

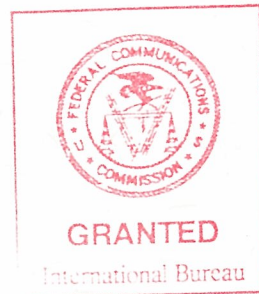
APPLICATION FOR EARTH STATION SPECIAL TEMPORARY AUTHORITY

APPLICANT INFORMATION Enter a description of this application to identify it on the main menu:
1.8-m station, Phase I IOT, initial 30 days (May 2009)

1. Applicant

Name:	TerreStar License Inc.	Phone Number:	703-483-7800
DBA Name:		Fax Number:	
Street:	12010 Sunset Hills Road	E-Mail:	doug.brandon@terrestar.com
City:	Reston	State:	VA
Country:	USA	Zipcode:	20190 -
Attention:	Mr Douglas I Brandon		

With Condition



File # SES-STA-20090523-00646

Call Sign _____ Grant Date 7/6/09
(or other identifier)

From 7/6/09 Term Dates To: 8/4/09

Approved: Stephen J. Duall
Stephen J. Duall
Chief, Policy Branch

Attachment

SES-STA-20090523-00646

Condition:

All operations shall be on an unprotected and non-harmful interference basis, i.e., TerreStar License Inc. shall not cause harmful interference to, and shall not claim protection from, interference caused to it by any other lawfully operating station and it shall cease transmission(s) immediately upon notice of such interference.

With Condition

File # SES-STA-20090523-00646

Call Sign _____ Grant Date 7/6/09
(or other identifier)

Term Dates
From 7/6/09 To: 8/4/09

Approved: _____
Stephen J. Duall
Stephen J. Duall
Chief, Policy Branch



2. Contact

Name:	Joseph A. Godles, Esq.	Phone Number:	202-429-4900
Company:	Goldberg Godles Wiener & Wright	Fax Number:	202-429-4912
Street:	1229 19th Street, NW	E-Mail:	jgodles@g2w2.com
City:	Washington	State:	DC
Country:	USA	Zipcode:	20036 -2413
Attention:		Relationship:	Legal Counsel

(If your application is related to an application filed with the Commission, enter either the file number or the IB Submission ID of the related application. Please enter only one.)

3. Reference File Number or Submission ID

4a. Is a fee submitted with this application?

- If Yes, complete and attach FCC Form 159. If No, indicate reason for fee exemption (see 47 C.F.R. Section 1.1114).
 Governmental Entity Noncommercial educational licensee
 Other (please explain):

4b. Fee Classification CGX – Fixed Satellite Transmit/Receive Earth Station

5. Type Request

- Use Prior to Grant Change Station Location Other

6. Requested Use Prior Date
07/01/2009

7. City North Las Vegas

8. Latitude
(dd mm ss.s h) 36 14 9.9 N

FCC NOTICE REQUIRED BY THE PAPERWORK REDUCTION ACT

The public reporting for this collection of information is estimated to average 2 hours per response, including the time for reviewing instructions, searching existing data sources, gathering and maintaining the required data, and completing and reviewing the collection of information. If you have any comments on this burden estimate, or how we can improve the collection and reduce the burden it causes you, please write to the Federal Communications Commission, AMD-PERM, Paperwork Reduction Project (3060-0678), Washington, DC 20554. We will also accept your comments regarding the Paperwork Reduction Act aspects of this collection via the Internet if you send them to PRA@fcc.gov. PLEASE DO NOT SEND COMPLETED FORMS TO THIS ADDRESS.

Remember – You are not required to respond to a collection of information sponsored by the Federal government, and the government may not conduct or sponsor this collection, unless it displays a currently valid OMB control number or if we fail to provide you with this notice. This collection has been assigned an OMB control number of 3060-0678.

THE FOREGOING NOTICE IS REQUIRED BY THE PAPERWORK REDUCTION ACT OF 1995, PUBLIC LAW 104-13, OCTOBER 1, 1995, 44 U.S.C. SECTION 3507.

REQUEST FOR SPECIAL TEMPORARY AUTHORITY

TerreStar License Inc. (“TerreStar”), pursuant to Section 25.120 of the Commission’s rules, hereby requests Special Temporary Authority (“STA”) to conduct in-orbit testing (“IOT”) of the TerreStar-1 satellite in the manner described below. This STA request covers IOT operations during the first of two IOT phases. During Phase 1, IOT will be conducted in the United States via the following three facilities: (1) TerreStar-1, a Canadian-licensed satellite as to which TerreStar holds a letter of intent (“LOI”) authorization (Call Sign S2633) to serve the United States; (2) the 9.3m antenna associated with TerreStar’s licensed gateway earth station located in North Las Vegas, Nevada (Call Sign E070098); and (3) an unlicensed 1.8-m mobile earth terminal (“MET”)¹ that will be co-located with TerreStar’s North Las Vegas gateway earth station. Phase I IOT also will be conducted via TerreStar’s other gateway earth station, which has been licensed by Industry Canada and is located at Allan Park, Ontario, Canada.

This exhibit describes the operational parameters during Phase I IOT for all three facilities that will be used to conduct IOT in the United States. A copy of this exhibit accompanies each of the STA requests TerreStar is filing in connection with Phase I IOT. The STA request form this exhibit is attached to identifies, for each Phase I IOT STA request: (1) the time period for which an STA is sought; and (2) the facility for which an STA is sought.

Based on discussions with the FCC’s staff, and in light of the fact that no FCC radio license has been issued for TerreStar-1, TerreStar is not filing any request for special temporary authority for the satellite in connection with IOT. Rather, TerreStar is identifying in the IOT STA requests relating to TerreStar’s gateway earth station in North Las Vegas the parameters for TerreStar-1’s operations during IOT that deviate from the parameters on which the LOI authorization for TerreStar-1 are based.

STA is required because the technical operations required for IOT go beyond the operations authorized by TerreStar’s FCC licenses and authorizations. In particular, TerreStar requires authority for the following operations that are not already authorized:

- TerreStar-1: Use of unmodulated (CW) carriers not covered by the LOI authorization and use of power levels higher than are authorized by the LOI authorization

¹ The 1.8-m MET, which will operate in a temporary fixed mode, uses a custom antenna that is designed for the express purpose of testing service link performance on TerreStar-1. The 1.8-m MET is entirely different from the MET handsets that will be used by TerreStar’s customers.

Exhibit 1

- NLV gateway: Use of 13.7505 GHz and 13.7525 GHz contingency telecommand carriers (the gateway license limits use of these frequencies to periods during which on-station telecommand operations cannot be conducted in the 12.75-13.0 GHz frequency band and requires an STA if the contingency on-station telecommand carriers will be used for more than five consecutive days)
- NLV gateway: Use of unmodulated (CW) carriers in the 12.75-13.25 GHz band that are not covered by the license and use of power levels higher than are authorized by the license (this STA request includes a Comsearch report reflecting temporary coordination of the unmodulated carriers)
- NLV gateway: Use of higher power and wider bandwidth for 12.751 and 12.999 GHz command carriers than is authorized by the license and corresponding changes to the emission designators for the carriers. The EIRP, EIRP density, and bandwidth of these command carriers have been increased to 72 dBW, 48.8 dBW, and 832 KHz, respectively, from what is currently licensed. (this STA request includes a Comsearch report reflecting temporary coordination of the higher power and wider bandwidth)
- NLV gateway: Feeder link transmissions on discrete frequencies in the upper half of the 12.75-13.25 GHz band (the gateway license authorizes transmissions only in the lower half of the band; this STA request includes a Comsearch report reflecting temporary coordination of the additional frequencies)
- NLV gateway: Use of a different polarization and higher power for the 12.992 GHz CW pilot signal than is authorized by the license (the license shows right hand polarization; left hand polarization will be used). The EIRP and EIRP density of the pilot signal has been increased to 80 dBW from what is currently licensed (this STA request includes a Comsearch report reflecting temporary coordination of the CW carriers).
- NLV gateway: Use of wider bandwidth for 13.7505 GHz and 13.7525 GHz contingency telecommand carriers than is authorized by the license and corresponding changes to the emission designators for the carriers. The bandwidth of these

Exhibit 1

command carriers have been increased to 832 KHz from what is currently licensed.

- NLV gateway: Use of wider bandwidth for 11.2005 GHz and 11.4495 GHz telemetry carriers than is authorized by the license and corresponding changes to the emission designators for the carriers. The bandwidth of these telemetry carriers have been increased to 400 KHz from what is currently licensed.
- NLV gateway: Use of 5 MHz carriers in the 12.75-13.00 GHz band that are not covered by the license (this STA request includes a Comsearch report reflecting temporary coordination of the 5 MHz carriers).²
- 1.8-m MET: Operation of this earth station, which has not been licensed

I. Introduction

TerreStar is scheduled to launch its TerreStar-1 satellite on June 24, 2009. Once the satellite has reached its assigned orbital position of 111.0° W.L., TerreStar will need to perform IOT of its communication payload to ensure that no components were damaged during the launch procedures. The IOT will be performed by employees of TerreStar's satellite contractor, Space Systems Loral ("Loral"), under TerreStar's direction and supervision.

The IOT will consist of two sequential phases. During Phase I, the satellite's primary components and communication payload will be tested, and engineers will obtain critical in-orbit performance measurements for the first time following the launch. During Phase II, the components related to its Satellite Beam-forming Network ("SBN") will be tested as engineers check the combined payload performance with the Ground-Based Beam Forming ("GBBF") network to determine how well various S-band beams are formed.

TerreStar is herein seeking STA to conduct Phase I testing. TerreStar will be submitting separate requests for STA to cover the Phase II testing in the near future, since Phase II testing cannot be performed until the Phase I IOT is completed and since Phase II testing will involve a different set of procedures and parameters from those used in Phase I.

The communication payload of the TerreStar-1 satellite consists of two repeater subsystems: one associated with the Forward channel and another one associated with the Return channel. The Forward channel refers to the Ku-to-S

Exhibit 1

band signal path that originates from a Ku-band gateway facility to the satellite, and then traverses to an S-band device on the ground: in this instance the 1.8-m IOT antenna. The Return channel refers to the reverse link, *i.e.*, from an S-band device such as the 1.8-m IOT antenna to the satellite and then back to the Ku-band gateway on the ground.

Table 1 below summarizes the types of signals along with their characteristics that will be employed in each of the Forward payload and Return payload Phase I tests.

II. Forward Payload Tests

The following key Forward payload tests are planned to be conducted:

- S-band EIRP test: The saturated EIRP for each of the 64 active S-band TW/TAs will be measured against the expected performance and specification, one at a time, using a steady CW signal. As can be seen in Table 1, the required Ku-band EIRP can be as high as 80 dBW because the uplink signal will be received by a relatively low-gain Ku-band IOT horn instead of the normal high-gain Ku-band communication antenna due to the need for an off-nominal satellite attitude.
- Frequency response test: A relatively low-power CW signal will be swept across the 10 MHz S-band (*i.e.* 2190-2200 MHz) to determine the in-band frequency response of all element paths.
- Fixed frequency/backed-off tests: A steady CW signal will be used to determine the path gain and transfer characteristics of all feed/element paths. Saturation flux density for the paths will also be determined. For gain transfer testing, the uplink EIRP will be swept from a low value to 80 dBW.
- Satellite feed path equalization test: A special signal, which consists of a large number of evenly spaced tones across the 5 MHz signal bandwidth, will be radiated to rapidly obtain the complex (*i.e.*, magnitude and phase) frequency response of each of the element paths. Additionally, it will obtain the differential path-to-path delays. Both the complex frequency response and the differential path-to-path delay are critical in the GBBF network.

Other relatively minor tests, such as determination of transponder gain steps, uplink/downlink translation frequency, and characterization of any spurious signals, also will be conducted.

Regarding the S-band downlink, TerreStar is conscious of its interference-related responsibilities with respect to Fixed Service (FS) stations that are operating co-channel with TerreStar in the 2190-2200 MHz band in some locations. TerreStar has selected frequencies for S-band IOT that are optimal for interference avoidance²; all IOT test signals will be short in duration; and the number of transmissions during the test period will be limited. TerreStar has conducted a study and determined that these transmissions all satisfy the interference-avoidance standards specified in TIA's Telecommunication System Bulletin (TSB) 86.

III. Return Payload Tests

The types of Return payload test signals along with their characteristics are described in Table 1 below. The following key Return payload tests are planned to be conducted:

- Receive antenna pattern test: Each pattern of the elementary beams in the satellite receive direction at S-band will be characterized by radiating a CW signal from the 1.8-m IOT antenna and by skewing the satellite attitude to move the beams across the Ku-band gateway facility at North Las Vegas.
- Transmit antenna pattern test: Each Ku-band gateway beam in the transmit direction will be characterized by radiating a CW beacon signal from the satellite while the satellite attitude is skewed to move the beams, one at a time, across the Ku-band gateway facility at North Las Vegas.
- Gain Transfer test: Saturation flux density for each elementary beam will be determined.
- Receive S-band G/T test: The G/T (Gain-to-Noise Temperature ratio) of each return channel will be determined via measurement of (C/N) in a narrow-band signal with the Ku-band TWTA operating in a linear region. The satellite will be in off-normal attitude.

² The frequencies are identified in Tables 1 and 2 below.

Exhibit 1

- Frequency response test: A relatively low-power CW signal will be swept across the 10 MHz S-band (*i.e.*, 2000-2010 MHz) to determine the in-band frequency response of all element paths.
- Satellite feed path equalization test: A special signal, which consists of a large number of evenly spaced tones across the 5 MHz signal bandwidth, will be radiated to rapidly obtain the complex (*i.e.*, magnitude and phase) frequency response of each of the element paths. Additionally, it will obtain the differential path-to-path delays. Both the complex frequency response and the differential path-to-path delay are critical in the GBBF network.

Other relatively minor tests, such as determination of transponder gain steps, uplink/downlink translation frequency, and characterization of any spurious signals, also will be conducted.

Regarding the IOT test signal transmissions at 2 GHz, TerreStar understands from Sprint's submissions to the Commission that BAS stations in both Las Vegas and the near-by Phoenix DMA clusters have been relocated from BAS channels 1 and 2 in the 1990-2025 MHz band.³ TerreStar has selected 2004.90 MHz and 2007.75 MHz for S-band IOT transmissions to eliminate the possibility of interference to any BAS receiver. The frequencies selected provide 18 MHz or more of separation between the TerreStar CW test signal and BAS users in the Las Vegas or Phoenix DMAs who have migrated to the new BAS channel plan above 2025 MHz.

IV. Contingency Telecommand Frequency Tests

Throughout Phase I testing, both on-station command carriers (transmitted at 12.751 GHz and 12.999 GHz) as well as contingency command carriers (transmitted at 13.7505 GHz and 13.7525 GHz) will be used to command and range the satellite. The contingency command carriers are necessary to command and range the satellite for those Phase I tests that require off-nominal attitude positioning of the satellite, which will position each of the elementary

³ Sprint's filings also show that the Los Angeles and Palm Spring DMA clusters, which are further removed from Las Vegas, are to be cleared by June 2009. Even if the Los Angeles and Palm Springs DMAs failed to transition on schedule to the new BAS channel plan in June, the elevation and azimuth angles of the 1.8 meter antenna would only cover the far eastern edge of the Mohave Desert. Moreover, the 1.8m antenna has excellent sidelobe suppression and off-axis discrimination characteristics. Finally, the 2007.75 MHz test frequency was selected because it resides at the upper edge of BAS channel A1 which will be immune to interference from the narrowband CW emission. Similarly, the 2004.9 MHz test frequency was selected because it resides at the upper edge of a BAS channel A1 emission that is narrowed in place which will be immune to interference from a narrowband CW emission.

Exhibit 1

beams under test over the main test site in North Las Vegas. The 13.7505 GHz and 13.7525 GHz signals will be transmitted in bursts lasting approximately two minutes. During the first few days of IOT, ranging signals will be transmitted once every half hour. After that, the signals will be transmitted once every hour.

V. Conclusion

TerreStar's request for STA is supported by good cause. Grant of the instant STA request is in the public interest, as it will enable TerreStar to perform in-orbit testing on its TerreStar-1 satellite and ensure the proper functioning of the satellite's communications payload in anticipation of providing service to the public over the satellite and the network's gateway antennas.

Exhibit 1

Table 1. TerreStar Satellite IOT Test Signal Characteristics

<u>Forward Payload Tests</u>	S-band EIRP (in dBW)	Bandwidth Used	S-band Frequency (in MHz)	Estimated Duration for each Test Signal Transmission (in minutes; see Notes 1 & 2)	Estimated Number of Instances of Test Signal Transmission (see Note 1)	Ku-band EIRP from/at NILV (in dBW)	Ku-band Frequency (in MHz)
S-band EIRP Test	57.6	CW	2199,900 2193,609	1	150	80	(see Table 2)
Frequency Response Test	45.6	10 MHz swept CW	2190-2200	2	140	62	12750-13250
Fixed-Frequency/backed-off Tests	45.6	CW	2199,900 2193,609	2	200	62	(see Table 2)
Satellite Feed Path Equalization Test	51.6	5 MHz	2190-2200	60	50	62	12750-13250 (see Note 3)
<u>Return Payload Tests</u>							
Receive Antenna Pattern Test	37	CW	2007.75	N/A	N/A	15	10700-10950 11200-11450
Transmit Antenna Pattern Test	N/A	N/A	N/A	N/A	N/A	21	11448
Gain Transfer Test	37	CW	2007.75 (NILV) 2004.90 (APK)	N/A	N/A	33	10700-10950 11200-11450
Receive S-band G/T Test	20	CW	2007.75 (NILV) 2004.90 (APK)	N/A	N/A	33	10700-10950 11200-11450
Frequency Response Test	20	10 MHz swept CW	2000-2010	N/A	N/A	33	10700-10950 11200-11450
Satellite Feed Path Equalization Test	35.5	5 MHz	2000-2010	N/A	N/A	13.5	10700-10950 11200-11450

Note 1: Each 10 MHz sweep or each forward path testing using a steady CW is considered as one Test Signal Transmission.

Note 2: Duration is the duration of the actual signal transmission (and therefore interference) and does not include the time it takes to maneuver the satellite or position the beams.

Note 3: Ku-band transmission from NILV will be in 12750-13000 MHz; that from AP will be in 13000-13250 MHz.

Note 4: All entries are estimates

Exhibit 1

Table 2. Ku-band Element Frequencies that correspond to Two S-band Test Signal Frequencies in Forward Payload Tests

Element No.	<u>S-band 2199.9 MHz</u>		Element No.	<u>S-band 2193.609 MHz</u>	
	Frequency	MHz		Frequency	MHz
1	12764.9	MHz	1	13008.609	MHz
2	12771.9	MHz	2	13015.609	MHz
3	12778.9	MHz	3	13022.609	MHz
4	12785.9	MHz	4	13029.609	MHz
5	12792.9	MHz	5	13036.609	MHz
6	12799.9	MHz	6	13043.609	MHz
7	12806.9	MHz	7	13050.609	MHz
8	12813.9	MHz	8	13057.609	MHz
9	12820.9	MHz	9	13064.609	MHz
10	12827.9	MHz	10	13071.609	MHz
11	12834.9	MHz	11	13078.609	MHz
12	12841.9	MHz	12	13085.609	MHz
13	12848.9	MHz	13	13092.609	MHz
14	12855.9	MHz	14	13099.609	MHz
15	12862.9	MHz	15	13106.609	MHz
16	12869.9	MHz	16	13113.609	MHz
17	12876.9	MHz	17	13120.609	MHz
18	12883.9	MHz	18	13127.609	MHz
19	12890.9	MHz	19	13134.609	MHz
20	12897.9	MHz	20	13141.609	MHz
21	12904.9	MHz	21	13148.609	MHz
22	12911.9	MHz	22	13155.609	MHz
23	12918.9	MHz	23	13162.609	MHz
24	12925.9	MHz	24	13169.609	MHz
25	12932.9	MHz	25	13176.609	MHz
26	12939.9	MHz	26	13183.609	MHz
27	12946.9	MHz	27	13190.609	MHz
28	12953.9	MHz	28	13197.609	MHz
29	12960.9	MHz	29	13204.609	MHz
30	12967.9	MHz	30	13211.609	MHz
31	12974.9	MHz	31	13218.609	MHz
32	12981.9	MHz	32	13225.609	MHz

S

DOC CODE: SW

Document No.: E-TBD

Revision No.

3825 Fabian Way

1.0

Palo Alto, CA 94303-4604

CAGE 0DJH2

TerreStar IOT S-Band Antenna System Performance Requirements Specification

This document contains data and information proprietary to Space Systems / Loral. This data shall not be disclosed, disseminated, or reproduced, in whole or in part, without the express prior written consent of Space System / Loral.

PROGRAM:	PRIME CONTRACT NO.:
RESPONSIBLE ENGINEER	PROGRAM OFFICE
GROUND SEGMENT MANAGER	
MISSION OPERATIONS	PRODUCT ASSURANCE
	RELEASE DATE: 12
	Page 1 of 12



CHANGE RECORD PAGE

Change Number	Reason For Change	Affected Pages



TABLE OF CONTENTS

1.0 SCOPE.....3

1.1 OVERVIEW.....3

2.0 APPLICABLE DOCUMENTS5

3.0 REQUIREMENTS5

3.1 GENERAL REQUIREMENTS5

3.2 PERFORMANCE REQUIREMENTS5

3.2.1 Antenna subsystem.....5

3.2.2 LNA.....7

3.2.3 SSPA.....7

3.2.4 SYSTEM.....8

3.2.5 Up/Down conversion.....8

3.2.6 Test Couplers9

3.2.7 Ground Equipment Monitor and Control Subsystem.....9

3.2.8 Standalone Transportable Rack.....9

3.2.9 Spare Parts List9

3.3 INTERFACE REQUIREMENTS.....10

3.4 OTHERS11

TABLE OF FIGURES

Figure 1. Simplified Block Diagram of Deliverable IOT S-Band Antenna System4

1.0 SCOPE

The TerreStar program requires an S-Band antenna system at the TerreStar ground facility in North Las Vegas to support In-Orbit Testing of TerreStar's S-Band payload. This antenna system shall be transportable and will also be used at yet to be determined site(s) to support further testing of the spacecraft communications payload subsystem. This document defines the technical requirements of the S-Band antenna system. Other programmatic requirements are specified in the referenced Statement of Work identified in Section 2 of this document.

1.1 OVERVIEW

The TerreStar IOT S-Band Antenna System will be installed at the TerreStar Ground Facility which is located in North Las Vegas. This facility provides TT&C supports for the TerreStar spacecraft, and is one of the gateway sites for the Space Based Communications Network. IOT campaign will be conducted at this facility, using the deliverable IOT S-Band Antenna Subsystem along with other IOT equipment that SSL will provide. After the initial testing at the North Las Vegas facility is complete, the deliverable IOT S-Band Antenna System will be transported to and set up at other location(s) to support further testing of the spacecraft payload subsystem. For this reason, it is essential that the S-Band Antenna System must be transportable, and can be set up and tear down by a crew of two.

The deliverable IOT S-Band Antenna System consists of the necessary antenna assembly, selective uplink and downlink RF components, and optional equipment Monitor and Control (M&C) subsystem. A simplified block diagram of the deliverable antenna system is shown in Figure 1 below.

The deliverable system shall have built-in equipment M&C capability that provide for central control and status monitoring of relevant equipment. (see Figure 1 for details.) It shall also support equipment M&C by remote user.

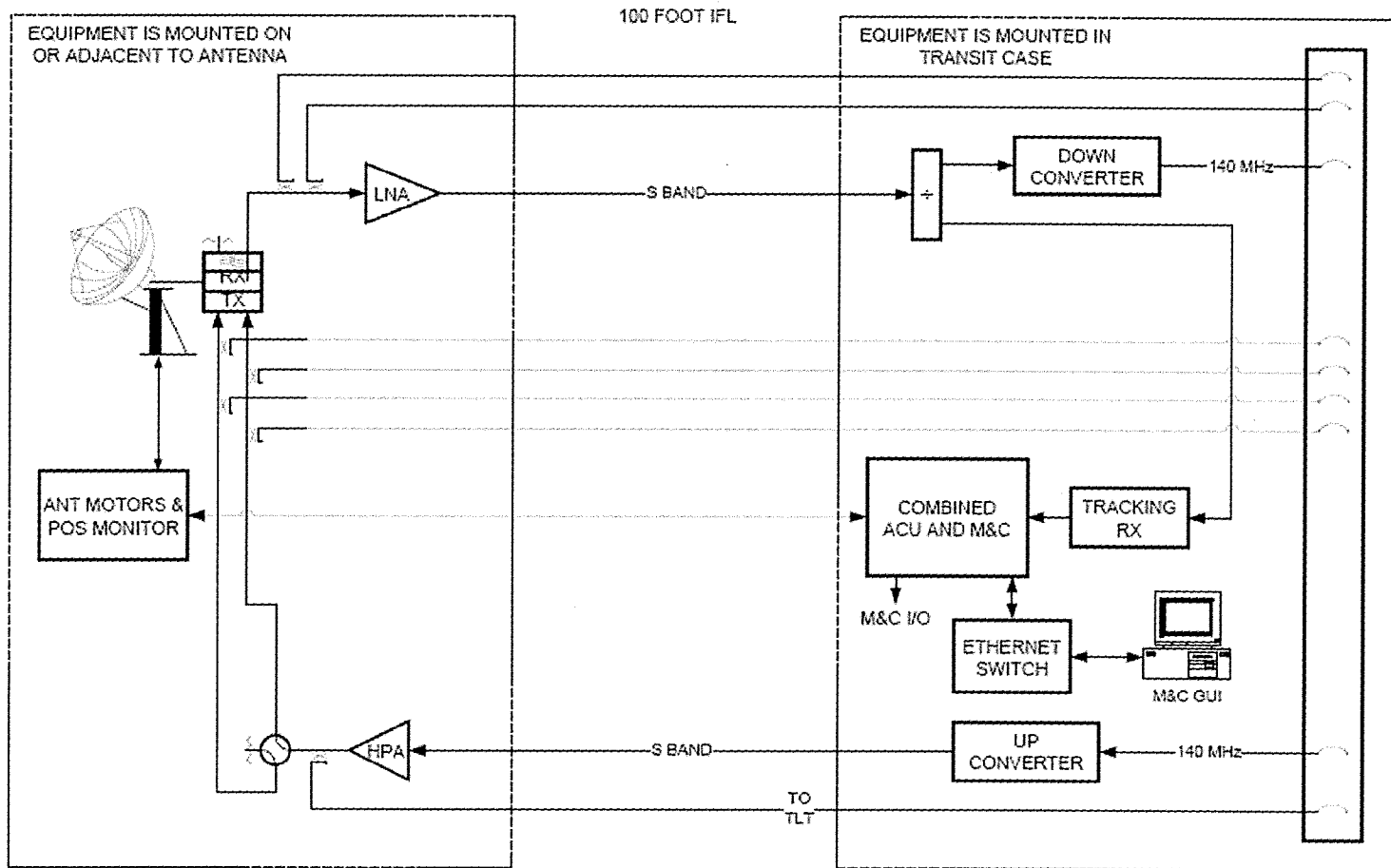


Figure 1. Simplified Block Diagram of Deliverable IOT S-Band Antenna System

2.0 APPLICABLE DOCUMENTS

- 1) TerreStar IOT S-Band Antenna Subcontract Statement of Work, doc number: E-TBD

3.0 REQUIREMENTS

3.1 GENERAL REQUIREMENTS

The deliverable antenna system shall provide the capability to support TerreStar In-Orbit Test. It shall be capable of autonomously tracking the spacecraft as the spacecraft makes its daily figure-eight movements in orbit. It shall also be capable of program track based on externally provided 2-line element set. The system shall be capable of supporting IOT operations with the spacecraft positioned at the required orbital location. At this orbital location, the IOT antenna shall be pointed to the nominal direction of approx. 111 West with inclination of 6 degrees (eccentricity = 0);

The system shall be transportable. It shall be capable of being setup and tear down by a crew of up to two people. It shall have design features that allow the antenna assembly to be set up in leveled and stable ground, with or without concrete foundation or support. The equipment assembly shall be contained in self-contained transportable rack enclosures. Each rack assembly shall require no more than two person to lift and set up.

The system shall support the space-to-ground interface required for IOT operations. It shall also support interface with Customer Furnished Equipment (CFE) necessary to conduct IOT.

3.2 PERFORMANCE REQUIREMENTS

The system and its subsystem elements shall be capable of performance characteristics defined in this section.

3.2.1 Antenna subsystem

The antenna subsystem shall consist of the antenna assembly, antenna control unit, power control unit, tracking receiver, etc. This section defines requirements associated with the antenna subsystem.

PARAMETER	SPEC
Antenna Type	Limited-motion steerable, Az-El mount

Reflector feed	Centre or offset fed
Reflector Size	1.8 meter (nominal)
Tracking	Program and manual
Drive Mechanism	Azimuth Anti-backlash, precision steel teeth gear drive Elevation Jackscrew
Antenna Control Unit (ACU)	Indoor unit with multi-position memory
Sky Coverage	EI = 10 to 90 degrees; Az = +/- 90 degrees (TBC) minimum
Location Preferred	ground or pole mounting
Weight limits	TBD and design should minimize single point loads and offer load spreading plate options
Interfaces	Data interfaces for PC, modem, printer & GPS
Remote Controller	Remote Windows based PC capability
Power requirements	Capable of operating from NLV local mains (UPS) supply
Rx Frequency, MHz	2180 – 2200
Tx Frequency, MHz	2000 – 2020
Antenna Gain, Rx band, dB min	28.3 ¹
Antenna Gain, Tx band, dB min	27.5
Polarization	LHCP for RX, selectable LHCP or RHCP for TX
Axial ratio (dB max)	1.5
Antenna Pattern Requirements	Per FCC Part 25 outside of main beam and first sidelobe (+10°)
Noise Temperature at 35 degree elevation, K max	80
VSWR Rx and Tx bands, max	1.3 (equivalent to 17.7 dB return loss)
Loss in Polarizer and filter, dB max	1.5
Rejection of Tx frequencies at the LNB Input, dB min	78
Tracking Loss without wind, dB max	0.25
Wind Load, Operational, MPH	60 (TBC)
Tracking Loss AT MAX Operational Wind of 80 mph, dB MAX	NA (Testing will stop if high winds occur)
Wind Load, Survival, MPH	120
Operating Temperature, degree C	-15 to + 50

¹ Gain measurements with accuracy of better than +/- 0.5 dB shall be required upon final measurement of the antenna

3.2.2 LNA

PARAMETER	SPEC
Frequency, MHz	2180 – 2200
Gain, dB	50 - 65
Gain Flatness	≤ 1.0 dB across the 20 MHz band
Noise Figure, dB	60°K or 0.9 dB @ 50 deg C Note Guaranteed G/T of 5 dB/K exceeds original requirement.
Output 1dB compression point, min	5 dBm
Input third-order intercept point, min	-55 dBm
RX input signal range	-110 to -90 (TBC) dBm single carrier -85dBm (composite)
Unconditional Stability	Unconditionally stable with any input or output load conditions at any phase angle

3.2.3 SSPA

Parameter	spec
Tx Frequency, MHz	2000 – 2020
Output Power, Watt	50
P _{1-dB} , Watt minimum	40
Gain, dB	70 (TBC)
Gain Flatnes, dB	+/-0.3 dB/40 MHz, +/-0.5 dB/full band
Gain Stability, max	Gain Stability 1.5 dB over -40 to +50°C
Output Dynamic Range and Power Control	20 dB in 1 dB intervals
Noise Figure, dB max	11 at max gain
NUMBER OF CARRIERS AND MODULATION TYPE OF EACH CARRIER	1
Max Output Power When Carrier Off	0 dBm typical
Phase Noise	TBD
AM/PM Conversion, %/dB, max	3.5 at P _{1-dB}
Unconditional Stability	Unconditionally stable with any input or output load conditions at any phase angle. The HPA is protected against all load VSWR values.
Output Spurious	Per FCC, and CCIF requirements
Input VSWR, max	1.3
Output VSWR, max	1.3
Intermodulation Requirement, dBc max	-25 at 3 dB backoff from P _{1-dB}
Fault Condition Detection and Response to Fault Conditions	Required

3.2.4 SYSTEM

Parameter	spec
EIRP	Minimum of 40 dBW @ (HPA operating at 3dB backoff power)
G/T	Minimum of 4.5 dB/K
Environmental	Antenna assembly, including interconnect cables and waveguide shall be designed for outdoor use. Equipment installed in transportable rack enclosures shall be designed for use in sheltered environment.
Operating	
Temperature, deg C	-15 to + 50
Survival	
Temperature, deg C	-50 to + 70
Grounding	
Lightning and Surge Protection	Per standard commercial practice. Surge protectors are proposed on all cables.
Regulatory Requirements	
SAFETY	Per ANSI and UL
EMISSIONS	Per CFR 47, FCC Part 15 (Excluding Transmit Band)
IMMUNITY	Per standard commercial practice.
Fault Condition Detection, Alarm, and Response to Fault Conditions	TBD
Maintenance	Minimum maintenance required. Easy access to all parts requiring any maintenance
Spares	Any low cost, consumable spare parts to be provided at outset. Supplier contact details and all part type / serial numbers to be provided.
Warranty	1 year warranty with extension options
Technical Support	Access to technical support cost options required for (i) during normal office hours (ii) 24 x 7

3.2.5 Up/Down conversion

Both in transmit and receive direction, it shall be possible to interface the antenna system with communications equipment operating at 140 MHz. As a consequence, suitable upconverter and downconverter shall be provided as well as patch panel for interface at the 140 MHz frequency.

3.2.6 Test Couplers

Two Inline 30 dB couplers shall be provided in the both uplink and downlink signal paths. In the downlink signal path, coupler shall be provided between antenna and input to LNA, in order for test signal be injected to the LNA via the test coupler. In the uplink signal path, coupler shall be installed prior to antenna connector. The test coupler shall support measurement of uplink transmitter power. Two sets of separate couplers are required for the uplink transmitter power monitoring; two for RHCP path and two for LHCP path. All Couplers should be calibrated across the band in 4 MHz intervals.

3.2.7 Ground Equipment Monitor and Control Subsystem

The optional Ground Equipment Monitor and Control (M&C) Subsystem software shall monitor and control all relevant ground TT&C station equipment, including:

- a. Antenna and associated equipment, such as tracking receiver, and ACU;
- b. RF equipment, such as HPA, LNA;
- c. Up and down conversion equipment
- d. Signal routing switches

The M&C software shall provide the capability for the operator to perform interactive ground equipment control and status monitor functions.

Manual Control. Relevant ground station equipment shall be capable of being manually controlled from the equipment front panel or other means. It shall be possible to manually override the remote control of the equipment.

Displays. The M&C software shall provide the capability for ground equipment control and status monitoring by an operator using block diagram displays (mimics).

3.2.8 Standalone Transportable Rack

A standalone transportable shall be provided for use by the purchaser to install their own equipment.

3.2.9 Spare Parts List

The list of spares in the following table shall be provided:

Description	Quantity
Low Noise Amplifier (LNA)	1
High Power Amplifier (HPA)	1
Antenna Control spare kit	1
Tracking receiver	1
Upconverter	1
Downconverter	1

3.3 INTERFACE REQUIREMENTS

Refer to Figure 1 for interface described in this section.

Interface points for access to signals should be at an easily accessible point, i.e. a rack mount panel with Type N connectors.

At a minimum, the following access points shall be provided:

- 1) S Band Transmitter input
- 2) S Band LNA Output
- 3) LHCP Uplink Power Coupler monitor
- 4) RHCP Uplink Power Coupler monitor
- 5) Downlink Coupler inject
- 6) 140 MHz IF Input
- 7) 140 MHz IF Output
- 8) TLT Input

9) TLT Output

10)Polarization Switch Control (connector TBD)

11)Ground Equipment Monitor and Control

3.4 OTHERS

System calibration data shall be provided. The measurements should be made across the band of interest in 4 MHz. steps.

Exterior cables and connectors shall be designed for outdoor use and “weatherized” to help protect from rust/corrosion.