

Radiation Hazard Study

Prodelin 1123

This study analyzes the potential Radio Frequency (RF) human exposure levels caused by the Electro Magnetic (EM) fields of the above-captioned antenna. The mathematical analysis performed below complies with the methods described in the Federal Communications Commission Office of Engineering and Technology Bulletin No. 65 (1985 rev. 1997) R&O 96-326.

Maximum Permissible Exposure

There are two separate levels of exposure limits. The first applies to persons in the general population who are in an uncontrolled environment. The second applies to trained personnel in a controlled environment. According to 47 C.F.R. § 1.1310, the Maximum Permissible Exposure (MPE) limits for frequencies above 1.5 GHz are as follows:

- General Population / Uncontrolled Exposure 1.0 mW/cm²
- Occupational / Controlled Exposure 5.0 mW/cm²

The purpose of this study is to determine the power flux density levels for the earth station under study as compared with the MPE limits. This comparison is done in each of the following regions:

1. Far-field region
2. Near-field region
3. Transition region
4. The region between the feed and the antenna surface
5. The main reflector region
6. The region between the antenna edge and the ground

Input Parameters

The following input parameters were used in the calculations:

| <u>Parameter</u> | <u>Value</u> | <u>Unit</u> | <u>Symbol</u> |
|-----------------------------|--------------|-------------|---------------|
| Antenna Diameter: | 1.2 | m | <i>D</i> |
| Antenna Transmit Gain: | 43.20 | dBi | <i>G</i> |
| Transmit Frequency: | 14250 | MHz | <i>f</i> |
| Feed Flange Diameter: | 13.30 | cm | <i>d</i> |
| Power Input to the Antenna: | 21.60 | W | <i>P</i> |

Calculated Parameters

The following values were calculated using the above input parameters and the corresponding formulas.

| <u>Parameter</u> | <u>Value</u> | <u>Unit</u> | <u>Symbol</u> | <u>Formula</u> |
|-----------------------|--------------|-----------------|---------------|--------------------------|
| Antenna Surface Area: | 1.13 | m ² | <i>A</i> | $\pi D^2/4$ |
| Area of Feed Flange: | 138.93 | cm ² | <i>a</i> | $\pi d^2/4$ |
| Antenna Efficiency: | 0.65 | | η | $G\lambda^2/(\pi^2 D^2)$ |
| Gain Factor: | 20892.96 | | <i>g</i> | $10^{G/10}$ |
| Wavelength: | 0.0211 | m | λ | $300/f$ |

Behavior of EM Fields as a Function of Distance

The behavior of the characteristics of EM fields varies depending on the distance from the radiating antenna. These characteristics are analyzed in three primary regions: the near-field region, the far-field region and the transition region. Of interest also are the region between the antenna main reflector and the subreflector, the region of the main reflector area and the region between the main reflector and ground.

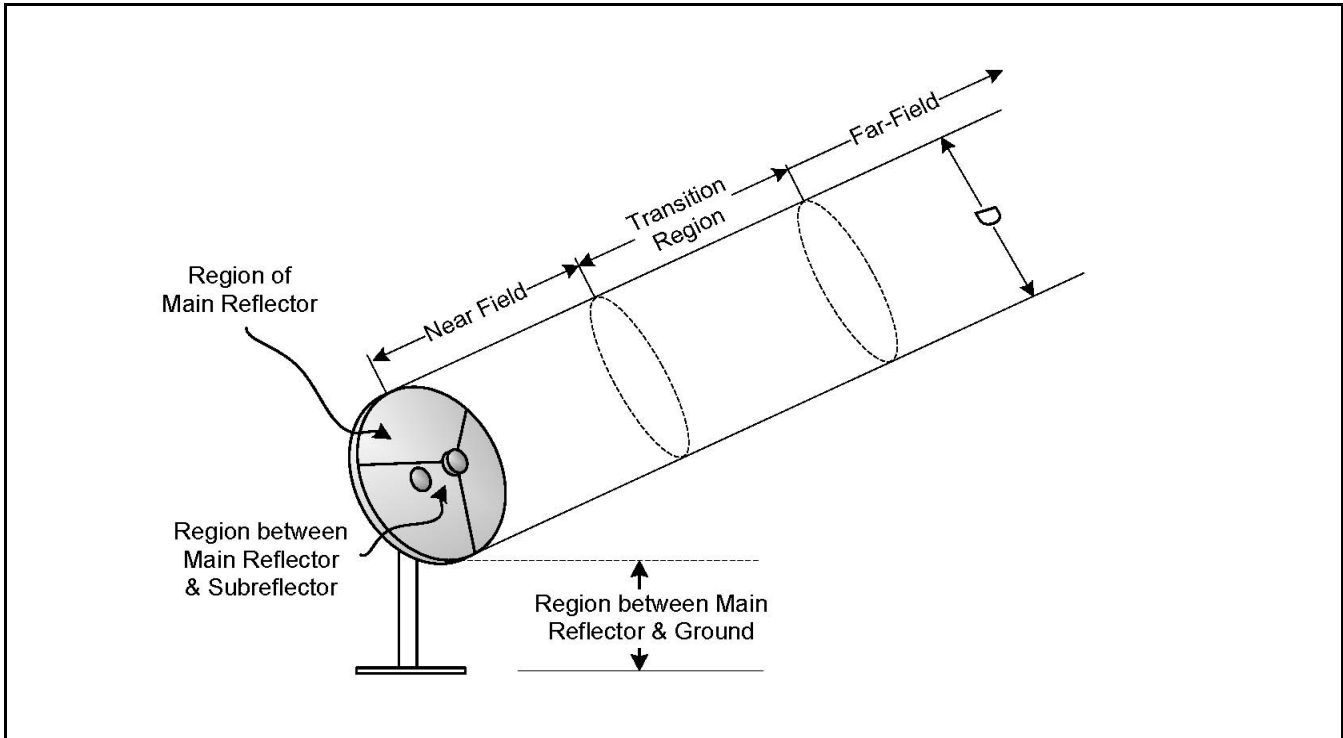


Figure 1. EM Fields as a Function of Distance

For parabolic aperture antennas with circular cross sections, such as the antenna under study, the near-field, far-field and transition region distances are calculated as follows:

| <u>Parameter</u> | <u>Value</u> | <u>Unit</u> | <u>Formula</u> |
|-------------------------------|--------------|-------------|------------------------------|
| Near Field Distance: | 17.100 | m | $R_{nf} = D^2/(4\lambda)$ |
| Distance to Far Field: | 41.040 | m | $R_{ff} = 0.60D^2/(\lambda)$ |
| Distance of Transition Region | 17.100 | m | $R_t = R_{nf}$ |

The distance in the transition region is between the near and far fields. Thus, $R_{nf} \leq R_t \leq R_{ff}$. However, the power density in the transition region will not exceed the power density in the near-field. Therefore, for purposes of the present analysis, the distance of the transition region can equate the distance to the near-field.

Power Flux Density Calculations

The power flux density is considered to be at a maximum through the entire length of the near-field. This region is contained within a cylindrical volume with a diameter, D, equal to the diameter of the antenna. In the transition region and the far-field, the power density decreases inversely with the square of the distance. The following equations are used to calculate power density in these regions.

| <u>Parameter</u> | <u>Value</u> | <u>Unit</u> | <u>Symbol</u> | <u>Formula</u> |
|------------------------------------|--------------|--------------------|---------------|---------------------------|
| Power Density in the Near-Field | 4.978 | mW/cm ² | S_{nf} | $16.0 \eta P / (\pi D^2)$ |
| Power Density in the Far-Field | 2.132 | mW/cm ² | S_{ff} | $GP / (4\pi R_{ff}^2)$ |
| Power Density in the Trans. Region | 4.978 | mW/cm ² | S_t | $S_{nf} R_{nf} / (R_t)$ |

The region between the main reflector and the subreflector is confined within a conical shape defined by the feed assembly. The most common feed assemblies are waveguide flanges. This energy is determined as follows:

| <u>Parameter</u> | <u>Value</u> | <u>Unit</u> | <u>Symbol</u> | <u>Formula</u> |
|----------------------------------|--------------|--------------------|---------------|----------------|
| Power Density at the Feed Flange | 621.9 | mW/cm ² | S_{fa} | $4P / a$ |

The power density in the main reflector is determined similarly to the power density at the feed flange; except that the area of the reflector is used.

| <u>Parameter</u> | <u>Value</u> | <u>Unit</u> | <u>Symbol</u> | <u>Formula</u> |
|---------------------------------|--------------|--------------------|---------------|----------------|
| Power Density at Main Reflector | 7.639 | mW/cm ² | $S_{surface}$ | $4P / A$ |

The power density between the reflector and ground, assuming uniform illumination of the reflector surface, is calculated as follows:

| <u>Parameter</u> | <u>Value</u> | <u>Unit</u> | <u>Symbol</u> | <u>Formula</u> |
|--|--------------|--------------------|---------------|----------------|
| Power Density between Reflector and Ground | 1.910 | mW/cm ² | S_g | P / A |

Table 1 summarizes the calculated power flux density values for each region. In a controlled environment, the only regions that exceed FCC limitations are shown below. These regions are only accessible by trained technicians who, as a matter of procedure, turn off transmit power before performing any work in these areas.

| Power Densities | mW/cm2 | Controlled Environment (5 mW/cm2) |
|--|---------------|--|
| Far Field Calculation | 2.132 | Satisfies FCC Requirements |
| Near Field Calculation | 4.978 | Satisfies FCC Requirements |
| Transition Region | 4.978 | Satisfies FCC Requirements |
| Region between Main and Subreflector | 621.9 | Exceeds Limitations |
| Main Reflector Region | 7.639 | Exceeds Limitations |
| Region between Main Reflector and Ground | 1.910 | Satisfies FCC Requirements |

Table 1. Power Flux Density for Each Region

In conclusion, the results show that the antenna, in a controlled environment, and under the proper mitigation procedures, meets the guidelines specified in 47 C.F.R. § 1.1310.

Radiation Hazard Study

Prodelin 1132

This study analyzes the potential Radio Frequency (RF) human exposure levels caused by the Electro Magnetic (EM) fields of the above-captioned antenna. The mathematical analysis performed below complies with the methods described in the Federal Communications Commission Office of Engineering and Technology Bulletin No. 65 (1985 rev. 1997) R&O 96-326.

Maximum Permissible Exposure

There are two separate levels of exposure limits. The first applies to persons in the general population who are in an uncontrolled environment. The second applies to trained personnel in a controlled environment. According to 47 C.F.R. § 1.1310, the Maximum Permissible Exposure (MPE) limits for frequencies above 1.5 GHz are as follows:

- General Population / Uncontrolled Exposure 1.0 mW/cm²
- Occupational / Controlled Exposure 5.0 mW/cm²

The purpose of this study is to determine the power flux density levels for the earth station under study as compared with the MPE limits. This comparison is done in each of the following regions:

1. Far-field region
2. Near-field region
3. Transition region
4. The region between the feed and the antenna surface
5. The main reflector region
6. The region between the antenna edge and the ground

Input Parameters

The following input parameters were used in the calculations:

| <u>Parameter</u> | <u>Value</u> | <u>Unit</u> | <u>Symbol</u> |
|-----------------------------|--------------|-------------|---------------|
| Antenna Diameter: | 1.2 | m | <i>D</i> |
| Antenna Transmit Gain: | 43.30 | dBi | <i>G</i> |
| Transmit Frequency: | 14125 | MHz | <i>f</i> |
| Feed Flange Diameter: | 14.60 | cm | <i>d</i> |
| Power Input to the Antenna: | 20.80 | W | <i>P</i> |

Calculated Parameters

The following values were calculated using the above input parameters and the corresponding formulas.

| <u>Parameter</u> | <u>Value</u> | <u>Unit</u> | <u>Symbol</u> | <u>Formula</u> |
|-----------------------|--------------|-----------------|---------------|--------------------------|
| Antenna Surface Area: | 1.13 | m ² | <i>A</i> | $\pi D^2/4$ |
| Area of Feed Flange: | 167.42 | cm ² | <i>a</i> | $\pi d^2/4$ |
| Antenna Efficiency: | 0.68 | | η | $G\lambda^2/(\pi^2 D^2)$ |
| Gain Factor: | 21379.62 | | <i>g</i> | $10^{G/10}$ |
| Wavelength: | 0.0212 | m | λ | $300/f$ |

Behavior of EM Fields as a Function of Distance

The behavior of the characteristics of EM fields varies depending on the distance from the radiating antenna. These characteristics are analyzed in three primary regions: the near-field region, the far-field region and the transition region. Of interest also are the region between the antenna main reflector and the subreflector, the region of the main reflector area and the region between the main reflector and ground.

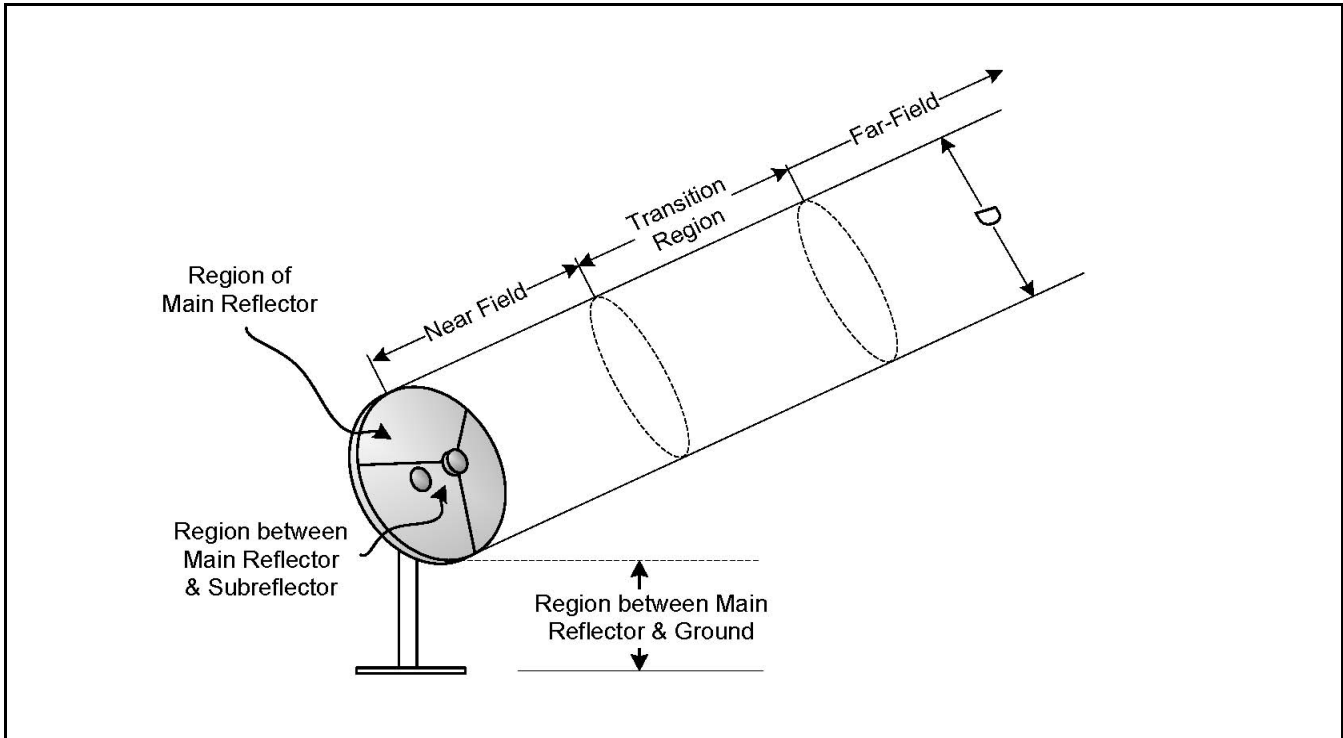


Figure 1. EM Fields as a Function of Distance

For parabolic aperture antennas with circular cross sections, such as the antenna under study, the near-field, far-field and transition region distances are calculated as follows:

| Parameter | Value | Unit | Formula |
|-------------------------------|--------|------|------------------------------|
| Near Field Distance: | 16.950 | m | $R_{nf} = D^2/(4\lambda)$ |
| Distance to Far Field: | 40.680 | m | $R_{ff} = 0.60D^2/(\lambda)$ |
| Distance of Transition Region | 16.950 | m | $R_t = R_{nf}$ |

The distance in the transition region is between the near and far fields. Thus, $R_{nf} \leq R_t \leq R_{ff}$. However, the power density in the transition region will not exceed the power density in the near-field. Therefore, for purposes of the present analysis, the distance of the transition region can equate the distance to the near-field.

Power Flux Density Calculations

The power flux density is considered to be at a maximum through the entire length of the near-field. This region is contained within a cylindrical volume with a diameter, D, equal to the diameter of the antenna. In the transition region and the far-field, the power density decreases inversely with the square of the distance. The following equations are used to calculate power density in these regions.

| <u>Parameter</u> | <u>Value</u> | <u>Unit</u> | <u>Symbol</u> | <u>Formula</u> |
|------------------------------------|--------------|--------------------|---------------|---------------------------|
| Power Density in the Near-Field | 4.992 | mW/cm ² | S_{nf} | $16.0 \eta P / (\pi D^2)$ |
| Power Density in the Far-Field | 2.138 | mW/cm ² | S_{ff} | $GP / (4\pi R_{ff}^2)$ |
| Power Density in the Trans. Region | 4.992 | mW/cm ² | S_t | $S_{nf} R_{nf} / (R_t)$ |

The region between the main reflector and the subreflector is confined within a conical shape defined by the feed assembly. The most common feed assemblies are waveguide flanges. This energy is determined as follows:

| <u>Parameter</u> | <u>Value</u> | <u>Unit</u> | <u>Symbol</u> | <u>Formula</u> |
|----------------------------------|--------------|--------------------|---------------|----------------|
| Power Density at the Feed Flange | 497.0 | mW/cm ² | S_{fa} | $4P / a$ |

The power density in the main reflector is determined similarly to the power density at the feed flange; except that the area of the reflector is used.

| <u>Parameter</u> | <u>Value</u> | <u>Unit</u> | <u>Symbol</u> | <u>Formula</u> |
|---------------------------------|--------------|--------------------|---------------|----------------|
| Power Density at Main Reflector | 7.356 | mW/cm ² | $S_{surface}$ | $4P / A$ |

The power density between the reflector and ground, assuming uniform illumination of the reflector surface, is calculated as follows:

| <u>Parameter</u> | <u>Value</u> | <u>Unit</u> | <u>Symbol</u> | <u>Formula</u> |
|--|--------------|--------------------|---------------|----------------|
| Power Density between Reflector and Ground | 1.839 | mW/cm ² | S_g | P / A |

Table 1 summarizes the calculated power flux density values for each region. In a controlled environment, the only regions that exceed FCC limitations are shown below. These regions are only accessible by trained technicians who, as a matter of procedure, turn off transmit power before performing any work in these areas.

| Power Densities | mW/cm2 | Controlled Environment (5 mW/cm2) |
|--|---------------|--|
| Far Field Calculation | 2.138 | Satisfies FCC Requirements |
| Near Field Calculation | 4.992 | Satisfies FCC Requirements |
| Transition Region | 4.992 | Satisfies FCC Requirements |
| Region between Main and Subreflector | 497.0 | Exceeds Limitations |
| Main Reflector Region | 7.356 | Exceeds Limitations |
| Region between Main Reflector and Ground | 1.839 | Satisfies FCC Requirements |

Table 1. Power Flux Density for Each Region

In conclusion, the results show that the antenna, in a controlled environment, and under the proper mitigation procedures, meets the guidelines specified in 47 C.F.R. § 1.1310.

Radiation Hazard Study

Prodelin 1134

This study analyzes the potential Radio Frequency (RF) human exposure levels caused by the Electro Magnetic (EM) fields of the above-captioned antenna. The mathematical analysis performed below complies with the methods described in the Federal Communications Commission Office of Engineering and Technology Bulletin No. 65 (1985 rev. 1997) R&O 96-326.

Maximum Permissible Exposure

There are two separate levels of exposure limits. The first applies to persons in the general population who are in an uncontrolled environment. The second applies to trained personnel in a controlled environment. According to 47 C.F.R. § 1.1310, the Maximum Permissible Exposure (MPE) limits for frequencies above 1.5 GHz are as follows:

- General Population / Uncontrolled Exposure 1.0 mW/cm²
- Occupational / Controlled Exposure 5.0 mW/cm²

The purpose of this study is to determine the power flux density levels for the earth station under study as compared with the MPE limits. This comparison is done in each of the following regions:

1. Far-field region
2. Near-field region
3. Transition region
4. The region between the feed and the antenna surface
5. The main reflector region
6. The region between the antenna edge and the ground

Input Parameters

The following input parameters were used in the calculations:

| <u>Parameter</u> | <u>Value</u> | <u>Unit</u> | <u>Symbol</u> |
|-----------------------------|--------------|-------------|---------------|
| Antenna Diameter: | 1.2 | m | <i>D</i> |
| Antenna Transmit Gain: | 43.00 | dBi | <i>G</i> |
| Transmit Frequency: | 14250 | MHz | <i>f</i> |
| Feed Flange Diameter: | 14.60 | cm | <i>d</i> |
| Power Input to the Antenna: | 22.70 | W | <i>P</i> |

Calculated Parameters

The following values were calculated using the above input parameters and the corresponding formulas.

| <u>Parameter</u> | <u>Value</u> | <u>Unit</u> | <u>Symbol</u> | <u>Formula</u> |
|-----------------------|--------------|-----------------|---------------|--------------------------|
| Antenna Surface Area: | 1.13 | m ² | <i>A</i> | $\pi D^2/4$ |
| Area of Feed Flange: | 167.42 | cm ² | <i>a</i> | $\pi d^2/4$ |
| Antenna Efficiency: | 0.62 | | η | $G\lambda^2/(\pi^2 D^2)$ |
| Gain Factor: | 19952.62 | | <i>g</i> | $10^{G/10}$ |
| Wavelength: | 0.0211 | m | λ | $300/f$ |

Behavior of EM Fields as a Function of Distance

The behavior of the characteristics of EM fields varies depending on the distance from the radiating antenna. These characteristics are analyzed in three primary regions: the near-field region, the far-field region and the transition region. Of interest also are the region between the antenna main reflector and the subreflector, the region of the main reflector area and the region between the main reflector and ground.

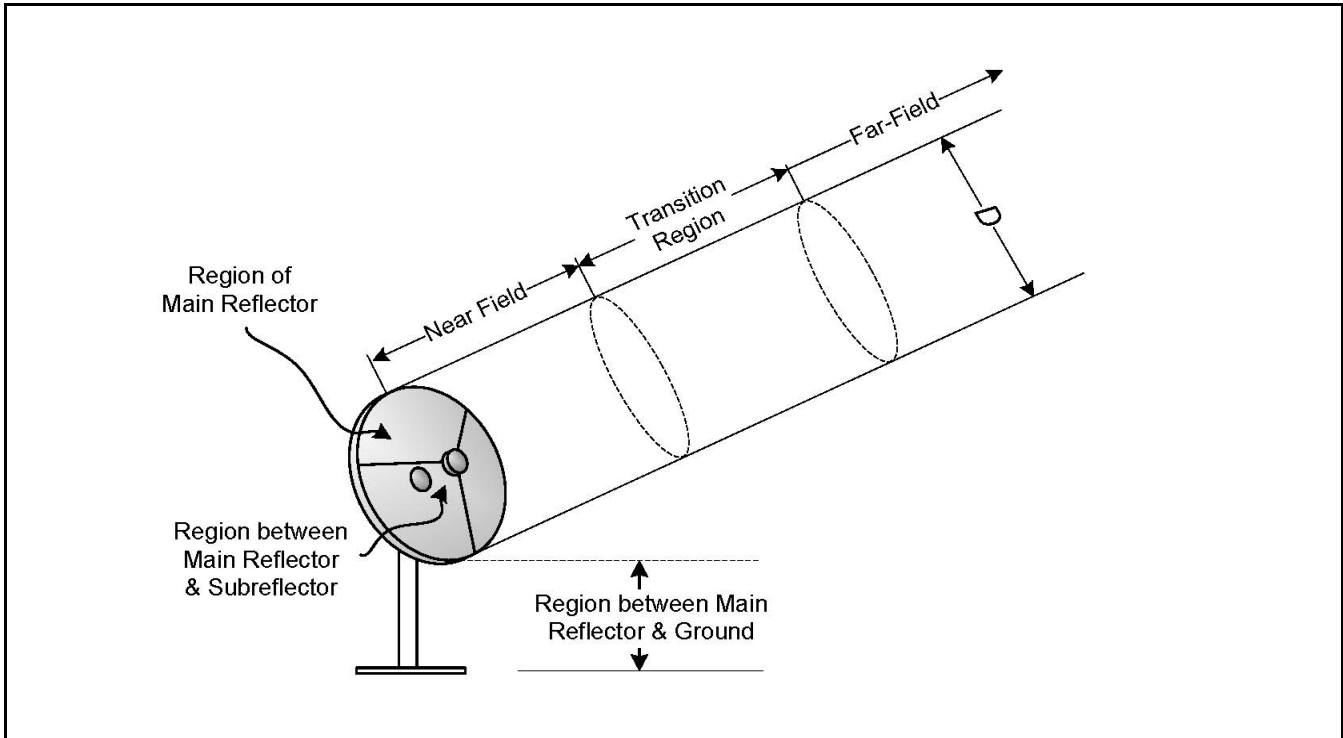


Figure 1. EM Fields as a Function of Distance

For parabolic aperture antennas with circular cross sections, such as the antenna under study, the near-field, far-field and transition region distances are calculated as follows:

| Parameter | Value | Unit | Formula |
|-------------------------------|--------|------|------------------------------|
| Near Field Distance: | 17.100 | m | $R_{nf} = D^2/(4\lambda)$ |
| Distance to Far Field: | 41.040 | m | $R_{ff} = 0.60D^2/(\lambda)$ |
| Distance of Transition Region | 17.100 | m | $R_t = R_{nf}$ |

The distance in the transition region is between the near and far fields. Thus, $R_{nf} \leq R_t \leq R_{ff}$. However, the power density in the transition region will not exceed the power density in the near-field. Therefore, for purposes of the present analysis, the distance of the transition region can equate the distance to the near-field.

Power Flux Density Calculations

The power flux density is considered to be at a maximum through the entire length of the near-field. This region is contained within a cylindrical volume with a diameter, D, equal to the diameter of the antenna. In the transition region and the far-field, the power density decreases inversely with the square of the distance. The following equations are used to calculate power density in these regions.

| <u>Parameter</u> | <u>Value</u> | <u>Unit</u> | <u>Symbol</u> | <u>Formula</u> |
|------------------------------------|--------------|--------------------|---------------|---------------------------|
| Power Density in the Near-Field | 4.996 | mW/cm ² | S_{nf} | $16.0 \eta P / (\pi D^2)$ |
| Power Density in the Far-Field | 2.140 | mW/cm ² | S_{ff} | $GP / (4\pi R_{ff}^2)$ |
| Power Density in the Trans. Region | 4.996 | mW/cm ² | S_t | $S_{nf} R_{nf} / (R_t)$ |

The region between the main reflector and the subreflector is confined within a conical shape defined by the feed assembly. The most common feed assemblies are waveguide flanges. This energy is determined as follows:

| <u>Parameter</u> | <u>Value</u> | <u>Unit</u> | <u>Symbol</u> | <u>Formula</u> |
|----------------------------------|--------------|--------------------|---------------|----------------|
| Power Density at the Feed Flange | 542.4 | mW/cm ² | S_{fa} | $4P / a$ |

The power density in the main reflector is determined similarly to the power density at the feed flange; except that the area of the reflector is used.

| <u>Parameter</u> | <u>Value</u> | <u>Unit</u> | <u>Symbol</u> | <u>Formula</u> |
|---------------------------------|--------------|--------------------|---------------|----------------|
| Power Density at Main Reflector | 8.028 | mW/cm ² | $S_{surface}$ | $4P / A$ |

The power density between the reflector and ground, assuming uniform illumination of the reflector surface, is calculated as follows:

| <u>Parameter</u> | <u>Value</u> | <u>Unit</u> | <u>Symbol</u> | <u>Formula</u> |
|--|--------------|--------------------|---------------|----------------|
| Power Density between Reflector and Ground | 2.007 | mW/cm ² | S_g | P / A |

Table 1 summarizes the calculated power flux density values for each region. In a controlled environment, the only regions that exceed FCC limitations are shown below. These regions are only accessible by trained technicians who, as a matter of procedure, turn off transmit power before performing any work in these areas.

| Power Densities | mW/cm2 | Controlled Environment (5 mW/cm2) |
|--|---------------|--|
| Far Field Calculation | 2.140 | Satisfies FCC Requirements |
| Near Field Calculation | 4.996 | Satisfies FCC Requirements |
| Transition Region | 4.996 | Satisfies FCC Requirements |
| Region between Main and Subreflector | 542.4 | Exceeds Limitations |
| Main Reflector Region | 8.028 | Exceeds Limitations |
| Region between Main Reflector and Ground | 2.007 | Satisfies FCC Requirements |

Table 1. Power Flux Density for Each Region

In conclusion, the results show that the antenna, in a controlled environment, and under the proper mitigation procedures, meets the guidelines specified in 47 C.F.R. § 1.1310.

Radiation Hazard Study

Prodelin 1984

This study analyzes the potential Radio Frequency (RF) human exposure levels caused by the Electro Magnetic (EM) fields of the above-captioned antenna. The mathematical analysis performed below complies with the methods described in the Federal Communications Commission Office of Engineering and Technology Bulletin No. 65 (1985 rev. 1997) R&O 96-326.

Maximum Permissible Exposure

There are two separate levels of exposure limits. The first applies to persons in the general population who are in an uncontrolled environment. The second applies to trained personnel in a controlled environment. According to 47 C.F.R. § 1.1310, the Maximum Permissible Exposure (MPE) limits for frequencies above 1.5 GHz are as follows:

- General Population / Uncontrolled Exposure 1.0 mW/cm²
- Occupational / Controlled Exposure 5.0 mW/cm²

The purpose of this study is to determine the power flux density levels for the earth station under study as compared with the MPE limits. This comparison is done in each of the following regions:

1. Far-field region
2. Near-field region
3. Transition region
4. The region between the feed and the antenna surface
5. The main reflector region
6. The region between the antenna edge and the ground

Input Parameters

The following input parameters were used in the calculations:

| <u>Parameter</u> | <u>Value</u> | <u>Unit</u> | <u>Symbol</u> |
|-----------------------------|--------------|-------------|---------------|
| Antenna Diameter: | 0.98 | m | <i>D</i> |
| Antenna Transmit Gain: | 41.30 | dBi | <i>G</i> |
| Transmit Frequency: | 14125 | MHz | <i>f</i> |
| Feed Flange Diameter: | 14.60 | cm | <i>d</i> |
| Power Input to the Antenna: | 14.60 | W | <i>P</i> |

Calculated Parameters

The following values were calculated using the above input parameters and the corresponding formulas.

| <u>Parameter</u> | <u>Value</u> | <u>Unit</u> | <u>Symbol</u> | <u>Formula</u> |
|-----------------------|--------------|-----------------|---------------|--------------------------|
| Antenna Surface Area: | 0.75 | m ² | <i>A</i> | $\pi D^2/4$ |
| Area of Feed Flange: | 167.42 | cm ² | <i>a</i> | $\pi d^2/4$ |
| Antenna Efficiency: | 0.64 | | η | $G\lambda^2/(\pi^2 D^2)$ |
| Gain Factor: | 13489.63 | | <i>g</i> | $10^{G/10}$ |
| Wavelength: | 0.0212 | m | λ | $300/f$ |

Behavior of EM Fields as a Function of Distance

The behavior of the characteristics of EM fields varies depending on the distance from the radiating antenna. These characteristics are analyzed in three primary regions: the near-field region, the far-field region and the transition region. Of interest also are the region between the antenna main reflector and the subreflector, the region of the main reflector area and the region between the main reflector and ground.

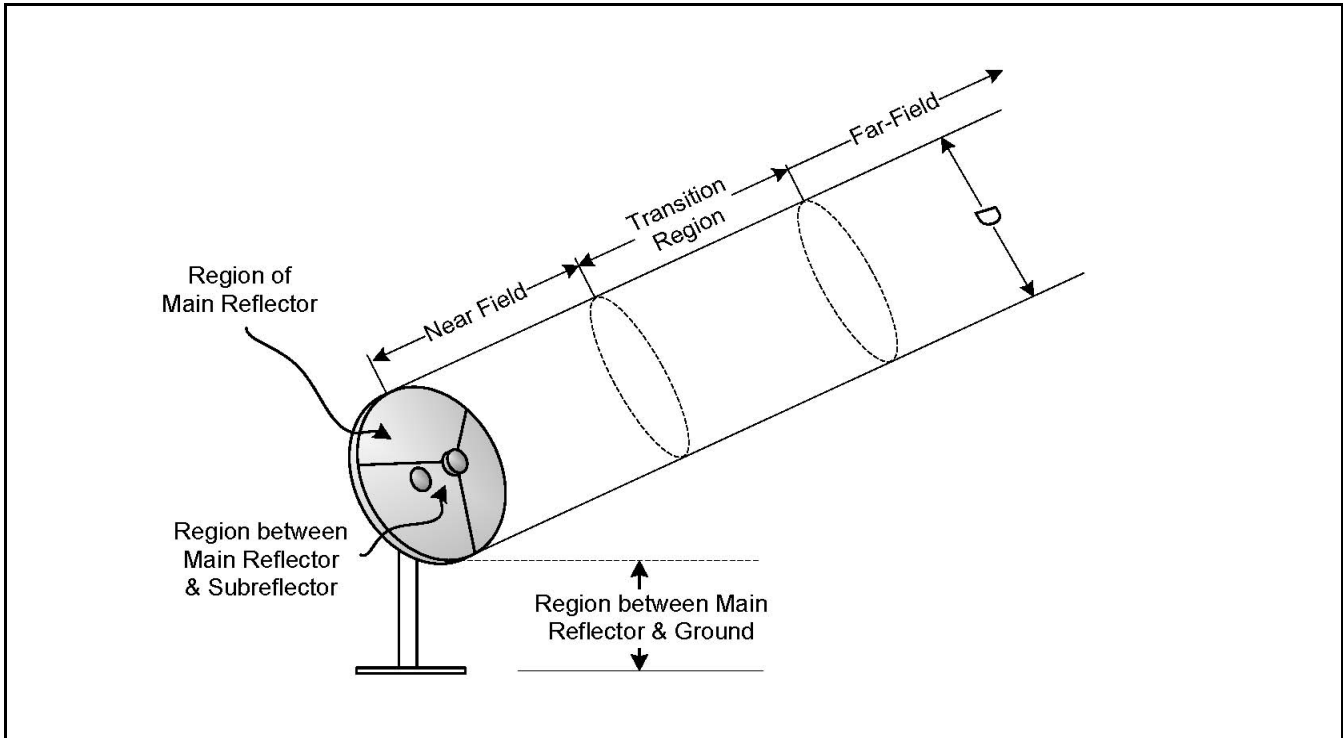


Figure 1. EM Fields as a Function of Distance

For parabolic aperture antennas with circular cross sections, such as the antenna under study, the near-field, far-field and transition region distances are calculated as follows:

| Parameter | Value | Unit | Formula |
|-------------------------------|--------|------|------------------------------|
| Near Field Distance: | 11.305 | m | $R_{nf} = D^2/(4\lambda)$ |
| Distance to Far Field: | 27.131 | m | $R_{ff} = 0.60D^2/(\lambda)$ |
| Distance of Transition Region | 11.305 | m | $R_t = R_{nf}$ |

The distance in the transition region is between the near and far fields. Thus, $R_{nf} \leq R_t \leq R_{ff}$. However, the power density in the transition region will not exceed the power density in the near-field. Therefore, for purposes of the present analysis, the distance of the transition region can equate the distance to the near-field.

Power Flux Density Calculations

The power flux density is considered to be at a maximum through the entire length of the near-field. This region is contained within a cylindrical volume with a diameter, D, equal to the diameter of the antenna. In the transition region and the far-field, the power density decreases inversely with the square of the distance. The following equations are used to calculate power density in these regions.

| <u>Parameter</u> | <u>Value</u> | <u>Unit</u> | <u>Symbol</u> | <u>Formula</u> |
|------------------------------------|--------------|--------------------|---------------|---------------------------|
| Power Density in the Near-Field | 4.970 | mW/cm ² | S_{nf} | $16.0 \eta P / (\pi D^2)$ |
| Power Density in the Far-Field | 2.129 | mW/cm ² | S_{ff} | $GP / (4\pi R_{ff}^2)$ |
| Power Density in the Trans. Region | 4.970 | mW/cm ² | S_t | $S_{nf} R_{nf} / (R_t)$ |

The region between the main reflector and the subreflector is confined within a conical shape defined by the feed assembly. The most common feed assemblies are waveguide flanges. This energy is determined as follows:

| <u>Parameter</u> | <u>Value</u> | <u>Unit</u> | <u>Symbol</u> | <u>Formula</u> |
|----------------------------------|--------------|--------------------|---------------|----------------|
| Power Density at the Feed Flange | 348.8 | mW/cm ² | S_{fa} | $4P / a$ |

The power density in the main reflector is determined similarly to the power density at the feed flange; except that the area of the reflector is used.

| <u>Parameter</u> | <u>Value</u> | <u>Unit</u> | <u>Symbol</u> | <u>Formula</u> |
|---------------------------------|--------------|--------------------|---------------|----------------|
| Power Density at Main Reflector | 7.742 | mW/cm ² | $S_{surface}$ | $4P / A$ |

The power density between the reflector and ground, assuming uniform illumination of the reflector surface, is calculated as follows:

| <u>Parameter</u> | <u>Value</u> | <u>Unit</u> | <u>Symbol</u> | <u>Formula</u> |
|--|--------------|--------------------|---------------|----------------|
| Power Density between Reflector and Ground | 1.936 | mW/cm ² | S_g | P / A |

Table 1 summarizes the calculated power flux density values for each region. In a controlled environment, the only regions that exceed FCC limitations are shown below. These regions are only accessible by trained technicians who, as a matter of procedure, turn off transmit power before performing any work in these areas.

| Power Densities | mW/cm2 | Controlled Environment (5 mW/cm2) |
|--|---------------|--|
| Far Field Calculation | 2.129 | Satisfies FCC Requirements |
| Near Field Calculation | 4.970 | Satisfies FCC Requirements |
| Transition Region | 4.970 | Satisfies FCC Requirements |
| Region between Main and Subreflector | 348.8 | Exceeds Limitations |
| Main Reflector Region | 7.742 | Exceeds Limitations |
| Region between Main Reflector and Ground | 1.936 | Satisfies FCC Requirements |

Table 1. Power Flux Density for Each Region

In conclusion, the results show that the antenna, in a controlled environment, and under the proper mitigation procedures, meets the guidelines specified in 47 C.F.R. § 1.1310.

Radiation Hazard Study

Prodelin 1251

This study analyzes the potential Radio Frequency (RF) human exposure levels caused by the Electro Magnetic (EM) fields of the above-captioned antenna. The mathematical analysis performed below complies with the methods described in the Federal Communications Commission Office of Engineering and Technology Bulletin No. 65 (1985 rev. 1997) R&O 96-326.

Maximum Permissible Exposure

There are two separate levels of exposure limits. The first applies to persons in the general population who are in an uncontrolled environment. The second applies to trained personnel in a controlled environment. According to 47 C.F.R. § 1.1310, the Maximum Permissible Exposure (MPE) limits for frequencies above 1.5 GHz are as follows:

- General Population / Uncontrolled Exposure 1.0 mW/cm²
- Occupational / Controlled Exposure 5.0 mW/cm²

The purpose of this study is to determine the power flux density levels for the earth station under study as compared with the MPE limits. This comparison is done in each of the following regions:

1. Far-field region
2. Near-field region
3. Transition region
4. The region between the feed and the antenna surface
5. The main reflector region
6. The region between the antenna edge and the ground

Input Parameters

The following input parameters were used in the calculations:

| <u>Parameter</u> | <u>Value</u> | <u>Unit</u> | <u>Symbol</u> |
|-----------------------------|--------------|-------------|---------------|
| Antenna Diameter: | 2.4 | m | <i>D</i> |
| Antenna Transmit Gain: | 49.20 | dBi | <i>G</i> |
| Transmit Frequency: | 14125 | MHz | <i>f</i> |
| Feed Flange Diameter: | 14.60 | cm | <i>d</i> |
| Power Input to the Antenna: | 56.00 | W | <i>P</i> |

Calculated Parameters

The following values were calculated using the above input parameters and the corresponding formulas.

| <u>Parameter</u> | <u>Value</u> | <u>Unit</u> | <u>Symbol</u> | <u>Formula</u> |
|-----------------------|--------------|-----------------|---------------|--------------------------|
| Antenna Surface Area: | 4.52 | m ² | <i>A</i> | $\pi D^2/4$ |
| Area of Feed Flange: | 167.42 | cm ² | <i>a</i> | $\pi d^2/4$ |
| Antenna Efficiency: | 0.66 | | η | $G\lambda^2/(\pi^2 D^2)$ |
| Gain Factor: | 83176.38 | | <i>g</i> | $10^{G/10}$ |
| Wavelength: | 0.0212 | m | λ | $300/f$ |

Behavior of EM Fields as a Function of Distance

The behavior of the characteristics of EM fields varies depending on the distance from the radiating antenna. These characteristics are analyzed in three primary regions: the near-field region, the far-field region and the transition region. Of interest also are the region between the antenna main reflector and the subreflector, the region of the main reflector area and the region between the main reflector and ground.

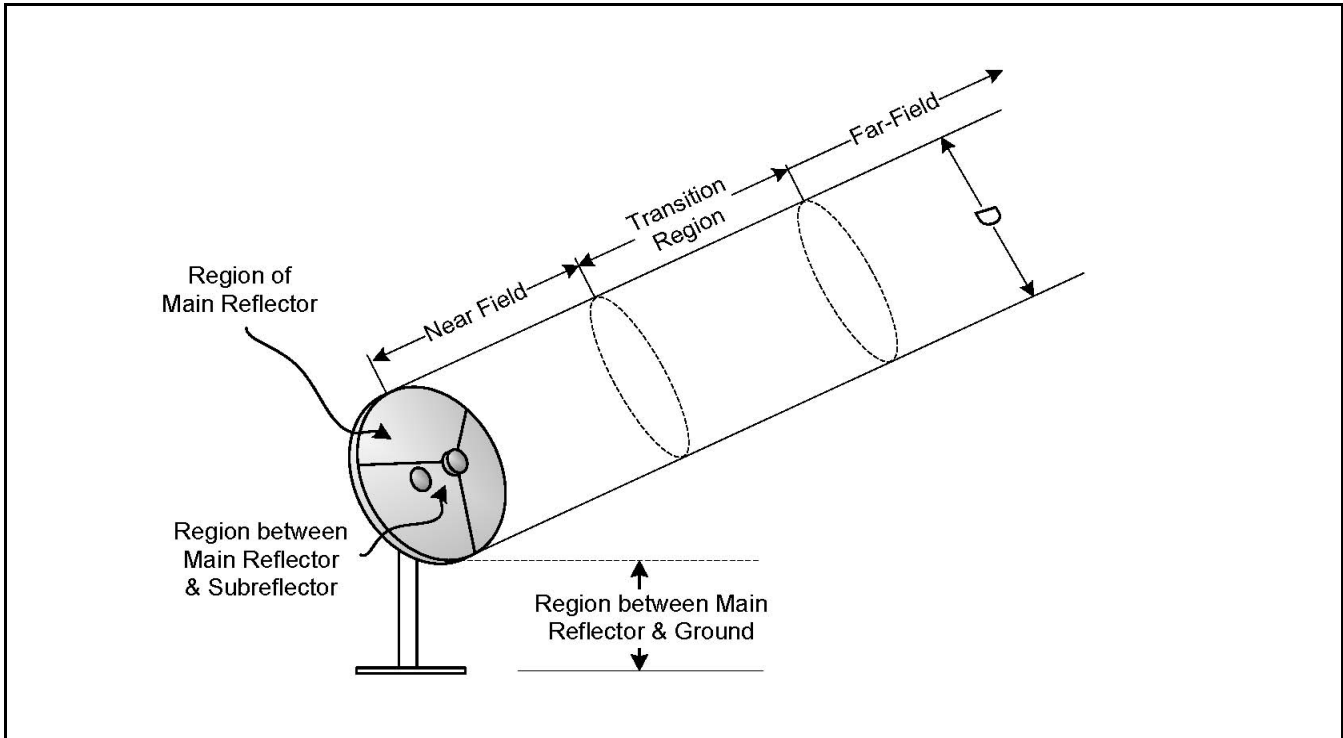


Figure 1. EM Fields as a Function of Distance

For parabolic aperture antennas with circular cross sections, such as the antenna under study, the near-field, far-field and transition region distances are calculated as follows:

| Parameter | Value | Unit | Formula |
|-------------------------------|---------|------|------------------------------|
| Near Field Distance: | 67.800 | m | $R_{nf} = D^2/(4\lambda)$ |
| Distance to Far Field: | 162.720 | m | $R_{ff} = 0.60D^2/(\lambda)$ |
| Distance of Transition Region | 67.800 | m | $R_t = R_{nf}$ |

The distance in the transition region is between the near and far fields. Thus, $R_{nf} \leq R_t \leq R_{ff}$. However, the power density in the transition region will not exceed the power density in the near-field. Therefore, for purposes of the present analysis, the distance of the transition region can equate the distance to the near-field.

Power Flux Density Calculations

The power flux density is considered to be at a maximum through the entire length of the near-field. This region is contained within a cylindrical volume with a diameter, D, equal to the diameter of the antenna. In the transition region and the far-field, the power density decreases inversely with the square of the distance. The following equations are used to calculate power density in these regions.

| <u>Parameter</u> | <u>Value</u> | <u>Unit</u> | <u>Symbol</u> | <u>Formula</u> |
|------------------------------------|--------------|--------------------|---------------|---------------------------|
| Power Density in the Near-Field | 3.268 | mW/cm ² | S_{nf} | $16.0 \eta P / (\pi D^2)$ |
| Power Density in the Far-Field | 1.400 | mW/cm ² | S_{ff} | $GP / (4\pi R_{ff}^2)$ |
| Power Density in the Trans. Region | 3.268 | mW/cm ² | S_t | $S_{nf} R_{nf} / (R_t)$ |

The region between the main reflector and the subreflector is confined within a conical shape defined by the feed assembly. The most common feed assemblies are waveguide flanges. This energy is determined as follows:

| <u>Parameter</u> | <u>Value</u> | <u>Unit</u> | <u>Symbol</u> | <u>Formula</u> |
|----------------------------------|--------------|--------------------|---------------|----------------|
| Power Density at the Feed Flange | 1338.0 | mW/cm ² | S_{fa} | $4P / a$ |

The power density in the main reflector is determined similarly to the power density at the feed flange; except that the area of the reflector is used.

| <u>Parameter</u> | <u>Value</u> | <u>Unit</u> | <u>Symbol</u> | <u>Formula</u> |
|---------------------------------|--------------|--------------------|---------------|----------------|
| Power Density at Main Reflector | 4.951 | mW/cm ² | $S_{surface}$ | $4P / A$ |

The power density between the reflector and ground, assuming uniform illumination of the reflector surface, is calculated as follows:

| <u>Parameter</u> | <u>Value</u> | <u>Unit</u> | <u>Symbol</u> | <u>Formula</u> |
|--|--------------|--------------------|---------------|----------------|
| Power Density between Reflector and Ground | 1.238 | mW/cm ² | S_g | P / A |

Table 1 summarizes the calculated power flux density values for each region. In a controlled environment, the only regions that exceed FCC limitations are shown below. These regions are only accessible by trained technicians who, as a matter of procedure, turn off transmit power before performing any work in these areas.

| Power Densities | mW/cm2 | Controlled Environment (5 mW/cm2) |
|--|---------------|--|
| Far Field Calculation | 1.400 | Satisfies FCC Requirements |
| Near Field Calculation | 3.268 | Satisfies FCC Requirements |
| Transition Region | 3.268 | Satisfies FCC Requirements |
| Region between Main and Subreflector | 1338.0 | Exceeds Limitations |
| Main Reflector Region | 4.951 | Satisfies FCC Requirements |
| Region between Main Reflector and Ground | 1.238 | Satisfies FCC Requirements |

Table 1. Power Flux Density for Each Region

In conclusion, the results show that the antenna, in a controlled environment, and under the proper mitigation procedures, meets the guidelines specified in 47 C.F.R. § 1.1310.

Radiation Hazard Study

SkyWare Global 123

This study analyzes the potential Radio Frequency (RF) human exposure levels caused by the Electro Magnetic (EM) fields of the above-captioned antenna. The mathematical analysis performed below complies with the methods described in the Federal Communications Commission Office of Engineering and Technology Bulletin No. 65 (1985 rev. 1997) R&O 96-326.

Maximum Permissible Exposure

There are two separate levels of exposure limits. The first applies to persons in the general population who are in an uncontrolled environment. The second applies to trained personnel in a controlled environment. According to 47 C.F.R. § 1.1310, the Maximum Permissible Exposure (MPE) limits for frequencies above 1.5 GHz are as follows:

- General Population / Uncontrolled Exposure 1.0 mW/cm²
- Occupational / Controlled Exposure 5.0 mW/cm²

The purpose of this study is to determine the power flux density levels for the earth station under study as compared with the MPE limits. This comparison is done in each of the following regions:

1. Far-field region
2. Near-field region
3. Transition region
4. The region between the feed and the antenna surface
5. The main reflector region
6. The region between the antenna edge and the ground

Input Parameters

The following input parameters were used in the calculations:

| <u>Parameter</u> | <u>Value</u> | <u>Unit</u> | <u>Symbol</u> |
|-----------------------------|--------------|-------------|---------------|
| Antenna Diameter: | 1.2 | m | <i>D</i> |
| Antenna Transmit Gain: | 43.30 | dBi | <i>G</i> |
| Transmit Frequency: | 14300 | MHz | <i>f</i> |
| Feed Flange Diameter: | 10.80 | cm | <i>d</i> |
| Power Input to the Antenna: | 21.30 | W | <i>P</i> |

Calculated Parameters

The following values were calculated using the above input parameters and the corresponding formulas.

| <u>Parameter</u> | <u>Value</u> | <u>Unit</u> | <u>Symbol</u> | <u>Formula</u> |
|-----------------------|--------------|-----------------|---------------|--------------------------|
| Antenna Surface Area: | 1.13 | m ² | <i>A</i> | $\pi D^2/4$ |
| Area of Feed Flange: | 91.61 | cm ² | <i>a</i> | $\pi d^2/4$ |
| Antenna Efficiency: | 0.66 | | η | $G\lambda^2/(\pi^2 D^2)$ |
| Gain Factor: | 21379.62 | | <i>g</i> | $10^{G/10}$ |
| Wavelength: | 0.0210 | m | λ | $300/f$ |

Behavior of EM Fields as a Function of Distance

The behavior of the characteristics of EM fields varies depending on the distance from the radiating antenna. These characteristics are analyzed in three primary regions: the near-field region, the far-field region and the transition region. Of interest also are the region between the antenna main reflector and the subreflector, the region of the main reflector area and the region between the main reflector and ground.

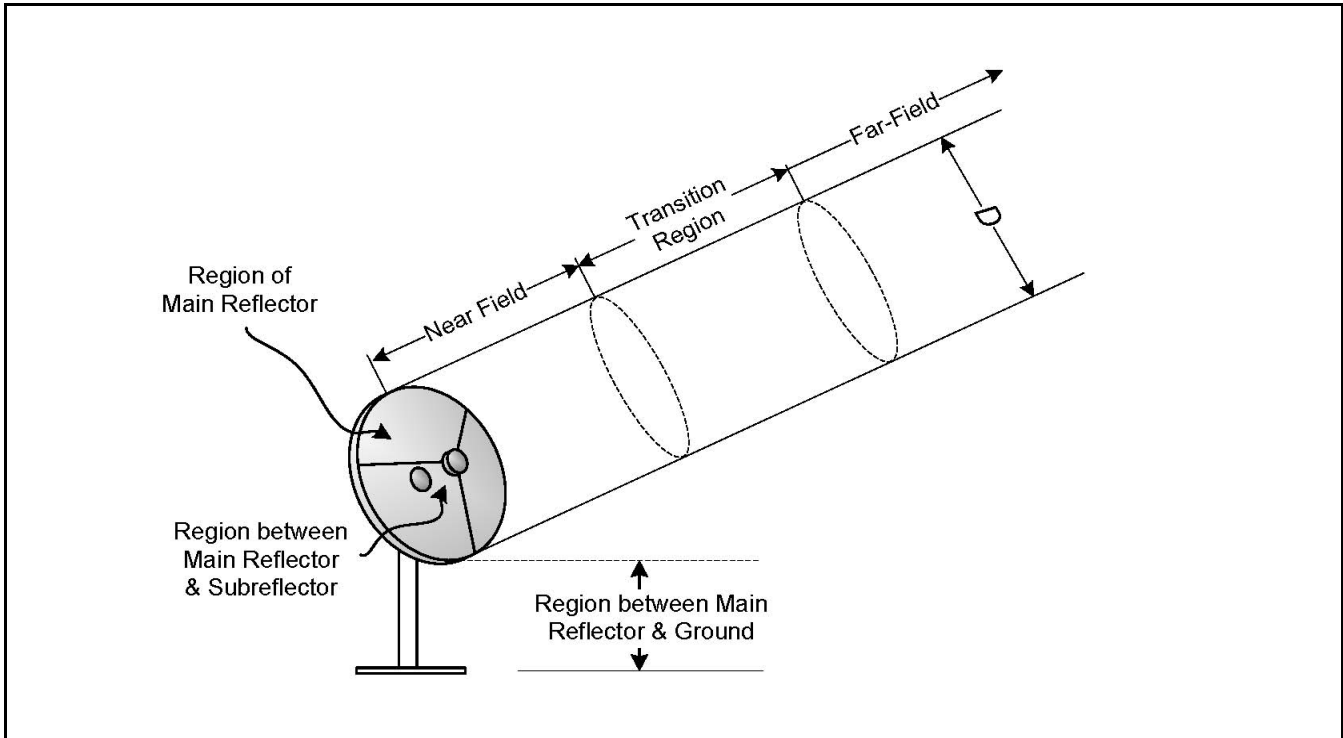


Figure 1. EM Fields as a Function of Distance

For parabolic aperture antennas with circular cross sections, such as the antenna under study, the near-field, far-field and transition region distances are calculated as follows:

| <u>Parameter</u> | <u>Value</u> | <u>Unit</u> | <u>Formula</u> |
|-------------------------------|--------------|-------------|------------------------------|
| Near Field Distance: | 17.160 | m | $R_{nf} = D^2/(4\lambda)$ |
| Distance to Far Field: | 41.184 | m | $R_{ff} = 0.60D^2/(\lambda)$ |
| Distance of Transition Region | 17.160 | m | $R_t = R_{nf}$ |

The distance in the transition region is between the near and far fields. Thus, $R_{nf} \leq R_t \leq R_{ff}$. However, the power density in the transition region will not exceed the power density in the near-field. Therefore, for purposes of the present analysis, the distance of the transition region can equate the distance to the near-field.

Power Flux Density Calculations

The power flux density is considered to be at a maximum through the entire length of the near-field. This region is contained within a cylindrical volume with a diameter, D, equal to the diameter of the antenna. In the transition region and the far-field, the power density decreases inversely with the square of the distance. The following equations are used to calculate power density in these regions.

| <u>Parameter</u> | <u>Value</u> | <u>Unit</u> | <u>Symbol</u> | <u>Formula</u> |
|------------------------------------|--------------|--------------------|---------------|---------------------------|
| Power Density in the Near-Field | 4.988 | mW/cm ² | S_{nf} | $16.0 \eta P / (\pi D^2)$ |
| Power Density in the Far-Field | 2.137 | mW/cm ² | S_{ff} | $GP / (4\pi R_{ff}^2)$ |
| Power Density in the Trans. Region | 4.988 | mW/cm ² | S_t | $S_{nf} R_{nf} / (R_t)$ |

The region between the main reflector and the subreflector is confined within a conical shape defined by the feed assembly. The most common feed assemblies are waveguide flanges. This energy is determined as follows:

| <u>Parameter</u> | <u>Value</u> | <u>Unit</u> | <u>Symbol</u> | <u>Formula</u> |
|----------------------------------|--------------|--------------------|---------------|----------------|
| Power Density at the Feed Flange | 930.0 | mW/cm ² | S_{fa} | $4P / a$ |

The power density in the main reflector is determined similarly to the power density at the feed flange; except that the area of the reflector is used.

| <u>Parameter</u> | <u>Value</u> | <u>Unit</u> | <u>Symbol</u> | <u>Formula</u> |
|---------------------------------|--------------|--------------------|---------------|----------------|
| Power Density at Main Reflector | 7.533 | mW/cm ² | $S_{surface}$ | $4P / A$ |

The power density between the reflector and ground, assuming uniform illumination of the reflector surface, is calculated as follows:

| <u>Parameter</u> | <u>Value</u> | <u>Unit</u> | <u>Symbol</u> | <u>Formula</u> |
|--|--------------|--------------------|---------------|----------------|
| Power Density between Reflector and Ground | 1.883 | mW/cm ² | S_g | P / A |

Table 1 summarizes the calculated power flux density values for each region. In a controlled environment, the only regions that exceed FCC limitations are shown below. These regions are only accessible by trained technicians who, as a matter of procedure, turn off transmit power before performing any work in these areas.

| Power Densities | mW/cm2 | Controlled Environment (5 mW/cm2) |
|--|---------------|--|
| Far Field Calculation | 2.137 | Satisfies FCC Requirements |
| Near Field Calculation | 4.988 | Satisfies FCC Requirements |
| Transition Region | 4.988 | Satisfies FCC Requirements |
| Region between Main and Subreflector | 930.0 | Exceeds Limitations |
| Main Reflector Region | 7.533 | Exceeds Limitations |
| Region between Main Reflector and Ground | 1.883 | Satisfies FCC Requirements |

Table 1. Power Flux Density for Each Region

In conclusion, the results show that the antenna, in a controlled environment, and under the proper mitigation procedures, meets the guidelines specified in 47 C.F.R. § 1.1310.

Radiation Hazard Study

SkyWare Global 183 (SPA 1800)

This study analyzes the potential Radio Frequency (RF) human exposure levels caused by the Electro Magnetic (EM) fields of the above-captioned antenna. The mathematical analysis performed below complies with the methods described in the Federal Communications Commission Office of Engineering and Technology Bulletin No. 65 (1985 rev. 1997) R&O 96-326.

Maximum Permissible Exposure

There are two separate levels of exposure limits. The first applies to persons in the general population who are in an uncontrolled environment. The second applies to trained personnel in a controlled environment. According to 47 C.F.R. § 1.1310, the Maximum Permissible Exposure (MPE) limits for frequencies above 1.5 GHz are as follows:

- General Population / Uncontrolled Exposure 1.0 mW/cm²
- Occupational / Controlled Exposure 5.0 mW/cm²

The purpose of this study is to determine the power flux density levels for the earth station under study as compared with the MPE limits. This comparison is done in each of the following regions:

1. Far-field region
2. Near-field region
3. Transition region
4. The region between the feed and the antenna surface
5. The main reflector region
6. The region between the antenna edge and the ground

Input Parameters

The following input parameters were used in the calculations:

| <u>Parameter</u> | <u>Value</u> | <u>Unit</u> | <u>Symbol</u> |
|-----------------------------|--------------|-------------|---------------|
| Antenna Diameter: | 1.8 | m | <i>D</i> |
| Antenna Transmit Gain: | 46.80 | dBi | <i>G</i> |
| Transmit Frequency: | 14300 | MHz | <i>f</i> |
| Feed Flange Diameter: | 8.57 | cm | <i>d</i> |
| Power Input to the Antenna: | 48.20 | W | <i>P</i> |

Calculated Parameters

The following values were calculated using the above input parameters and the corresponding formulas.

| <u>Parameter</u> | <u>Value</u> | <u>Unit</u> | <u>Symbol</u> | <u>Formula</u> |
|-----------------------|--------------|-----------------|---------------|--------------------------|
| Antenna Surface Area: | 2.54 | m ² | <i>A</i> | $\pi D^2/4$ |
| Area of Feed Flange: | 57.68 | cm ² | <i>a</i> | $\pi d^2/4$ |
| Antenna Efficiency: | 0.66 | | η | $G\lambda^2/(\pi^2 D^2)$ |
| Gain Factor: | 47863.01 | | <i>g</i> | $10^{G/10}$ |
| Wavelength: | 0.0210 | m | λ | $300/f$ |

Behavior of EM Fields as a Function of Distance

The behavior of the characteristics of EM fields varies depending on the distance from the radiating antenna. These characteristics are analyzed in three primary regions: the near-field region, the far-field region and the transition region. Of interest also are the region between the antenna main reflector and the subreflector, the region of the main reflector area and the region between the main reflector and ground.

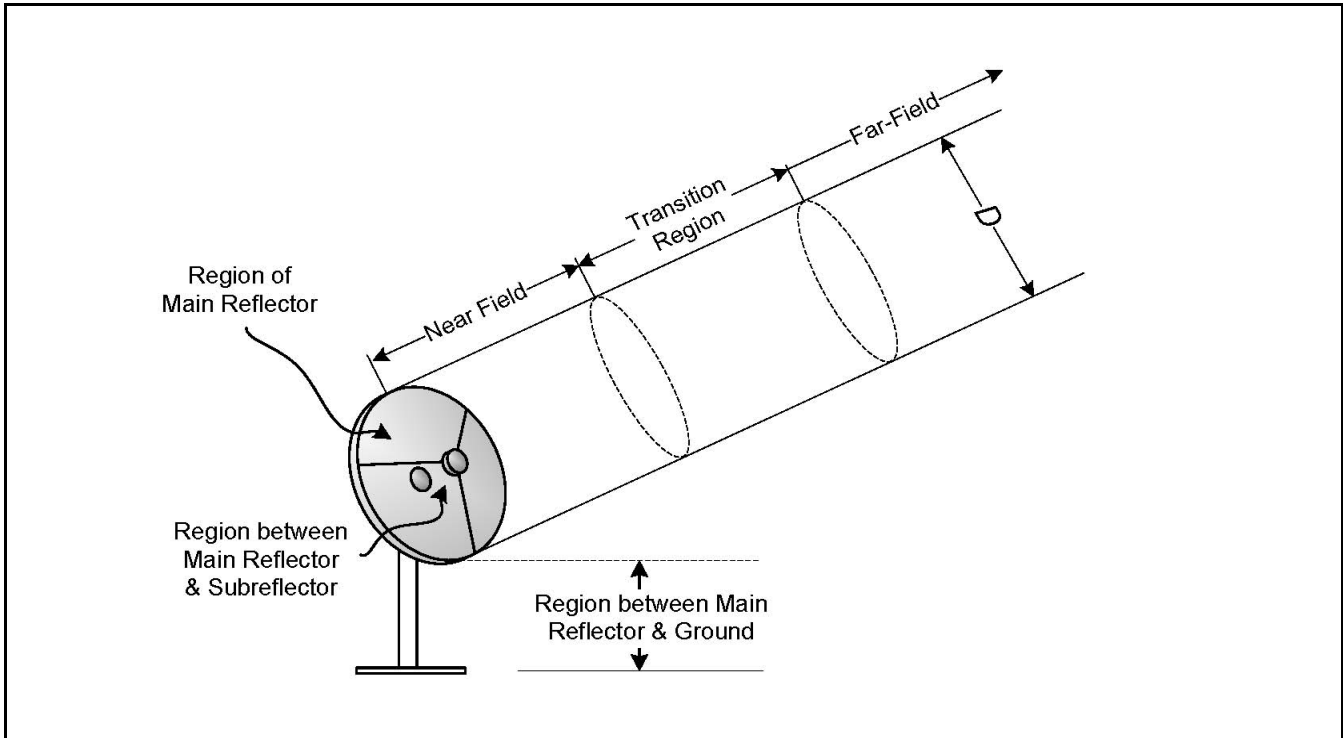


Figure 1. EM Fields as a Function of Distance

For parabolic aperture antennas with circular cross sections, such as the antenna under study, the near-field, far-field and transition region distances are calculated as follows:

| Parameter | Value | Unit | Formula |
|-------------------------------|--------|------|------------------------------|
| Near Field Distance: | 38.610 | m | $R_{nf} = D^2/(4\lambda)$ |
| Distance to Far Field: | 92.664 | m | $R_{ff} = 0.60D^2/(\lambda)$ |
| Distance of Transition Region | 38.610 | m | $R_t = R_{nf}$ |

The distance in the transition region is between the near and far fields. Thus, $R_{nf} \leq R_t \leq R_{ff}$. However, the power density in the transition region will not exceed the power density in the near-field. Therefore, for purposes of the present analysis, the distance of the transition region can equate the distance to the near-field.

Power Flux Density Calculations

The power flux density is considered to be at a maximum through the entire length of the near-field. This region is contained within a cylindrical volume with a diameter, D, equal to the diameter of the antenna. In the transition region and the far-field, the power density decreases inversely with the square of the distance. The following equations are used to calculate power density in these regions.

| <u>Parameter</u> | <u>Value</u> | <u>Unit</u> | <u>Symbol</u> | <u>Formula</u> |
|------------------------------------|--------------|--------------------|---------------|---------------------------|
| Power Density in the Near-Field | 4.991 | mW/cm ² | S_{nf} | $16.0 \eta P / (\pi D^2)$ |
| Power Density in the Far-Field | 2.138 | mW/cm ² | S_{ff} | $GP / (4\pi R_{ff}^2)$ |
| Power Density in the Trans. Region | 4.991 | mW/cm ² | S_t | $S_{nf} R_{nf} / (R_t)$ |

The region between the main reflector and the subreflector is confined within a conical shape defined by the feed assembly. The most common feed assemblies are waveguide flanges. This energy is determined as follows:

| <u>Parameter</u> | <u>Value</u> | <u>Unit</u> | <u>Symbol</u> | <u>Formula</u> |
|----------------------------------|--------------|--------------------|---------------|----------------|
| Power Density at the Feed Flange | 3342.4 | mW/cm ² | S_{fa} | $4P / a$ |

The power density in the main reflector is determined similarly to the power density at the feed flange; except that the area of the reflector is used.

| <u>Parameter</u> | <u>Value</u> | <u>Unit</u> | <u>Symbol</u> | <u>Formula</u> |
|---------------------------------|--------------|--------------------|---------------|----------------|
| Power Density at Main Reflector | 7.577 | mW/cm ² | $S_{surface}$ | $4P / A$ |

The power density between the reflector and ground, assuming uniform illumination of the reflector surface, is calculated as follows:

| <u>Parameter</u> | <u>Value</u> | <u>Unit</u> | <u>Symbol</u> | <u>Formula</u> |
|--|--------------|--------------------|---------------|----------------|
| Power Density between Reflector and Ground | 1.894 | mW/cm ² | S_g | P / A |

Table 1 summarizes the calculated power flux density values for each region. In a controlled environment, the only regions that exceed FCC limitations are shown below. These regions are only accessible by trained technicians who, as a matter of procedure, turn off transmit power before performing any work in these areas.

| Power Densities | mW/cm2 | Controlled Environment (5 mW/cm2) |
|--|---------------|--|
| Far Field Calculation | 2.138 | Satisfies FCC Requirements |
| Near Field Calculation | 4.991 | Satisfies FCC Requirements |
| Transition Region | 4.991 | Satisfies FCC Requirements |
| Region between Main and Subreflector | 3342.4 | Exceeds Limitations |
| Main Reflector Region | 7.577 | Exceeds Limitations |
| Region between Main Reflector and Ground | 1.894 | Satisfies FCC Requirements |

Table 1. Power Flux Density for Each Region

In conclusion, the results show that the antenna, in a controlled environment, and under the proper mitigation procedures, meets the guidelines specified in 47 C.F.R. § 1.1310.

Radiation Hazard Study

SkyWare Global 845 (SF 840)

This study analyzes the potential Radio Frequency (RF) human exposure levels caused by the Electro Magnetic (EM) fields of the above-captioned antenna. The mathematical analysis performed below complies with the methods described in the Federal Communications Commission Office of Engineering and Technology Bulletin No. 65 (1985 rev. 1997) R&O 96-326.

Maximum Permissible Exposure

There are two separate levels of exposure limits. The first applies to persons in the general population who are in an uncontrolled environment. The second applies to trained personnel in a controlled environment. According to 47 C.F.R. § 1.1310, the Maximum Permissible Exposure (MPE) limits for frequencies above 1.5 GHz are as follows:

- General Population / Uncontrolled Exposure 1.0 mW/cm²
- Occupational / Controlled Exposure 5.0 mW/cm²

The purpose of this study is to determine the power flux density levels for the earth station under study as compared with the MPE limits. This comparison is done in each of the following regions:

1. Far-field region
2. Near-field region
3. Transition region
4. The region between the feed and the antenna surface
5. The main reflector region
6. The region between the antenna edge and the ground

Input Parameters

The following input parameters were used in the calculations:

| <u>Parameter</u> | <u>Value</u> | <u>Unit</u> | <u>Symbol</u> |
|-----------------------------|--------------|-------------|---------------|
| Antenna Diameter: | 0.84 | m | <i>D</i> |
| Antenna Transmit Gain: | 40.30 | dBi | <i>G</i> |
| Transmit Frequency: | 14300 | MHz | <i>f</i> |
| Feed Flange Diameter: | 8.25 | cm | <i>d</i> |
| Power Input to the Antenna: | 10.20 | W | <i>P</i> |

Calculated Parameters

The following values were calculated using the above input parameters and the corresponding formulas.

| <u>Parameter</u> | <u>Value</u> | <u>Unit</u> | <u>Symbol</u> | <u>Formula</u> |
|-----------------------|--------------|-----------------|---------------|--------------------------|
| Antenna Surface Area: | 0.55 | m ² | <i>A</i> | $\pi D^2/4$ |
| Area of Feed Flange: | 53.46 | cm ² | <i>a</i> | $\pi d^2/4$ |
| Antenna Efficiency: | 0.68 | | η | $G\lambda^2/(\pi^2 D^2)$ |
| Gain Factor: | 10715.19 | | <i>g</i> | $10^{G/10}$ |
| Wavelength: | 0.0210 | m | λ | $300/f$ |

Behavior of EM Fields as a Function of Distance

The behavior of the characteristics of EM fields varies depending on the distance from the radiating antenna. These characteristics are analyzed in three primary regions: the near-field region, the far-field region and the transition region. Of interest also are the region between the antenna main reflector and the subreflector, the region of the main reflector area and the region between the main reflector and ground.

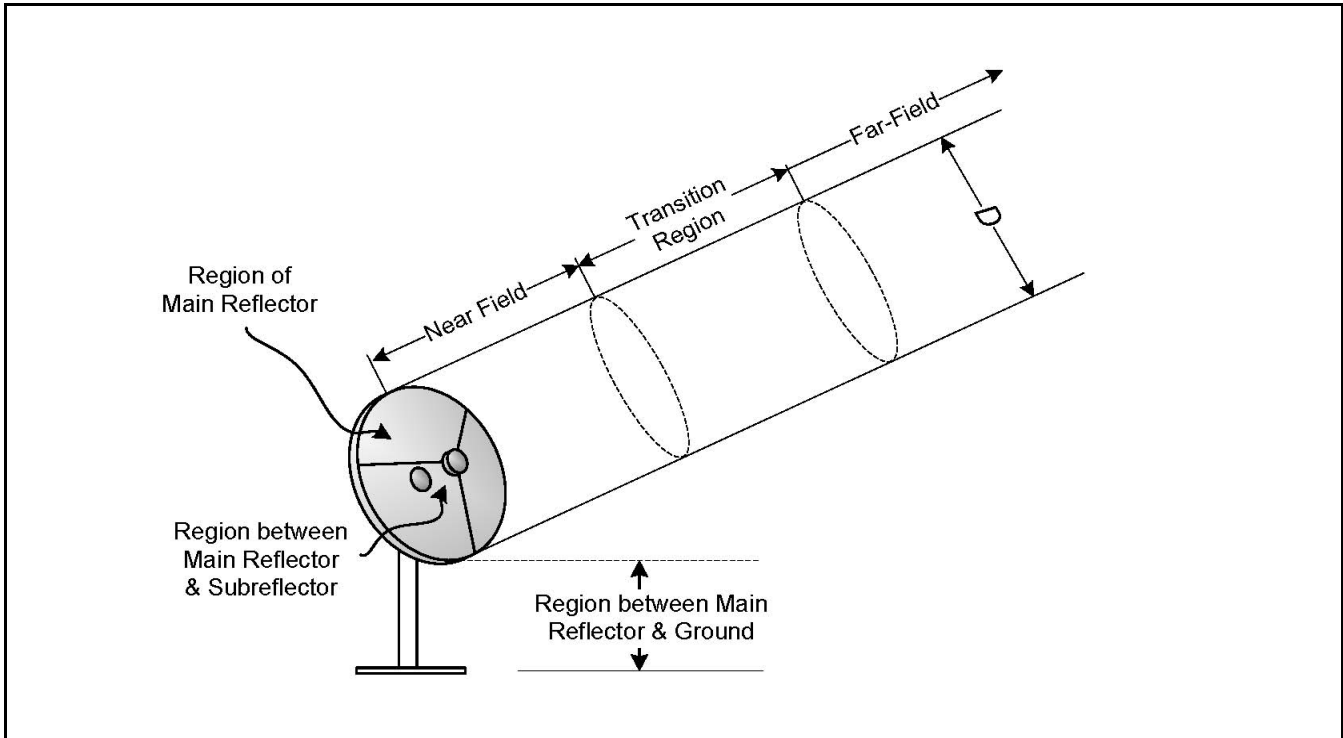


Figure 1. EM Fields as a Function of Distance

For parabolic aperture antennas with circular cross sections, such as the antenna under study, the near-field, far-field and transition region distances are calculated as follows:

| <u>Parameter</u> | <u>Value</u> | <u>Unit</u> | <u>Formula</u> |
|-------------------------------|--------------|-------------|------------------------------|
| Near Field Distance: | 8.408 | m | $R_{nf} = D^2/(4\lambda)$ |
| Distance to Far Field: | 20.180 | m | $R_{ff} = 0.60D^2/(\lambda)$ |
| Distance of Transition Region | 8.408 | m | $R_t = R_{nf}$ |

The distance in the transition region is between the near and far fields. Thus, $R_{nf} \leq R_t \leq R_{ff}$. However, the power density in the transition region will not exceed the power density in the near-field. Therefore, for purposes of the present analysis, the distance of the transition region can equate the distance to the near-field.

Power Flux Density Calculations

The power flux density is considered to be at a maximum through the entire length of the near-field. This region is contained within a cylindrical volume with a diameter, D, equal to the diameter of the antenna. In the transition region and the far-field, the power density decreases inversely with the square of the distance. The following equations are used to calculate power density in these regions.

| <u>Parameter</u> | <u>Value</u> | <u>Unit</u> | <u>Symbol</u> | <u>Formula</u> |
|------------------------------------|--------------|--------------------|---------------|---------------------------|
| Power Density in the Near-Field | 4.986 | mW/cm ² | S_{nf} | $16.0 \eta P / (\pi D^2)$ |
| Power Density in the Far-Field | 2.136 | mW/cm ² | S_{ff} | $GP / (4\pi R_{ff}^2)$ |
| Power Density in the Trans. Region | 4.986 | mW/cm ² | S_t | $S_{nf} R_{nf} / (R_t)$ |

The region between the main reflector and the subreflector is confined within a conical shape defined by the feed assembly. The most common feed assemblies are waveguide flanges. This energy is determined as follows:

| <u>Parameter</u> | <u>Value</u> | <u>Unit</u> | <u>Symbol</u> | <u>Formula</u> |
|----------------------------------|--------------|--------------------|---------------|----------------|
| Power Density at the Feed Flange | 763.2 | mW/cm ² | S_{fa} | $4P / a$ |

The power density in the main reflector is determined similarly to the power density at the feed flange; except that the area of the reflector is used.

| <u>Parameter</u> | <u>Value</u> | <u>Unit</u> | <u>Symbol</u> | <u>Formula</u> |
|---------------------------------|--------------|--------------------|---------------|----------------|
| Power Density at Main Reflector | 7.362 | mW/cm ² | $S_{surface}$ | $4P / A$ |

The power density between the reflector and ground, assuming uniform illumination of the reflector surface, is calculated as follows:

| <u>Parameter</u> | <u>Value</u> | <u>Unit</u> | <u>Symbol</u> | <u>Formula</u> |
|--|--------------|--------------------|---------------|----------------|
| Power Density between Reflector and Ground | 1.841 | mW/cm ² | S_g | P / A |

Table 1 summarizes the calculated power flux density values for each region. In a controlled environment, the only regions that exceed FCC limitations are shown below. These regions are only accessible by trained technicians who, as a matter of procedure, turn off transmit power before performing any work in these areas.

| Power Densities | mW/cm2 | Controlled Environment (5 mW/cm2) |
|--|---------------|--|
| Far Field Calculation | 2.136 | Satisfies FCC Requirements |
| Near Field Calculation | 4.986 | Satisfies FCC Requirements |
| Transition Region | 4.986 | Satisfies FCC Requirements |
| Region between Main and Subreflector | 763.2 | Exceeds Limitations |
| Main Reflector Region | 7.362 | Exceeds Limitations |
| Region between Main Reflector and Ground | 1.841 | Satisfies FCC Requirements |

Table 1. Power Flux Density for Each Region

In conclusion, the results show that the antenna, in a controlled environment, and under the proper mitigation procedures, meets the guidelines specified in 47 C.F.R. § 1.1310.