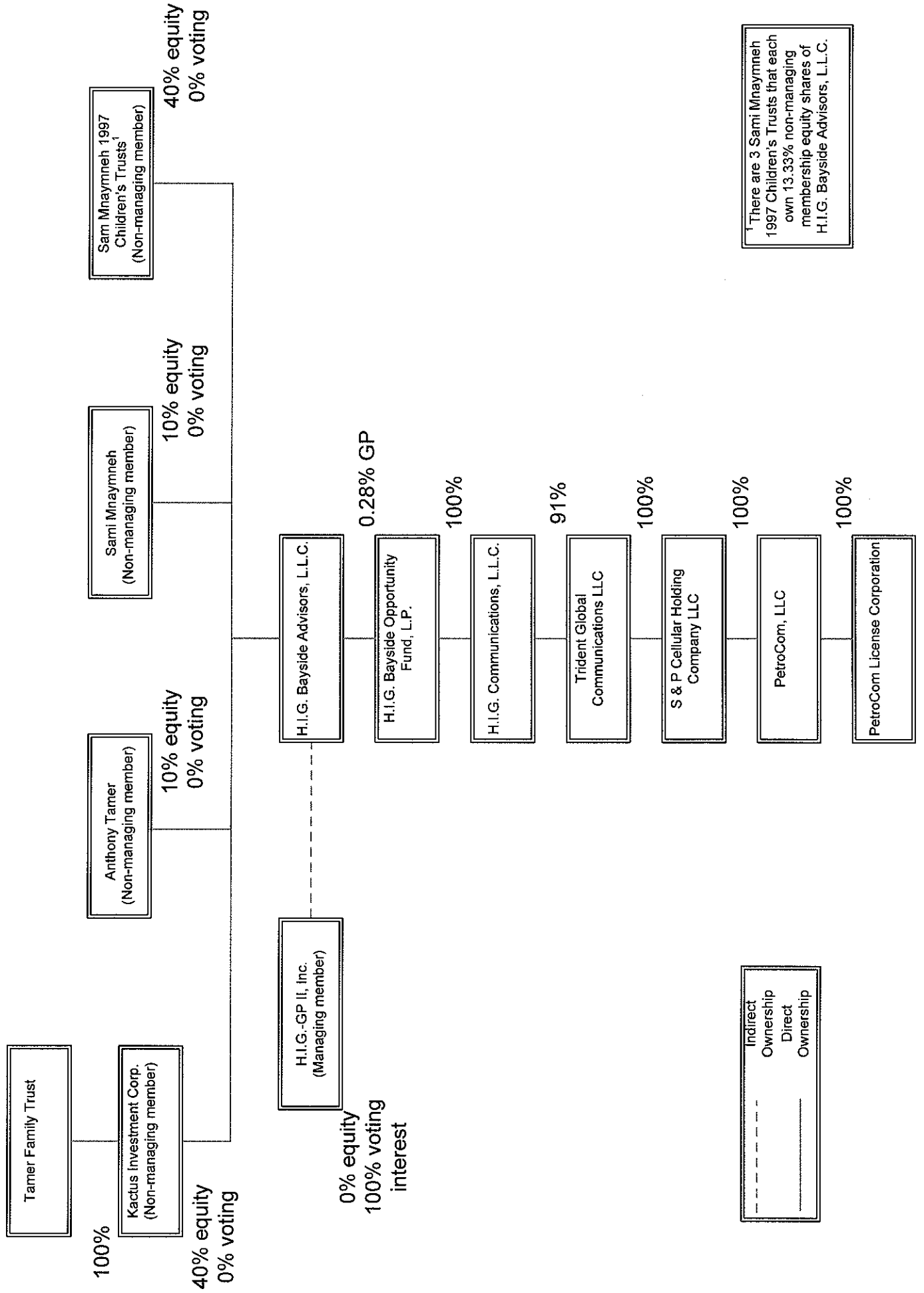


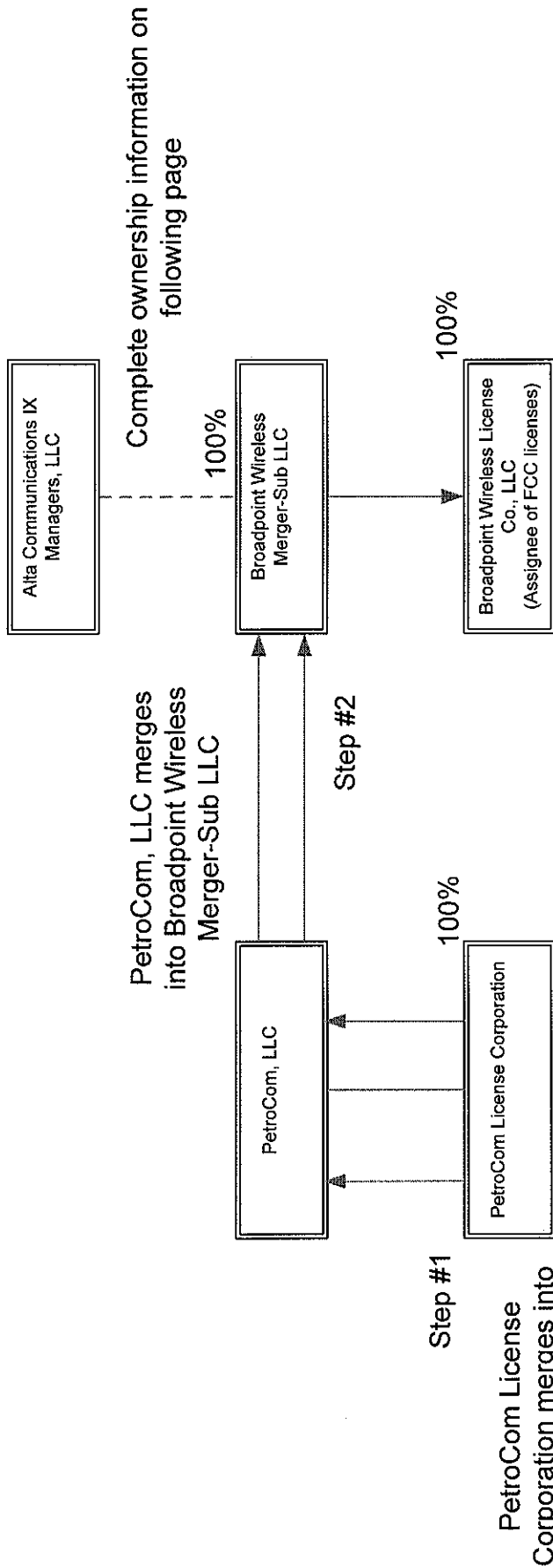
Exhibit – Pre-Transaction Ownership Structure



¹ There are 3 Sami Mnaymneh 1997 Children's Trusts that each own 13.33% non-managing membership equity shares of H.I.G. Bayside Advisors, L.L.C.

----- Indirect Ownership
 _____ Direct Ownership

Exhibit – Transaction Ownership Structure



Step #3

Assignment of licenses to
Broadpoint Wireless
License Co., LLC

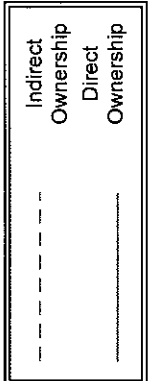


Exhibit – Post-Transaction Ownership Structure

