

**TORUK AP11**

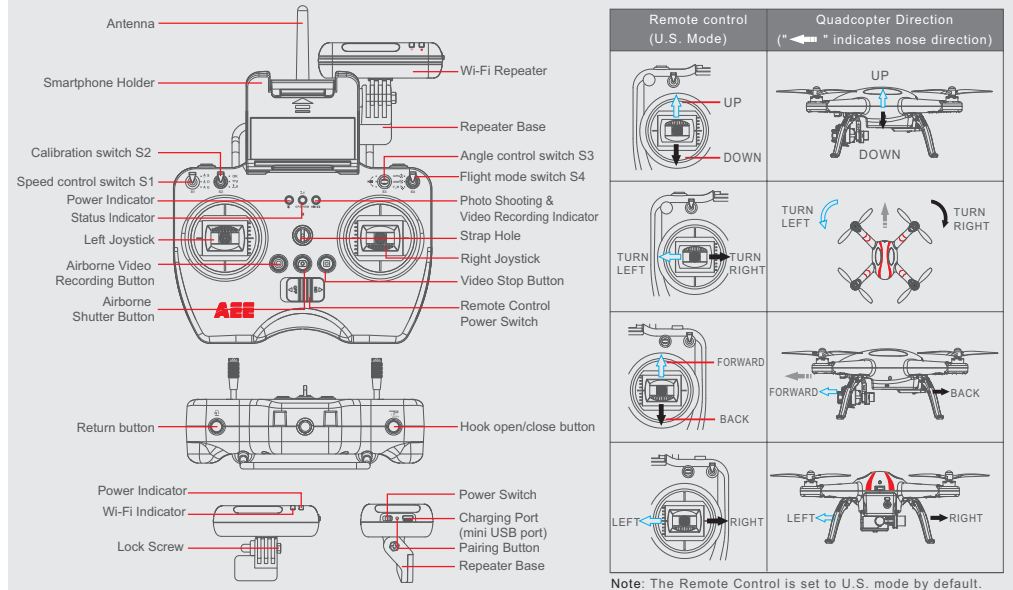
Fly with freedom • Shoot with passion

**Disclaimer**

Please read this disclaimer carefully before using the product of Quadcopter. This product is not suitable for people under the age of 18. By using this product, you hereby agree to this disclaimer and signify that you have read them fully. You agree that you are responsible for your own conduct and content while using this product, and for any consequences there of. You agree to use this product only for purposes that are proper and in accordance with the terms and any applicable or guidelines AEE may make available.

1. Shenzhen AEE Technology Co., Ltd. reserves the right of final interpretation of this disclaimer.
2. Any part of this disclaimer is subject to change without prior notice.
3. This disclaimer is available in multiple languages. In case of any discrepancy, the Chinese version shall prevail.
4. For more detailed or latest product information, please visit [www.aee.com](http://www.aee.com).

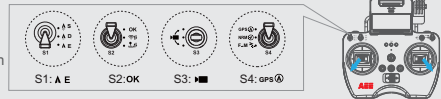
**Remote control and Wi-Fi Repeater Description**



**10 Taking off and Landing(Outdoors)**

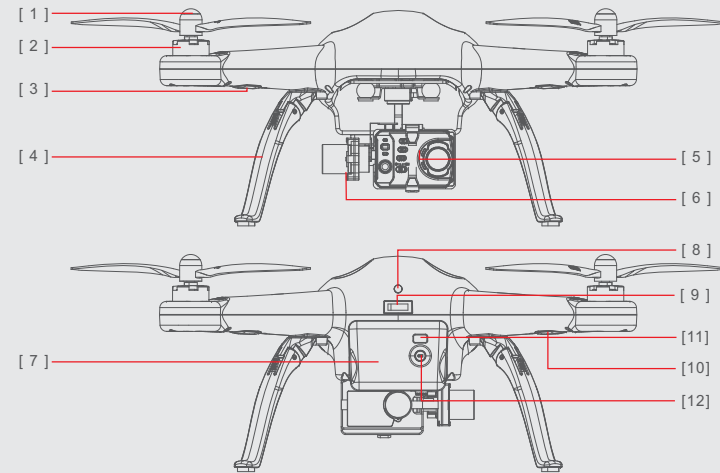
**Taking off**

- 1) Place Quadcopter (with full power battery) on a flat and open ground, and ensure Tail Indicator faces toward you.
  - 2) Turn on the remote control, repeater and camera and enable the Wi-Fi function of the camera in sequence; last, turn on the aircraft (Do Not turn on the aircraft before the Wi-Fi function of the camera is enabled);
  - 3) Be sure the Remote control is set exactly as the figure below.
  - 4) Starting motors: toggle the left joystick to left bottom corner and toggle right joystick to right bottom corner at the mean time to start motors. Once the motors start please release the joysticks immediately.
  - 5) Push the left joystick slowly, then Quadcopter take off. Please refer AEE Quadcopter User Manual for more details.
- ⚠️ Note:** The motors can not be started until GPS signal is ready (Tail Indicator (green) remains on).
1. Upon startup, the airborne camera and the repeater will pair with each other. Please wait for about 30S to ensure that pairing is completed, so that the airborne camera can record videos normally.
  2. After the aircraft is powered on, the aircraft and the PTZ will start self-test. Do not shake the aircraft or the PTZ at this moment; otherwise, the aircraft and the PTZ will fail the self-test.  
(The PTZ can be used only when the camera is installed; otherwise the PTZ may be damaged)
  3. Before installing the camera onto the aircraft, it is suggested that the auto standby function of the camera should be disabled.
  4. When the aircraft complete searching for GPS satellites, the tail light (green) will remain on. During flight, please do not turn the joysticks of the remote control to a lower toe-out pattern, which will stop the motors.



**Landing:**

- 1) Slowly pull the left joystick to lower Quadcopter until it touches the ground(only on flat and open ground).
  - 2) After landing, pull the left joystick to the lowest position and hold for more than 3 seconds until the motors stop.
  - 3) Power off Quadcopter by sliding the switch to OFF.
  - 4) Remove the battery.
  - 5) Power off Remote control and Wi-Fi Repeater.
- ⚠️ Important:**
- 1) Control the flight height under your control during your first flight.
  - 2) Do not stop the motors during flight, or it will cause the Quadcopter to drop without control.



- |                                   |                       |  |                      |
|-----------------------------------|-----------------------|--|----------------------|
| [ 1 ] Propeller                   | [ 2 ] Motor           | [ 3 ] Front Indicator                    | [ 4 ] Landing Gear   |
| [ 5 ] Camera                      | [ 6 ] 3-Axials Gimbal | [ 7 ] Quadcopter Battery                 | [ 8 ] Tail Indicator |
| [ 9 ] Power Switch                | [ 10 ] Rear Indicator | [ 11 ] Battery Level LCD Segment Display |                      |
| [ 12 ] Battery Level Check Button |                       |  |                      |



## FCC Information and Copyright

This equipment has been tested and found to comply with the limits for a Class B digital device, pursuant to part 15 of the FCC Rules.

These limits are designed to provide reasonable protection against harmful interference in a residential installation. This equipment generates, uses and can radiate radio frequency energy and, if not installed and used in accordance with the instructions, may cause harmful interference to radio communications. However, there is no guarantee that interference will not occur in a particular installation. If this equipment does cause harmful interference to radio or television reception, which can be determined by turning the equipment off and on, the user is encouraged to try to correct the interference by one or more of the following measures:

- Reorient or relocate the receiving antenna.
- Increase the separation between the equipment and receiver.
- Connect the equipment into an outlet on a circuit different from that to which the receiver is connected.
- Consult the dealer or an experienced radio/TV technician for help.

### 15.19 Labelling requirements.

This device complies with part 15 of the FCC Rules. Operation is subject to the following two conditions:

- (1) This device may not cause harmful interference, and
- (2) this device must accept any interference received, including interference that may cause undesired operation.

changes or modifications not expressly approved by the party responsible for compliance could void the user's authority to operate the equipment.