

HAC_E_Dipole_835

DUT: HAC-Dipole 835 MHz

Communication System: CW; Frequency: 835 MHz; Duty Cycle: 1:1

Medium: Air Medium parameters used: $\sigma = 0$ S/m, $\epsilon_r = 1$; $\rho = 0$ kg/m³

Ambient Temperature : 23.6 °C

DASY5 Configuration

- Probe: EF3DV3 - SN4047; ConvF(1, 1, 1) @ 835 MHz; Calibrated: 2022/1/24
- Sensor-Surface: (Fix Surface)
- Electronics: DAE4 Sn1311; Calibrated: 2021/8/20
- Phantom: HAC Test Arch with AMCC; Type: SD HAC P01 BA;
- Measurement SW: DASY52, Version 52.10 (4); SEMCAD X Version 14.6.14 (7483)

E Scan - measurement distance from the probe sensor center to CD835 = 10mm & 15mm/Hearing Aid Compatibility Test at 15mm distance (41x361x1): Interpolated grid: dx=0.5000 mm, dy=0.5000 mm

Device Reference Point: 0, 0, -6.3 mm

Reference Value = 129.9 V/m; Power Drift = -0.06 dB

PMR not calibrated. PMF = 1.000 is applied.

E-field emissions = 122.2 V/m

Average value of Total=(122.2+105.2) / 2 = 113.7 V/m

PMF scaled E-field

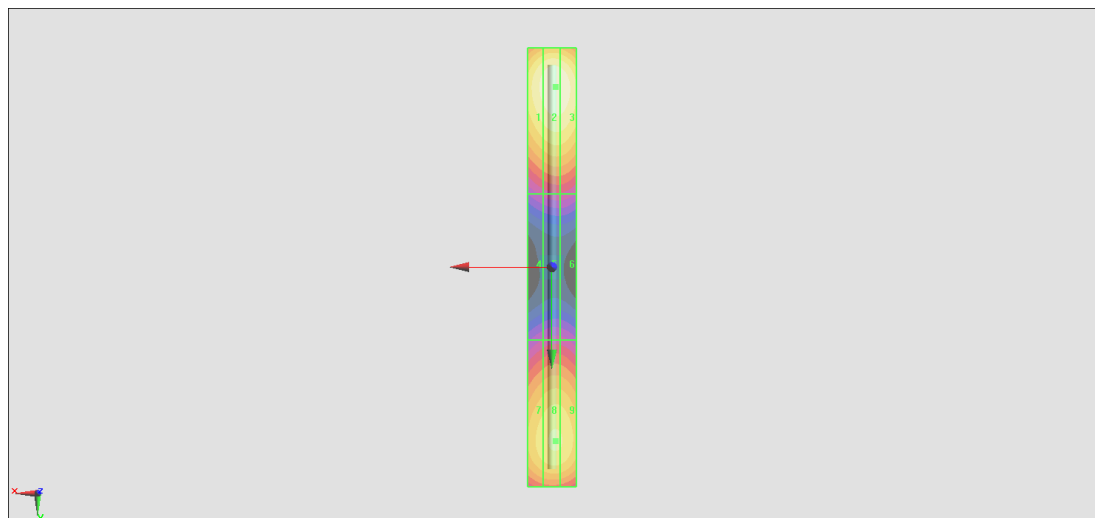
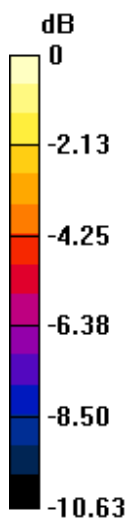
Grid 1 M4 116.6 V/m	Grid 2 M4 122.2 V/m	Grid 3 M4 121.1 V/m
Grid 4 M4 60.57 V/m	Grid 5 M4 63.15 V/m	Grid 6 M4 63.10 V/m
Grid 7 M4 101.3 V/m	Grid 8 M4 105.2 V/m	Grid 9 M4 104.5 V/m

Cursor:

Total = 122.2 V/m

E Category: M4

Location: -1.5, -74, 9.7 mm



0 dB = 122.2 V/m = 41.74 dBV/m

HAC_E_Dipole_1880

DUT: HAC Dipole 1880 MHz

Communication System: CW; Frequency: 1880 MHz; Duty Cycle: 1:1

Medium: Air Medium parameters used: $\sigma = 0 \text{ S/m}$, $\epsilon_r = 1$; $\rho = 0 \text{ kg/m}^3$

Ambient Temperature : 23.6 °C

DASY5 Configuration

- Probe: EF3DV3 - SN4047; ConvF(1, 1, 1) @ 1880 MHz; Calibrated: 2022/1/24
- Sensor-Surface: (Fix Surface)
- Electronics: DAE4 Sn1311; Calibrated: 2021/8/20
- Phantom: HAC Test Arch with AMCC; Type: SD HAC P01 BA;
- Measurement SW: DASY52, Version 52.10 (4); SEMCAD X Version 14.6.14 (7483)

E Scan - measurement distance from the probe sensor center to CD1880 = 10mm & 15mm/Hearing Aid Compatibility Test at 15mm distance (41x181x1): Interpolated grid: dx=0.5000 mm, dy=0.5000 mm

Device Reference Point: 0, 0, -6.3 mm

Reference Value = 172.0 V/m; Power Drift = 0.09 dB

PMR not calibrated. PMF = 1.000 is applied.

E-field emissions = 92.63 V/m

Average value of Total=(89.59+92.63) / 2 = 91.11 V/m

PMF scaled E-field

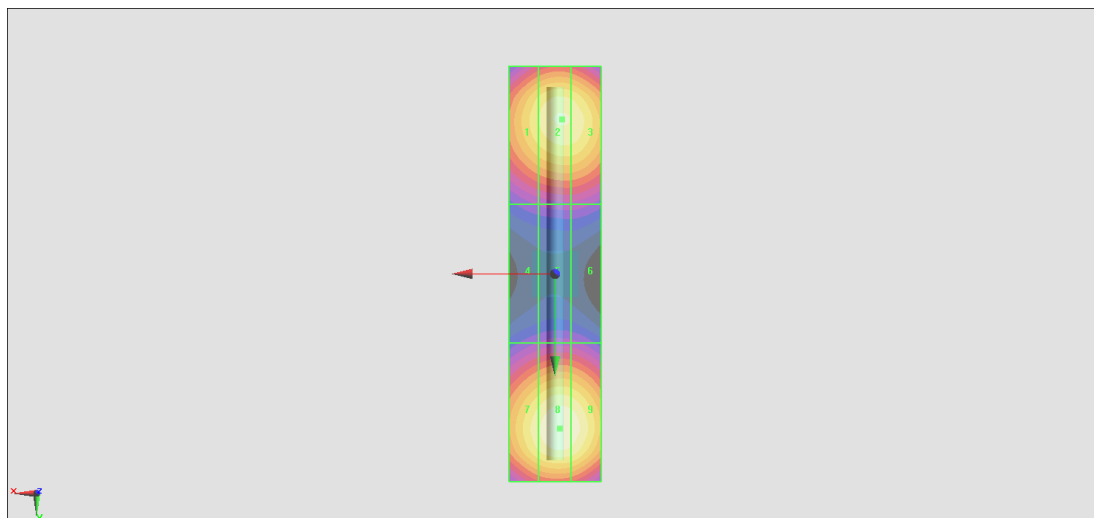
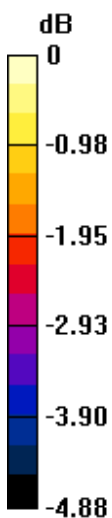
Grid 1 M3 86.02 V/m	Grid 2 M3 89.59 V/m	Grid 3 M3 89.09 V/m
Grid 4 M3 64.09 V/m	Grid 5 M3 65.47 V/m	Grid 6 M3 65.45 V/m
Grid 7 M3 88.91 V/m	Grid 8 M3 92.63 V/m	Grid 9 M3 91.65 V/m

Cursor:

Total = 92.63 V/m

E Category: M3

Location: -1, 33.5, 9.7 mm



0 dB = 92.63 V/m = 39.34 dBV/m

HAC_E_Dipole_2450

DUT: HAC Dipole 2450 MHz

Communication System: CW; Frequency: 2450 MHz; Duty Cycle: 1:1
 Medium: Air Medium parameters used: $\sigma = 0$ S/m, $\epsilon_r = 1$; $\rho = 0$ kg/m³
 Ambient Temperature : 23.6 °C

DASY5 Configuration

- Probe: EF3DV3 - SN4047; ConvF(1, 1, 1) @ 2450 MHz; Calibrated: 2022/1/24
- Sensor-Surface: (Fix Surface)
- Electronics: DAE4 Sn1311; Calibrated: 2021/8/20
- Phantom: HAC Test Arch with AMCC; Type: SD HAC P01 BA;
- Measurement SW: DASY52, Version 52.10 (4); SEMCAD X Version 14.6.14 (7483)

E Scan - measurement distance from the probe sensor center to CD2450 = 10mm & 15mm
2/Hearing Aid Compatibility Test at 15mm distance (41x181x1): Interpolated grid: dx=0.5000 mm, dy=0.5000 mm

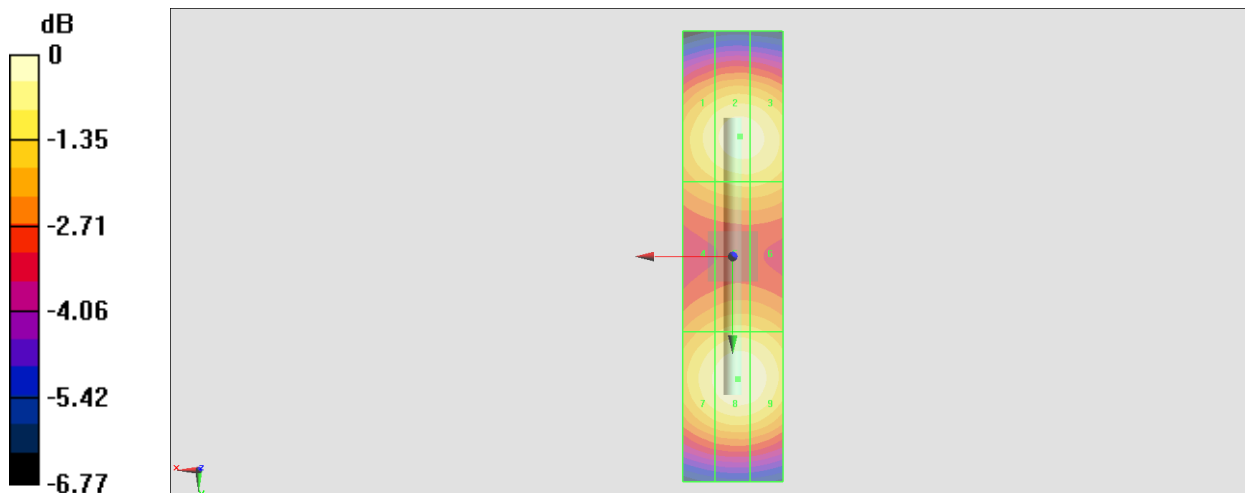
Device Reference Point: 0, 0, -6.3 mm
 Reference Value = 76.43 V/m; Power Drift = 0.02 dB
 PMR not calibrated. PMF = 1.000 is applied.
 E-field emissions = 81.54 V/m
 Average value of Total=(80.13+81.54) / 2 = 80.835 V/m

PMF scaled E-field

Grid 1 M3 76.63 V/m	Grid 2 M3 80.13 V/m	Grid 3 M3 79.59 V/m
Grid 4 M3 69.40 V/m	Grid 5 M3 71.76 V/m	Grid 6 M3 71.42 V/m
Grid 7 M3 78.27 V/m	Grid 8 M3 81.54 V/m	Grid 9 M3 80.84 V/m

Cursor:

Total = 81.54 V/m
 E Category: M3
 Location: -1, 24.5, 9.7 mm



0 dB = 81.54 V/m = 38.23 dBV/m

HAC_E_Dipole_2600

DUT: HAC Dipole 2600 MHz

Communication System: CW; Frequency: 2600 MHz; Duty Cycle: 1:1

Medium: Air Medium parameters used: $\sigma = 0$ S/m, $\epsilon_r = 1$; $\rho = 0$ kg/m³

Ambient Temperature : 23.6 °C

DASY5 Configuration

- Probe: EF3DV3 - SN4047; ConvF(1, 1, 1) @ 2600 MHz; Calibrated: 2022/1/24
- Sensor-Surface: (Fix Surface)
- Electronics: DAE4 Sn1311; Calibrated: 2021/8/20
- Phantom: HAC Test Arch with AMCC; Type: SD HAC P01 BA;
- Measurement SW: DASY52, Version 52.10 (4); SEMCAD X Version 14.6.14 (7483)

E Scan - measurement distance from the probe sensor center to CD2600 = 10mm & 15mm/Hearing Aid Compatibility Test at 15mm distance (41x181x1): Interpolated grid: dx=0.5000 mm, dy=0.5000 mm

Device Reference Point: 0, 0, -6.3 mm

Reference Value = 70.04 V/m; Power Drift = -0.02 dB

PMR not calibrated. PMF = 1.000 is applied.

E-field emissions = 87.32 V/m

Average value of Total=(86.13+87.32) / 2 = 86.725 V/m

PMF scaled E-field

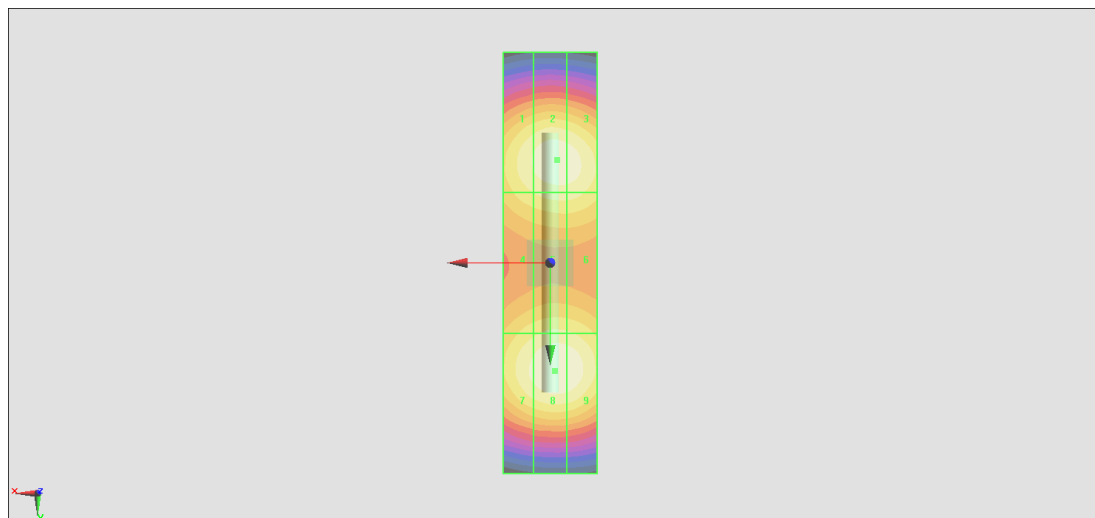
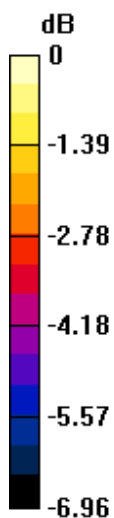
Grid 1 M3 83.29 V/m	Grid 2 M3 86.13 V/m	Grid 3 M3 85.57 V/m
Grid 4 M3 78.64 V/m	Grid 5 M3 80.85 V/m	Grid 6 M3 80.74 V/m
Grid 7 M3 84.12 V/m	Grid 8 M3 87.32 V/m	Grid 9 M3 86.68 V/m

Cursor:

Total = 87.32 V/m

E Category: M3

Location: -1, 23, 9.7 mm



0 dB = 87.32 V/m = 38.82 dBV/m

HAC_E_Dipole_3500

DUT: HAC Dipole 3500 MHz

Communication System: CW; Frequency: 3500 MHz; Duty Cycle: 1:1

Medium: Air Medium parameters used: $\sigma = 0$ S/m, $\epsilon_r = 1$; $\rho = 0$ kg/m³

Ambient Temperature : 23.6 °C

DASY5 Configuration

- Probe: EF3DV3 - SN4047; ConvF(1, 1, 1) @ 3500 MHz; Calibrated: 2022/1/24
- Sensor-Surface: (Fix Surface)
- Electronics: DAE4 Sn1311; Calibrated: 2021/8/20
- Phantom: HAC Test Arch with AMCC; Type: SD HAC P01 BA;
- Measurement SW: DASY52, Version 52.10 (4); SEMCAD X Version 14.6.14 (7483)

E Scan - measurement distance from the probe sensor center to CD3500 = 10mm & 15mm/Hearing Aid Compatibility Test at 15mm distance (41x121x1): Interpolated grid: dx=0.5000 mm, dy=0.5000 mm

Device Reference Point: 0, 0, -6.3 mm

Reference Value = 36.46 V/m; Power Drift = 0.04 dB

PMR not calibrated. PMF = 1.000 is applied.

E-field emissions = 88.14 V/m

Average value of Total=(88.14+86.92) / 2 = 87.53 V/m

PMF scaled E-field

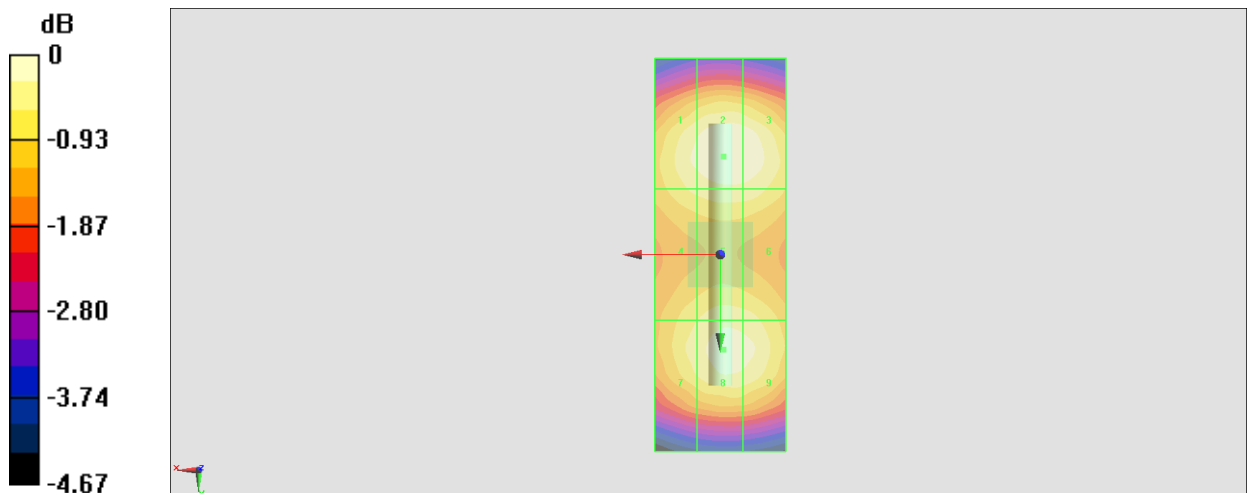
Grid 1 M3 85.87 V/m	Grid 2 M3 88.14 V/m	Grid 3 M3 87.70 V/m
Grid 4 M3 82.96 V/m	Grid 5 M3 84.44 V/m	Grid 6 M3 84.23 V/m
Grid 7 M3 83.90 V/m	Grid 8 M3 86.92 V/m	Grid 9 M3 86.15 V/m

Cursor:

Total = 88.14 V/m

E Category: M3

Location: -0.5, -15, 9.7 mm



0 dB = 88.14 V/m = 38.90 dBV/m