



America

Certification Exhibit

**FCC ID: SK9OW1
IC: 864G-OW1**

**FCC Rule Part: 15.247
ISED Canada Radio Standards Specification: RSS-247**

Project Number: 72127781

**Manufacturer: Itron, Inc.
Model: OW1**

Manual



Electric / Gas / Water
Information collection, analysis and application

313 North Highway 11
West Union, SC 29696
864.638.8300 Tel
864.638.4848 Fax
www.itron.com

OW1
OpenWay® Riva™ CAM /
ACT Technical Reference Guide
Effective Date: May, 2017



Revision History

The following table describes the changes to this document for each revision of the OW1 module:

Revision	Date	Description of Change
A	August, 2016	Initial Release
B	May, 2017	2 nd edition



Labeling

The following requirements will be applied to any products that use this module:

The end product or host label will include the following text:

- **Contains:**
- **FCC ID: SK9OW1**
- **IC: 864G-OW1, Model: OW1**

The user's manual for any product that contains this module will contain the following text. If the device is large enough, then this will also be placed on the label.

“This device complies with Part 15 of the FCC Rules. Operation is subject to the following two conditions: (1) this device may not cause harmful interference, and (2) this device must accept any interference received, including interference that may cause undesired operation.”

Regulatory Compliance

The user's manual for any product that contains this module will contain the following text:

FCC Part 15, Class B

This equipment has been tested and found to comply with the limits for a Class B digital device, pursuant to Part 15 of the FCC Rules. These limits are designed to provide reasonable protection against harmful interference in a residential installation. This equipment generates uses and can radiate radio frequency energy and, if not installed and used in accordance with the instructions, may cause harmful interference to radio communications. However, there is no guarantee that interference will not occur in a particular installation. If this equipment does cause harmful interference to radio or television reception, which can be determined by turning the equipment off and on, the user is encouraged to try to correct the interference by one or more of the following measures:

- Reorient or relocate the receiving antenna.
- Increase the separation between the equipment and receiver.
- Connect the equipment into an outlet on a circuit different from that to which the receiver is connected.
- Consult the dealer or an experienced radio/TV technician for help.



Changes or modifications to this device not expressly approved by Itron, Inc. could void the user's authority to operate the equipment.

Innovation, Science and Economic Development Canada (ISED)

This Class B digital apparatus meets all requirements of the Canadian Interference Causing Equipment Regulations. Operation is subject to the following two conditions: (1) this device may not cause harmful interference, and (2) this device must accept any interference received, including interference that may cause undesired operation.



Cet appareillage numérique de la classe B répond à la norme Canadienne sur le matériel brouilleur. L'opération est sujette aux deux conditions suivantes: (1) ce dispositif ne peut pas causer d'interférence nocive, et (2) ce dispositif doit accepter n'importe quelle interférence reçue, y compris les interférences pouvant entraîner un fonctionnement indésirable.

Under Innovation, Science and Economic Development Canada regulations, this radio transmitter may only operate using an antenna of a type and maximum (or lesser) gain approved for the transmitter by Innovation, Science and Economic Development Canada. To reduce potential radio interference to other users, the antenna type and its gain should be so chosen that the equivalent isotropically radiated power (e.i.r.p.) is not more than that necessary for successful communication.

Conformément à la réglementation d'Industrie Canada, le présent émetteur radio peut fonctionner avec une antenne d'un type et d'un gain maximal (ou inférieur) approuvé pour l'émetteur par Industrie Canada. Dans le but de réduire les risques de brouillage radioélectrique à l'intention des autres utilisateurs, il faut choisir le type d'antenne et son gain de sorte que la puissance isotrope rayonnée équivalente (p.i.r.e.) ne dépasse pas l'intensité nécessaire à l'établissement d'une communication satisfaisante.

Approved antenna types that can be used for the 900 MHz radio

- Omni-directional vertically polarized antenna (2.8 dBi) attached directly to the CGR.
- Omni-directional vertically polarized antenna (5.1 dBi) that can be attached remotely or directly to the CGR.
- Omni-directional vertically polarized remote antenna (8.15 dBi) mounted remotely in place of the direct attached solution.

Antenna supplied with CGR for CAM.

Omni-directional Vertically Polarized Antenna
Frequency: 806 - 960 MHz
VSWR: 2:1 max
Maximum Gain: 2.8 dBi

Customer supplied remote antennas should meet the following specifications.

Omni-directional Vertically Polarized Antenna
Frequency: 902 - 960 MHz
VSWR: 1.92:1 or less
Maximum Gain: 5.1 dBi

Omni-directional Vertically Polarized Antenna
Frequency: 902 - 928 MHz
VSWR: 1.5:1 or less
*Maximum Gain: 8.1 dBi

***Warning!** To meet regulatory compliance requirements a minimum of 2.2 dB of loss must be coupled between this antenna and the CGR.



RF Exposure (FCC/ISED)

“This equipment complies with radiation exposure limits set forth for an uncontrolled environment. This equipment should be installed and operated with minimum distance 20 cm between the radiator and your body. This transmitter must not be co-located or operating in conjunction with any other antenna or transmitter.”

“Cet équipement est conforme aux limites d'exposition aux radiations dans un environnement non contrôlé. Cet équipement doit être installé et utilisé à distance minimum de 20 cm entre le radiateur et votre corps. Cet émetteur ne doit pas être co-localisées ou opérant en conjonction avec tout autre antenne ou transmetteur.”

Miscellaneous

The user's manual for any product that contains this module will contain the following text:

Professional Installation

This module and any approved remote antennas are intended for professional installation by the integrator. The OEM integrator is still responsible for the FCC compliance requirement of the end product, which integrates this module and any antennas.

Itron only sells to public or private utilities and since each utility deployment will be unique with regards to the required cabling and type of antenna, the cabling and antennas will be provided and installed by trained utility personnel.

Modification and Repairs

To ensure FCC compliance and system performance, this device, antenna and/or coaxial assembly shall not be changed or modified without the express written approval of Itron. Any unauthorized modification will void the user's authority to operate the equipment. **WARNING!** This device contains no user serviceable parts. Attempts to repair this device by unauthorized personnel may subject the person to shock hazard if removal of protective covers is attempted. Unauthorized repair will void the warranty and/or maintenance contract with your company.

General Description

The Itron OW1 is a communications module which includes a 902.2 MHz to 927.8 MHz transmitter. The module operates on DC voltage which is supplied by a host device.

Recycling Information

The product you have purchased contains circuit boards. At the end of the modules useful life, under various state and local laws, it may be illegal to dispose of certain components into the municipal waste system. Check with your local solid waste officials for details about recycling options or proper disposal.

About this Manual

This technical reference guide describes the installation of the OW1 for the Cisco 1240 CGR.

Installation

The OW1 module will be installed in the Cisco 1240 CGR.



CHAPTER 2

Cisco Multi-purpose Integrated Antenna (ANT-MP-INT-OUT-M)

The Cisco Multipurpose Integrated Antenna is designed to cover domestic frequencies from 806 to 960 MHz and 1710 to 2700 MHz. It is supported on the Cisco CGR 1240 router.

This antenna is compatible with any Cisco 3G cellular device that uses a TNC connector and requires a wall-mounted or mast-mounted outdoor antenna.



Caution

Read the information in [Safety Precautions, page 1-15](#) before installing or replacing antennas.

This chapter covers the following topics:

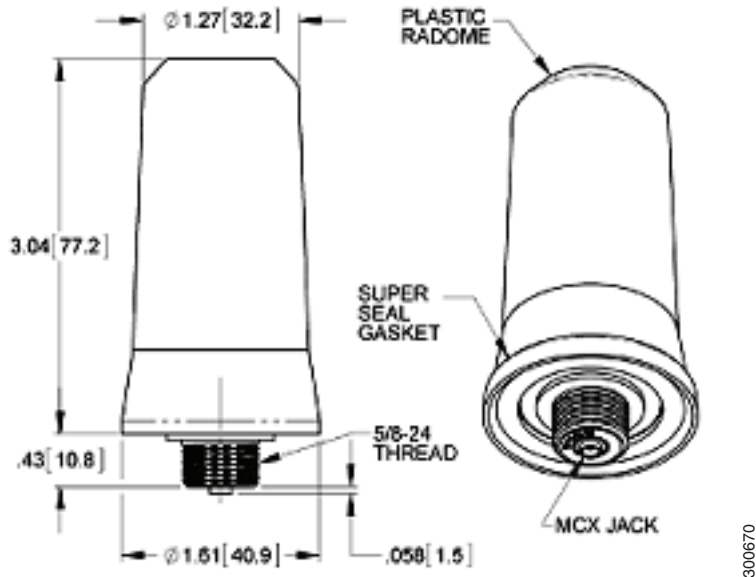
- [Technical Specifications, page 2-1](#)
- [Integrated Antenna Kit, page 2-13](#)
- [Safety Warnings, page 2-14](#)
- [Antenna Installation, page 2-16](#)
- [Obtaining Documentation and Submitting a Service Request, page 2-19](#)

Technical Specifications

The Multi-purpose Integrated Antenna features the following:

- Indoors and outdoors
- Low-profile housing
- Adjustable mounting brackets
- Supports 3G and 4G

Figure 2-1 Monopole Antenna



RF Specifications

The following is a summary of the monopole Radio Frequency (RF) antenna specifications:

Specification	Cisco Connected Grid Monopole Antennas
Operating frequency range	806 to 960 MHz 1710 to 2170 MHz 2300 to 2700 MHz
VSWR	2:1 max
Peak gain 806 to 960 MHz	2.8 dBi
Peak gain 1710 to 2170 MHz	3.5 dBi
Peak gain 2300 to 2700 MHz	4.0 dBi
Average gain @15 degrees elevation 806 to 960 MHz	0.0 dBi +/- 1.0 dB
Average gain @15 degrees elevation 1710 to 2170 MHz	1.0 dBi +/- 1.0 dB
Average gain @15 degrees elevation 2300 to 2700 MHz	2.5 dBi +/- 1.0 dB
Efficiency 806 to 960/1710 to 2170/2300 to 2700 MHz:	60% minimum
Polarization	Vertical -3 dB beamwidth
Horizontal plane	Omni
Vertical plane 806 to 960 MHz	59 degrees average
Vertical plane 1710 to 2170 MHz	46 degrees average
Vertical plane 2300 to 2700 MHz	40 degrees average
Power withstanding	10 W
Connector type	MCX jack

Mechanical Specifications

The following is a summary of the monopole antenna specifications:

Specification	Description
Plastic radome	PC/polyester blend, Makroblend EL 703, .110 think min.
Flammability	UL94 V-0
Color	Cisco gray
Ingress protection	IP67
Weight	90 g
Wind-loading	165 MPH
Overall length	3.04 inches
Installation torque	6 to 9 ft/lbs
Installation tool	Recommended strap wrench, similar to McMaster Car P/N: 5448A31
Operating temperature	-40 to 185 degrees F (-40 to 85 degrees C)

Radiation Patterns

All radiation patterns, gain, and VSWR are measured with the antenna mounted at the center of a 12-by-12-inch ground plane.

Figure 2-2 Radiation Pattern—Vertical Plane

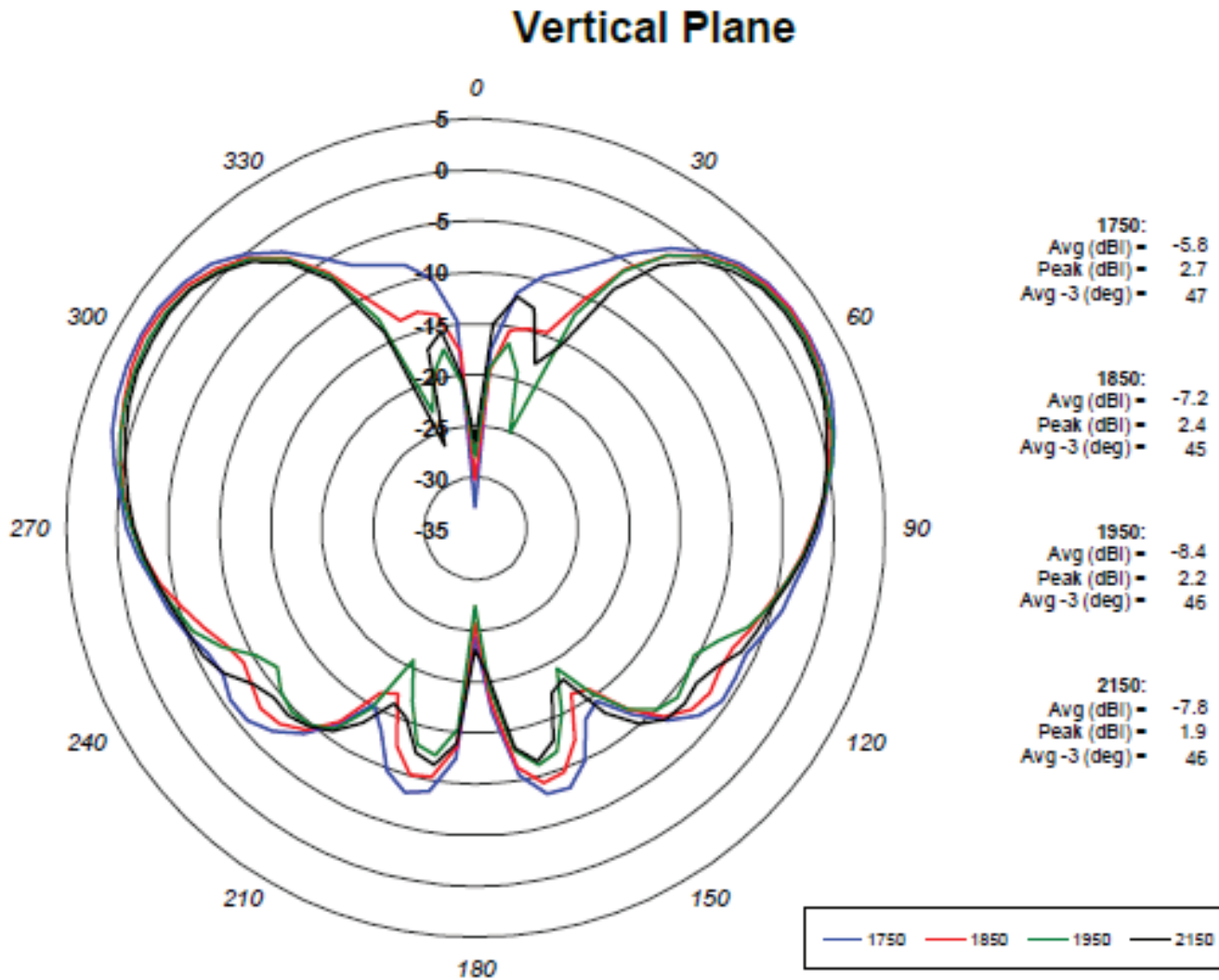
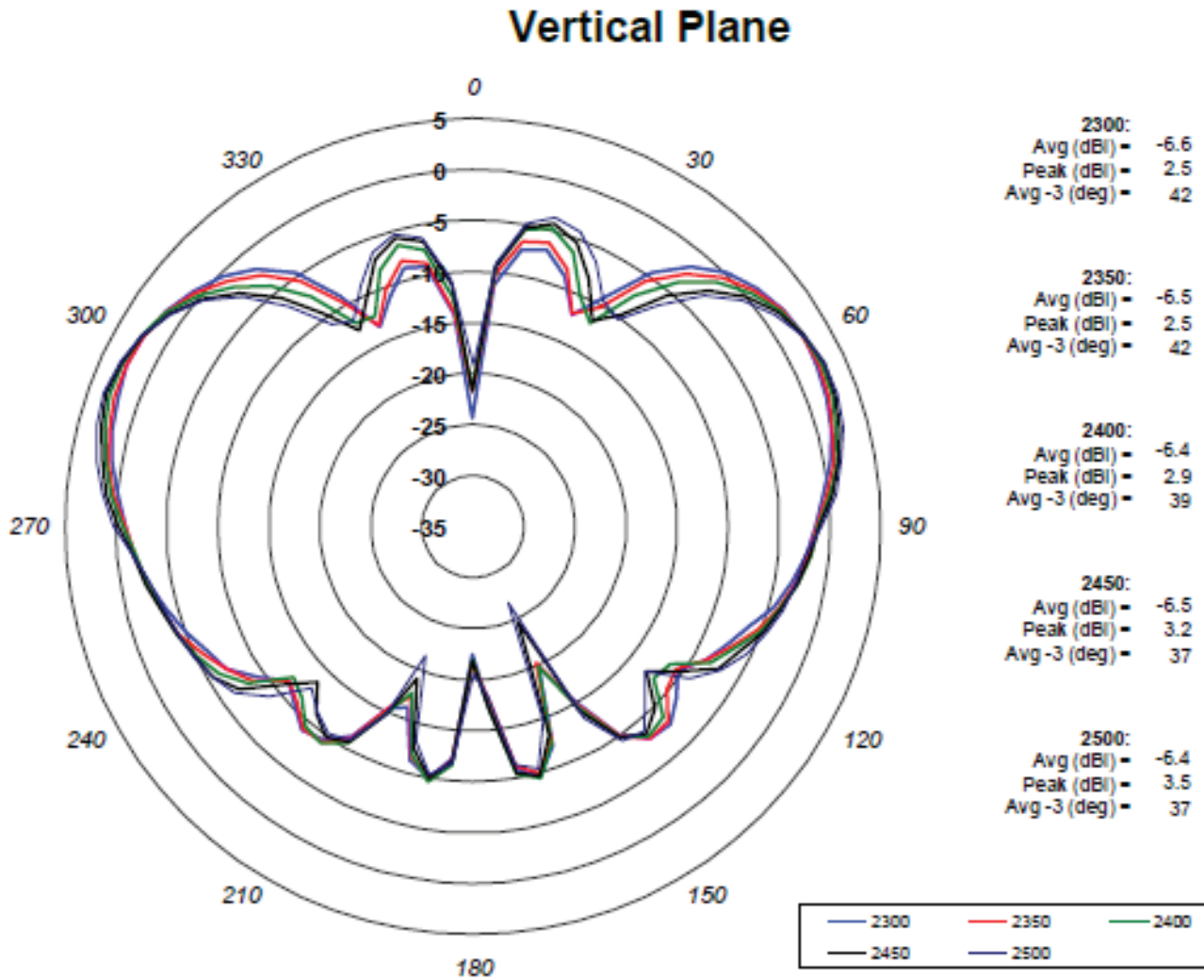
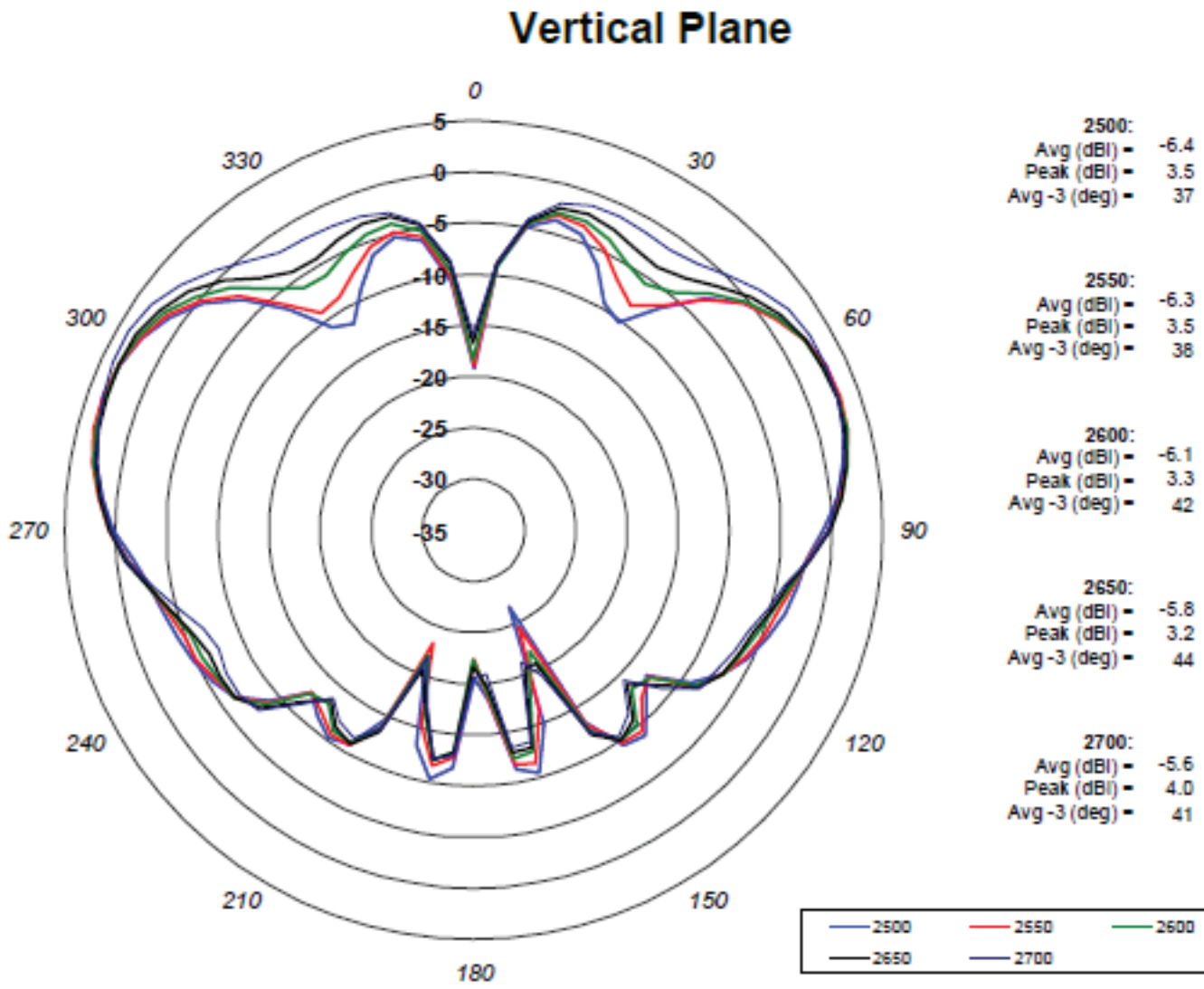


Figure 2-3 Radiation Pattern—Vertical Plane



300659

Figure 2-4 Radiation Pattern—Vertical Plane



3000660

Figure 2-5 Radiation Pattern—Horizontal Plane

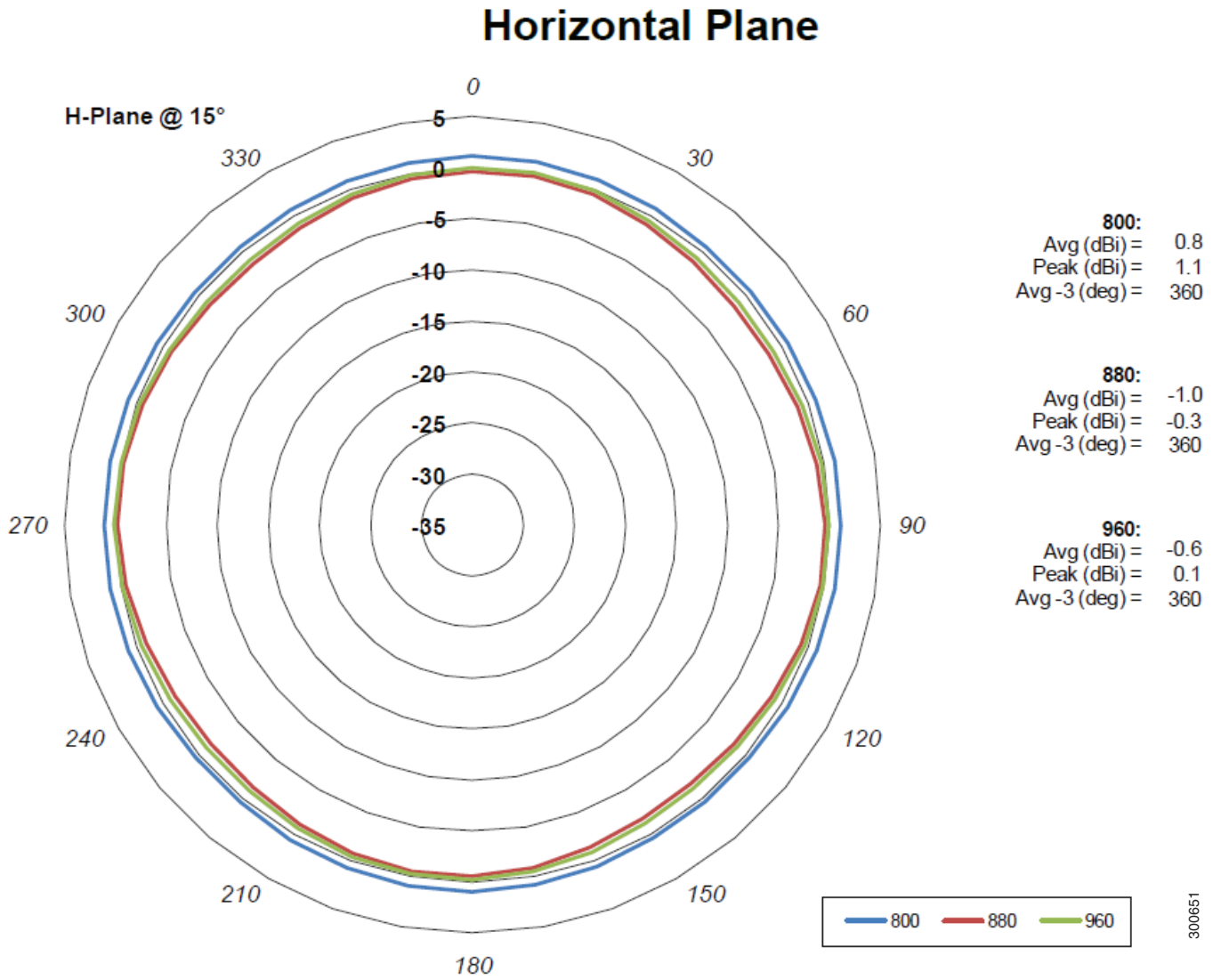
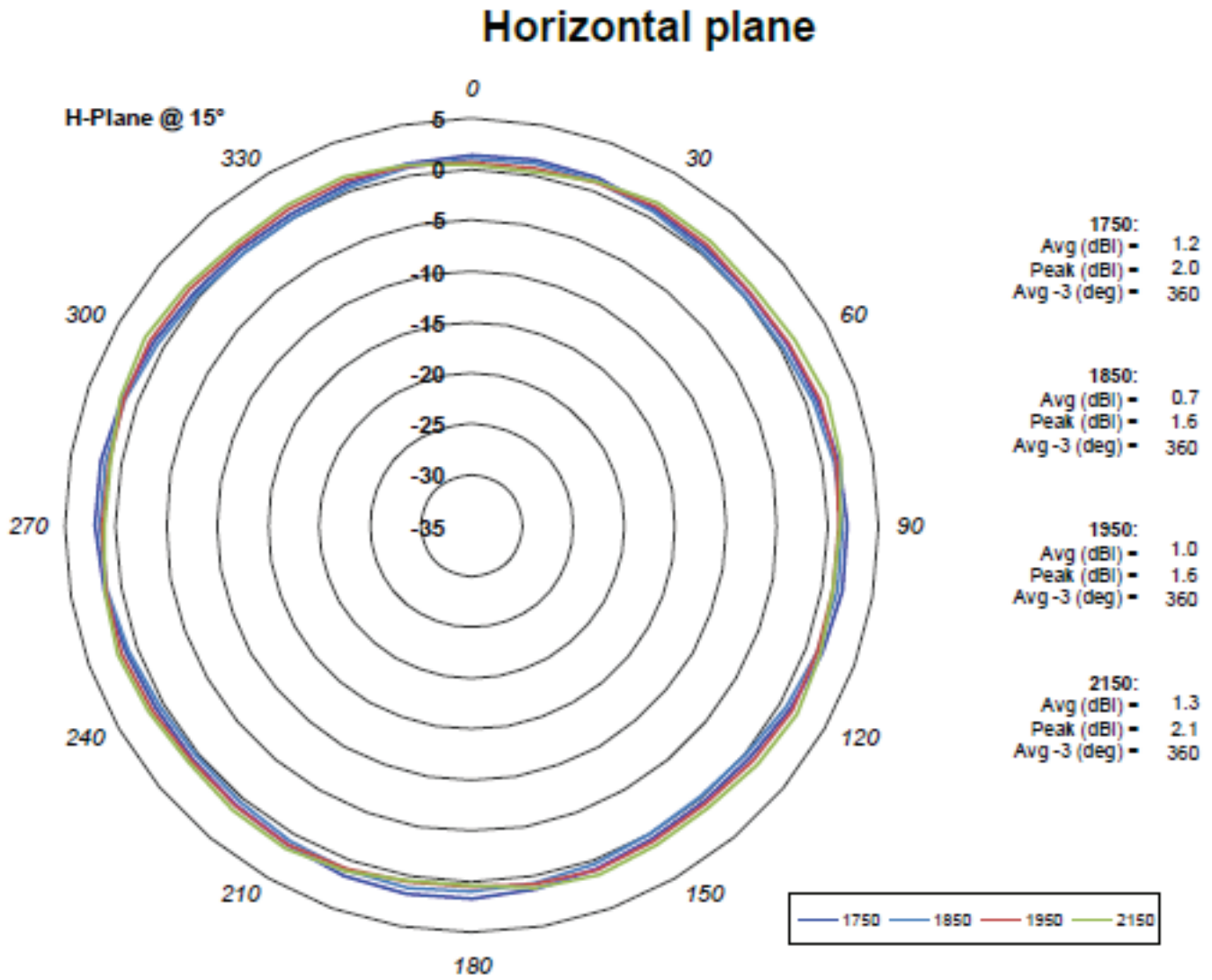


Figure 2-6 Radiation Pattern—Horizontal Plane



300652

Figure 2-7 Radiation Pattern—Horizontal Plane

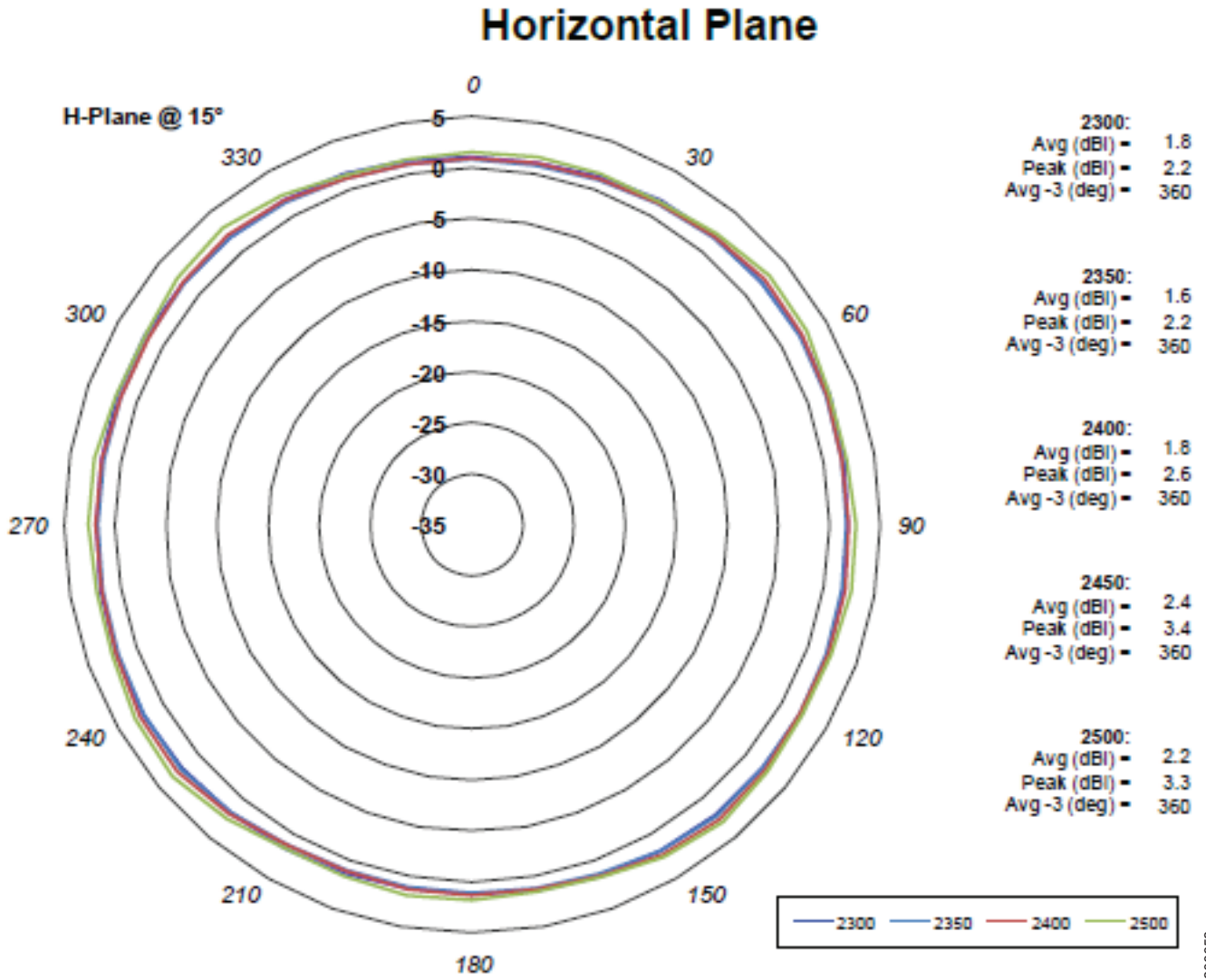
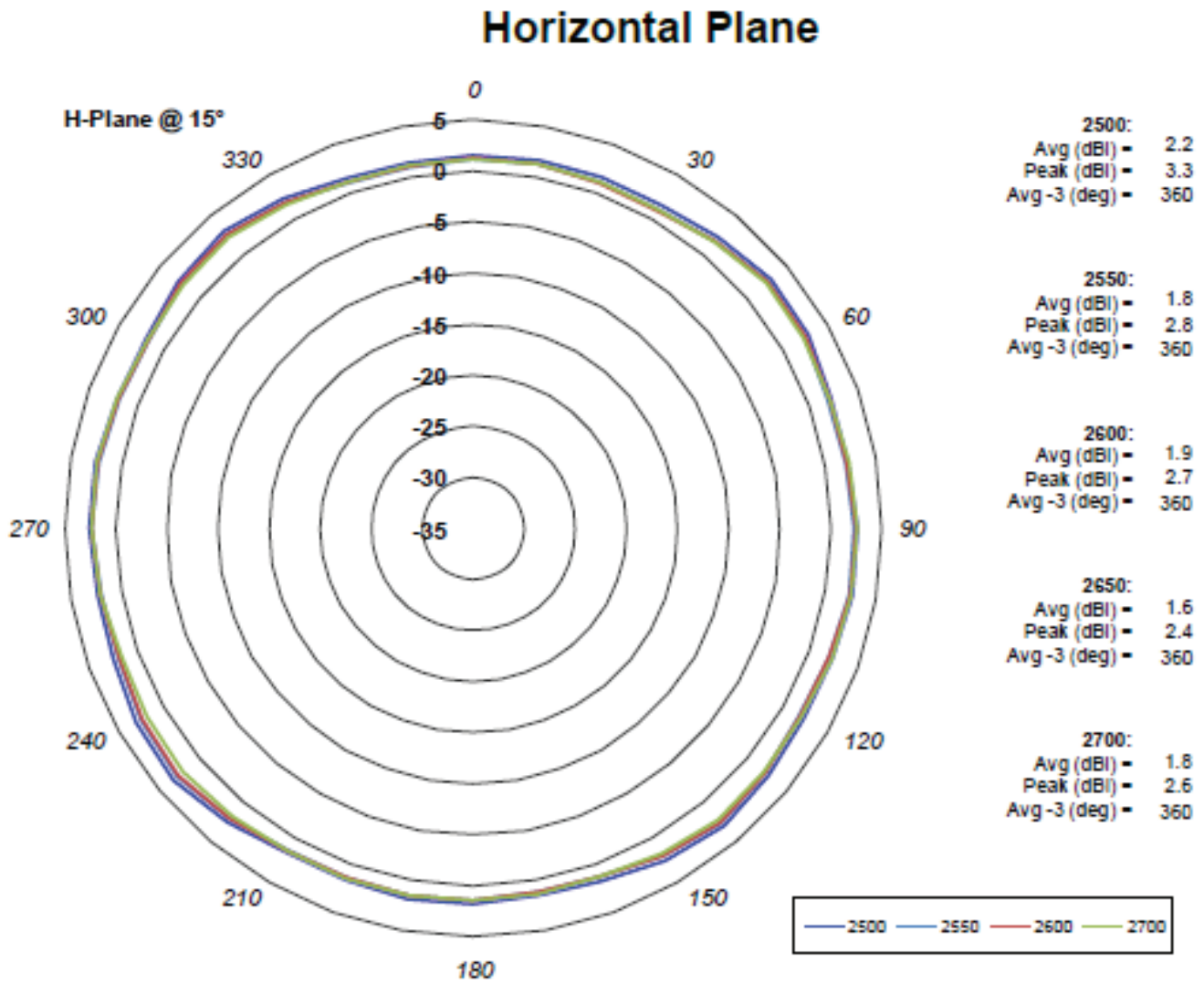
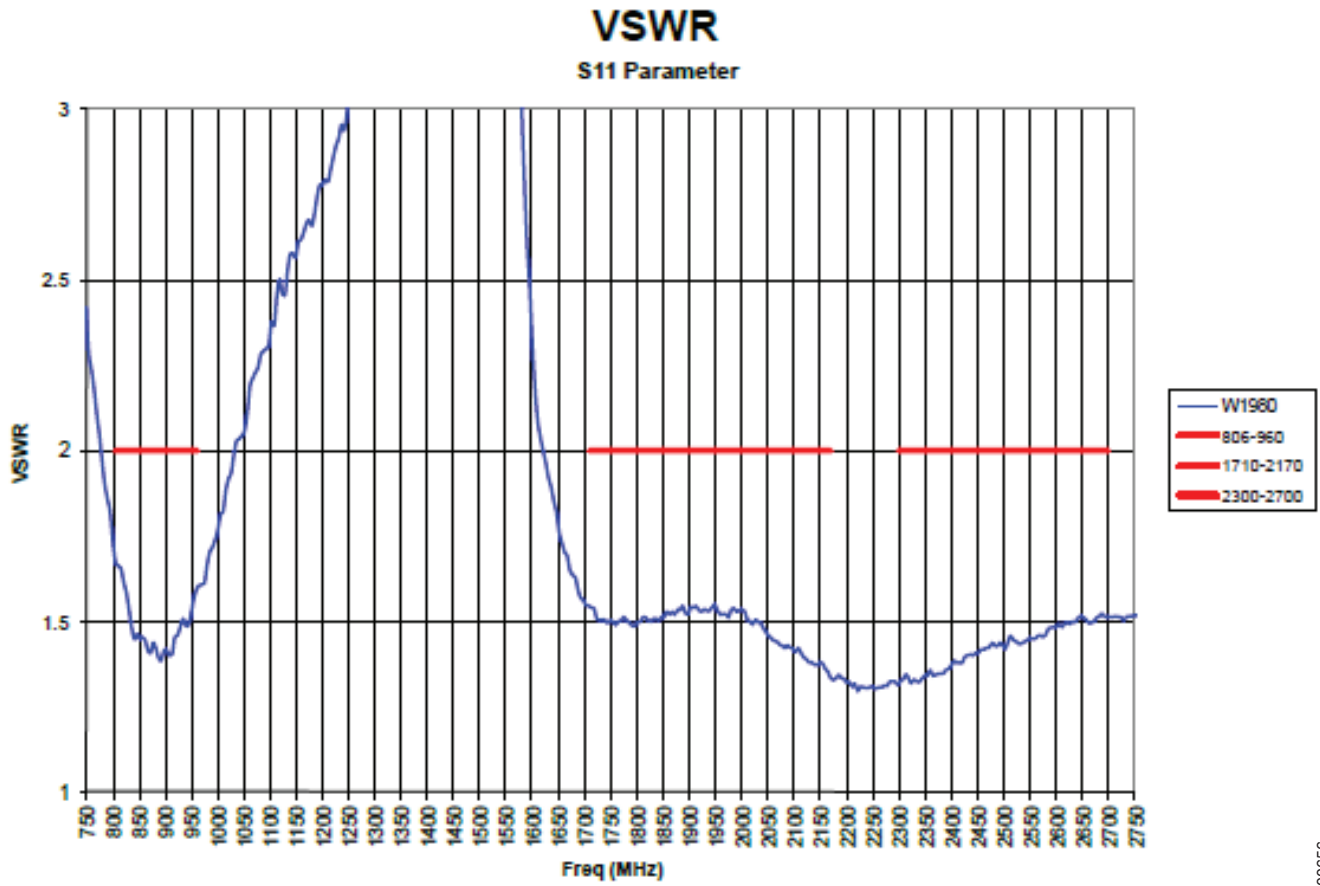


Figure 2-8 Radiation Pattern—Horizontal Plane



300654

Figure 2-9 Radiation Pattern—VSWR



300656

Figure 2-10 Radiation Pattern—Peak Gain

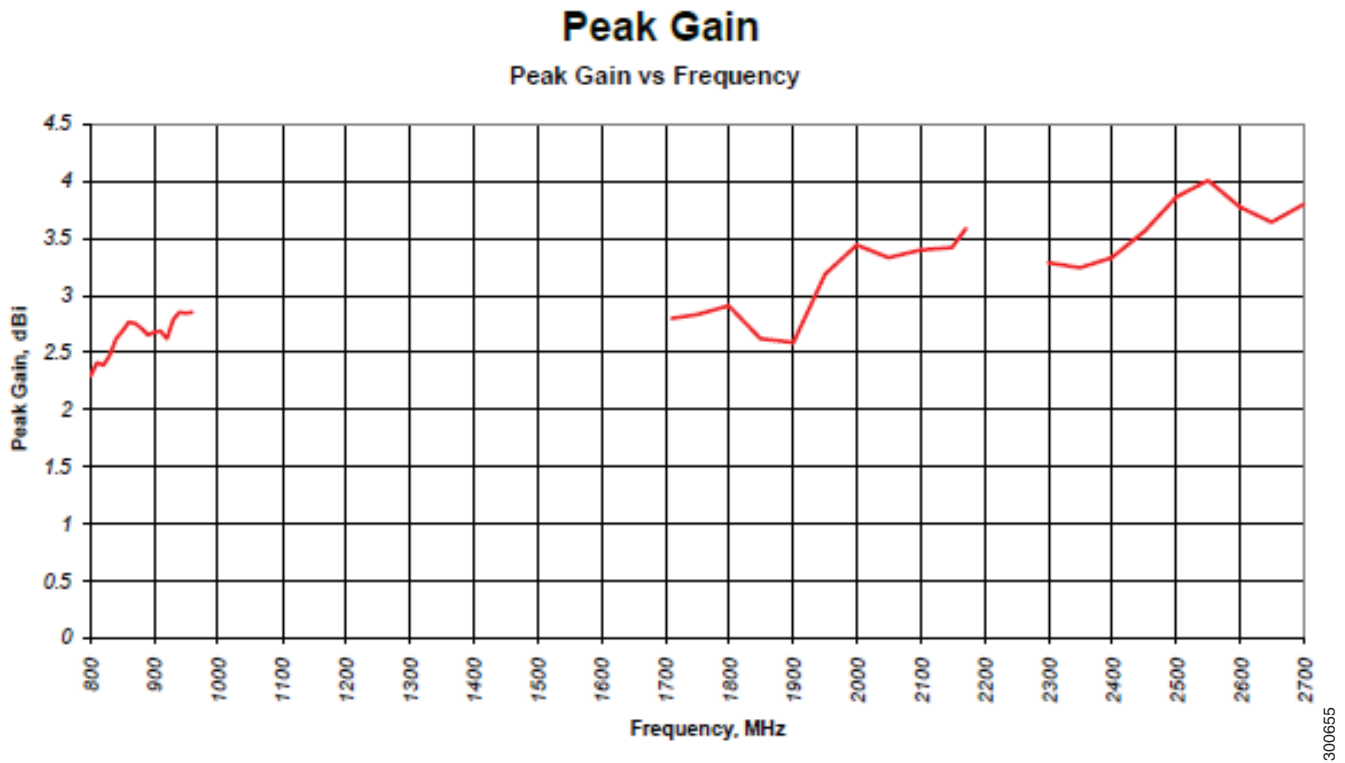
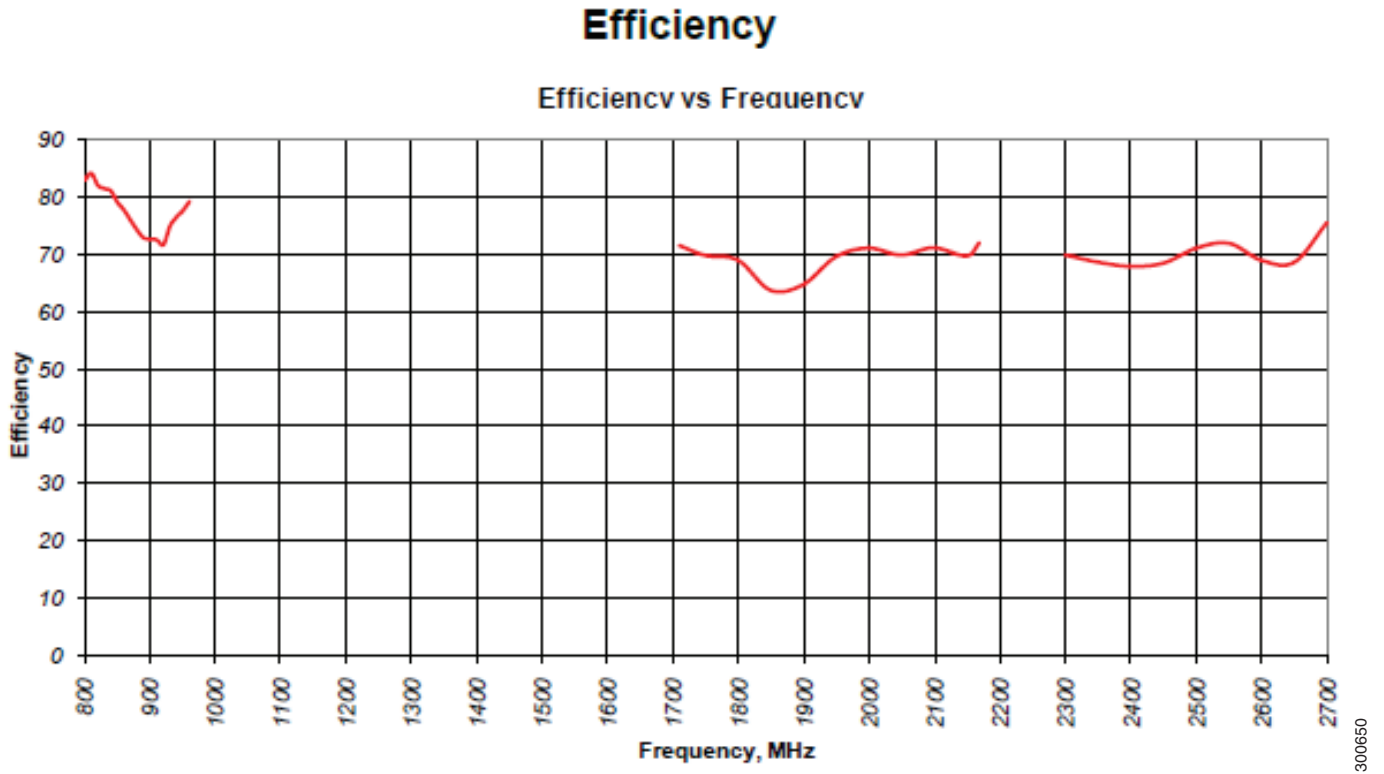


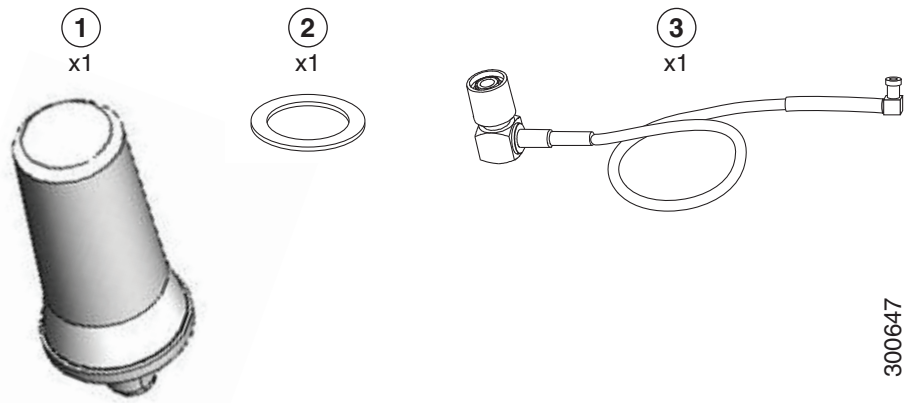
Figure 2-11 Radiation Pattern—Efficiency



Integrated Antenna Kit

The multi-purpose integrated antenna is shown here but the kit is identical for all antenna models.

Figure 2-12 Antenna Kit



1	Module antenna, with integrated coaxial cable	2	Rubber gasket
3	Cable		

Integrated Antenna End Kit Inventory

The multi-purpose integrated antenna kit is identical for all antenna models.

- Antenna-to-module coaxial cable (MCX-to-QMA, 10.5")
- Coax seal
- Tie wrap

Mounted Antenna End Kit Inventory

- N-connector
- Weather-proof coaxial seal
- Electrical joint compound
- Universal MCX-to-QMA cable (10.5")
- Tie wraps
- Cap

Safety Warnings



Warning

Avoid using or servicing any equipment that has outdoor connections during an electrical storm. There may be a risk of electric shock from lightning. Statement 1088



Warning

Do not work on the system, or connect or disconnect cables, during periods of lightning activity. Statement 1001



Warning

Do not locate the outdoor antenna near overhead power lines or other electric light or power circuits, or where it can come into contact with such circuits. When installing the antenna, take extreme care not to come into contact with such circuits, as they may cause serious injury or death. For proper installation and grounding of the antenna, please refer to national and local codes (for example, U.S.:NFPA 70, National Electrical Code, Article 810, Canada:Canadian Electrical Code, Section 54). Statement 1052



Warning

Do not work on the system or connect or disconnect cables during periods of lightning activity. Statement 1001



Warning

This equipment must be grounded. Never defeat the ground conductor or operate the equipment in the absence of a suitably installed ground conductor. Contact the appropriate electrical inspection authority or an electrician if you are uncertain that suitable grounding is available. Statement 1024



Warning

Only trained and qualified personnel should be allowed to install, replace, or service this equipment.
Statement 1030



Warning

To report a gas leak, do not use a telephone in the vicinity of the leak. Statement 1039



Warning

This warning symbol means danger. You are in a situation that could cause bodily injury. Before you work on any equipment, be aware of the hazards involved with electrical circuitry and be familiar with standard practices for preventing accidents. Use the statement number provided at the end of each warning to locate its translation in the translated safety warnings that accompanied this device.
Statement 1071. **SAVE THESE INSTRUCTIONS.**



Warning

This product is not intended to be directly connected to the Cable Distribution System. Additional regulatory compliance and legal requirements may apply for direct connection to the Cable Distribution System. This product may connect to the Cable Distribution System ONLY through a device that is approved for direct connection. Statement 1078

Safety Instructions

Each year hundreds of people are killed or injured when attempting to install an antenna. In many of these cases, the victim was aware of the danger of electrocution, but did not take adequate steps to avoid the hazard.

For your safety, and to help you achieve a good installation, please read and follow these safety precautions. **They may save your life!**

For your safety, read and follow these safety precautions.



Warning

In order to comply with FCC radio frequency (RF) exposure limits, antennas should be located at a minimum of 7.9 inches (20 cm) or more from the body of all persons. Statement 332

- If you are installing an antenna for the first time, for your own safety as well as others, seek professional assistance. Your Cisco sales representative can explain which mounting method to use for the size and type antenna you are about to install.
- Plan your installation procedure carefully and completely before you begin.
- Choose your installation site with safety performance in mind. Remember that electric power cables and telephone lines look alike. For your safety, assume that any line is an electric power line until determined otherwise.
- Call your local power company or building maintenance organization if you are unsure about cables close to your mounting location.
- When installing your antenna, do not use a metal ladder. Dress in rubber soled shoes and heels, rubber gloves, and a long-sleeved shirt or jacket.
- If an accident or emergency occurs with the power lines, call for qualified emergency help immediately.

- Before you install an antenna, contact your Cisco account representative to explain which mounting method to use for the size and type of antenna that you are about to install.
- Find someone to help you—installing an antenna is often a two-person job.
- Select your installation site with safety, as well as performance, in mind. Remember that electric power lines and phone lines look alike. For your safety, assume that any overhead line can kill you.
- Contact your electric power company. Tell them your plans and ask them to come look at your proposed installation.
- Each person involved in an installation should be assigned to a specific task, and should know what to do and when to do it. One person should be in charge of the operation to issue instructions and watch for signs of trouble.
- If the assembly starts to drop, move away from it and let it fall. Because the antenna, mast, cable, and metal guy wires are all excellent conductors of electrical current, even the slightest touch of any of these parts to a power line completes an electrical path through the antenna and the installer.
- If any part of the antenna system should come in contact with a power line, do not touch it or try to remove it yourself. Call your local power company to have it removed safely.
- If an accident occurs with the power lines, call for qualified emergency help immediately.

Antenna Installation

This section covers the following topics:

- [Installation Notes, page 2-16](#)
- [Tools and Equipment Required, page 2-17](#)
- [Install the Antenna onto the CGR 1240 Router, page 2-17](#)

Installation Notes

This Cisco Multi-purpose Integrated Antenna is designed to be mounted directly onto the router.

In addition to antenna orientation, wireless access point installation location with respect to all wireless clients plays a significant role in determining overall network performance.

Because antennas transmit and receive radio signals, their performance can be adversely affected by the surrounding environment including distance between the Field Area Router (FAR) and cellular base station, physical obstructions, or radio frequency (RF) interference.

Follow these guidelines to ensure the best possible performance:

- Install the router with antenna without physical obstructions. Barriers along the line of sight between the FAR and cellular base station degrade the wireless radio signals.
- The density of the materials used in a building's construction determines the number of walls the signal must pass through and still maintain adequate coverage. Consider the following before choosing the location to install your antenna:
 - Paper and vinyl walls have very little effect on signal penetration.
 - Solid and precast concrete walls limit signal penetration to one or two walls without degrading coverage.
 - Concrete and wood block walls limit signal penetration to three or four walls.

- A signal can penetrate five or six walls constructed of drywall or wood.
- A thick metal wall or wire-mesh stucco walls causes signals to reflect back and cause poor penetration.
- Avoid mounting the antenna next to a column or vertical support that could create a shadow zone and reduce the coverage area.
- Keep the antenna away from reflective metal objects such as heating and air-conditioning ducts, large ceiling trusses, building superstructures, and major power cabling runs. If necessary, use an extension cable to relocate the antenna away from these obstructions.

**Caution**

Install the router and antenna away from appliances that share the same frequency bands. Microwave ovens, cordless telephones, and security monitors can temporarily interfere with wireless performance.

**Caution**

Avoid installing wireless antennas in or near rack-mounted installations that include networking equipment and computer servers whose radiated noise emissions can severely degrade radio performance.

**Note**

If the desired installation site has a marginally acceptable level of radiated noise emissions, consider using a remote-mounted antenna, such as a wall-mount or ceiling-mount antenna, for better radio performance and coverage.

Tools and Equipment Required

In addition to the parts included in the antenna kit described in the section [Integrated Antenna Kit, page 2-13](#), you must provide the following tool to install the antenna on the router:

- Strap wrench
- 13 mm socket wrench

Install the Antenna onto the CGR 1240 Router

For a list of supported ports on the CGR 1240, see [Antenna Ports, page 1-20 of Chapter 1, “Cisco CGR 1000 and 2000 Series Connected Grid Antennas Overview”](#).

Follow these steps to install the antenna onto the router:

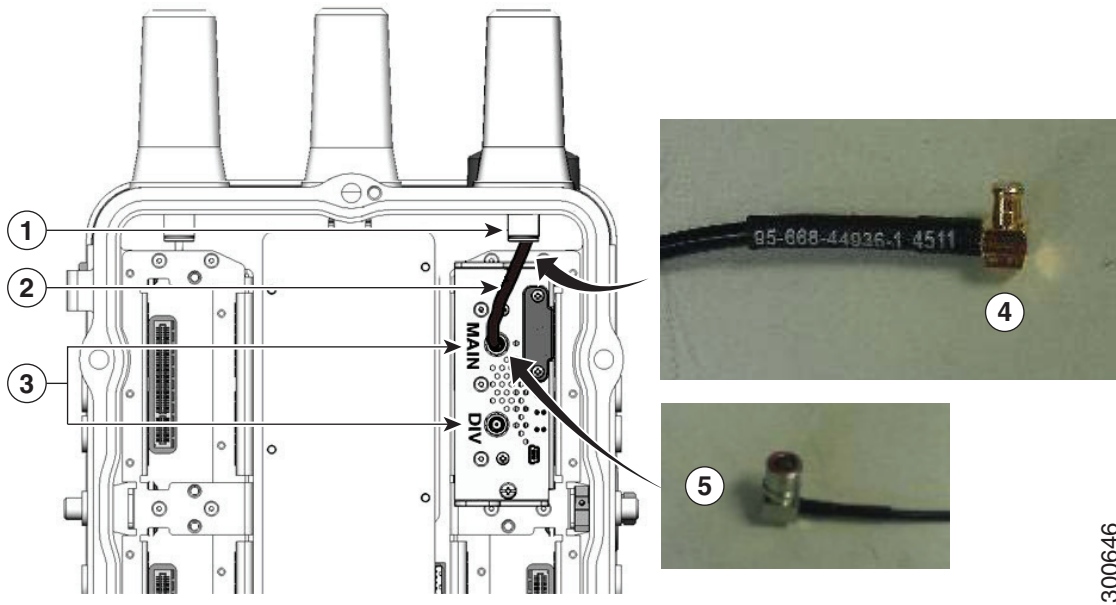
-
- Step 1** Remove the plug on the antenna connector if one is present.

Step 2 Attach the monopole antenna to your desired antenna port. Do not tighten the antenna completely—stop tightening so that the antenna is not fully installed.

Figure 2-13 Insert Base of Antenna into Router Antenna Port



Step 3 From the chassis interior, the antenna MCX jack should be visible in the plug. With one hand, position the right-angle end of the antenna cable to the antenna’s MCX jack. With your other hand, push the cable end so it inserts into the MCX jack of the antenna.



1	Antenna base	2	Antenna-to-router coaxial antenna cable (with QMA-male connector)
3	Connected Grid module coaxial connectors (QMA-female)	4	MCX end
5	QMA end		

300646

- Step 4** From the exterior of the router, tighten the antenna using the torque wrench. Tighten to 6 to 7 ft-lbs.
- Step 5** From the interior of the router, install the coaxial end of the cable to the appropriate connector on your installed module. The antenna and module ports should be the same color (red, yellow, or green). For more information, see [Antenna and CG Module Color Codes, page 1-25](#) in [Cisco CGR 1000 and 2000 Series Connected Grid Antennas Overview](#).



Note Some modules require two antennas: a main antenna and a diversity antenna. These modules have two antenna connectors on the front panel, labeled MAIN and DIV. Be sure to connect the main and diversity antennas to the correct module connectors.

Obtaining Documentation and Submitting a Service Request

For information on obtaining documentation, submitting a service request, and gathering additional information, see the monthly What's New in Cisco Product Documentation, which also lists all new and revised Cisco technical documentation, at:

<http://www.cisco.com/en/US/docs/general/whatsnew/whatsnew.html>

Subscribe to the *What's New in Cisco Product Documentation* as an RSS (Really Simple Syndication) feed, and set it so content is delivered directly to your desktop using a reader application. The RSS feeds are a free service and Cisco currently supports RSS Version 2.0.

Cisco and the Cisco Logo are trademarks of Cisco Systems, Inc. and/or its affiliates in the U.S. and other countries. A listing of Cisco's trademarks can be found at www.cisco.com/go/trademarks. Third party trademarks mentioned are the property of their respective owners. The use of the word partner does not imply a partnership relationship between Cisco and any other company. (1005R)

AMR 5 dBi AMR Omni-Directional Antenna

Model No. AMR360-902-5-T0-N
 Part # 1009-0066-403

- One-Piece Seamless Radome
- Rugged Compact Design



ELECTRICAL SPECIFICATIONS

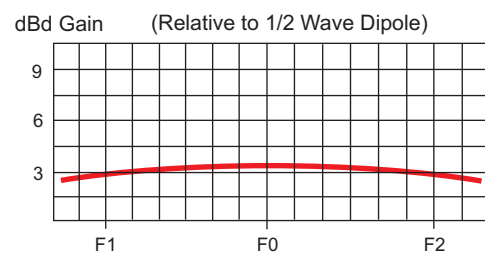
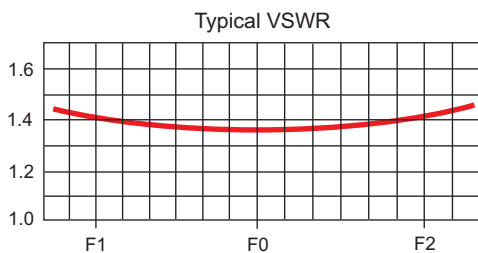
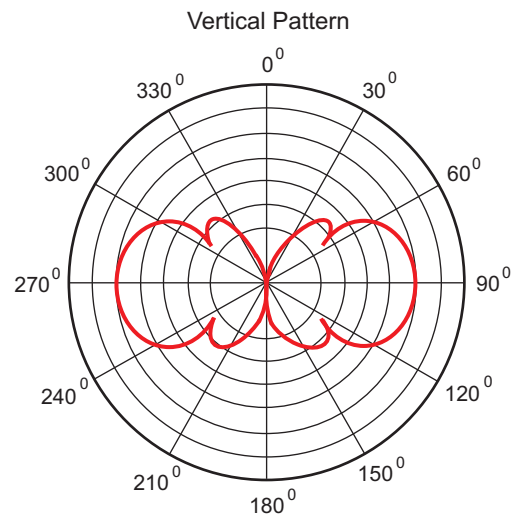
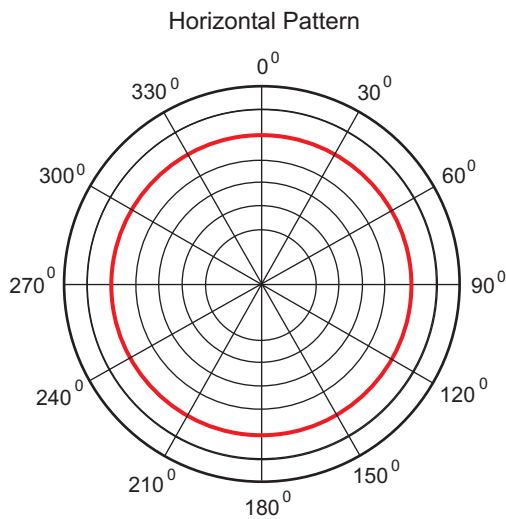
Frequency Range	902-960 MHz.
Return Loss (VSWR)	-10 dB (1.92:1)max
Forward Gain (over half-wave dipole)	5.1 dBi (3 dBd)
Polarization	Vertical
Maximum Power Input	250 Watts Continuous with "N" Connector
Vertical Beamwidth (half power point)	32 Degrees
Horizontal Beamwidth	Omni

MECHANICAL SPECIFICATIONS

Termination	Type "N" Male
Mounting Clamps	None
Dimensions	17-3/4 Inches x 1 Inch O.D. Fiberglass Radome
Weight	0.9 Lbs.

ENVIRONMENTAL SPECIFICATIONS

Wind Survival	120 M.P.H.
Lightning Protection	Direct Ground



PCTEL - 902-928 MHz 8.1 dBi Fiberglass Omni Antenna

TESSCO SKU : 396320 Mfg Part #: BOA9028 Qty/UOM : 1 EACH UPC: 888063963209

PCTEL BOA9028 is a heavy-duty fiberglass omnidirectional antenna. This omni antenna operates within the frequency range 902 - 928 MHz and has a 8.1 dBi gain. Maximum power input is 250 watts with N Female bulkhead connection. BWC1005 mounting hardware is included.

PCTEL BOA9028 omni antenna is ideal for industrial wireless and SCADA applications. The fiberglass radome and hard-coat anodized mounting base are designed to increase durability.

[GSA](#)

Contract:

GS-35F-0548P

Schedule:

[70 - Information Technology](#)

Specific Frequency	902-928 MHz
Gain dBi	8.1 dBi
Gain dBd	6 dBd
Polarization	Vertical
Maximum VSWR	1.5:1
Maximum Power	250 W
Lightning Protection	DC Ground
RF Connectors	N Female
Connector Placement	Bottom
Jumper Included	No
Type of Jumper Included	None
Type of Hardware Included	BAM1005 (SKU 356449)
Maximum Rated Wind Velocity	125 mile/h
Item Height	68 in
Item Weight	6 lb
Mfg. Warranty	5 Years

