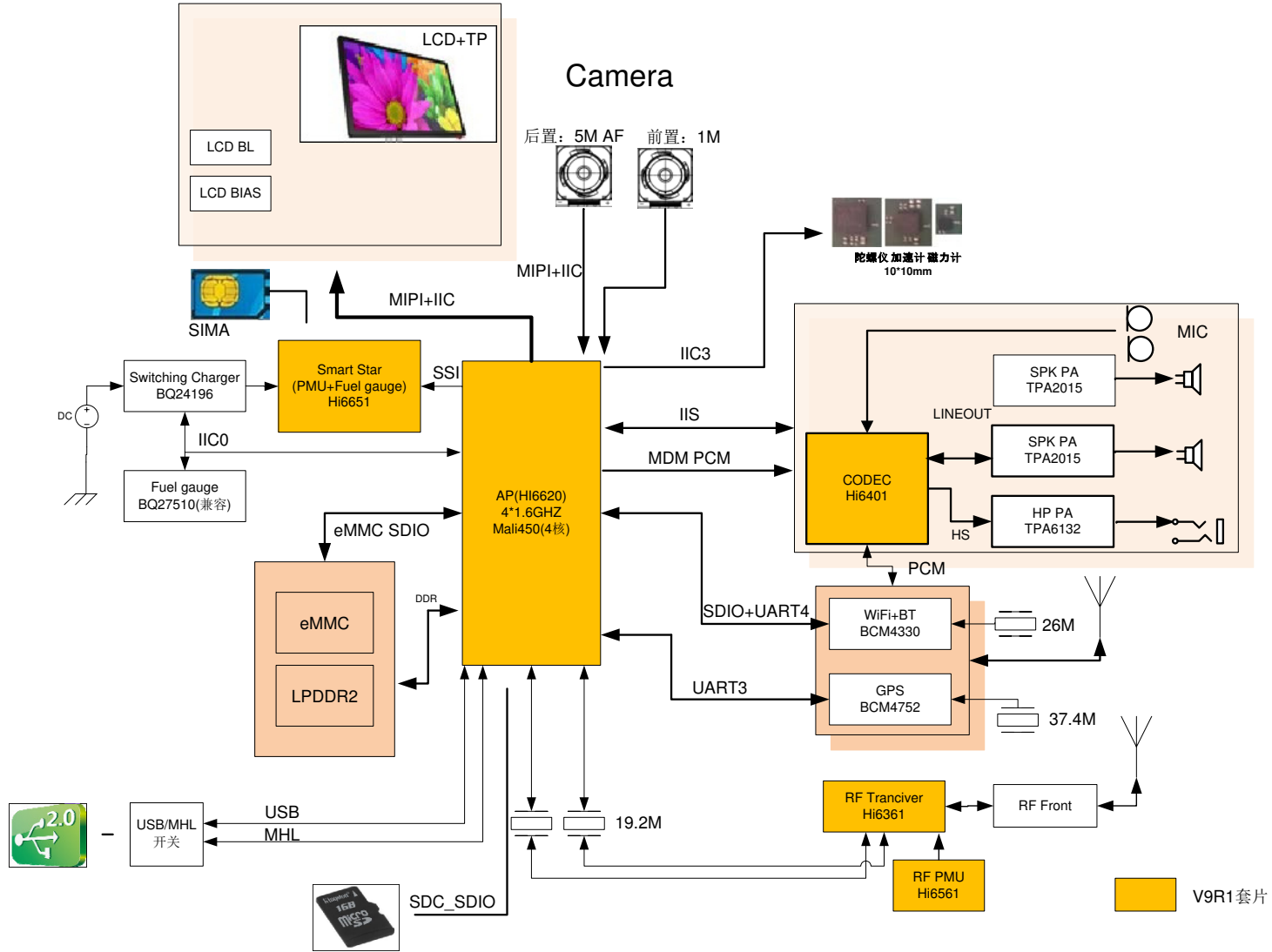


S8-302L Block diagram

S8-302L has a compact and highly integrated structure. It consists of Rockchip Subsystem, Power Manager Subsystem and RF Subsystem The functional structure is shown in:

- Hi6620: Application process IC
- Hi6361: Radio Frequency Transceiver IC
- Hi6651: Power Manager IC
- BCM4334: BT & WiFi IC
- BCM4752: GPS IC



- GSM/GPRS/EDGE: 850MHz: TX824-849MHz, RX869-894MHz
- GSM/GPRS/EDGE: 1900MHz: TX1850-1910MHz, RX1930-1990MHz
- HSPA+/HSUPA/HSDPA/UMTS: 1900MHz: TX1850-1910MHz, RX1930-1990MHz
- HSPA+/HSUPA/HSDPA/UMTS: 1700MHz: TX1710-1755MHz, RX2110-2155MHz
- HSPA+/HSUPA/HSDPA/UMTS: 850MHz: TX824-849MHz, RX869-894MHz
- FDD-LTE Band 4: 1700MHz: TX1710-1755MHz, RX2110-2155MHz
- FDD-LTE Band 7: TX 2500MHz - 2570MHz, RX 2620MHz - 2690MHz
- FDD-LTE Band 17: TX 704MHz - 716MHz, RX 734MHz - 746MHz
- Bluetooth: 2402-2480MHz
- WLAN: 2412-2462MHz, 5150-5250 MHz;5250-5350 MHz ; 5470-5725 MHz; 5725-5850 MHz