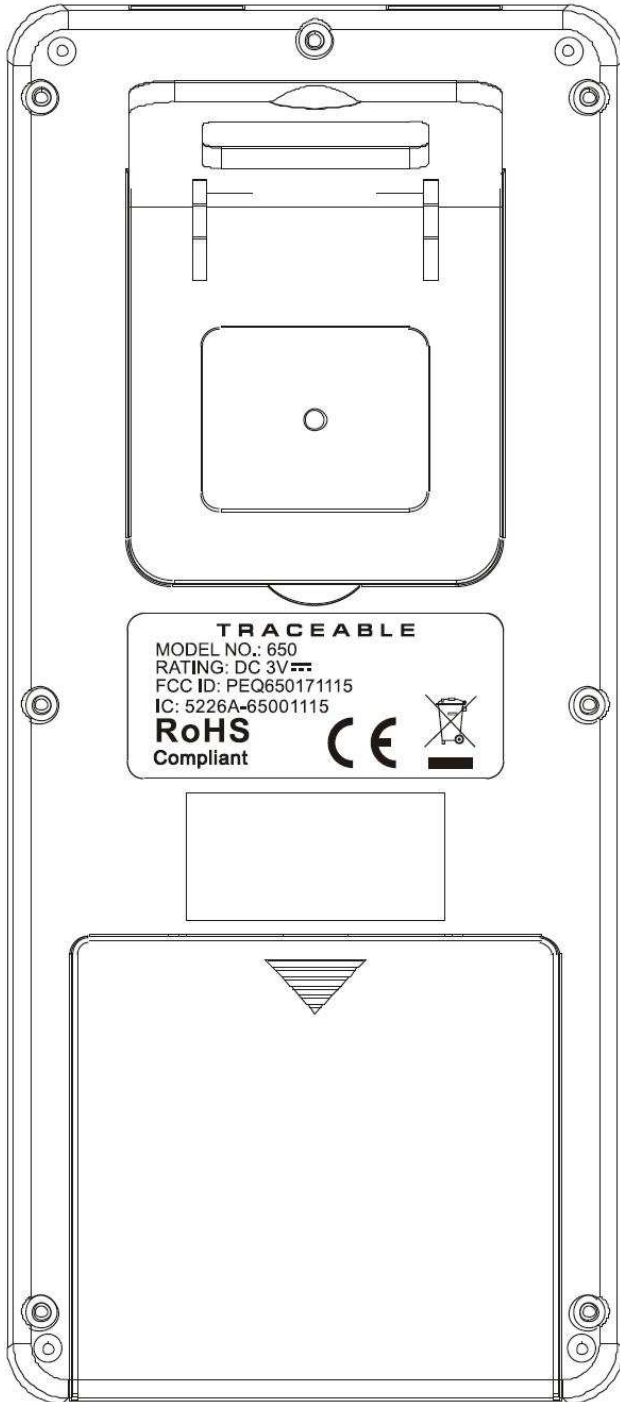





Label sample

MODEL NO.: A750(650)

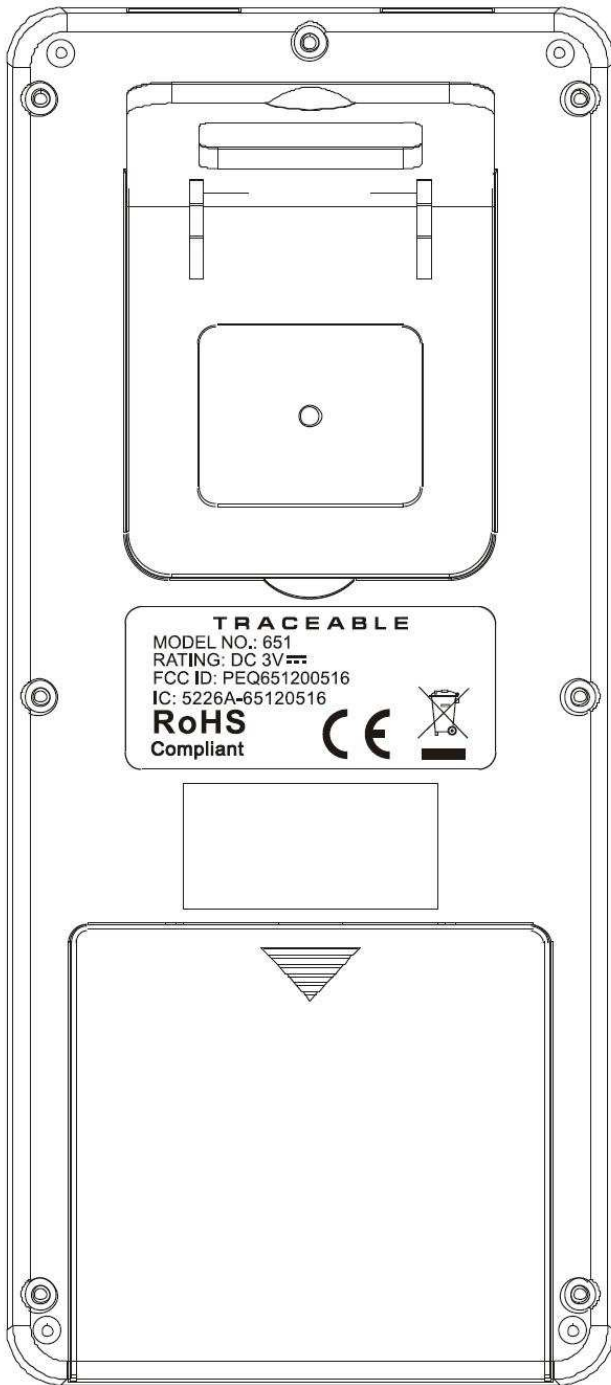


**TRACEABLE**  
MODEL NO.: 650  
RATING: DC 3V   
FCC ID: PEQ650171115  
IC: 5226A-65001115  
**RoHS**  
Compliant  




**TRACEABLE**  
MODEL NO.: 650  
RATING: DC 3V   
FCC ID: PEQ650171115  
IC: 5226A-65001115  
**RoHS**  
Compliant  

1:1

# MODEL NO.: A751(651)

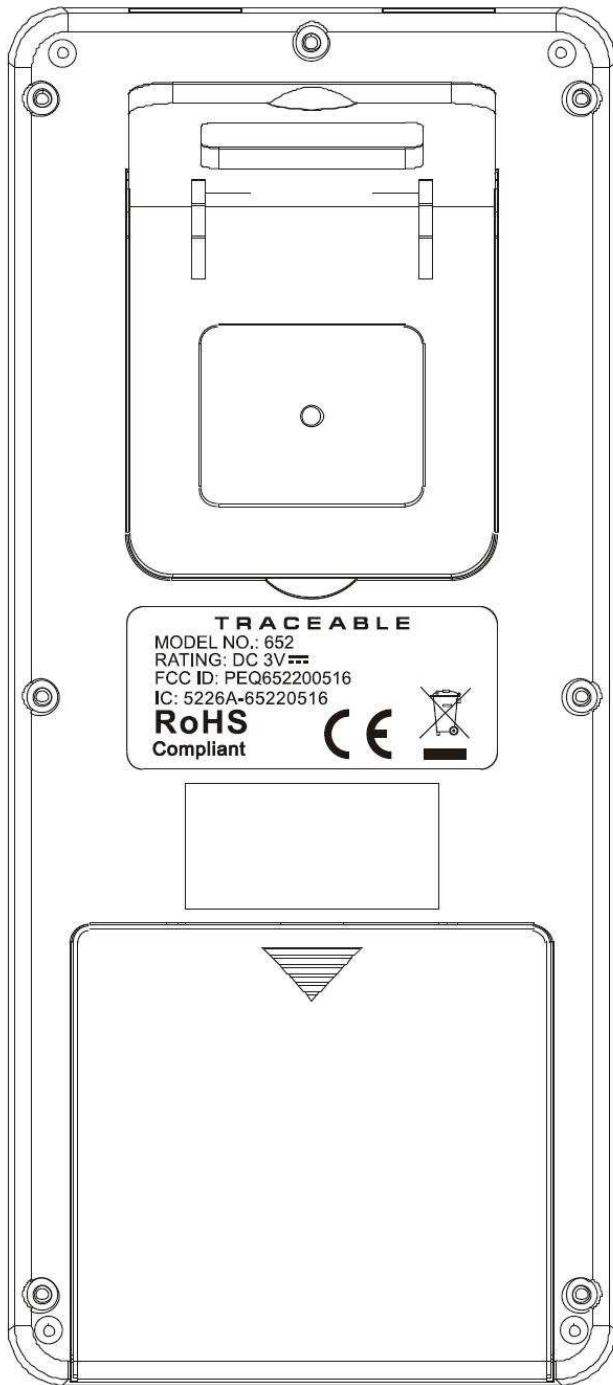


**TRACEABLE**  
MODEL NO.: 651  
RATING: DC 3V   
FCC ID: PEQ651200516  
IC: 5226A-65120516  
**RoHS**  
Compliant  

**TRACEABLE**  
MODEL NO.: 651  
RATING: DC 3V   
FCC ID: PEQ651200516  
IC: 5226A-65120516  
**RoHS**  
Compliant  

**1:1**

# MODEL NO.: A752(652)/A753(652)



**TRACEABLE**  
MODEL NO.: 652  
RATING: DC 3V   
FCC ID: PEQ652200516  
IC: 5226A-65220516  
**RoHS**  
Compliant  

**TRACEABLE**  
MODEL NO.: 652  
RATING: DC 3V   
FCC ID: PEQ652200516  
IC: 5226A-65220516  
**RoHS**  
Compliant  

**1:1**