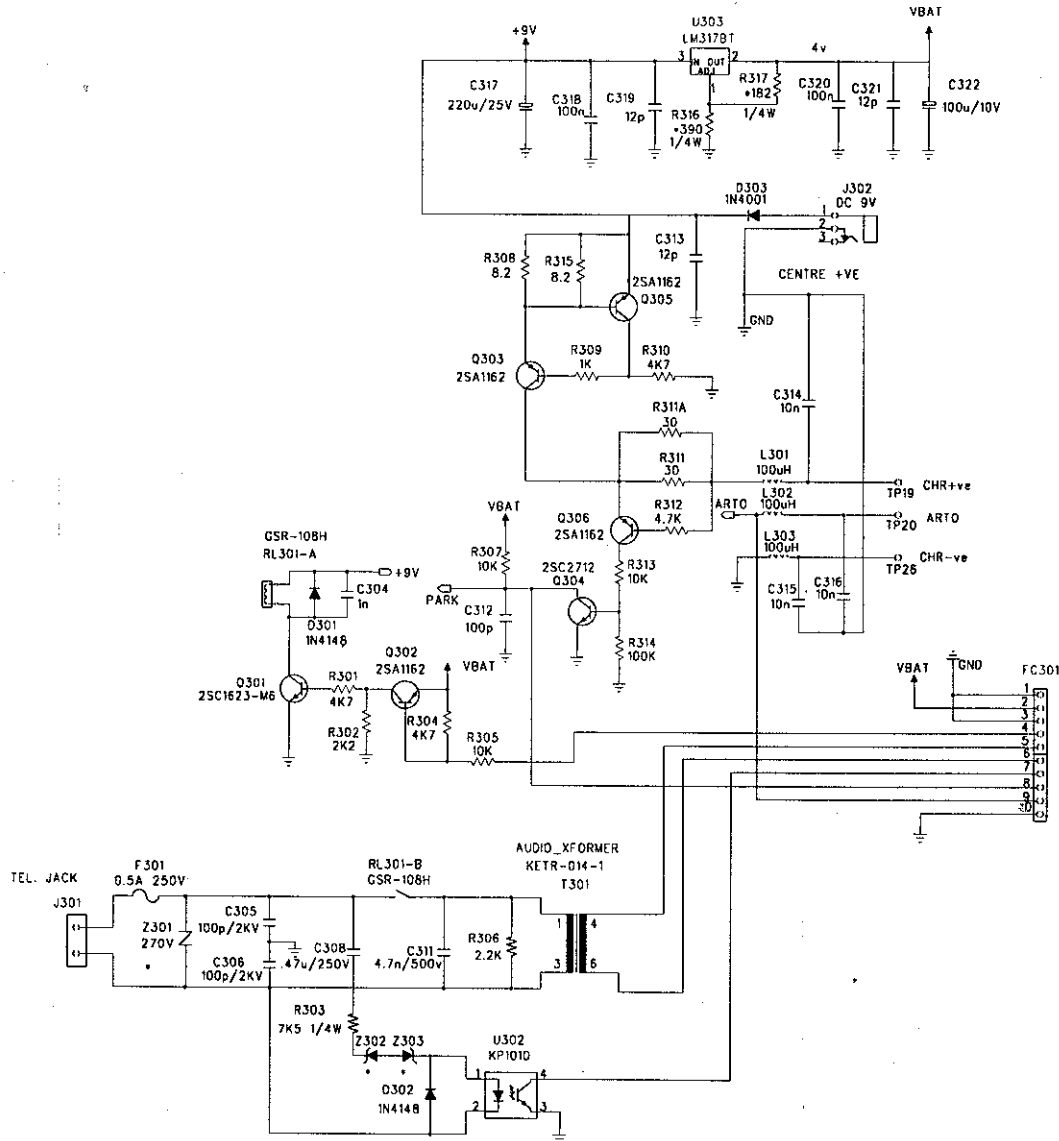


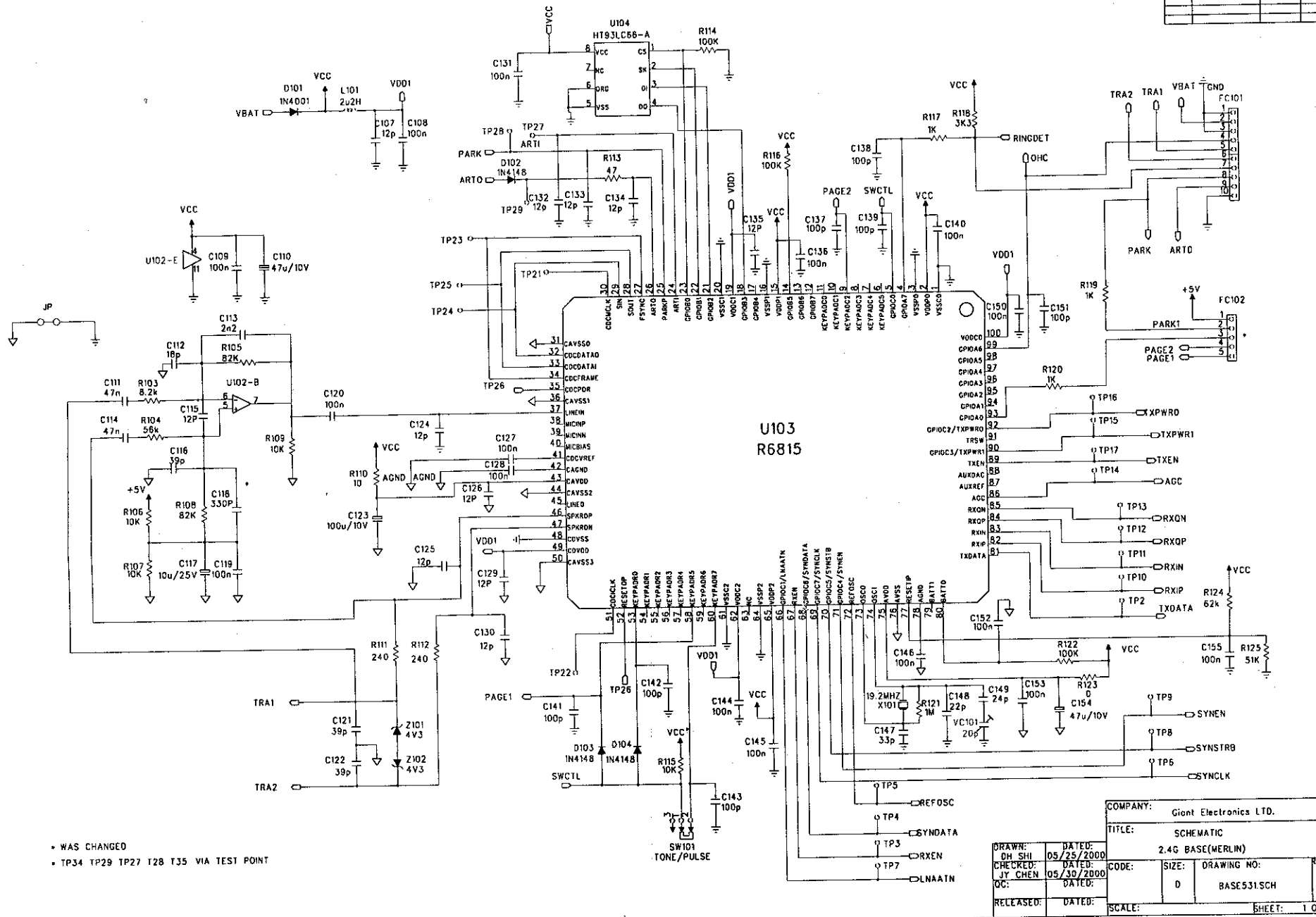
REVISION RECORD	



DRAWN:	DATED:
CHKD:	DATE:
CHECKED:	DATED:
RELEASED:	DATED:

COMPANY:		Giant Electronics LTD	
TITLE:		SCHEMATIC	
		2.4G BASE(MERLIN)	
CODE:	SIZE:	DRAWING NO:	REV:
	0		
SCALE:		SHEET: 3 OF 3	

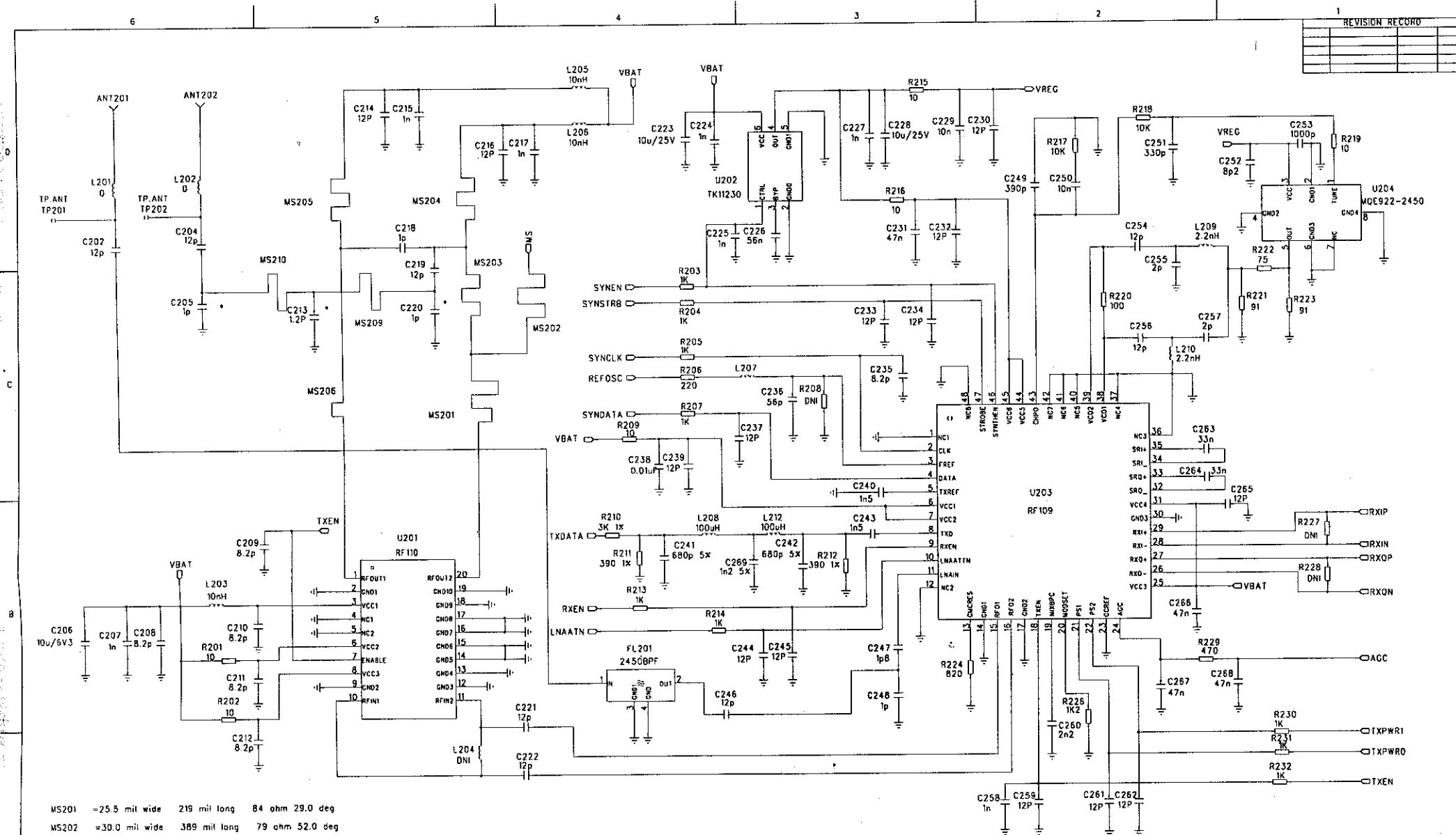
REVISION RECORD	



• WAS CHANGED
 • TP34 TP29 TP27 T28 T35 VIA TEST POINT

DRAWN: DH SHI		DATED: 05/25/2000	
CHECKED: LY CHEN		DATED: 05/30/2000	
RELEASED:		DATED:	
COMPANY: Giant Electronics LTD.		TITLE: SCHEMATIC	
CODE:		SIZE: 2.4G BASE(MERLIN)	
DRAWING NO: D		REV: BASE531.SCH	
SCALE:		SHEET: 1 OF 3	

REVISION RECORD	

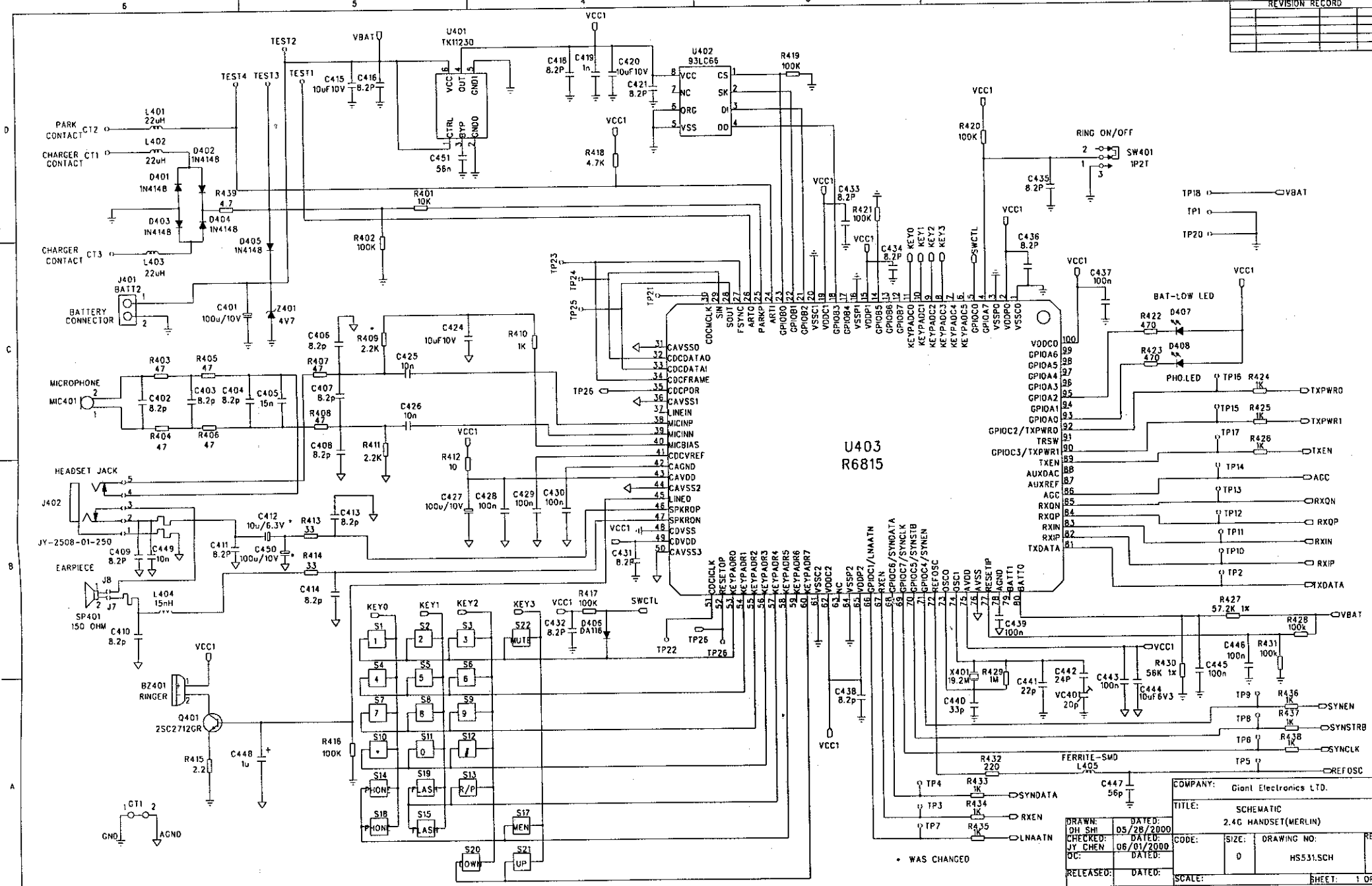


- MS201 = 25.5 mil wide 219 mil long 84 ohm 29.0 deg
- MS202 = 30.0 mil wide 389 mil long 79 ohm 52.0 deg
- MS203 = 17.5 mil wide 401 mil long 97 ohm 52.6 deg
- MS204 = 25.5 mil wide 303 mil long 84 ohm 40.0 deg
- MS205 = 25.5 mil wide 660 mil long 84 ohm 90.0 deg
- MS206 = 25.5 mil wide 30 mil long 84 Ohm 4.0 deg
- MS209 = 18.0 mil wide 170mil long 98 ohm 22.3 deg
- MS210 = 18.0 mil wide 170 mil long 96 ohm 22.3 deg

• WAS CHANGED

COMPANY:		Giant Electronics LTD.	
TITLE:		SCHEMATIC	
DRAWN:		2.4G BASE(WERLIN)	
DATE:	05/25/2000	CODE:	SIZE:
CHECKED:	JY CHEN	DATE:	05/30/2000
QC:		DATE:	
RELEASED:		DATE:	
DRAWING NO:		BASE531.SCH	
SCALE:		SHEET: 2 OF 3	

REVISION RECORD	



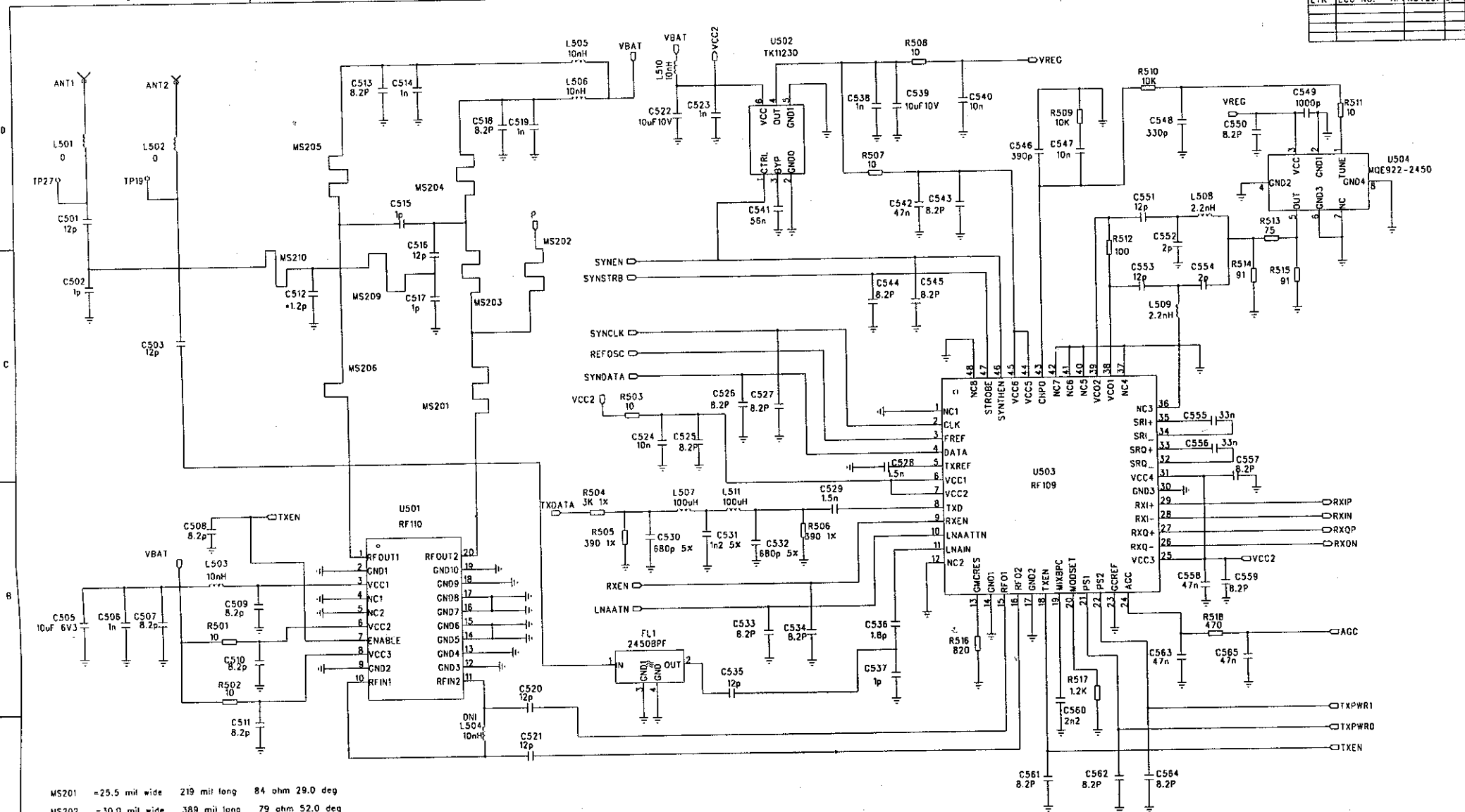
**U403
R6815**

31	CAVSSO
32	CCDATAO
33	CCDATAI
34	CCDFRAME
35	CCDPOR
36	CAVSS1
37	LINEIN
38	MICINP
39	MICINN
40	MICBIAS
41	CCVREF
42	CAAGND
43	CAVDD
44	CAVSS2
45	LINEO
46	SPKROP
47	SPKRPO
48	CDVSS
49	CDVDD
50	CAVSS3
51	ODCLK
52	RESETOP
53	KEYPADR0
54	KEYPADR1
55	KEYPADR2
56	KEYPADR3
57	KEYPADR4
58	KEYPADR5
59	KEYPADR6
60	KEYPADR7
61	VSSC2
62	VDDC2
63	NC
64	VSSP2
65	VDDP2
66	GPIOC/LMAATN
67	RXEN
68	GPIOC6/SYNDATA
69	GPIOC7/SYNCLK
70	GPIOC3/SYNSTB
71	GPIOC4/SYNEB
72	REFOSC
73	OSCO
74	OSCI
75	VDD
76	VSS
77	RESETIP
78	AGND
79	BATT1
80	BATT0
81	TXDATA

COMPANY: Giant Electronics LTD.		TITLE: SCHEMATIC		DRAWING NO: HS531.SCH		REV: 1	
DRAWN: OH SH		DATED: 05/28/2000		CODE: 0		SCALE: 1 OF 2	
CHECKED: JY CHEN		DATED: 06/01/2000		SIZE: 0		SHEET: 1 OF 2	
RELEASED:		DATED:		DRAWING NO: HS531.SCH		REV: 1	

* WAS CHANGED

REVISION RECORD			
LTR	ECO NO.	APPROVED	DATE



- MS201 =25.5 mil wide 219 mil long 84 ohm 29.0 deg
- MS202 =30.0 mil wide 389 mil long 79 ohm 52.0 deg
- MS203 =17.5 mil wide 401 mil long 97 ohm 52.6 deg
- MS204 =25.5 mil wide 303 mil long 84 ohm 40.0 deg
- MS205 =25.5 mil wide 660 mil long 84 ohm 90.0 deg
- MS206 =25.5 mil wide 30 mil long 84 Ohm 4.0 deg
- MS209 =18.0 mil wide 170mil long 96 ohm 22.3 deg
- MS210 =18.0 mil wide 170 mil long 96 ohm 22.3 deg

COMPANY: Giont Electronics LTD.	
TITLE: SCHEMATIC	
2.4G HANDSET (MERLIN)	
DRAWN: DH SHI	DATE: 05/28/2000
CHECKED: JY CHEN	DATE: 06/01/2000
QC:	DATE:
RELEASED:	DATE:
CODE: D	SIZE: HSS31.SCH
DRAWING NO: HSS31.SCH	REV: 1
SCALE:	SHEET: 2 OF 2