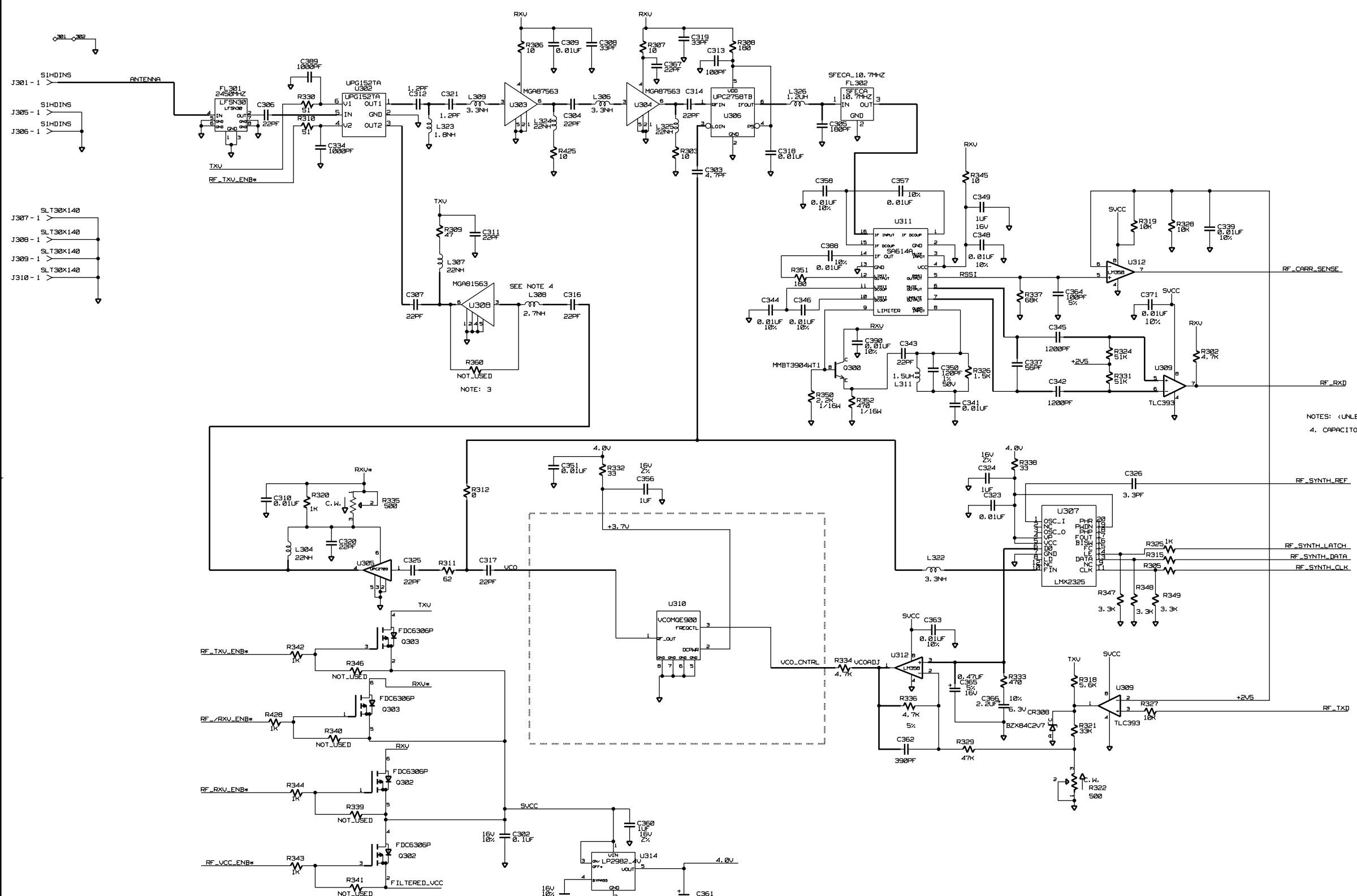
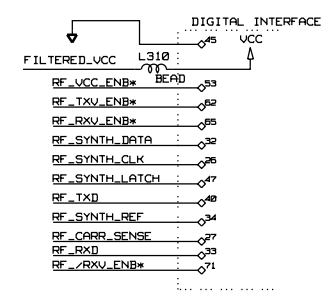


REVISIONS						
REV	ZONE	NO.	DESCRIPTION	E. C.	BY / APVD.	DATE
1			RELEASE PER PPD #			



NOTES: (UNLESS OTHERWISE SPECIFIED)
4. CAPACITORS ARE IN MICRO-FARADS; 5%, 10%.



ITEM	QTY.	PART NO.	DESCRIPTION	REMARKS/REF. SYMBOL
PARTS LIST				
			APPROVALS	DATE
			SYMBOL TECHNOLOGIES INC.	
			Bohemia, New York	
			PHASER RF MODULE	
			SIZE	DWG. NO. 17-42507-01 REV 1
			SCALE: NONE	SHEET 1 OF 1

DRAWING LAST_MODIFIED=Mon Jul 24 16:55:19 2000

THE DWG. AND SPECIFICATION CONTAINED HEREON ARE PROPRIETARY AND MUST NOT BE USED, COPIED, REPRODUCED OR OTHERWISE DEALT WITH NOR ITS CONTENTS COMMUNICATED TO OTHERS EXCEPT IN ACCORDANCE WITH WRITTEN INSTRUCTIONS RECEIVED FROM SYMBOL TECHNOLOGIES INC.

UNLESS OTHERWISE SPECIFIED
DIMENSIONS ARE IN INCHES
DRAWN
CHECKED
ENGINEER
MFG. ENG.
PRODUCT QUALITY
TEST ENG.

NO. TRAN 314998
NEXT ASSY
USED ON
DO NOT SCALE DRAWING