

ROCKSHOX

Flight Attendant



USER MANUAL

Table of Contents

Tools and Supplies	4	Spring Air Pressure and Rebound Damping	20
SRAM AXS App	4	Calibrate the System	21
Compatibility	4	Set Bias Adjustment	26
System Components	5	Set Low Speed Compression (LSC)	27
SRAM Battery and Charger	5	Modes and Settings	28
Flight Attendant Control Module	6	Suspension Position	28
Flight Attendant Control Module LED Color	7	Auto Mode	28
Rear Shock Module	8	Manual Mode	30
Pedal Sensor	8	Override Mode	31
RockShox AXS Controller	9	Safe Mode	32
SRAM AXS Rocker Controller	9	Safe Mode Troubleshooting	32
Batteries	10	Operating Flight Attendant	33
Component Batteries	10	Maintenance	33
Battery Charge LED Indicator	11	Suspension Service	33
SRAM Battery Charging	12	Cleaning	33
Suspension Module Battery Installation	12	Storage and Transportation	34
Controller Installation - Optional	14	Controller Battery Replacement	34
AXS Controller - MMX Clamp	14	Pedal Sensor - Battery and Service	35
AXS Controller - Discrete Clamp	15	Non-Threaded Pedal Sensor - Removal	35
Flight Attendant Setup	16	Threaded Pedal Sensor - Removal	35
Component Serial Number Identification	16	Replace Battery	36
Setup Process	16	Non-Threaded Pedal Sensor - Installation	38
Activate Pedal Sensor	16	Threaded Pedal Sensor - Installation	38
System Pairing	17	Recycling	39
Multi-System Pairing Options	19		

SAFETY INSTRUCTIONS

You must read and understand the Safety Instructions document included with your product before proceeding with installation. Improperly installed components are extremely dangerous and could result in severe and/or fatal injuries. If you have any questions about the installation of these components, consult a qualified bicycle mechanic. This document is also available on www.sram.com/service.

NOTICE

AXS components are only compatible with other AXS components. Consult the *AXS Components Compatibility Map* for compatibility information.

Consult www.sram.com/service whenever a separate manual is referenced in this document.

Tools and Supplies

Highly specialized tools and supplies are required for the installation of your SRAM components. We recommend that you have a qualified bicycle mechanic install your SRAM components.

Safety and Protection Supplies

- Apron
- Clean, lint-free shop towels
- Nitrile gloves
- Safety glasses

Lubricants and Fluids

- Friction paste
- Isopropyl alcohol or RockShox Suspension Cleaner
- SRAM Butter Grease

RockShox Tools

- RockShox Shock Pump

Bicycle Tools

- Bicycle work stand

Common Tools

- Hex bit sockets: 2.5, 4 mm
- Hex wrenches: 2.5, 4 mm
- Socket wrench
- Torque wrench
- TORX T25 bit socket
- TORX T25 wrench

SRAM AXS App

Download the SRAM AXS app, available for free in the app stores. Use the app to create your account, add your components, and customize your SRAM AXS experience. For component customization within the SRAM AXS app, all SRAM AXS and RockShox enabled AXS components installed on a single bicycle must be paired together to create one system. For multi-system pairing, refer to [Multi-System Pairing](#).

Through the app, you will also be able to:

- Personalize and change settings for your components
- Receive notifications for new product features and firmware updates
- Access product data and recommended service intervals

Compatibility

This manual is a complete system identification and usage guide for an installed Flight Attendant electronic suspension system on an assembled bicycle.

For details regarding RockShox suspension component installation and tuning, consult the *RockShox Front Suspension and RockShox Rear Suspension User Manuals*, and the *RockShox Suspension Tuning Guide*.

Flight Attendant components are designed to be used in a paired system and are wirelessly compatible only with other RockShox AXS enabled components and SRAM AXS components.

When paired into [one AXS system](#), functionality of all Flight Attendant and AXS components can be reconfigured with the SRAM AXS app.

AXS Controllers are compatible with Flight Attendant but are not required for system functionality.

The Flight Attendant Control Module and Rear Shock Module are not compatible with standard RockShox suspension.

System Components

The Flight Attendant system consists of a Flight Attendant-equipped front suspension fork and rear shock, a Pedal Sensor-equipped DUB crankset, and a handlebar-mounted AXS Controller. The AXS Controller is optional and is not required.

The front suspension, rear suspension, and Pedal Sensor-equipped crank must be paired together for the system to function properly.

NOTICE

Removal or unpairing of any one Flight Attendant component will stop the components from functioning as a complete system.

SRAM Battery and Charger



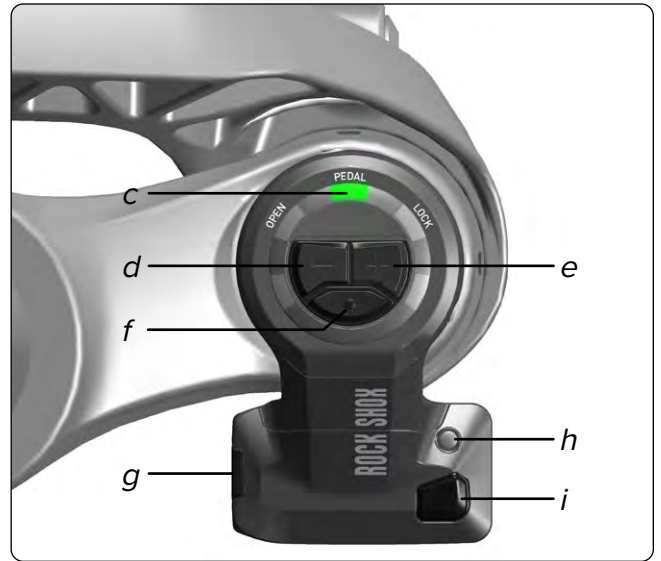
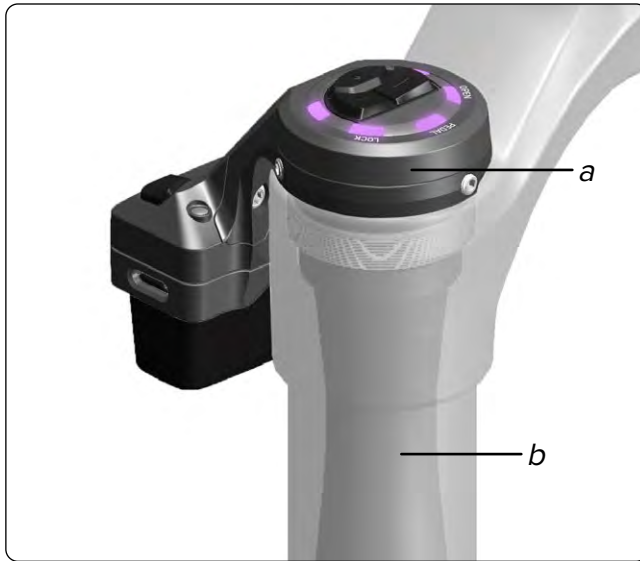
- a. SRAM battery (x2)
- b. SRAM battery charger

- c. Battery cover (x2)
- d. LED charge level indicator

- e. Micro USB cable

Consult the *SRAM Battery and Charger User Manual* at www.sram.com/service for additional information.

Flight Attendant Control Module



- a. Control Module
- b. Fork damper
- c. Mode/Setting LED (x5)
- d. (-) Adjust button

- e. (+) Adjust button
- f. Menu button
- g. Battery latch
- h. AXS LED indicator

- i. AXS button (Pairing, Battery Check)
- j. SRAM battery
- k. Battery block

Flight Attendant Control Module LED Color

Settings and Modes are identified by the color of the Flight Attendant Control Module LEDs.

- Auto Mode
- Override Mode
- Manual Mode
- Safe Mode
- Calibration
- Bias Adjustment
- Low Speed Compression - Fork
- Low Speed Compression - Rear Shock



Auto Mode - Green



Override Mode - Orange



Manual Mode - Red



Safe Mode - Yellow



Calibration - White



Bias Setting - Magenta

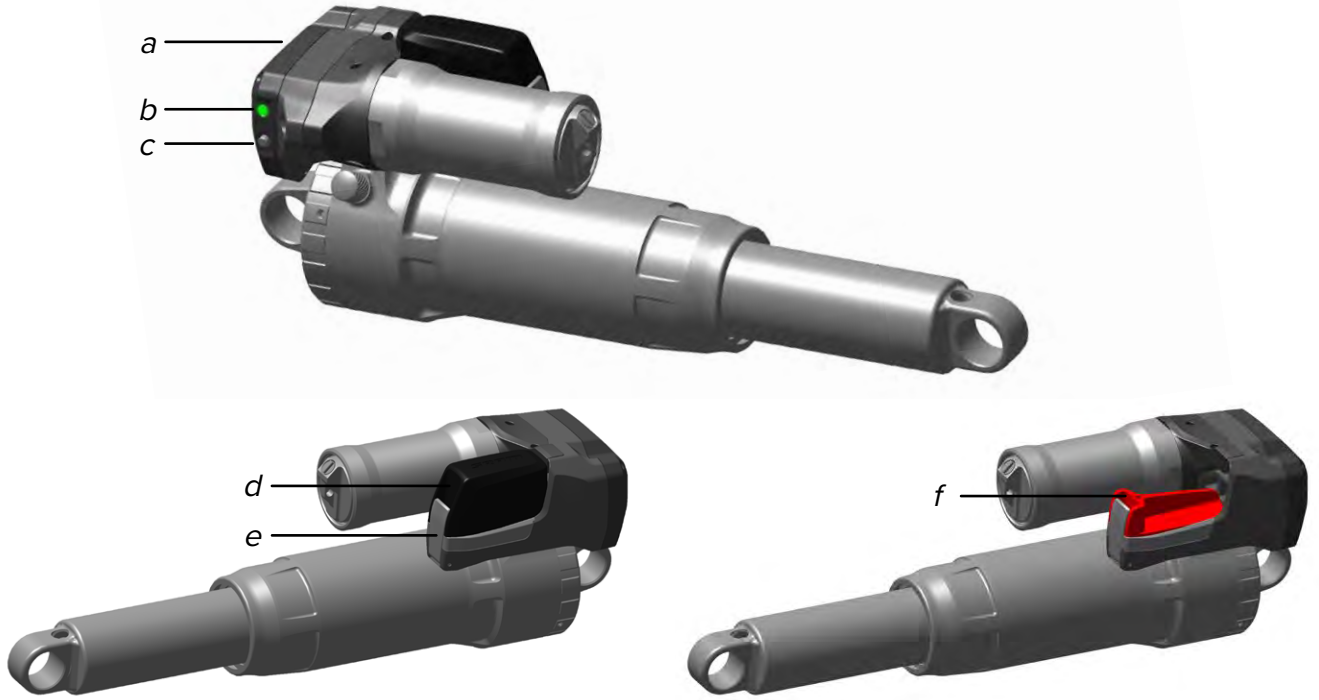


Fork Low Speed Compression Damping (LSC) Setting - Blue



Rear Shock Low Speed Compression Damping (LSC) Setting - Cyan

Rear Shock Module

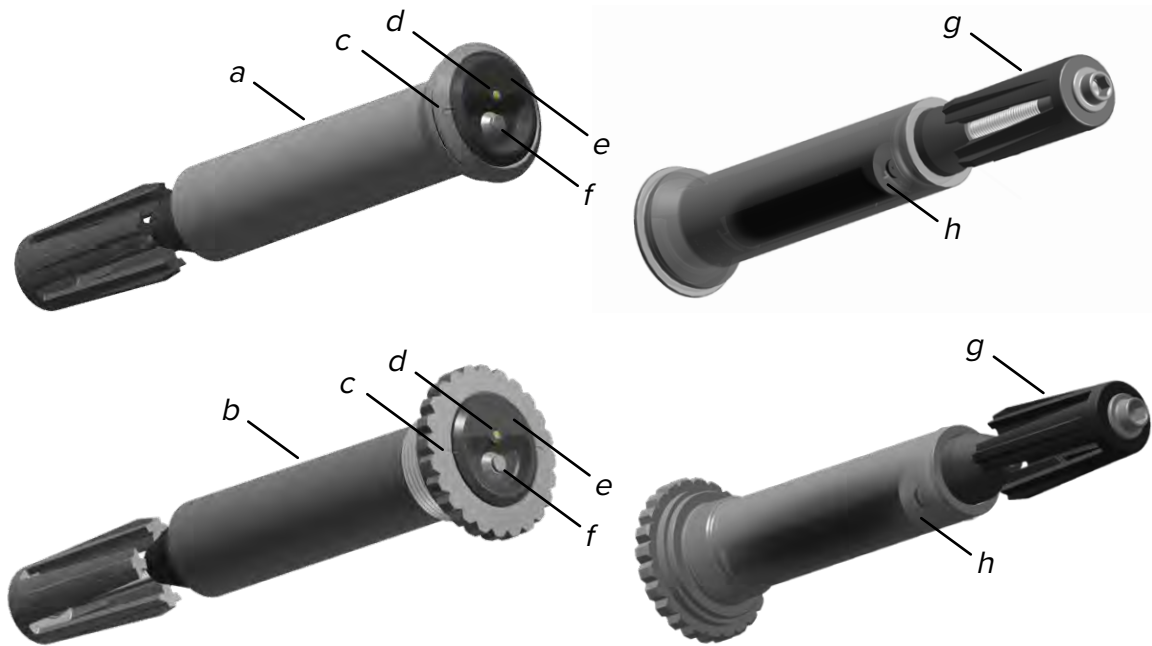


a. Rear Shock Module
b. LED indicator

c. AXS button (Pairing, Battery Check)
d. SRAM battery

e. Battery latch
f. Battery block

Pedal Sensor

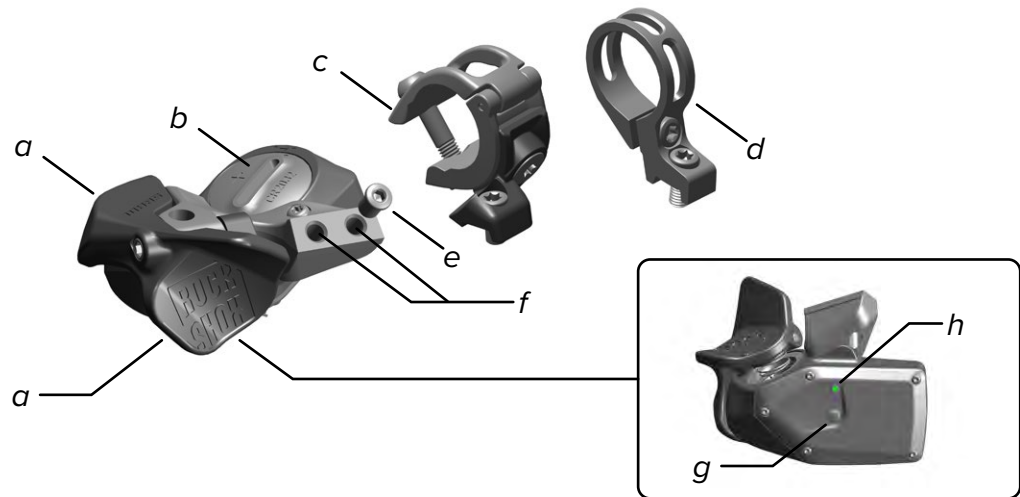


a. Seal tube (non-threaded)
b. Seal tube (threaded)
c. Alignment tabs

d. LED indicator
e. Pedal Sensor assembly
f. AXS button
(Activation, Pairing, Battery Check)

g. Expander wedge/bolt assembly
h. Battery: AAA Lithium/Iron Disulfide (Li/FeS₂)

RockShox AXS Controller

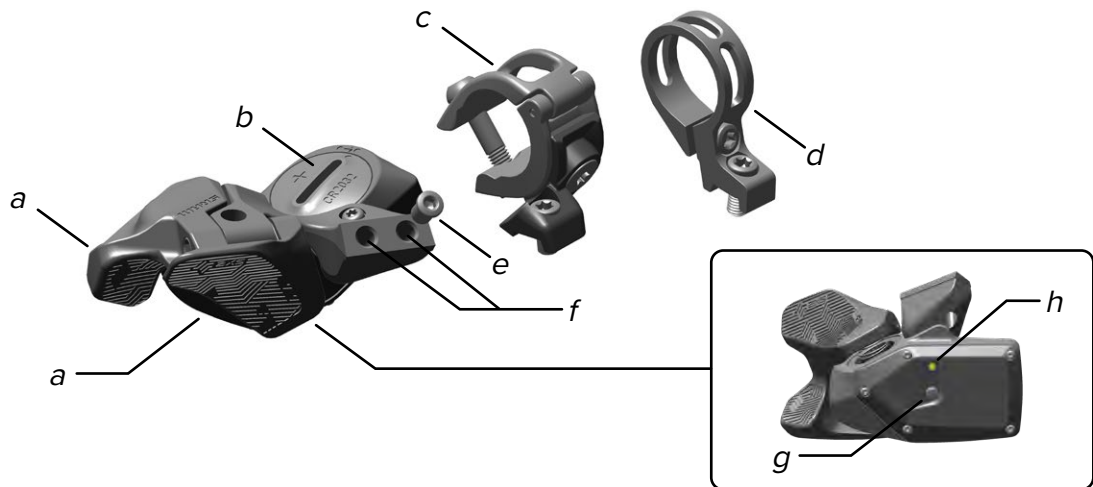


- a. Paddle
- b. Battery cover
- c. MatchMaker X (MMX) clamp

- d. AXS Controller discrete clamp
- e. Mount plug screw
- f. Clamp bolt holes

- g. AXS button (Pairing, Battery Check)
- h. LED indicator

SRAM AXS Rocker Controller



- a. Rocker paddle
- b. Battery cover
- c. MatchMaker X (MMX) clamp

- d. AXS Controller discrete clamp
- e. Mount plug screw
- f. Clamp bolt holes

- g. AXS button (Pairing, Battery Check)
- h. LED indicator

NOTICE

Hands and gloves must be clean before handling the SRAM battery. Contact with sunscreen or hydrocarbon cleaners may cause the battery to crack.

⚠ WARNING

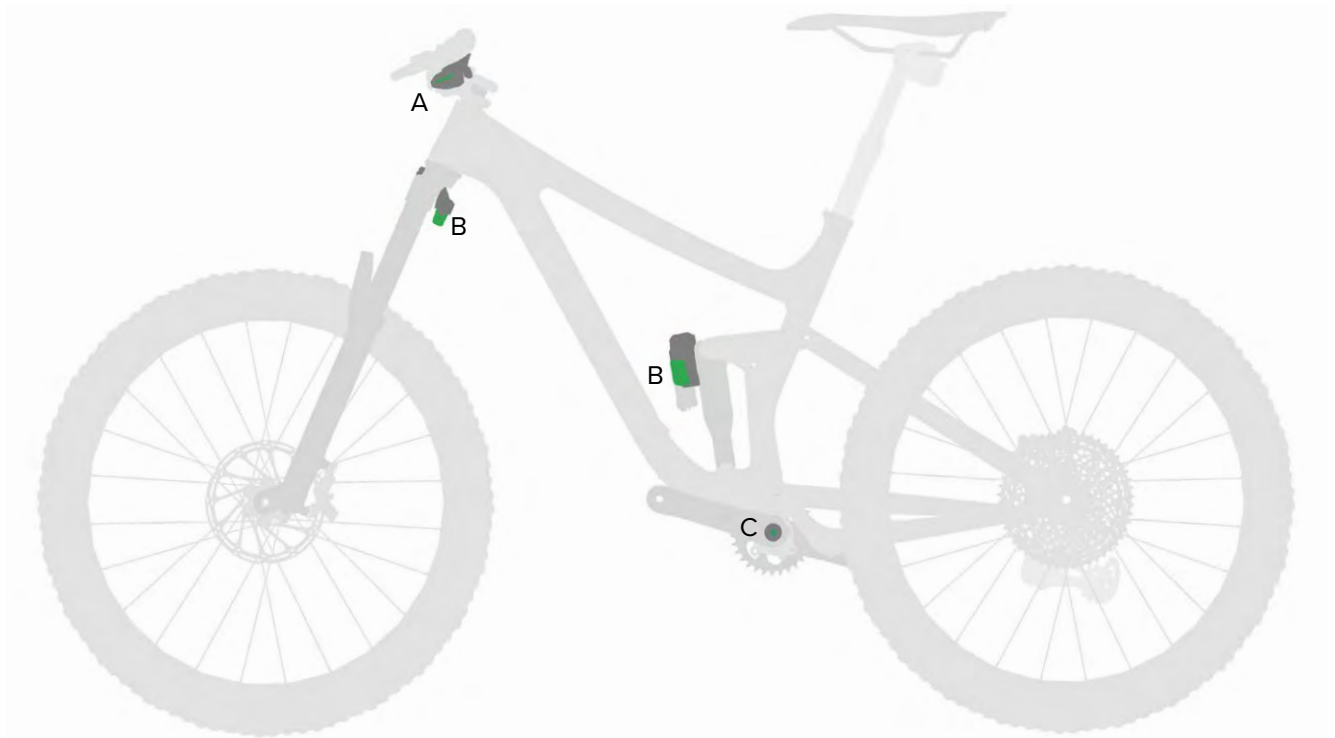
Consult the coin cell and AAA battery manufacturers for safe handling instructions.

Keep the batteries out of reach of children.

Do not put the battery in your mouth. If ingested, seek medical attention immediately.

Do not use sharp objects to remove the batteries.

Component Batteries



The AXS Controller (A) and Pedal Sensor (C) batteries are pre-installed. The SRAM batteries (B) are included separately and must be fully charged before installation and use.

NOTICE

If the AXS Controller coin cell battery is depleted, activating Flight Attendant, or any other paired AXS component, with the AXS Controller is not possible until the battery is replaced.

If a SRAM battery or Pedal Sensor battery is depleted during use, [Safe Mode](#) will be activated. Front and rear dampers will switch to OPEN at the time of battery depletion and will remain open until the battery is recharged or replaced.

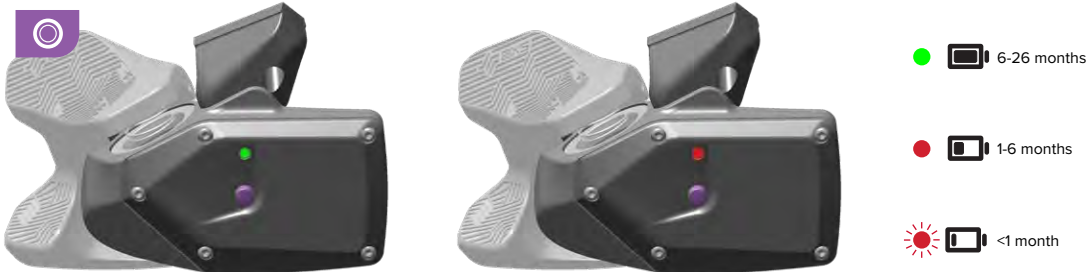
The Pedal Sensor **requires** a AAA Lithium/Iron Disulfide (Li/FeS₂). Use **only** AAA Lithium/Iron Disulfide (Li/FeS₂) batteries in the Pedal Sensor.

Battery Charge LED Indicator

The AXS component LED indicators illuminate when the component AXS button is pressed. The color of the LED indicates the battery charge level.

During use, if a Flight Attendant suspension component has a blinking red LED, the battery must be recharged or replaced.

Battery levels can also be checked in the SRAM AXS app.



SRAM Battery Charging



Remove the battery cover from each SRAM battery and charge both batteries.

Consult the *SRAM Battery and Charger User Manual* at www.sram.com/service for charging instructions, battery maintenance, and travel guidelines.

NOTICE

Do not discard the battery cover. To protect the battery terminals, install the battery cover on the battery when it is not on the charger or component.

Suspension Module Battery Installation



Open the battery latch and remove the battery block.



NOTICE

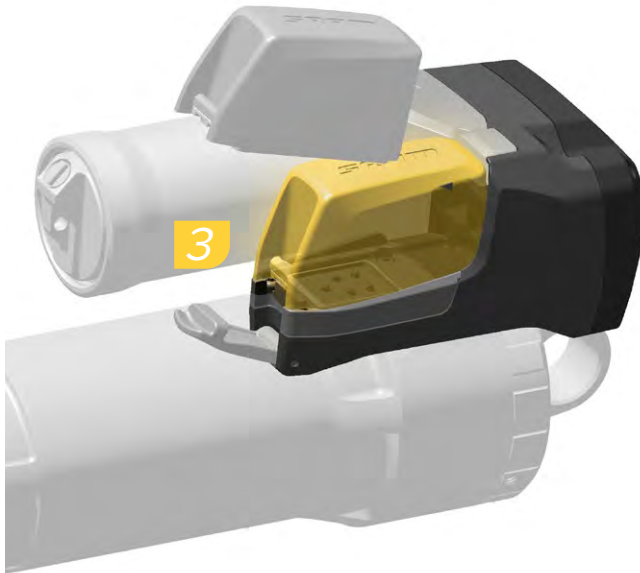
Do not discard the battery covers (A) and component battery blocks (B).

To prevent battery depletion during transportation, remove the SRAM batteries and install the battery blocks into each battery slot. Install each battery cover onto each battery.

Failure to cover the batteries and component battery terminals could result in damage to the terminals.

NOTICE

The battery block is installed to protect the electronic terminals.



Insert the fully charged SRAM battery into the module and close the battery latch.
When installed correctly, the latch will snap into place.

Controller Installation - Optional

AXS Controller - MMX Clamp



Friction Paste

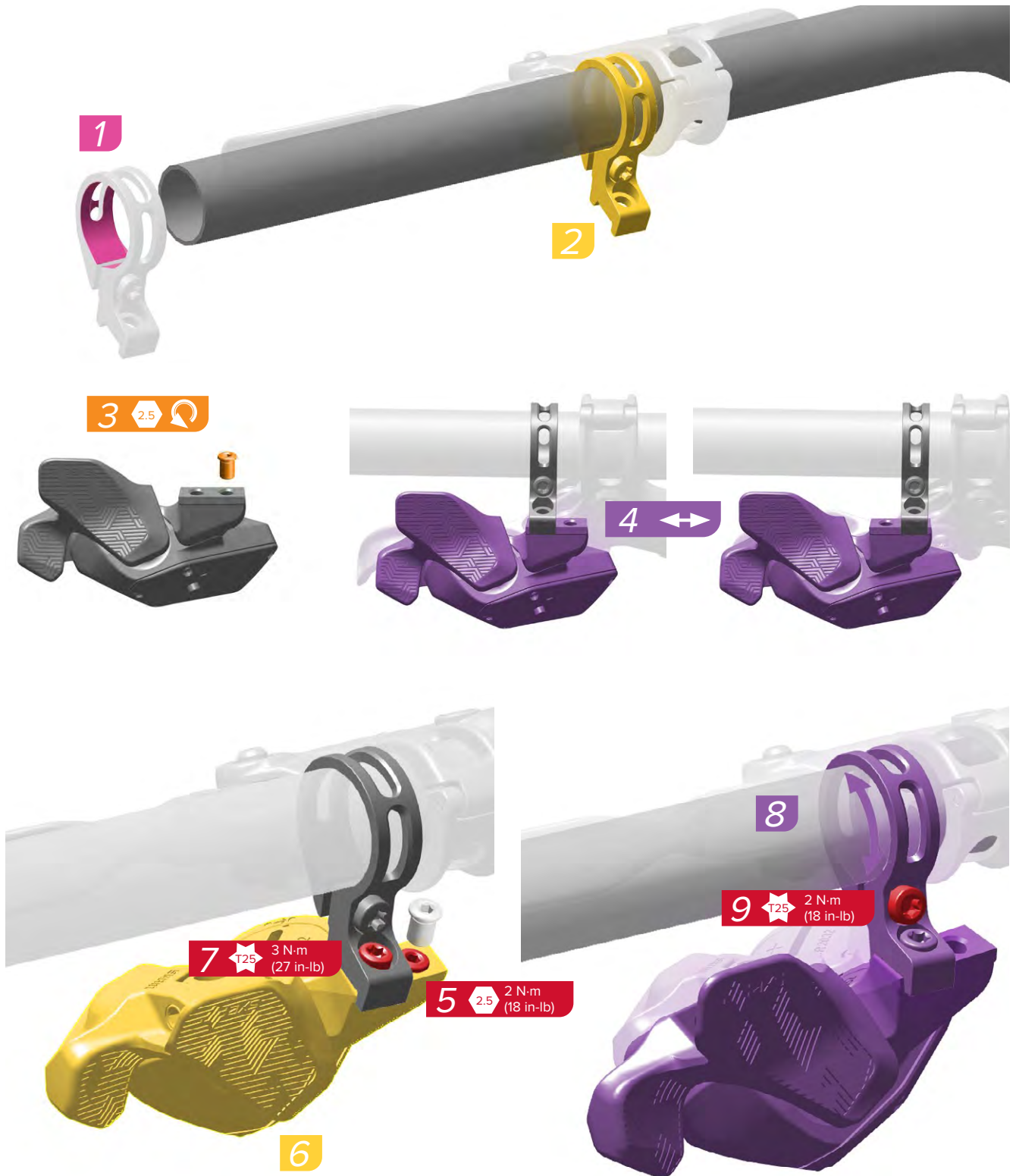
Install

Torque

Remove/Loosen

Adjust

AXS Controller - Discrete Clamp



 Friction Paste

 Install

 Remove/Loosen

 Adjust

 Torque

Component Serial Number Identification



Locate and record the AXS serial number on the Flight Attendant Control Module.

The serial number can be used in the AXS app to identify the Flight Attendant Control Module.

All paired components in the system will be linked to the Control Module.

Setup Process

After all components and fully charged batteries have been installed, complete the setup process before first use.

1. Activate the Pedal Sensor
2. Pair the system
3. Set suspension air pressure
4. Calibrate the system
5. Select Bias Adjustment
6. Set Low Speed Compression (LSC) damping (front and rear)

Activate Pedal Sensor

A new Pedal Sensor ships in a non-active state and must be activated before it can be paired into the Flight Attendant system.

Press and hold the AXS button for 5 seconds until the LED illuminates, then release. The Pedal Sensor is now ready to be paired.

A Pedal Sensor only needs to be activated once.



System Pairing

The Flight Attendant Control Module begins and ends the pairing session.

The Rear Shock Module, Pedal Sensor, and optional AXS Controller, must all be paired with the Control Module before use.

Additional AXS components can be paired with Flight Attendant to create [one AXS system](#). After multiple AXS components have been paired into one system, functions and preferences can be configured in the SRAM AXS app.



If pairing Flight Attendant components only, begin the pairing session with the Flight Attendant Control Module.

Press and hold the AXS button on the Control Module until the AXS LED blinks **slowly**, then release.

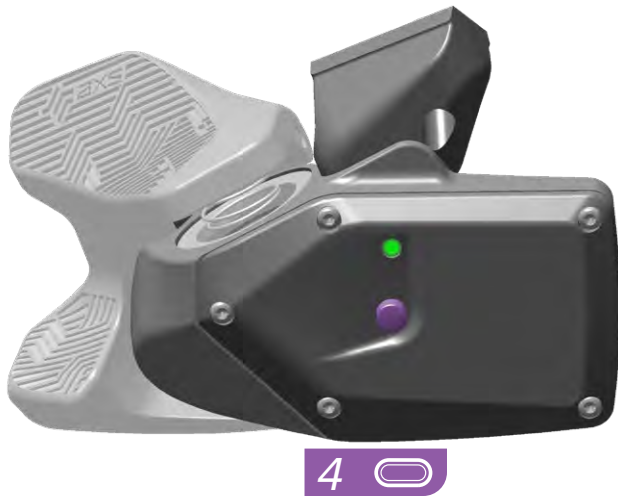
The pairing process will time out after 30 seconds of inactivity.



Press and hold the AXS button on the Rear Shock Module until the AXS LED blinks **quickly**, then release.



Press and hold the AXS button on the Pedal Sensor until the AXS LED blinks **quickly**, then release.



If installed (optional): Press and hold the AXS button on the AXS Controller until the LED blinks **quickly**, then release.



Press and release the AXS button on the Flight Attendant Control Module to end the pairing session, or wait 30 seconds for the session to time out. The AXS LED will stop blinking.



Successful pairing can be verified with the SRAM AXS app. All paired components will be listed below the Flight Attendant Control Module. If any Flight Attendant component does not respond, repeat the pairing process.

The pairing process does **not** need to be repeated when any battery is removed and/or replaced.

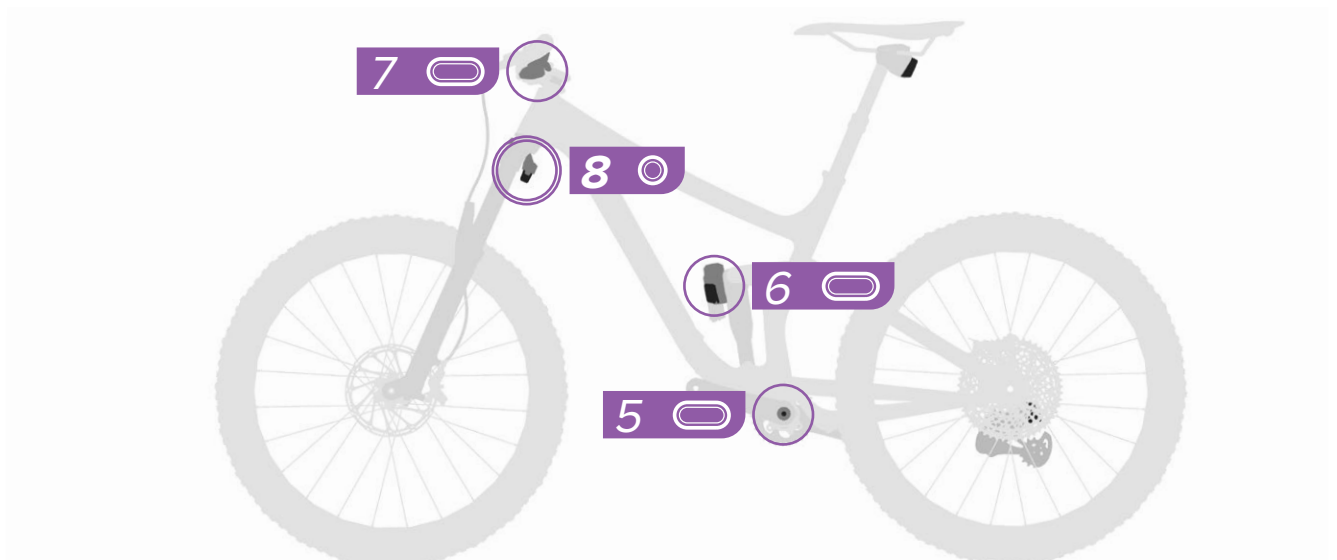
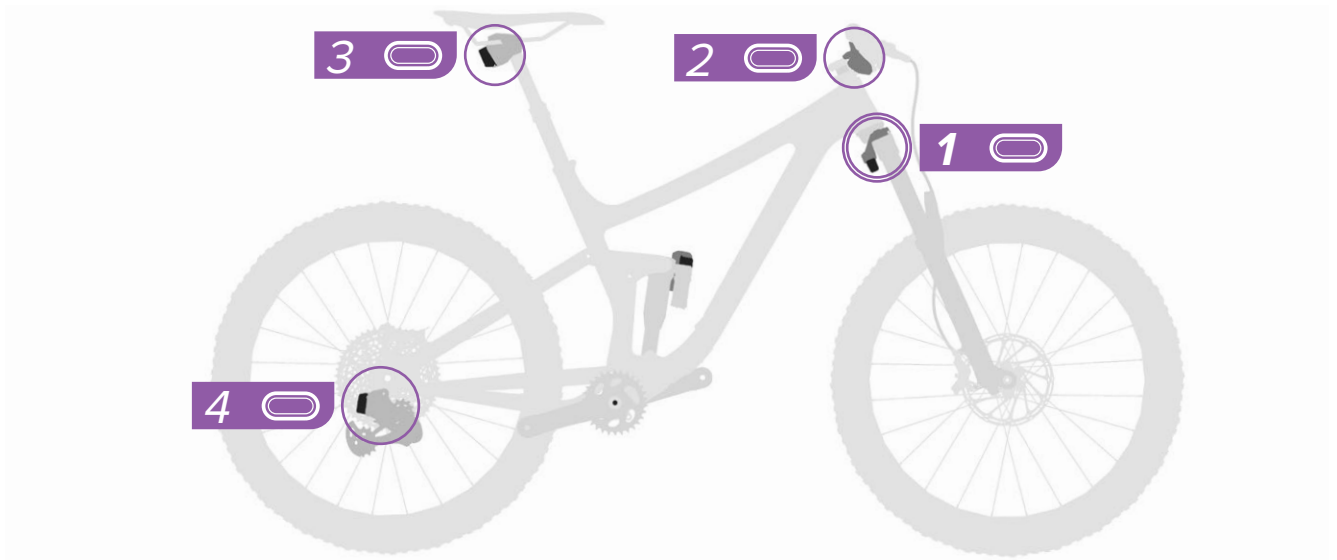
The pairing process **must** be repeated if any components are replaced, added, or removed.

Multi-System Pairing Options



To pair additional AXS components (AXS rear derailleur, Reverb AXS) into one AXS system, **begin** and **end** pairing with the Flight Attendant Control Module.

Flight Attendant and AXS components can be paired in any order after beginning with the Flight Attendant Control Module.



Pictured is a multi-system pairing **example** beginning (1) and ending (8) with the Flight Attendant Control Module.

Spring Air Pressure and Rebound Damping



Spring air pressure, which affects system Calibration and suspension performance, is set in the same manner as traditional suspension components, and must be set before system Calibration.

Rebound damping can be set and adjusted at any time.



Manual Mode is the active default mode for a **new** Flight Attendant system.

From the Manual Mode OPEN position, set front and rear spring air pressure.

Refer to the *RockShox Suspension Tuning Guide* for spring air pressure and rebound damper setting procedures.

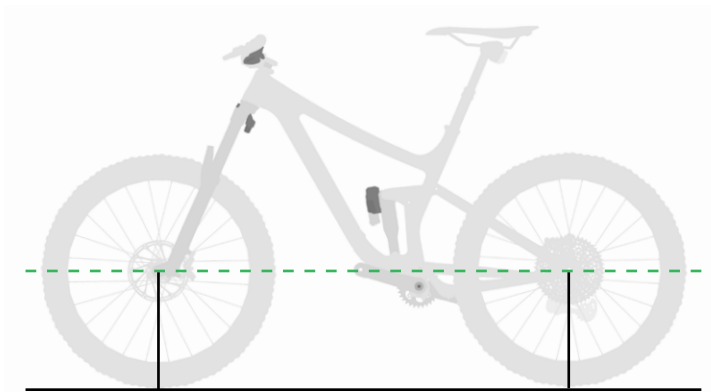
Calibrate the System

To ensure the system is set up correctly for the bicycle, Flight Attendant must be calibrated once per bicycle installation or component replacement, and before the bicycle is ridden.

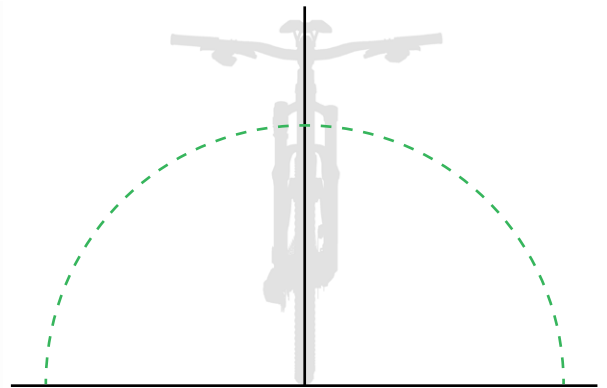
The system can be calibrated only after all components have been paired, and can be recalibrated at any time after the first system calibration.

Auto mode cannot be enabled until Flight Attendant has been Calibrated.

Prepare for Calibration



Find an indoor level surface for accurate calibration.



Position the bicycle upright 90° on a flat level surface with the handlebars even.

Calibrate



Calibration begins from Manual Mode (OPEN).



CALIBRATE VERTICAL: Lower the seat and sit on the bicycle with the front and rear suspension compressed in the sag position.

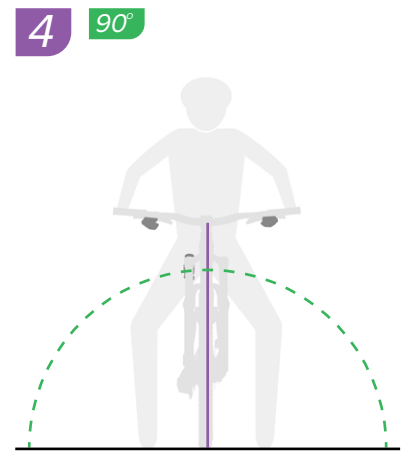
Important: Front and rear suspension spring air pressure must be set before calibration.



Press and hold the (-) and (+) buttons simultaneously for **3 seconds**.



When the PEDAL LED pulses White **slowly**, release the (-) and (+) buttons and continue to hold the bicycle upright and steady.



Hold the bicycle 90° vertical and steady. Do not move the bicycle.



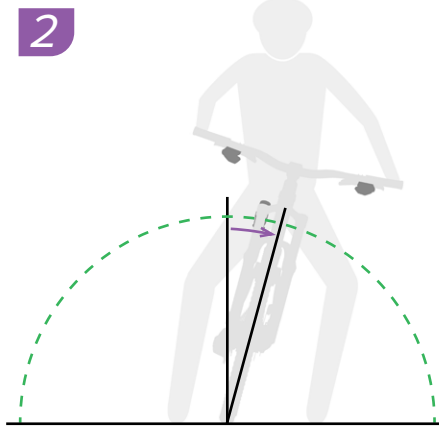
When the PEDAL LED blinks White **quickly**, Vertical Calibration is complete.



When the OPEN LED pulses White **slowly**, the system is ready for Tilt Calibration.



CALIBRATE TILT: When the OPEN LED pulses White **slowly**, unweight the suspension and stand over the bicycle.



Slowly start to tilt the bicycle toward the **non-drive side** and hold it steady.



Hold the bicycle steady in the tilted position with the handlebar straight.

When the OPEN LED blinks White **quickly**, Tilt Calibration is successful.

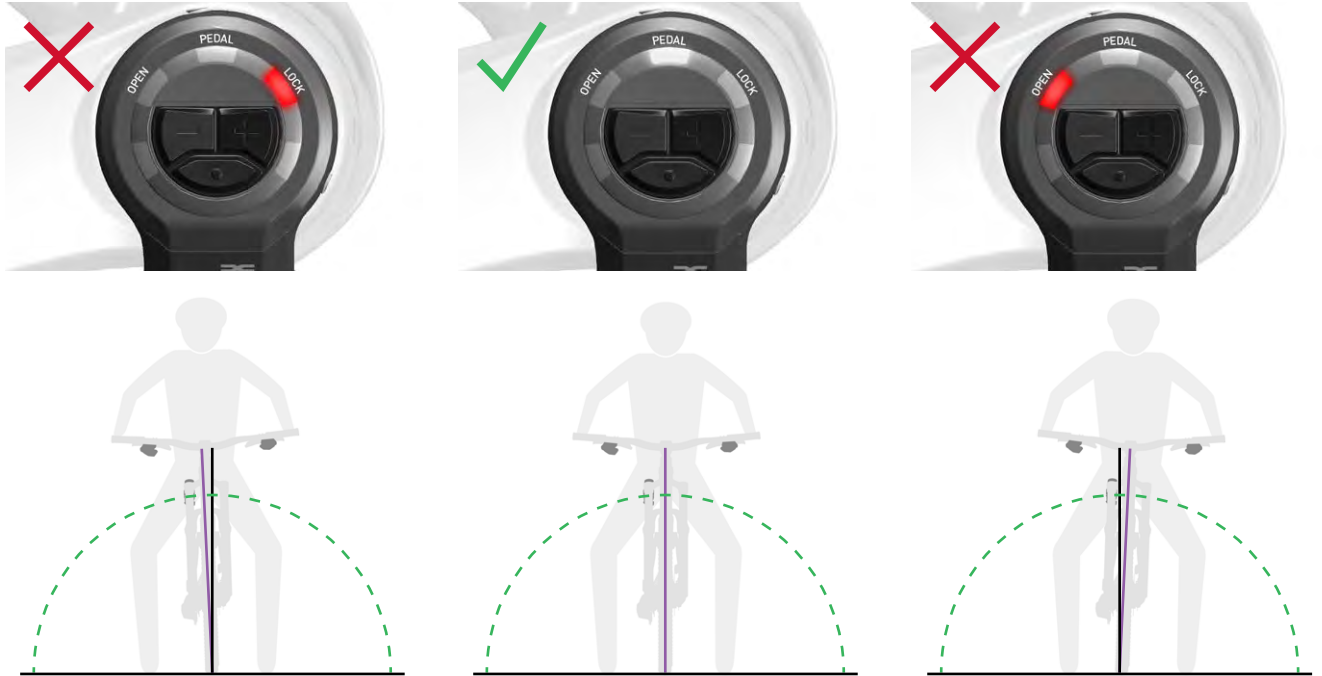


The OPEN LED will then pulse Green to indicate system Calibration is complete.

Repeat the Calibration process to improve accuracy if 1) the bicycle moved while holding steady during Vertical and Tilt Calibration, 2) front and/or rear shock air spring pressure and sag is changed, 3) any Flight Attendant component is replaced, 4) wheel size is changed, or 5) fork travel is changed.

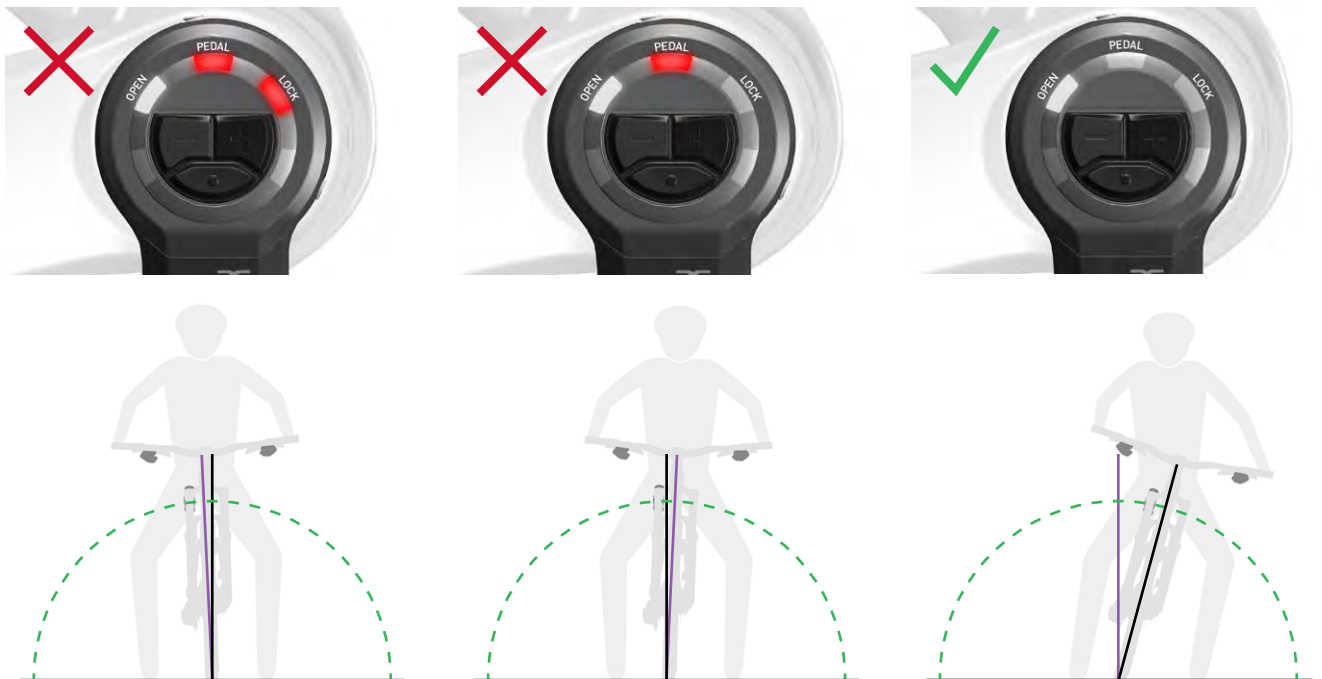
Repeat the [Calibration](#) procedure as needed.

Calibration Tilt / Error Indicators



Vertical Calibration Tilt Indication (Red LED)

During Vertical Calibration, Red LEDs may illuminate indicating that the bicycle is leaned too far in the direction of the Red LED. Tilt the bicycle slowly toward the PEDAL LED until only the PEDAL LED blinks **quickly**.



Tilt Calibration Tilt Indication (Red LED)

During Calibration, Red LEDs may illuminate indicating that the bicycle is leaned too far in the direction of the Red LED. Tilt the bicycle slowly toward the pulsing White OPEN LED until only the White OPEN LED blinks **quickly**.

Calibration Troubleshooting



System Time Out (Red LEDs):

If Calibration is not successful after 25 seconds during Vertical or Tilt Calibration, the OPEN, PEDAL, and LOCK LEDs will flash Red **simultaneously**.

When the Red LEDs stop flashing, Calibration is canceled and the system will return to the previously active mode.

Re-start the [Calibration](#) process.



Exit (Red LEDs):

If any button on the Flight Attendant Control Module is pressed during Calibration, the OPEN, PEDAL, and LOCK LEDs will flash Red **simultaneously**.

When the LEDs stop flashing, Calibration is canceled and the system will return to the previously active mode.

Re-start the [Calibration](#) process.



Rear Shock Error (Cyan LEDs)

If the rear shock was not detected during calibration, the OPEN, PEDAL, and LOCK LEDs will flash Cyan **simultaneously**.

Wake the rear shock with movement and re-start the [Calibration](#) process. Check the rear shock battery charge level if the rear shock does not awaken.

Set Bias Adjustment

Bias Adjustment determines how trail bumps and rider pedaling influence Flight Attendant's automatic suspension system while riding in Auto Mode.

Flight Attendant has 5 levels of Bias to match your riding style. Bias Adjustment starts with a default level of 'Zero Bias' which is a base setting for most riders.

Higher values bias the system toward firmness and efficiency with an increased likelihood of LOCK. Lower Bias values provide a more OPEN system that is less likely to activate LOCK.

Refer to the SRAM AXS app for setting Bias Adjustment level using the app.



Bias Adjustment selection must begin from Auto Mode.
Press and hold the Menu button until the OPEN LED is green.



Press and release the Menu button until the PEDAL LED (Zero Bias default) is magenta.



Press the (-) button to set a Bias Level that favors OPEN.

Press the (+) button to set a Bias Level that favors LOCK.



Press and hold the Menu button until Auto Mode is reactivated and one LED turns green, or wait 10 seconds to exit back to Auto Mode.

Set Low Speed Compression (LSC)

Set the desired front and rear suspension Low Speed Compression (LSC) damper settings.

LSC settings function independently of Flight Attendant Modes and remain set to the selected settings until changed manually with the Flight Attendant Control Module.

As with standard suspension components, LSC adjustment only affects OPEN position performance and has no effect on the PEDAL or LOCK settings.

LSC can be adjusted from Auto Mode or Manual Mode.



Set Fork LSC: From Auto Mode or Manual Mode, press and release the Menu button until the bottom left LED is blue; default setting 1 (lowest LSC).

Each LED illuminates at two brightness levels. 10 settings are available.

Press the (+) button to increase LSC damping.

Press the (-) button to decrease LSC damping.

Press and hold the Menu button, or wait 10 seconds, to return to the previously activated Mode.



Set Rear Shock LSC: From Auto Mode or Manual Mode, press and release the Menu button until the bottom left LED is cyan; default setting 1 (lowest LSC).

Each LED illuminates at two brightness levels. 10 settings are available.

Press the (+) button to increase LSC damping.

Press the (-) button to decrease LSC damping.

Press and hold the Menu button, or wait 10 seconds, to return to the previously activated Mode.

Modes and Settings

Flight Attendant functions can be selected with the Flight Attendant Control Module Menu button. Functions include Settings and Modes. Modes actuate and adjust suspension position in [Auto](#), [Manual](#), [Override](#), or [Safe Mode](#). Settings are used to select [Low Speed Compression \(LSC\)](#) damper settings, and select suspension Auto Mode [Bias Adjustment](#) level.

Suspension Position

Suspension Position is the electronically activated suspension setting (OPEN, PEDAL, or LOCK) while in [Auto](#), [Manual](#), [Override](#), or [Safe Mode](#). Suspension Position is automatically adjusted in Auto Mode based on selected [Bias Adjustment](#), and can be selected manually when in Manual Mode with the AXS Controller or Control Module. One pre-selected Override Suspension Position can be activated when in Auto Mode with the AXS Controller which instantly overrides Auto Mode. Front and rear suspension can be in separate suspension positions while riding in Auto mode. Two green LEDs will illuminate when different suspension positions are active for front and rear suspension.

Auto Mode

Auto Mode is the primary mode of operation. Green LEDs indicate that the system is in Auto Mode.

While in Auto Mode, Flight Attendant reads rider inputs and trail conditions to instantly adjust suspension positions. The front and rear suspension will automatically move between OPEN, PEDAL, and LOCK positions while riding.

The Control Module LEDs indicate the activated suspension positions.

Suspension position adjustments are made while riding based on the selected Bias Adjustment level (more OPEN or more LOCK actuation).



Auto Mode is the default mode when Flight Attendant is 'awake', or on.

To activate Auto Mode from any other Mode, press and hold the Menu button until one LED pulses green.

Flight Attendant will monitor and adjust the front and rear suspension automatically while riding.

Suspension position adjustments are made based on the selected Bias Adjustment level (more OPEN or more LOCK actuation).

[Adjust the Bias level](#) at any time as needed to achieve the desired Auto Mode ride characteristics.

Use Auto Mode to maximize pedaling efficiency and to allow the system to adjust the suspension automatically.

Front and rear suspension can be in different suspension positions in Auto Mode.

Two green LEDs will illuminate when different suspension positions are active.



A

FRONT SUSPENSION - OPEN
REAR SUSPENSION - OPEN



B

FRONT SUSPENSION - OPEN
REAR SUSPENSION - PEDAL



C

FRONT SUSPENSION - PEDAL
REAR SUSPENSION - PEDAL



D

FRONT SUSPENSION - PEDAL
REAR SUSPENSION - LOCK



E

FRONT SUSPENSION - LOCK
REAR SUSPENSION - LOCK

Manual Mode

Manual Mode can only be activated from the Flight Attendant Control Module Menu button. Manual Mode allows the suspension to be put into OPEN, PEDAL, or LOCK suspension position manually by the rider.

Suspension air spring settings should be set with the system in Manual Mode, in the OPEN position. Refer to the *RockShox Suspension Tuning Guide* or *Front and Rear Suspension User Manuals* for further information.

Use the Flight Attendant Control Module (-) and (+) buttons, or the AXS Controller if installed, to change suspension positions while riding in Manual Mode.



To activate Manual Mode, press and hold the Menu button until the OPEN suspension position LED is red.

To reactivate Auto Mode, press and hold the Menu button until the suspension position (OPEN, PEDAL, OR LOCK) LED is green.

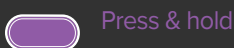
OPEN is the default Manual Mode suspension position when Flight Attendant is activated for the first time.



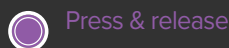
Flight Attendant Control Module: Press the Control Module (-) (+) adjustment buttons to select a suspension position (OPEN, PEDAL, or LOCK).



AXS Controller: Press the assigned AXS Controller paddle to cycle through and select a suspension position (OPEN, PEDAL, or LOCK).



Press & hold



Press & release

Override Mode

With the AXS Controller, the rider can manually deactivate Auto Mode and activate Override Mode which activates a preselected suspension position (OPEN, PEDAL, or LOCK).

The system will remain in Override Mode until Auto Mode is reactivated with the AXS Controller.

LOCK is the default Override suspension position.

Use the SRAM AXS app to change the Override Mode position from LOCK to OPEN or PEDAL.



When in Auto Mode, press and hold the assigned AXS Controller paddle for ONE SECOND to activate Override Mode.



The Control Module LED will illuminate and pulse orange when the system is in Override Mode.



Press and release the AXS Controller paddle to return to Auto Mode.



The Control Module LED will illuminate and pulse green when the system is in Auto Mode.

Safe Mode

When Safe Mode has been activated, the OPEN, PEDAL, and, LOCK LEDs will pulse yellow and suspension Position switches to OPEN.

The Flight Attendant system enters Safe Mode when the battery level of the fork or rear shock Control Module, or Pedal Sensor has reached a low state, or if a battery is missing from a component.

Install a fully charged battery to return to Auto Mode.

Safe Mode (OPEN) may also be activated if communication with the rear shock is lost due to its sleep (off) cycle.

Wake the rear shock with movement to restore communication.

Safe Mode Troubleshooting

If three yellow LEDs are illuminated Safe Mode has been activated.

Settings cannot be adjusted in the SRAM AXS app when Safe Mode is activated.

Safe Mode cannot be exited until the triggering issue has been resolved.

Refer to the table below to troubleshoot and restore function.



CAUSE	CORRECT	VERIFY	PREVENT
Control Module battery has reached a low charge level.	Press AXS button, check LED color. If flashing red, battery has reached a low charge level. Replace battery with fully charged battery.	Wake components and confirm Control Module LED pulses green, and Auto Mode has been activated.	Check battery levels before each ride and charge or replace batteries as needed.
Rear Shock Module battery has reached a low charge level.			
Pedal Sensor battery has reached a low charge level.			
Control Module has lost communication with rear shock.	Confirm rear shock SRAM battery is installed. Install SRAM battery.		Confirm SRAM battery latch is closed correctly.
	Rear Shock may be asleep (off). Move bicycle to wake (on) the rear shock.		Move bicycle to wake rear shock before using Flight Attendant.

Operating Flight Attendant

Flight Attendant is ready to operate when fully charged batteries are installed, pairing and calibration have been completed, Settings have been selected, and the front and rear suspension have been set up properly.

When the system 'wakes up' from bicycle movement, Flight Attendant is activated and the bicycle is ready to ride. Switch Modes as desired with the Control Module or the AXS Controller.

Make any necessary suspension setting adjustments after a few rides to refine the suspension setup.

Use the SRAM AXS app for additional system details, to customize settings, or to make further adjustments.

Maintenance

Flight Attendant components require periodic cleaning and basic service to maintain proper function.

NOTICE

Failure to maintain and service your RockShox components can result in premature product malfunction and/or failure.

Suspension Service

Before suspension disassembly and service, activate Manual Mode with the Flight Attendant Control Module and set the suspension to the OPEN position using the (-) or (+) button.

Compress the suspension fork and rear shock to confirm each damper is in the OPEN position and compresses freely.

Remove the SRAM batteries from each suspension component and install the battery blocks before service.

Consult the Flight Attendant suspension fork and rear shock service manuals at www.sram.com/service for service interval schedules, procedures, and further details.

Cleaning

It is recommended that you periodically clean your Flight Attendant components.

Use a damp cloth to wipe off any dirt and debris. Clean the components with soap and water only. Rinse thoroughly with water and allow the parts to dry.

NOTICE

Remove the SRAM batteries and install the battery blocks into the Flight Attendant Control Module and rear shock Module before cleaning.

Do not clean the components with a power washer.

Do not use acidic or grease-dissolving agents. Do not soak or store Flight Attendant components or the AXS Controller in any cleaning product or liquid. Chemical cleaners and solvents can damage plastic components.

Storage and Transportation

Storage conditions: Temperature from -40°C to 70°C, humidity from 10% to 85%

Operating conditions: Temperature from -10°C to 40°C, humidity from 0% to 100%

Service life: 5 years

Remove the SRAM batteries and Pedal Sensor battery to preserve battery life during long term storage and when the bicycle is transported.

Remove the Pedal Sensor from the crank, and remove the AAA battery to preserve battery life.

NOTICE

Remove the SRAM batteries and install the battery blocks and battery covers when the bicycle is being transported or not in use for long periods of time. Failure to remove the SRAM batteries could result in battery depletion.

Failure to cover the battery and AXS component terminals could result in damage to the terminals.

Controller Battery Replacement



Use a coin to remove the battery cover.
Remove the battery from the cover.



NOTICE

To prevent moisture damage do not remove the battery cover o-ring seal.



Insert a new CR2032 coin cell battery into the battery cover, positive terminal side first.



Reinstall the battery cover.

Use a coin to turn the cap clockwise to align the dots and lock it into place.

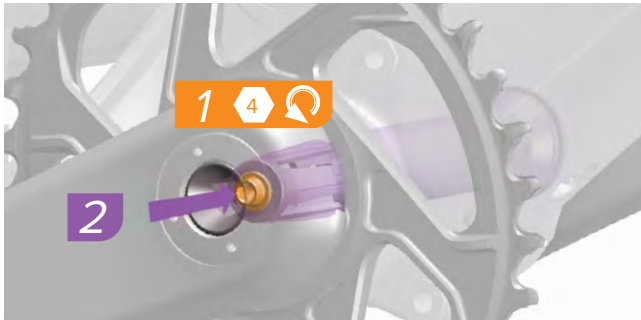
Pedal Sensor - Battery and Service

NOTICE

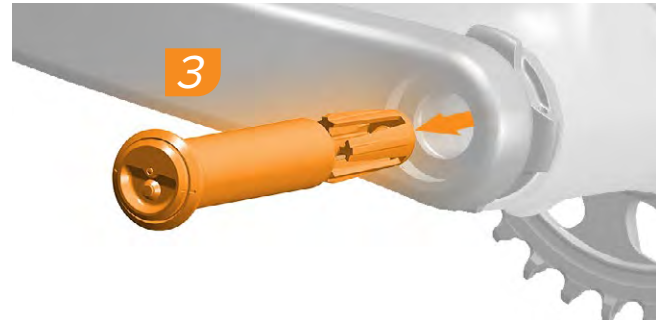
To avoid permanent damage to the Pedal Sensor caused by battery corrosion, ONLY use AAA Lithium/Iron Disulfide (Li/FeS₂) non-rechargeable batteries.

Do NOT use rechargeable Lithium (Li-ion), alkaline, or nickel metal hydride (Ni-MH) batteries in the Pedal Sensor.

Non-Threaded Pedal Sensor - Removal



Loosen the Pedal Sensor bolt (drive side) while pushing the Pedal Sensor assembly into the crank spindle. When the expander wedge is loose enough, push the Pedal Sensor assembly out of the non-drive side crank spindle with the hex wrench.



NOTICE

Only loosen the expander wedge bolt enough to dislodge the wedge; do not remove the bolt.

Threaded Pedal Sensor - Removal



Loosen the Pedal Sensor expander wedge bolt (drive side).

NOTICE

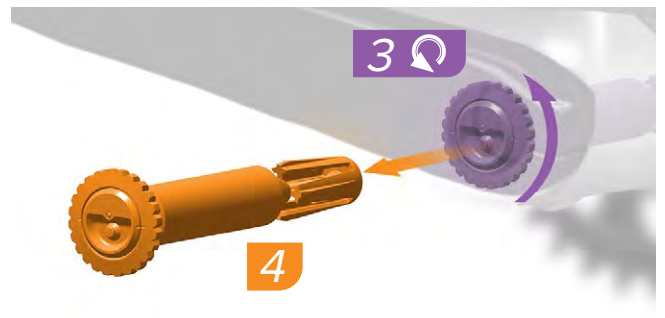
Only loosen the expander wedge bolt enough to dislodge the wedge; do not remove the bolt.



Threaded Seal Tube: Loosen the crank arm pinch bolts.

NOTICE

Only loosen the pinch bolts; do not remove.



Unthread the Pedal Sensor from the non-drive side crank arm and spindle.

Remove the Pedal Sensor from the crank spindle.

Replace Battery



With the tapered end on a flat soft surface, push down holding the seal tube.

The seal tube will snap free from the Pedal Sensor assembly.

Remove the seal tube.



⚠ WARNING

Do not use a metal tool to remove the battery.

Remove the AAA Lithium/Iron Disulfide (Li/FeS₂) battery.

Install a new AAA Lithium/Iron Disulfide (Li/FeS₂) battery in the correct orientation.

NOTICE

The Pedal Sensor **requires** a AAA Lithium/Iron Disulfide (Li/FeS₂). Use **only** AAA Lithium/Iron Disulfide (Li/FeS₂) batteries in the Pedal Sensor.



Optional Service: Remove the o-rings from the Pedal Sensor assembly and seal tube, and discard them.

Clean the o-ring grooves with a damp shop towel.

Apply grease to new o-rings and install them onto the Pedal Sensor assembly and seal tube.

Consult the *RockShox Spare Parts Catalog* at www.sram.com/service for available spare part kits.




Install the Pedal Sensor assembly into the seal tube, align the tabs, and press both pieces together until the tube snaps into place.



Install the expander wedge/bolt assembly.



Thread the bolt finger tight.

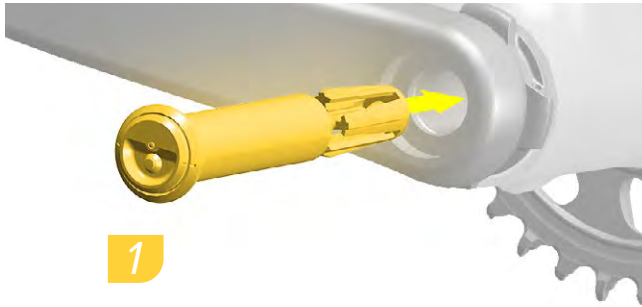
 Remove/Loosen

 Install

 Grease

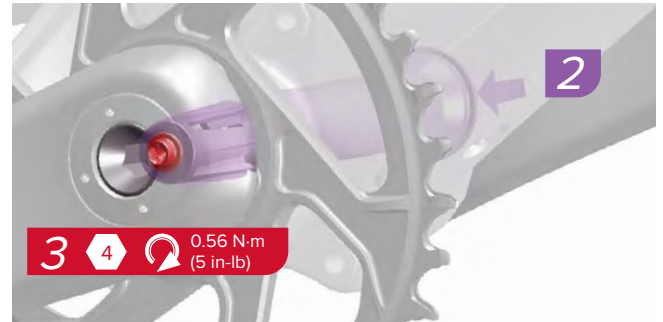
 Adjust

Non-Threaded Pedal Sensor - Installation



Install the Pedal Sensor into the non-drive side crank spindle.

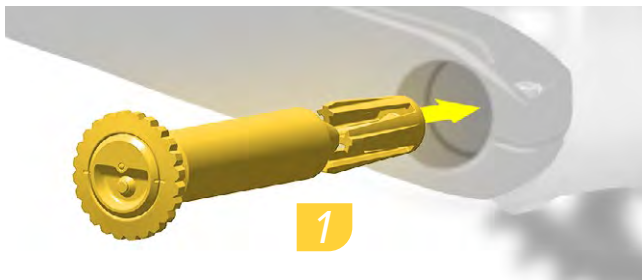
While pressing the end of the Pedal Sensor into the crank with your thumb, tighten the expander wedge bolt to the specified torque.



NOTICE

To avoid damage to the expander wedge, do not over tighten the expander wedge bolt.

Threaded Pedal Sensor - Installation



Install the Pedal Sensor into the non-drive side crank spindle.

Thread the Pedal Sensor into the crank until it is hand tight.



NOTICE

To avoid damage to the seal tube, do not over tighten. Confirm the crank is flush against the bottom bracket and that there is no side to side movement.



Tighten the expander wedge bolt to the specified torque.

NOTICE


To avoid damage to the expander wedge, do not over tighten the expander wedge bolt.



Tighten the crank pinch bolts to the crank manufacturer's torque specification.

NOTICE

To avoid damage to the crank arm, do not over tighten the pinch bolts.

 For recycling and environmental compliance, please visit www.sram.com/en/company/about/environmental-policy-and-recycling.

Replace the SRAM battery with an authentic SRAM battery only. Replace the AXS Controller battery with a CR2032 coin cell battery only. Replace the Pedal Sensor battery with a AAA Lithium/Iron Disulfide (Li/FeS₂) battery only.

Consult the *SRAM Battery and Charger Manual* for battery maintenance and specifications.

WARNING

Never dispose of batteries in a fire.

These are registered trademarks of SRAM, LLC:

1:1®, Accuwatt®, Avid®, ATAC®, AXS®, Bar®, Bioposition®, Blackbox®, BoXXer®, DoubleTap®, eTap®, Firecrest®, Firex®, Grip Shift®, GXP®, Holzfeller®, Hussefelt®, Icllic®, i-Motion®, Judy®, Know Your Powers®, NSW®, Omnium®, Osmos®, Pike®, PowerCal®, PowerLock®, PowerTap®, Qollector®, Quarq®, RacerMate®, Reba®, Rock Shox®, Ruktion®, Service Course®, ShockWiz®, SID®, Single Digit®, Speed Dial®, Speed Weaponry®, Spinscan®, SRAM®, SRAM APEX®, SRAM EAGLE®, SRAM FORCE®, SRAM RED®, SRAM RIVAL®, Stylo®, TIME®, Truativ®, TyreWiz®, UDH®, Varicrank®, Velotron®, X0®, X01®, X-SYNC®, XX1®, Zipp®

These are registered logos of SRAM, LLC:



These are trademarks of SRAM, LLC:

10K™, 1X™, 202™, 30™, 30 Course™, 35™, 302™, 303™, 353™, 404™, 454™, 808™, 858™, 3ZERO MOTO™, ABLC™, AeroGlide™, AeroBalance™, AeroLink™, Airea™, Air Guides™, AKA™, AL-7050-TV™, Atmos™, Automatic Drive™, AxCad™, Axial Clutch™, Base™, BB5™, BB7™, BB30™, Bleeding Edge™, Blipbox™, BlipClamp™, BlipGrip™, Blips™, Bluto™, Bottomless Tokens™, ButterCup™, Cage Lock™, Carbon Bridge™, Centera™, Charger 2™, Charger™, Charger Race Day™, Cleansweep™, Clickbox Technology™, Clics™, Code™, Cognition™, CoLab™, Connectamajig™, Counter Measure™, CYCLO™, DD3™, DD3 Pulse™, DebonAir™, Deluxe™, Deluxe Re:Aktiv™, Descendant™, DFour™, DFour91™, DH™, Dig Valve™, DirectLink™, Direct Route™, Domain™, DOT 5.1™, Double Decker™, Double Time™, Dual Flow Adjust™, Dual Position Air™, DUB™, DUB-PWR™, DZero™, E300™, E400™, Eagle™, E-Connect4™, ErgoBlade™, ErgoDynamics™, ESP™, EX1™, Exact Actuation™, Exogram™, Flight Attendant™, Flow Link™, FR-5™, Full Pin™, G2™, G40™, Giga Pipe™, Gnar Dog™, Guide™, GS™, GX™, Hard Chrome™, Hexfin™, HollowPin™, Howitzer™, HRD™, Hybrid Drive™, Hyperfoil™, i-3™, Impress™, Jaws™, Jet™, Kage™, Komfy™, LINK™, Lyrik™, MatchMaker™, Maxle™, Maxle 360™, Maxle DH™, Maxle Lite™, Maxle Lite DH™, Maxle Stealth™, Maxle Ultimate™, Micro Gear System™, Mini Block™, Mini Cluster™, Monarch™, Monarch Plus™, Motion Control™, Motion Control DNA™, MRX™, MX™, Noir™, NX™, OCT™, OmniCal™, OneLoc™, Paceline™, Paragon™, PC-1031™, PC-1110™, PC-1170™, PG-1130™, PG-1050™, PG-1170™, Piggyback™, Poploc™, Power Balance™, Power Bulge™, PowerChain™, PowerDomeX™, Powered by SRAM™, PowerGlide™, PowerLink™, Power Pack™, Power Spline™, Predictive Steering™, Pressfit™, Pressfit 30™, Prime™, Qalvin™, R2C™, Rapid Recovery™, Re:Aktiv ThruShaft™, Recon™, Reverb™, Revelation™, Riken™, Roller Bearing Clutch™, Rolling Thunder™, RS-1™, Rudy™, Rush™, RXS™, Sag Gradients™, Sawtooth™, SCT - Smart Coasterbrake Technology™, Seeker™, Sektor™, SHIFT™, ShiftGuide™, Shorty™, Showstopper™, SIDLuxe™, Side Swap™, Signal Gear Technology™, SL™, SL-70™, SL-70 Aero™, SL-70 Ergo™, SL-80™, SL-88™, SLC2™, SL SPEED™, SL Sprint™, Smart Connect™, Solo Air™, Solo Spoke™, Speciale™, SpeedBall™, Speed Metal™, SRAM APEX 1™, SRAM Force 1™, SRAM RIVAL 1™, S-series™, Stealth-a-majig™, StealthRing™, Super-9™, Supercork™, Super Deluxe™, Super Deluxe Coil™, SwingLink™, SX™, Tangente™, TaperCore™, Timing Port Closure™, TSE Technology™, Tool-free Reach Adjust™, Top Loading Pads™, Torque Caps™, TRX™, Turnkey™, TwistLoc™, VCLC™, Vivid™, Vivid Air™, Vuka Aero™, Vuka Alumina™, Vuka Bull™, Vuka Clip™, Vuka Fit™, Wide Angle™, WiFLi™, X1™, X3™, X4™, X5™, X7™, X9™, X-Actuation™, XC™, X-Dome™, XD™, XDR™, XG-1150™, XG-1175™, XG-1180™, XG-1190™, X-Glide™, X-GlideR™, X-Horizon™, XLoc Sprint™, XPLR™, XPRESSO™, XPRO™, X-Range™, XX™, Yari™, ZEB™, Zero Loss™, ZM2™, ZR1™



Specifications and colors subject to change without prior notice.
© 2021 SRAM, LLC

ASIAN HEADQUARTERS

SRAM Taiwan
No. 1598-8 Chung Shan Road
Shen Kang Hsiang, Taichung City
Taiwan R.O.C.

WORLD HEADQUARTERS

SRAM LLC
1000 W. Fulton Market, 4th Floor
Chicago, Illinois 60607
U.S.A.

EUROPEAN HEADQUARTERS

SRAM Europe
Paasbosweg 14-16
3862ZS Nijkerk
The Netherlands