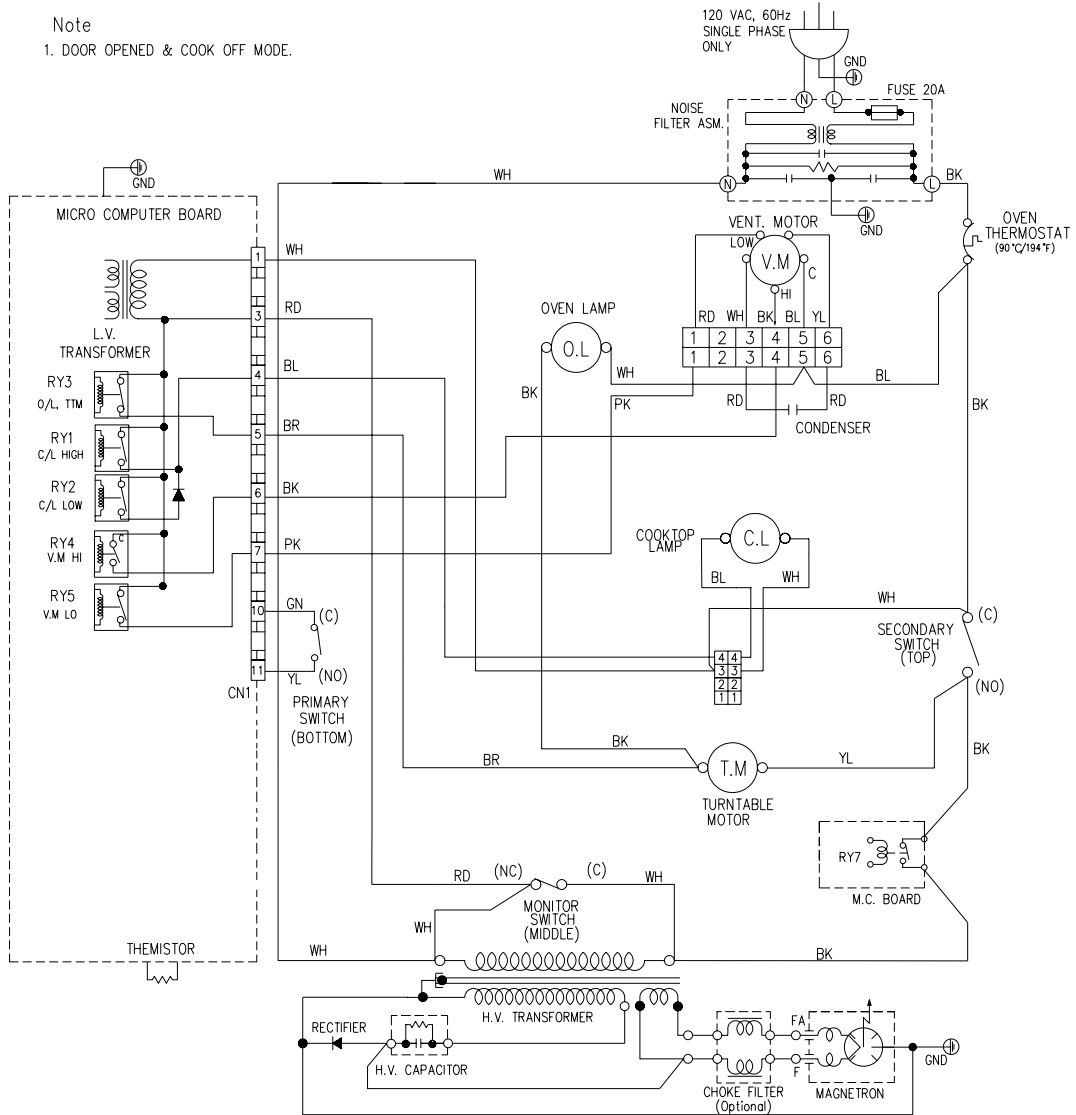


**APPENDIX C. Block Diagram / Schematics**



<Fig. 3. Schematic Diagram>