

ENDC

Low Band (3 450 ~ 3 550 MHz)

7A-n77A (60 MHz - DFTS-OFDM BPSK)

Frequency (MHz)	Measured Level (dB μ V)	Ant. Pol.	AF (dB/m)	AMP+CL (dB)	E (dB μ V/m)	CF (dB)	E.I.R.P. (dB m)	Limit (dB m)	Margin (dB)
Low Channel (3 480.00 MHz)									
Below 1 000.00	Not detected	-	-	-	-	-	-	-	-
Above 1 000.00	Not detected	-	-	-	-	-	-	-	-
Middle Channel (3 500.01 MHz)									
Below 1 000.00	Not detected	-	-	-	-	-	-	-	-
Above 1 000.00	Not detected	-	-	-	-	-	-	-	-
High Channel (3 519.99 MHz)									
Below 1 000.00	Not detected	-	-	-	-	-	-	-	-
Above 1 000.00	Not detected	-	-	-	-	-	-	-	-

5A-n78A (20 MHz - DFTS-OFDM QPSK)

Frequency (MHz)	Measured Level (dB μ V)	Ant. Pol.	AF (dB/m)	AMP+CL (dB)	E (dB μ V/m)	CF (dB)	E.I.R.P. (dB m)	Limit (dB m)	Margin (dB)
Low Channel (3 460.02 MHz)									
Below 1 000.00	Not detected	-	-	-	-	-	-	-	-
Above 1 000.00	Not detected	-	-	-	-	-	-	-	-
Middle Channel (3 500.01 MHz)									
Below 1 000.00	Not detected	-	-	-	-	-	-	-	-
Above 1 000.00	Not detected	-	-	-	-	-	-	-	-
High Channel (3 540.00 MHz)									
Below 1 000.00	Not detected	-	-	-	-	-	-	-	-
Above 1 000.00	Not detected	-	-	-	-	-	-	-	-

High Band (3 700 ~ 3 980 MHz)

7A-n77A (40 MHz - DFTS-OFDM BPSK)

Frequency (MHz)	Measured Level (dB μ V)	Ant. Pol.	AF (dB/m)	AMP+CL (dB)	E (dB μ V/m)	CF (dB)	E.I.R.P. (dB m)	Limit (dB m)	Margin (dB)
Low Channel (3 720.00 MHz)									
Below 1 000.00	Not detected	-	-	-	-	-	-	-	-
Above 1 000.00	Not detected	-	-	-	-	-	-	-	-
Middle Channel (3 840.00 MHz)									
Below 1 000.00	Not detected	-	-	-	-	-	-	-	-
Above 1 000.00	Not detected	-	-	-	-	-	-	-	-
High Channel (3 960.00 MHz)									
Below 1 000.00	Not detected	-	-	-	-	-	-	-	-
Above 1 000.00	Not detected	-	-	-	-	-	-	-	-

5A-n78A (60 MHz - DFTS-OFDM BPSK)

Frequency (MHz)	Measured Level (dB μ V)	Ant. Pol.	AF (dB/m)	AMP+CL (dB)	E (dB μ V/m)	CF (dB)	E.I.R.P. (dB m)	Limit (dB m)	Margin (dB)
Low Channel (3 730.02 MHz)									
Below 1 000.00	Not detected	-	-	-	-	-	-	-	-
Above 1 000.00	Not detected	-	-	-	-	-	-	-	-
Middle Channel (3 840.00 MHz)									
Below 1 000.00	Not detected	-	-	-	-	-	-	-	-
Above 1 000.00	Not detected	-	-	-	-	-	-	-	-
High Channel (3 949.98 MHz)									
Below 1 000.00	Not detected	-	-	-	-	-	-	-	-
Above 1 000.00	Not detected	-	-	-	-	-	-	-	-

MIMO

Low Band (3 450 ~ 3 550 MHz)

NR Band 77/78 (90 MHz - CP-OFDM QPSK)

Frequency (MHz)	Measured Level (dB μ V)	Ant. Pol.	AF (dB/m)	AMP+CL (dB)	E (dB μ V/m)	CF (dB)	E.I.R.P. (dB m)	Limit (dB m)	Margin (dB)
Low Channel (3 495.00 MHz)									
Below 1 000.00	Not detected	-	-	-	-	-	-	-	-
Above 1 000.00	Not detected	-	-	-	-	-	-	-	-
Middle Channel (3 500.01 MHz)									
Below 1 000.00	Not detected	-	-	-	-	-	-	-	-
Above 1 000.00	Not detected	-	-	-	-	-	-	-	-
High Channel (3 504.99 MHz)									
Below 1 000.00	Not detected	-	-	-	-	-	-	-	-
Above 1 000.00	Not detected	-	-	-	-	-	-	-	-

High Band (3 700 ~ 3 980 MHz)

NR Band 77/78 (60 MHz - CP-OFDM QPSK)

Frequency (MHz)	Measured Level (dB μ V)	Ant. Pol.	AF (dB/m)	AMP+CL (dB)	E (dB μ V/m)	CF (dB)	E.I.R.P. (dB m)	Limit (dB m)	Margin (dB)
Low Channel (3 730.02 MHz)									
Below 1 000.00	Not detected	-	-	-	-	-	-	-	-
Above 1 000.00	Not detected	-	-	-	-	-	-	-	-
Middle Channel (3 840.00 MHz)									
Below 1 000.00	Not detected	-	-	-	-	-	-	-	-
Above 1 000.00	Not detected	-	-	-	-	-	-	-	-
High Channel (3 949.98 MHz)									
Below 1 000.00	Not detected	-	-	-	-	-	-	-	-
Above 1 000.00	Not detected	-	-	-	-	-	-	-	-

- External Antenna

SISO

Low Band (3 450 ~ 3 550 MHz)

NR Band 77/78 (80 MHz - DFTS-OFDM QPSK)

Frequency (MHz)	Measured Level (dB μ V)	Ant. Pol.	AF (dB/m)	AMP+CL (dB)	E (dB μ V/m)	CF (dB)	E.I.R.P. (dB m)	Limit (dB m)	Margin (dB)
Low Channel (3 490.02 MHz)									
Below 1 000.00	Not detected	-	-	-	-	-	-	-	-
Above 1 000.00	Not detected	-	-	-	-	-	-	-	-
Middle Channel (3 500.01 MHz)									
Below 1 000.00	Not detected	-	-	-	-	-	-	-	-
Above 1 000.00	Not detected	-	-	-	-	-	-	-	-
High Channel (3 510.00 MHz)									
Below 1 000.00	Not detected	-	-	-	-	-	-	-	-
Above 1 000.00	Not detected	-	-	-	-	-	-	-	-

High Band (3 700 ~ 3 980 MHz)

NR Band 77/78 (80 MHz - DFTS-OFDM QPSK)

Frequency (MHz)	Measured Level (dB μ V)	Ant. Pol.	AF (dB/m)	AMP+CL (dB)	E (dB μ V/m)	CF (dB)	E.I.R.P. (dB m)	Limit (dB m)	Margin (dB)
Low Channel (3 740.01 MHz)									
Below 1 000.00	Not detected	-	-	-	-	-	-	-	-
Above 1 000.00	Not detected	-	-	-	-	-	-	-	-
Middle Channel (3 840.00 MHz)									
Below 1 000.00	Not detected	-	-	-	-	-	-	-	-
Above 1 000.00	Not detected	-	-	-	-	-	-	-	-
High Channel (3 939.99 MHz)									
Below 1 000.00	Not detected	-	-	-	-	-	-	-	-
Above 1 000.00	Not detected	-	-	-	-	-	-	-	-

ENDC

Low Band (3 450 ~ 3 550 MHz)

7A-n77A (60 MHz - DFTS-OFDM BPSK)

Frequency (MHz)	Measured Level (dB μ V)	Ant. Pol.	AF (dB/m)	AMP+CL (dB)	E (dB μ V/m)	CF (dB)	E.I.R.P. (dB m)	Limit (dB m)	Margin (dB)
Low Channel (3 480.00 MHz)									
Below 1 000.00	Not detected	-	-	-	-	-	-	-	-
Above 1 000.00	Not detected	-	-	-	-	-	-	-	-
Middle Channel (3 500.01 MHz)									
Below 1 000.00	Not detected	-	-	-	-	-	-	-	-
Above 1 000.00	Not detected	-	-	-	-	-	-	-	-
High Channel (3 519.99 MHz)									
Below 1 000.00	Not detected	-	-	-	-	-	-	-	-
Above 1 000.00	Not detected	-	-	-	-	-	-	-	-

5A-n78A (20 MHz - DFTS-OFDM QPSK)

Frequency (MHz)	Measured Level (dB μ V)	Ant. Pol.	AF (dB/m)	AMP+CL (dB)	E (dB μ V/m)	CF (dB)	E.I.R.P. (dB m)	Limit (dB m)	Margin (dB)
Low Channel (3 460.02 MHz)									
Below 1 000.00	Not detected	-	-	-	-	-	-	-	-
Above 1 000.00	Not detected	-	-	-	-	-	-	-	-
Middle Channel (3 500.01 MHz)									
Below 1 000.00	Not detected	-	-	-	-	-	-	-	-
Above 1 000.00	Not detected	-	-	-	-	-	-	-	-
High Channel (3 540.00 MHz)									
Below 1 000.00	Not detected	-	-	-	-	-	-	-	-
Above 1 000.00	Not detected	-	-	-	-	-	-	-	-

High Band (3 700 ~ 3 980 MHz)

7A-n77A (40 MHz - DFTS-OFDM BPSK)

Frequency (MHz)	Measured Level (dB μ V)	Ant. Pol.	AF (dB/m)	AMP+CL (dB)	E (dB μ V/m)	CF (dB)	E.I.R.P. (dB m)	Limit (dB m)	Margin (dB)
Low Channel (3 720.00 MHz)									
Below 1 000.00	Not detected	-	-	-	-	-	-	-	-
Above 1 000.00	Not detected	-	-	-	-	-	-	-	-
Middle Channel (3 840.00 MHz)									
Below 1 000.00	Not detected	-	-	-	-	-	-	-	-
Above 1 000.00	Not detected	-	-	-	-	-	-	-	-
High Channel (3 960.00 MHz)									
Below 1 000.00	Not detected	-	-	-	-	-	-	-	-
Above 1 000.00	Not detected	-	-	-	-	-	-	-	-

5A-n78A (60 MHz - DFTS-OFDM BPSK)

Frequency (MHz)	Measured Level (dB μ V)	Ant. Pol.	AF (dB/m)	AMP+CL (dB)	E (dB μ V/m)	CF (dB)	E.I.R.P. (dB m)	Limit (dB m)	Margin (dB)
Low Channel (3 730.02 MHz)									
Below 1 000.00	Not detected	-	-	-	-	-	-	-	-
Above 1 000.00	Not detected	-	-	-	-	-	-	-	-
Middle Channel (3 840.00 MHz)									
Below 1 000.00	Not detected	-	-	-	-	-	-	-	-
Above 1 000.00	Not detected	-	-	-	-	-	-	-	-
High Channel (3 949.98 MHz)									
Below 1 000.00	Not detected	-	-	-	-	-	-	-	-
Above 1 000.00	Not detected	-	-	-	-	-	-	-	-

MIMO

Low Band (3 450 ~ 3 550 MHz)

NR Band 77/78 (90 MHz - CP-OFDM QPSK)

Frequency (MHz)	Measured Level (dB μ V)	Ant. Pol.	AF (dB/m)	AMP+CL (dB)	E (dB μ V/m)	CF (dB)	E.I.R.P. (dB m)	Limit (dB m)	Margin (dB)
Low Channel (3 495.00 MHz)									
Below 1 000.00	Not detected	-	-	-	-	-	-	-	-
Above 1 000.00	Not detected	-	-	-	-	-	-	-	-
Middle Channel (3 500.01 MHz)									
Below 1 000.00	Not detected	-	-	-	-	-	-	-	-
Above 1 000.00	Not detected	-	-	-	-	-	-	-	-
High Channel (3 504.99 MHz)									
Below 1 000.00	Not detected	-	-	-	-	-	-	-	-
Above 1 000.00	Not detected	-	-	-	-	-	-	-	-

High Band (3 700 ~ 3 980 MHz)

NR Band 77/78 (60 MHz - CP-OFDM QPSK)

Frequency (MHz)	Measured Level (dB μ V)	Ant. Pol.	AF (dB/m)	AMP+CL (dB)	E (dB μ V/m)	CF (dB)	E.I.R.P. (dB m)	Limit (dB m)	Margin (dB)
Low Channel (3 730.02 MHz)									
Below 1 000.00	Not detected	-	-	-	-	-	-	-	-
Above 1 000.00	Not detected	-	-	-	-	-	-	-	-
Middle Channel (3 840.00 MHz)									
Below 1 000.00	Not detected	-	-	-	-	-	-	-	-
Above 1 000.00	Not detected	-	-	-	-	-	-	-	-
High Channel (3 949.98 MHz)									
Below 1 000.00	Not detected	-	-	-	-	-	-	-	-
Above 1 000.00	Not detected	-	-	-	-	-	-	-	-

Remark;

1. AF = Antenna Factor, CL = Cable Loss, CF = Conversion Factor.
2. $E \text{ (dB}\mu\text{V/m)} = \text{Measured Level (dB}\mu\text{V)} + \text{Antenna Factor (dB/m)} + \text{AMP (dB)} + \text{Cable Loss (dB)}$.
3. $\text{E.I.R.P. (dB m)} = E \text{ (dB}\mu\text{V/m)} + \text{CF (dB)}$.
4. $\text{E.R.P. (dB m)} = E \text{ (dB}\mu\text{V/m)} + \text{CF (dB)} - 2.15 \text{ (dB)}$; where E.R.P. and E.I.R.P. are expressed in consistent units.
5. $\text{CF (dB)} = 20 \log D - 104.8$; where D is the measurement distance in meters, According to KDB 971168 D01 v03r01 5.8.4.
6. The frequency spectrum is examined from 9 kHz to the 10th harmonic of the fundamental frequency of the transmitter. No other spurious and harmonic emissions were reported greater than listed emissions above table.

3. Conducted Output Power

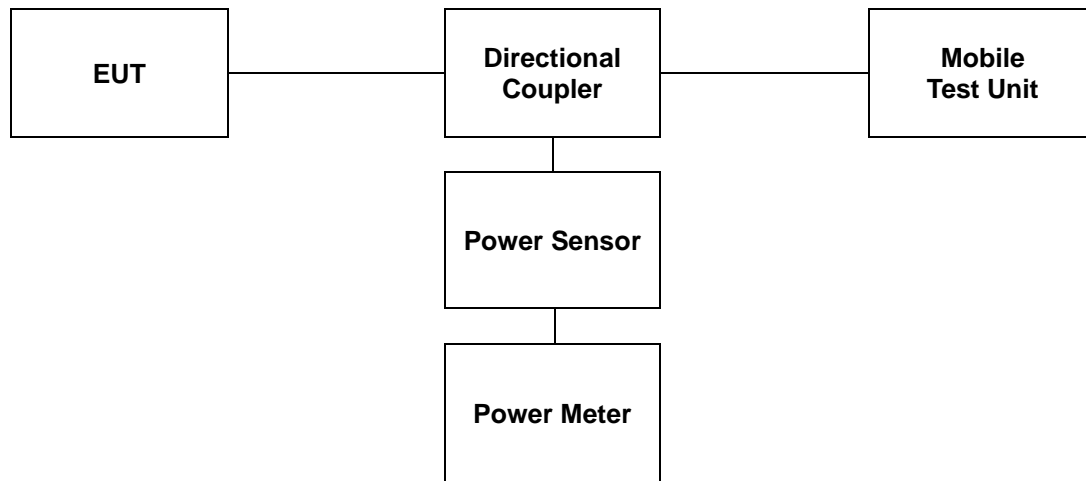
3.1. Limit

CFR 47, Section §2.1046.

3.2. Test Procedure

Output power shall be measured at the RF output terminals for all configurations.

1. The RF output of the transmitter was connected to the input of the mobile test unit in order to establish communication with the EUT.
2. The EUT was set up for the max. output power with pseudo random data modulation by using mobile test unit parameters.
3. The measurement performed using a wideband RF power meter.
4. This EUT was tested under all configurations and the highest power was investigated and reported.



3.3. Test Result

Ambient temperature : (23 ± 1) °C
 Relative humidity : 47 % R.H.

SISO

Low Band (3 450 ~ 3 550 MHz)

NR Band 77/78-Low Band										
BW (MHz)	SCS (kHz)	Modulation	RB Size	RB Offset	Conducted Output Power					
					630668 (3 460.02 MHz)		633340 (3 500.01 MHz)		636000 (3 540.00 MHz)	
					(dB m)	(W)	(dB m)	(W)	(dB m)	(W)
20	30	DFT-S-OFDM BPSK	1	1	24.82	0.303	24.79	0.301	24.85	0.305
			1	26	24.78	0.301	24.80	0.302	24.83	0.304
			1	49	24.73	0.297	24.70	0.295	24.88	0.308
			25	0	24.27	0.267	24.24	0.265	24.38	0.274
			25	13	24.77	0.300	24.77	0.300	24.80	0.302
			25	26	24.27	0.267	24.20	0.263	24.31	0.270
		50	0	24.35	0.272	24.24	0.265	24.37	0.274	
		DFT-S-OFDM QPSK	1	1	24.78	0.301	24.70	0.295	24.80	0.302
			1	26	24.89	0.308	24.85	0.305	24.77	0.300
			1	49	24.82	0.303	24.86	0.306	24.88	0.308
			25	0	23.95	0.248	23.64	0.231	23.73	0.236
			25	13	24.74	0.298	24.89	0.308	24.92	0.310
			25	26	23.90	0.245	23.85	0.243	23.76	0.238
		50	0	23.72	0.236	23.72	0.236	23.75	0.237	
		DFT-S-OFDM 16QAM	1	1	23.83	0.242	23.72	0.236	23.94	0.248
		DFT-S-OFDM 64QAM	1	1	22.41	0.174	22.30	0.170	22.43	0.175
		CP-OFDM QPSK	1	1	23.39	0.218	23.36	0.217	23.41	0.219
		CP-OFDM 16QAM	1	1	22.86	0.193	22.79	0.190	22.79	0.190
		CP-OFDM 64QAM	1	1	21.33	0.136	21.32	0.136	21.39	0.138

NR Band 77/78-Low Band													
BW (MHz)	SCS (kHz)	Modulation	RB Size	RB Offset	Conducted Output Power								
					631000 (3 465.00 MHz)		633340 (3 500.01 MHz)		635666 (3 534.99 MHz)				
					(dB m)	(W)	(dB m)	(W)	(dB m)	(W)			
30	30	DFT-S-OFDM BPSK	1	1	24.79	0.301	25.13	0.326	25.33	0.341			
			1	39	24.69	0.294	25.20	0.331	25.29	0.338			
			1	76	24.74	0.298	25.10	0.324	25.27	0.337			
			36	0	24.27	0.267	24.53	0.284	24.83	0.304			
			36	21	24.77	0.300	25.10	0.324	25.36	0.344			
			36	42	24.30	0.269	24.70	0.295	24.82	0.303			
		DFT-S-OFDM QPSK	75	0	24.20	0.263	24.66	0.292	24.81	0.303			
			1	1	24.70	0.295	25.13	0.326	25.25	0.335			
			1	39	24.86	0.306	25.20	0.331	25.27	0.337			
			1	76	24.84	0.305	25.19	0.330	25.25	0.335			
			36	0	23.77	0.238	24.28	0.268	24.40	0.275			
			36	21	24.88	0.308	25.04	0.319	25.30	0.339			
		DFT-S-OFDM 16QAM	36	42	23.70	0.234	24.05	0.254	24.27	0.267			
			75	0	23.86	0.243	24.25	0.266	24.23	0.265			
			1	1	23.80	0.240	24.17	0.261	24.24	0.265			
			1	1	22.34	0.171	22.55	0.180	22.80	0.191			
			1	1	23.27	0.212	23.59	0.229	23.75	0.237			
			1	1	22.74	0.188	23.16	0.207	23.34	0.216			
40	30	DFT-S-OFDM BPSK	1	1	21.29	0.135	21.62	0.145	21.89	0.155			
			NR Band 77/78-Low Band										
			BW (MHz)	SCS (kHz)	Modulation	RB Size	RB Offset	Conducted Output Power					
								631334 (3 470.01 MHz)		633340 (3 500.01 MHz)		635332 (3 529.98 MHz)	
								(dB m)	(W)	(dB m)	(W)	(dB m)	(W)
			40	30	DFT-S-OFDM BPSK	1	1	24.85	0.305	25.09	0.323	25.21	0.332
		1				53	24.83	0.304	25.10	0.324	25.22	0.333	
		1				104	24.83	0.304	25.04	0.319	25.26	0.336	
		50				0	24.33	0.271	24.62	0.290	24.61	0.289	
		50				28	24.78	0.301	25.08	0.322	25.11	0.324	
		50				56	24.26	0.267	24.53	0.284	24.64	0.291	
		DFT-S-OFDM QPSK			100	0	24.45	0.279	24.53	0.284	24.75	0.299	
					1	1	24.85	0.305	25.07	0.321	25.30	0.339	
					1	53	24.78	0.301	25.18	0.330	25.11	0.324	
					1	104	24.76	0.299	25.04	0.319	25.18	0.330	
					50	0	23.92	0.247	23.96	0.249	24.33	0.271	
					50	28	24.89	0.308	25.11	0.324	25.12	0.325	
		DFT-S-OFDM 16QAM			50	56	23.74	0.237	24.19	0.262	24.07	0.255	
100	0				23.93	0.247	23.94	0.248	24.20	0.263			
1	1				23.89	0.245	24.05	0.254	24.23	0.265			
1	1				22.33	0.171	22.65	0.184	22.81	0.191			
1	1				23.35	0.216	23.54	0.226	23.70	0.234			
1	1				22.86	0.193	23.13	0.206	23.28	0.213			
DFT-S-OFDM 64QAM	1	1	21.34	0.136	21.50	0.141	21.77	0.150					

NR Band 77/78-Low Band													
BW (MHz)	SCS (kHz)	Modulation	RB Size	RB Offset	Conducted Output Power								
					631668 (3 475.02 MHz)		633340 (3 500.01 MHz)		635000 (3 525.00 MHz)				
					(dB m)	(W)	(dB m)	(W)	(dB m)	(W)			
50	30	DFT-S-OFDM BPSK	1	1	24.60	0.288	24.99	0.316	24.98	0.315			
			1	67	24.68	0.294	24.94	0.312	24.96	0.313			
			1	131	24.67	0.293	25.01	0.317	24.89	0.308			
			64	0	24.02	0.252	24.39	0.275	24.42	0.277			
			64	35	24.51	0.282	25.07	0.321	24.97	0.314			
			64	69	24.20	0.263	24.42	0.277	24.51	0.282			
		DFT-S-OFDM QPSK	128	0	24.01	0.252	24.59	0.288	24.43	0.277			
			1	1	24.51	0.282	24.90	0.309	24.99	0.316			
			1	67	24.67	0.293	24.99	0.316	24.92	0.310			
			1	131	24.65	0.292	25.09	0.323	24.91	0.310			
			64	0	23.62	0.230	24.13	0.259	23.85	0.243			
			64	35	24.54	0.284	24.98	0.315	24.89	0.308			
		DFT-S-OFDM 16QAM	64	69	23.66	0.232	24.01	0.252	24.01	0.252			
			128	0	23.53	0.225	24.06	0.255	24.06	0.255			
			1	1	23.68	0.233	24.05	0.254	23.97	0.249			
			1	1	22.05	0.160	22.40	0.174	22.53	0.179			
			1	1	23.17	0.207	23.56	0.227	23.56	0.227			
			1	1	22.61	0.182	22.95	0.197	23.01	0.200			
60	30	DFT-S-OFDM BPSK	1	1	21.04	0.127	21.40	0.138	21.48	0.141			
			NR Band 77/78-Low Band										
			BW (MHz)	SCS (kHz)	Modulation	RB Size	RB Offset	Conducted Output Power					
								632000 (3 480.00 MHz)		633340 (3 500.01 MHz)		634666 (3 519.99 MHz)	
								(dB m)	(W)	(dB m)	(W)	(dB m)	(W)
			60	30	DFT-S-OFDM BPSK	1	1	24.69	0.294	24.94	0.312	24.93	0.311
		1				81	24.78	0.301	24.99	0.316	24.84	0.305	
		1				160	24.78	0.301	24.86	0.306	25.01	0.317	
		81				0	24.13	0.259	24.47	0.280	24.50	0.282	
		81				41	24.68	0.294	25.04	0.319	24.98	0.315	
		81				81	24.17	0.261	24.48	0.281	24.34	0.272	
		DFT-S-OFDM QPSK			162	0	24.11	0.258	24.48	0.281	24.35	0.272	
					1	1	24.69	0.294	25.01	0.317	24.89	0.308	
					1	81	24.68	0.294	25.04	0.319	24.97	0.314	
					1	160	24.62	0.290	24.94	0.312	25.03	0.318	
					81	0	23.74	0.237	23.87	0.244	23.88	0.244	
					81	41	24.70	0.295	24.99	0.316	24.96	0.313	
		DFT-S-OFDM 16QAM			81	81	23.58	0.228	23.88	0.244	23.80	0.240	
162	0				23.81	0.240	23.85	0.243	24.06	0.255			
1	1				23.72	0.236	23.96	0.249	24.01	0.252			
1	1				22.23	0.167	22.45	0.176	22.44	0.175			
1	1				23.15	0.207	23.39	0.218	23.51	0.224			
1	1				22.67	0.185	22.86	0.193	22.91	0.195			
DFT-S-OFDM 64QAM	1	1	21.10	0.129	21.47	0.140	21.49	0.141					
	1	1	21.10	0.129	21.47	0.140	21.49	0.141					

NR Band 77/78-Low Band										
BW (MHz)	SCS (kHz)	Modulation	RB Size	RB Offset	Conducted Output Power					
					632334 (3 485.01 MHz)		633340 (3 500.01 MHz)		634332 (3 514.98 MHz)	
					(dB m)	(W)	(dB m)	(W)	(dB m)	(W)
70	30	DFT-S-OFDM BPSK	1	1	24.64	0.291	24.79	0.301	24.89	0.308
			1	95	24.65	0.292	24.85	0.305	24.92	0.310
			1	187	24.57	0.286	24.83	0.304	24.80	0.302
			90	0	24.09	0.256	24.33	0.271	24.32	0.270
			90	50	24.61	0.289	24.70	0.295	24.94	0.312
			90	99	24.17	0.261	24.34	0.272	24.38	0.274
		DFT-S-OFDM QPSK	1	1	24.70	0.295	24.77	0.300	24.79	0.301
			1	95	24.60	0.288	24.78	0.301	24.81	0.303
			1	187	24.61	0.289	24.74	0.298	24.99	0.316
			90	0	23.52	0.225	23.77	0.238	23.91	0.246
			90	50	24.61	0.289	24.70	0.295	24.87	0.307
			90	99	23.70	0.234	23.88	0.244	23.99	0.251
		DFT-S-OFDM 16QAM	1	1	23.65	0.232	23.81	0.240	23.88	0.244
			1	1	22.23	0.167	22.21	0.166	22.46	0.176
			1	1	23.15	0.207	23.19	0.208	23.45	0.221
			1	1	22.70	0.186	22.69	0.186	22.88	0.194
			1	1	21.21	0.132	21.37	0.137	21.49	0.141
			1	1	21.21	0.132	21.37	0.137	21.49	0.141

NR Band 77/78-Low Band										
BW (MHz)	SCS (kHz)	Modulation	RB Size	RB Offset	Conducted Output Power					
					632668 (3 490.02 MHz)		633340 (3 500.01 MHz)		634000 (3 510.00 MHz)	
					(dB m)	(W)	(dB m)	(W)	(dB m)	(W)
80	30	DFT-S-OFDM BPSK	1	1	24.67	0.293	24.79	0.301	24.82	0.303
			1	109	24.65	0.292	24.79	0.301	24.89	0.308
			1	215	24.57	0.286	24.70	0.295	24.87	0.307
			108	0	24.14	0.259	24.31	0.270	24.24	0.265
			108	55	24.75	0.299	24.76	0.299	24.90	0.309
			108	109	24.17	0.261	24.25	0.266	24.36	0.273
		DFT-S-OFDM QPSK	216	0	24.18	0.262	24.38	0.274	24.37	0.274
			1	1	24.77	0.300	24.72	0.296	24.84	0.305
			1	109	24.74	0.298	24.75	0.299	25.37	0.344
			1	215	24.73	0.297	24.75	0.299	24.76	0.299
			108	0	23.58	0.228	23.72	0.236	23.73	0.236
			108	55	24.73	0.297	24.69	0.294	24.90	0.309
		DFT-S-OFDM 16QAM	108	109	23.80	0.240	23.93	0.247	23.82	0.241
			216	0	23.53	0.225	23.78	0.239	23.68	0.233
			1	1	23.72	0.236	23.78	0.239	23.72	0.236
			1	1	22.12	0.163	22.34	0.171	22.23	0.167
			1	1	23.13	0.206	23.31	0.214	23.41	0.219
			1	1	22.62	0.183	22.89	0.195	22.77	0.189
DFT-S-OFDM 64QAM	1	1	21.08	0.128	21.20	0.132	21.22	0.132		
	1	1	21.08	0.128	21.20	0.132	21.22	0.132		

NR Band 77/78-Low Band										
BW (MHz)	SCS (kHz)	Modulation	RB Size	RB Offset	Conducted Output Power					
					633000 (3 495.00 MHz)		633340 (3 500.01 MHz)		633666 (3 504.99 MHz)	
					(dB m)	(W)	(dB m)	(W)	(dB m)	(W)
90	30	DFT-S-OFDM BPSK	1	1	24.22	0.264	24.33	0.271	24.46	0.279
			1	123	24.26	0.267	24.36	0.273	24.47	0.280
			1	243	24.22	0.264	24.42	0.277	24.49	0.281
			120	0	23.72	0.236	23.90	0.245	23.94	0.248
			120	63	24.26	0.267	24.29	0.269	24.41	0.276
			120	125	23.66	0.232	23.90	0.245	23.95	0.248
		DFT-S-OFDM QPSK	243	0	23.65	0.232	23.88	0.244	24.02	0.252
			1	1	24.21	0.264	24.34	0.272	24.41	0.276
			1	123	24.30	0.269	24.38	0.274	24.45	0.279
			1	243	24.29	0.269	24.25	0.266	24.54	0.284
			120	0	23.09	0.204	23.37	0.217	23.48	0.223
			120	63	24.27	0.267	24.29	0.269	24.42	0.277
		DFT-S-OFDM 16QAM	120	125	23.18	0.208	23.38	0.218	23.31	0.214
			243	0	23.36	0.217	23.40	0.219	23.45	0.221
			1	1	23.22	0.210	23.39	0.218	23.37	0.217
			1	1	21.70	0.148	21.85	0.153	21.87	0.154
CP-OFDM QPSK	1	1	22.79	0.190	22.79	0.190	22.91	0.195		
	1	1	22.17	0.165	22.43	0.175	22.39	0.173		
CP-OFDM 16QAM	1	1	20.65	0.116	20.86	0.122	20.86	0.122		
CP-OFDM 64QAM	1	1	20.65	0.116	20.86	0.122	20.86	0.122		
NR Band 77/78-Low Band										
BW (MHz)	SCS (kHz)	Modulation	RB Size	RB Offset	Conducted Output Power					
					633340 (3 500.01 MHz)					
					(dB m)	(W)				
100	30	DFT-S-OFDM BPSK	1	1	-	-	24.34	0.272	-	-
			1	137	-	-	24.30	0.269	-	-
			1	271	-	-	24.30	0.269	-	-
			135	0	-	-	23.92	0.247	-	-
			135	69	-	-	24.40	0.275	-	-
			135	138	-	-	23.91	0.246	-	-
		DFT-S-OFDM QPSK	270	0	-	-	23.76	0.238	-	-
			1	1	-	-	24.42	0.277	-	-
			1	137	-	-	24.29	0.269	-	-
			1	271	-	-	24.34	0.272	-	-
			135	0	-	-	23.36	0.217	-	-
			135	69	-	-	24.27	0.267	-	-
		DFT-S-OFDM 16QAM	135	138	-	-	23.21	0.209	-	-
			270	0	-	-	23.26	0.212	-	-
			1	1	-	-	23.25	0.211	-	-
			1	1	-	-	21.88	0.154	-	-
CP-OFDM QPSK	1	1	-	-	22.83	0.192	-	-		
	1	1	-	-	22.34	0.171	-	-		
CP-OFDM 16QAM	1	1	-	-	20.74	0.119	-	-		
CP-OFDM 64QAM	1	1	-	-	20.74	0.119	-	-		

High Band (3 700 ~ 3 980 MHz)

NR Band 77/78-High Band										
BW (MHz)	SCS (kHz)	Modulation	RB Size	RB Offset	Conducted Output Power					
					647334 (3 710.01 MHz)		656000 (3 840.00 MHz)		664666 (3 969.99 MHz)	
					(dB m)	(W)	(dB m)	(W)	(dB m)	(W)
20	30	DFT-S-OFDM BPSK	1	1	24.65	0.292	24.65	0.292	24.28	0.268
			1	26	24.59	0.288	24.60	0.288	24.25	0.266
			1	49	24.72	0.296	24.65	0.292	24.38	0.274
			25	0	24.25	0.266	24.09	0.256	23.73	0.236
			25	13	24.55	0.285	24.60	0.288	24.35	0.272
			25	26	24.25	0.266	24.13	0.259	23.76	0.238
		50	0	24.22	0.264	24.06	0.255	23.88	0.244	
		DFT-S-OFDM QPSK	1	1	24.69	0.294	24.75	0.299	24.32	0.270
			1	26	24.61	0.289	24.66	0.292	24.19	0.262
			1	49	24.71	0.296	24.74	0.298	24.20	0.263
			25	0	23.72	0.236	23.57	0.228	23.13	0.206
			25	13	24.59	0.288	24.70	0.295	24.30	0.269
			25	26	23.63	0.231	23.65	0.232	23.39	0.218
		50	0	23.65	0.232	23.63	0.231	23.41	0.219	
		DFT-S-OFDM 16QAM	1	1	23.59	0.229	23.57	0.228	23.36	0.217
		DFT-S-OFDM 64QAM	1	1	22.19	0.166	22.21	0.166	21.68	0.147
CP-OFDM QPSK	1	1	23.12	0.205	23.10	0.204	22.73	0.187		
CP-OFDM 16QAM	1	1	22.71	0.187	22.73	0.187	22.19	0.166		
CP-OFDM 64QAM	1	1	21.18	0.131	21.05	0.127	20.84	0.121		

NR Band 77/78-High Band										
BW (MHz)	SCS (kHz)	Modulation	RB Size	RB Offset	Conducted Output Power					
					647668 (3 715.02 MHz)		656000 (3 840.00 MHz)		664332 (3 964.98 MHz)	
					(dB m)	(W)	(dB m)	(W)	(dB m)	(W)
30	30	DFT-S-OFDM BPSK	1	1	24.52	0.283	24.64	0.291	24.21	0.264
			1	39	24.43	0.277	24.58	0.287	24.20	0.263
			1	76	24.46	0.279	24.63	0.290	24.17	0.261
			36	0	24.02	0.252	24.04	0.254	23.74	0.237
			36	21	24.57	0.286	24.69	0.294	24.18	0.262
			36	42	23.97	0.249	24.18	0.262	23.65	0.232
		75	0	24.01	0.252	24.19	0.262	23.71	0.235	
		DFT-S-OFDM QPSK	1	1	24.60	0.288	24.74	0.298	24.15	0.260
			1	39	24.58	0.287	24.70	0.295	24.27	0.267
			1	76	24.52	0.283	24.56	0.286	24.27	0.267
			36	0	23.39	0.218	23.60	0.229	23.23	0.210
			36	21	24.47	0.280	24.57	0.286	24.31	0.270
			36	42	23.46	0.222	23.49	0.223	23.09	0.204
		75	0	23.49	0.223	23.71	0.235	23.07	0.203	
		DFT-S-OFDM 16QAM	1	1	23.44	0.221	23.64	0.231	23.29	0.213
		DFT-S-OFDM 64QAM	1	1	21.96	0.157	22.19	0.166	21.74	0.149
CP-OFDM QPSK	1	1	23.09	0.204	23.12	0.205	22.71	0.187		
CP-OFDM 16QAM	1	1	22.42	0.175	22.56	0.180	22.29	0.169		
CP-OFDM 64QAM	1	1	20.96	0.125	21.20	0.132	20.62	0.115		

NR Band 77/78-High Band										
BW (MHz)	SCS (kHz)	Modulation	RB Size	RB Offset	Conducted Output Power					
					648000 (3 720.00 MHz)		656000 (3 840.00 MHz)		664000 (3 960.00 MHz)	
					(dB m)	(W)	(dB m)	(W)	(dB m)	(W)
40	30	DFT-S-OFDM BPSK	1	1	24.63	0.290	24.70	0.295	24.12	0.258
			1	53	24.60	0.288	24.65	0.292	24.19	0.262
			1	104	24.67	0.293	24.64	0.291	24.18	0.262
			50	0	24.23	0.265	24.14	0.259	23.62	0.230
			50	28	24.60	0.288	24.74	0.298	24.06	0.255
			50	56	24.13	0.259	24.26	0.267	23.60	0.229
		100	0	24.14	0.259	24.25	0.266	23.52	0.225	
		DFT-S-OFDM QPSK	1	1	24.58	0.287	24.76	0.302	24.08	0.256
			1	53	24.56	0.286	24.79	0.301	24.22	0.264
			1	104	24.57	0.286	24.72	0.296	24.09	0.256
			50	0	23.49	0.223	23.76	0.238	22.99	0.199
			50	28	24.67	0.293	24.62	0.290	24.21	0.264
			50	56	23.50	0.224	23.67	0.233	23.09	0.204
		100	0	23.48	0.223	23.58	0.228	23.03	0.201	
		DFT-S-OFDM 16QAM	1	1	23.55	0.226	23.63	0.231	23.16	0.207
		DFT-S-OFDM 64QAM	1	1	22.17	0.165	22.16	0.164	21.55	0.143
		CP-OFDM QPSK	1	1	23.16	0.207	23.29	0.213	22.63	0.183
		CP-OFDM 16QAM	1	1	22.54	0.179	22.76	0.189	22.11	0.163
CP-OFDM 64QAM	1	1	21.17	0.131	21.17	0.131	20.61	0.115		
NR Band 77/78-High Band										
BW (MHz)	SCS (kHz)	Modulation	RB Size	RB Offset	Conducted Output Power					
					648334 (3 725.01 MHz)		656000 (3 840.00 MHz)		663666 (3 954.99 MHz)	
					(dB m)	(W)	(dB m)	(W)	(dB m)	(W)
50	30	DFT-S-OFDM BPSK	1	1	24.59	0.288	24.13	0.259	24.11	0.258
			1	67	24.53	0.284	24.18	0.262	24.16	0.261
			1	131	24.67	0.293	24.19	0.262	24.07	0.255
			64	0	24.17	0.261	23.55	0.226	23.56	0.227
			64	35	24.55	0.285	24.10	0.257	24.04	0.254
			64	69	24.00	0.251	23.57	0.228	23.66	0.232
		128	0	24.18	0.262	23.67	0.233	23.58	0.228	
		DFT-S-OFDM QPSK	1	1	24.53	0.284	24.05	0.254	24.02	0.252
			1	67	24.49	0.281	24.18	0.262	24.03	0.253
			1	131	24.66	0.292	24.10	0.257	24.16	0.261
			64	0	23.57	0.228	23.21	0.209	23.00	0.200
			64	35	24.65	0.292	24.17	0.261	24.07	0.255
			64	69	23.65	0.232	23.14	0.206	23.24	0.211
		128	0	23.69	0.234	23.01	0.200	22.96	0.198	
		DFT-S-OFDM 16QAM	1	1	23.49	0.223	23.14	0.206	23.05	0.202
		DFT-S-OFDM 64QAM	1	1	22.12	0.163	21.68	0.147	21.60	0.145
		CP-OFDM QPSK	1	1	23.10	0.204	22.53	0.179	22.70	0.186
		CP-OFDM 16QAM	1	1	22.69	0.186	22.16	0.164	22.02	0.159
CP-OFDM 64QAM	1	1	21.17	0.131	20.58	0.114	20.60	0.115		

NR Band 77/78-High Band										
BW (MHz)	SCS (kHz)	Modulation	RB Size	RB Offset	Conducted Output Power					
					648668 (3 730.02 MHz)		656000 (3 840.00 MHz)		663332 (3 949.98 MHz)	
					(dB m)	(W)	(dB m)	(W)	(dB m)	(W)
60	30	DFT-S-OFDM BPSK	1	1	24.68	0.294	24.33	0.271	24.65	0.292
			1	81	24.60	0.288	24.25	0.266	24.67	0.293
			1	160	24.62	0.290	24.42	0.277	24.73	0.297
			81	0	24.12	0.258	23.75	0.237	24.18	0.262
			81	41	24.64	0.291	24.23	0.265	24.68	0.294
			81	81	24.09	0.256	23.83	0.242	24.22	0.264
		DFT-S-OFDM QPSK	162	0	24.26	0.267	23.81	0.240	24.12	0.258
			1	1	24.76	0.299	24.34	0.272	24.60	0.288
			1	81	24.72	0.296	24.37	0.274	24.63	0.290
			1	160	24.58	0.287	24.25	0.266	24.62	0.290
			81	0	23.69	0.234	23.21	0.209	23.77	0.238
			81	41	24.73	0.297	24.37	0.274	24.62	0.290
		DFT-S-OFDM 16QAM	81	81	23.62	0.230	23.18	0.208	23.78	0.239
			162	0	23.59	0.229	23.43	0.220	23.50	0.224
		DFT-S-OFDM 64QAM	1	1	23.62	0.230	23.39	0.218	23.60	0.229
		DFT-S-OFDM 64QAM	1	1	22.15	0.164	21.84	0.153	22.12	0.163
		CP-OFDM QPSK	1	1	23.17	0.207	22.86	0.193	23.16	0.207
		CP-OFDM 16QAM	1	1	22.75	0.188	22.25	0.168	22.65	0.184
CP-OFDM 64QAM	1	1	21.15	0.130	20.83	0.121	21.12	0.129		
NR Band 77/78-High Band										
BW (MHz)	SCS (kHz)	Modulation	RB Size	RB Offset	Conducted Output Power					
					649000 (3 735.00 MHz)		656000 (3 840.00 MHz)		663000 (3 945.00 MHz)	
					(dB m)	(W)	(dB m)	(W)	(dB m)	(W)
70	30	DFT-S-OFDM BPSK	1	1	24.59	0.288	24.39	0.275	24.67	0.293
			1	95	24.61	0.289	24.33	0.271	24.66	0.292
			1	187	24.49	0.281	24.37	0.274	24.57	0.286
			90	0	24.18	0.262	23.98	0.250	24.07	0.255
			90	50	24.67	0.293	24.47	0.280	24.73	0.297
			90	99	24.06	0.255	23.83	0.242	24.13	0.259
		DFT-S-OFDM QPSK	180	0	24.18	0.262	23.95	0.248	24.12	0.258
			1	1	24.62	0.290	24.40	0.275	24.76	0.299
			1	95	24.52	0.283	24.45	0.279	24.62	0.290
			1	187	24.54	0.284	24.45	0.279	24.67	0.293
			90	0	23.63	0.231	23.31	0.214	23.56	0.227
			90	50	24.51	0.282	24.42	0.277	24.70	0.295
		DFT-S-OFDM 16QAM	90	99	23.65	0.232	23.32	0.215	23.64	0.231
			180	0	23.49	0.223	23.36	0.217	23.71	0.235
		DFT-S-OFDM 64QAM	1	1	23.61	0.230	23.49	0.223	23.73	0.236
		DFT-S-OFDM 64QAM	1	1	22.07	0.161	21.99	0.158	22.24	0.167
		CP-OFDM QPSK	1	1	23.08	0.203	22.93	0.196	23.10	0.204
		CP-OFDM 16QAM	1	1	22.66	0.185	22.32	0.171	22.63	0.183
CP-OFDM 64QAM	1	1	21.15	0.130	20.86	0.122	21.27	0.134		

NR Band 77/78-High Band										
BW (MHz)	SCS (kHz)	Modulation	RB Size	RB Offset	Conducted Output Power					
					649334 (3 740.01 MHz)		656000 (3 840.00 MHz)		662666 (3 939.99 MHz)	
					(dB m)	(W)	(dB m)	(W)	(dB m)	(W)
80	30	DFT-S-OFDM BPSK	1	1	24.64	0.291	24.18	0.262	24.03	0.253
			1	109	24.59	0.288	24.23	0.265	24.06	0.255
			1	215	24.70	0.295	24.26	0.267	24.09	0.256
			108	0	24.17	0.261	23.62	0.230	23.44	0.221
			108	55	24.72	0.296	24.26	0.267	24.04	0.254
			108	109	24.13	0.259	23.65	0.232	23.59	0.229
		216	0	24.24	0.265	23.67	0.233	23.44	0.221	
		DFT-S-OFDM QPSK	1	1	24.61	0.289	24.19	0.262	23.97	0.249
			1	109	24.66	0.292	24.20	0.263	24.06	0.255
			1	215	24.80	0.302	24.26	0.267	24.04	0.254
			108	0	23.60	0.229	23.26	0.212	22.95	0.197
			108	55	24.72	0.296	24.09	0.256	24.09	0.256
			108	109	23.53	0.225	23.27	0.212	23.15	0.207
		216	0	23.77	0.238	23.22	0.210	23.00	0.200	
		DFT-S-OFDM 16QAM	1	1	23.66	0.232	23.28	0.213	23.05	0.202
		DFT-S-OFDM 64QAM	1	1	22.24	0.167	21.62	0.145	21.49	0.141
		CP-OFDM QPSK	1	1	23.04	0.201	22.77	0.189	22.58	0.181
		CP-OFDM 16QAM	1	1	22.57	0.181	22.25	0.168	22.01	0.159
CP-OFDM 64QAM	1	1	21.19	0.132	20.61	0.115	20.61	0.115		
NR Band 77/78-High Band										
BW (MHz)	SCS (kHz)	Modulation	RB Size	RB Offset	Conducted Output Power					
					649668 (3 745.02 MHz)		656000 (3 840.00 MHz)		662332 (3 934.98 MHz)	
					(dB m)	(W)	(dB m)	(W)	(dB m)	(W)
90	30	DFT-S-OFDM BPSK	1	1	24.59	0.288	24.10	0.257	24.40	0.275
			1	123	24.49	0.281	24.17	0.261	24.41	0.276
			1	243	24.64	0.291	24.04	0.254	24.33	0.271
			120	0	24.11	0.258	23.61	0.230	23.91	0.246
			120	63	24.68	0.294	24.17	0.261	24.45	0.279
			120	125	24.01	0.252	23.56	0.227	23.96	0.249
		243	0	24.00	0.251	23.51	0.224	23.80	0.240	
		DFT-S-OFDM QPSK	1	1	24.60	0.288	24.10	0.257	24.49	0.281
			1	137	24.62	0.290	24.19	0.262	24.48	0.281
			1	271	24.63	0.290	24.17	0.261	24.35	0.272
			135	0	23.55	0.226	23.05	0.202	23.26	0.212
			135	69	24.66	0.292	24.18	0.262	24.42	0.277
			135	138	23.60	0.229	23.15	0.207	23.52	0.225
		270	0	23.48	0.223	23.20	0.209	23.51	0.224	
		DFT-S-OFDM 16QAM	1	1	23.63	0.231	23.00	0.200	23.36	0.217
		DFT-S-OFDM 64QAM	1	1	22.18	0.165	21.55	0.143	21.90	0.155
		CP-OFDM QPSK	1	1	22.99	0.199	22.58	0.181	22.95	0.197
		CP-OFDM 16QAM	1	1	22.64	0.184	22.11	0.163	22.35	0.172
CP-OFDM 64QAM	1	1	21.16	0.131	20.57	0.114	20.93	0.124		

NR Band 77/78-High Band										
BW (MHz)	SCS (kHz)	Modulation	RB Size	RB Offset	Conducted Output Power					
					650000 (3 750.00 MHz)		656000 (3 840.00 MHz)		662000 (3 930.00 MHz)	
					(dB m)	(W)	(dB m)	(W)	(dB m)	(W)
100	30	DFT-S-OFDM BPSK	1	1	24.62	0.290	24.15	0.260	24.39	0.275
			1	137	24.60	0.288	24.17	0.261	24.49	0.281
			1	271	24.58	0.287	24.25	0.266	24.44	0.278
			135	0	24.04	0.254	23.63	0.231	23.83	0.242
			135	69	24.68	0.294	24.05	0.254	24.29	0.269
			135	138	24.16	0.261	23.73	0.236	23.92	0.247
		270	0	24.20	0.263	23.72	0.236	23.86	0.243	
		DFT-S-OFDM QPSK	1	1	24.55	0.285	24.22	0.264	24.39	0.275
			1	137	24.65	0.292	24.24	0.265	24.31	0.270
			1	271	24.53	0.284	24.24	0.265	24.43	0.277
			135	0	23.64	0.231	23.06	0.202	23.42	0.220
			135	69	24.59	0.288	24.12	0.258	24.37	0.274
			135	138	23.58	0.228	23.15	0.207	23.32	0.215
		270	0	23.70	0.234	23.19	0.208	23.46	0.222	
		DFT-S-OFDM 16QAM	1	1	23.67	0.233	23.07	0.203	23.41	0.219
		DFT-S-OFDM 64QAM	1	1	22.05	0.160	21.68	0.147	21.92	0.156
		CP-OFDM QPSK	1	1	23.12	0.205	22.72	0.187	22.79	0.190
		CP-OFDM 16QAM	1	1	22.69	0.186	22.19	0.166	22.41	0.174
CP-OFDM 64QAM	1	1	21.16	0.131	20.56	0.114	20.93	0.124		

MIMO

Low Band (3 450 ~ 3 550 MHz)

NR Band 77/78-Low Band										
BW (MHz)	SCS (kHz)	Modulation	RB Size	RB Offset	Conducted Output Power					
					630668 (3 460.02 MHz)		633340 (3 500.01 MHz)		636000 (3 540.00 MHz)	
					Port 1 + Port 2					
					(dB m)	(W)	(dB m)	(W)	(dB m)	(W)
20	30	CP-OFDM QPSK	1	1	25.94	0.393	25.05	0.320	24.82	0.303
			1	26	25.08	0.322	25.78	0.378	25.72	0.373
			1	49	25.17	0.329	25.92	0.391	25.94	0.393
			50	0	24.97	0.314	24.99	0.316	25.05	0.320
		CP-OFDM 16QAM	1	1	24.50	0.282	24.32	0.270	24.60	0.288
CP-OFDM 64QAM	1	1	24.40	0.275	24.44	0.278	24.54	0.284		
NR Band 77/78-Low Band										
BW (MHz)	SCS (kHz)	Modulation	RB Size	RB Offset	Conducted Output Power					
					631000 (3 465.00 MHz)		633340 (3 500.01 MHz)		635666 (3 534.99 MHz)	
					Port 1 + Port 2					
					(dB m)	(W)	(dB m)	(W)	(dB m)	(W)
30	30	CP-OFDM QPSK	1	1	25.03	0.318	25.72	0.373	25.50	0.355
			1	39	25.50	0.355	25.66	0.368	25.73	0.374
			1	76	25.72	0.373	25.80	0.380	24.85	0.305
			75	0	24.89	0.308	25.00	0.316	24.99	0.316
		CP-OFDM 16QAM	1	1	24.16	0.261	24.24	0.265	24.68	0.294
CP-OFDM 64QAM	1	1	24.50	0.282	24.55	0.285	24.49	0.281		
NR Band 77/78-Low Band										
BW (MHz)	SCS (kHz)	Modulation	RB Size	RB Offset	Conducted Output Power					
					631334 (3 470.01 MHz)		633340 (3 500.01 MHz)		635332 (3 529.98 MHz)	
					Port 1 + Port 2					
					(dB m)	(W)	(dB m)	(W)	(dB m)	(W)
40	30	CP-OFDM QPSK	1	1	25.14	0.327	25.31	0.340	24.98	0.315
			1	53	25.73	0.374	25.43	0.349	25.92	0.391
			1	104	24.86	0.306	25.80	0.380	24.53	0.284
			100	0	24.95	0.313	24.93	0.311	25.01	0.317
		CP-OFDM 16QAM	1	1	24.48	0.281	24.36	0.273	24.55	0.285
CP-OFDM 64QAM	1	1	24.37	0.274	24.41	0.276	24.50	0.282		

NR Band 77/78-Low Band										
BW (MHz)	SCS (kHz)	Modulation	RB Size	RB Offset	Conducted Output Power					
					631668 (3 475.02 MHz)		633340 (3 500.01 MHz)		635000 (3 525.00 MHz)	
					Port 1 + Port 2					
					(dB m)	(W)	(dB m)	(W)	(dB m)	(W)
50	30	CP-OFDM QPSK	1	1	25.71	0.372	24.81	0.303	24.70	0.295
			1	67	24.91	0.310	25.65	0.367	25.92	0.391
			1	131	23.66	0.232	25.80	0.380	24.58	0.287
			128	0	24.79	0.301	24.80	0.302	24.88	0.308
		CP-OFDM 16QAM	1	1	24.32	0.270	24.21	0.264	24.44	0.278
CP-OFDM 64QAM	1	1	24.30	0.269	24.40	0.275	24.34	0.272		
NR Band 77/78-Low Band										
BW (MHz)	SCS (kHz)	Modulation	RB Size	RB Offset	Conducted Output Power					
					632000 (3 480.00 MHz)		633340 (3 500.01 MHz)		634666 (3 519.99 MHz)	
					Port 1 + Port 2					
					(dB m)	(W)	(dB m)	(W)	(dB m)	(W)
60	30	CP-OFDM QPSK	1	1	25.18	0.330	25.63	0.366	25.60	0.363
			1	81	25.12	0.325	24.89	0.308	25.21	0.332
			1	160	25.50	0.355	25.93	0.392	24.98	0.315
			162	0	25.44	0.350	25.39	0.346	25.44	0.350
		CP-OFDM 16QAM	1	1	24.78	0.301	25.60	0.363	24.92	0.310
CP-OFDM 64QAM	1	1	24.88	0.308	24.78	0.301	25.10	0.324		
NR Band 77/78-Low Band										
BW (MHz)	SCS (kHz)	Modulation	RB Size	RB Offset	Conducted Output Power					
					632334 (3 485.01 MHz)		633340 (3 500.01 MHz)		634332 (3 514.98 MHz)	
					Port 1 + Port 2					
					(dB m)	(W)	(dB m)	(W)	(dB m)	(W)
70	30	CP-OFDM QPSK	1	1	25.65	0.367	25.66	0.368	25.88	0.387
			1	95	25.63	0.366	25.89	0.388	25.60	0.363
			1	187	25.44	0.350	25.11	0.324	25.19	0.330
			180	0	25.26	0.336	25.16	0.328	25.33	0.341
		CP-OFDM 16QAM	1	1	24.99	0.316	25.10	0.324	24.91	0.310
CP-OFDM 64QAM	1	1	24.90	0.309	24.98	0.315	24.89	0.308		
NR Band 77/78-Low Band										
BW (MHz)	SCS (kHz)	Modulation	RB Size	RB Offset	Conducted Output Power					
					632668 (3 490.02 MHz)		633340 (3 500.01 MHz)		634000 (3 510.00 MHz)	
					Port 1 + Port 2					
					(dB m)	(W)	(dB m)	(W)	(dB m)	(W)
80	30	CP-OFDM QPSK	1	1	24.96	0.313	24.61	0.289	25.80	0.380
			1	109	25.02	0.318	25.14	0.327	25.92	0.391
			1	215	25.31	0.340	25.80	0.380	25.13	0.326
			216	0	24.89	0.308	24.90	0.309	24.94	0.312
		CP-OFDM 16QAM	1	1	24.65	0.292	23.55	0.226	24.42	0.277
CP-OFDM 64QAM	1	1	24.53	0.284	24.61	0.289	24.45	0.279		

NR Band 77/78-Low Band										
BW (MHz)	SCS (kHz)	Modulation	RB Size	RB Offset	Conducted Output Power					
					633000 (3 495.00 MHz)		633340 (3 500.01 MHz)		633666 (3 504.99 MHz)	
					Port 1 + Port 2					
					(dB m)	(W)	(dB m)	(W)	(dB m)	(W)
90	30	CP-OFDM QPSK	1	1	24.57	0.286	24.89	0.308	25.33	0.341
			1	123	25.80	0.380	25.96	0.394	25.92	0.391
			1	243	24.99	0.316	25.80	0.380	25.37	0.344
			243	0	24.89	0.308	24.93	0.311	24.95	0.313
		CP-OFDM 16QAM	1	1	24.53	0.284	24.58	0.287	25.14	0.327
		CP-OFDM 64QAM	1	1	24.65	0.292	24.44	0.278	24.51	0.282
NR Band 77/78-Low Band										
BW (MHz)	SCS (kHz)	Modulation	RB Size	RB Offset	Conducted Output Power					
					633340 (3 500.01 MHz)					
					Port 1 + Port 2					
					(dB m)	(W)	(dB m)	(W)	(dB m)	(W)
100	30	CP-OFDM QPSK	1	1	-	-	25.16	0.328	-	-
			1	137	-	-	24.88	0.308	-	-
			1	271	-	-	25.95	0.394	-	-
			270	0	-	-	25.41	0.348	-	-
		CP-OFDM 16QAM	1	1	-	-	25.23	0.333	-	-
		CP-OFDM 64QAM	1	1	-	-	25.16	0.328	-	-

High Band (3 700 ~ 3 980 MHz)

NR Band 77/78-High Band										
BW (MHz)	SCS (kHz)	Modulation	RB Size	RB Offset	Conducted Output Power					
					647334 (3 710.01 MHz)		656000 (3 840.00 MHz)		664666 (3 969.99 MHz)	
					Port 1 + Port 2					
					(dB m)	(W)	(dB m)	(W)	(dB m)	(W)
20	30	CP-OFDM QPSK	1	1	24.14	0.259	25.80	0.380	25.95	0.394
			1	26	24.33	0.271	25.73	0.374	25.86	0.385
			1	49	25.18	0.330	25.69	0.371	25.67	0.369
			50	0	25.56	0.360	25.70	0.372	25.69	0.371
		CP-OFDM 16QAM	1	1	24.78	0.301	24.45	0.279	25.11	0.324
		CP-OFDM 64QAM	1	1	25.08	0.322	24.91	0.310	25.01	0.317
NR Band 77/78-High Band										
BW (MHz)	SCS (kHz)	Modulation	RB Size	RB Offset	Conducted Output Power					
					647668 (3 715.02 MHz)		656000 (3 840.00 MHz)		664332 (3 964.98 MHz)	
					Port 1 + Port 2					
					(dB m)	(W)	(dB m)	(W)	(dB m)	(W)
30	30	CP-OFDM QPSK	1	1	25.44	0.350	25.83	0.383	25.19	0.330
			1	39	24.65	0.292	25.81	0.381	25.87	0.386
			1	76	24.66	0.292	25.93	0.392	24.90	0.309
			75	0	25.51	0.356	25.73	0.374	25.65	0.367
		CP-OFDM 16QAM	1	1	24.63	0.290	25.26	0.336	24.71	0.296
		CP-OFDM 64QAM	1	1	24.97	0.314	24.88	0.308	25.13	0.326
NR Band 77/78-High Band										
BW (MHz)	SCS (kHz)	Modulation	RB Size	RB Offset	Conducted Output Power					
					648000 (3 720.00 MHz)		656000 (3 840.00 MHz)		664000 (3 960.00 MHz)	
					Port 1 + Port 2					
					(dB m)	(W)	(dB m)	(W)	(dB m)	(W)
40	30	CP-OFDM QPSK	1	1	24.54	0.284	24.87	0.307	25.85	0.385
			1	53	25.80	0.380	25.90	0.389	25.81	0.381
			1	104	25.78	0.378	25.92	0.391	25.11	0.324
			100	0	25.50	0.355	25.77	0.378	25.74	0.375
		CP-OFDM 16QAM	1	1	25.15	0.327	24.94	0.312	25.21	0.332
		CP-OFDM 64QAM	1	1	25.06	0.321	25.19	0.330	25.04	0.319

NR Band 77/78-High Band										
BW (MHz)	SCS (kHz)	Modulation	RB Size	RB Offset	Conducted Output Power					
					648334 (3 725.01 MHz)		656000 (3 840.00 MHz)		663666 (3 954.99 MHz)	
					Port 1 + Port 2					
					(dB m)	(W)	(dB m)	(W)	(dB m)	(W)
50	30	CP-OFDM QPSK	1	1	24.79	0.301	25.90	0.389	25.93	0.392
			1	67	25.44	0.350	25.91	0.390	25.80	0.380
			1	131	25.41	0.348	25.84	0.384	25.51	0.356
			128	0	25.43	0.349	25.67	0.369	25.56	0.360
		CP-OFDM 16QAM	1	1	24.83	0.304	24.95	0.313	24.79	0.301
CP-OFDM 64QAM	1	1	24.86	0.306	24.90	0.309	24.91	0.310		
NR Band 77/78-High Band										
BW (MHz)	SCS (kHz)	Modulation	RB Size	RB Offset	Conducted Output Power					
					648668 (3 730.02 MHz)		656000 (3 840.00 MHz)		663332 (3 949.98 MHz)	
					Port 1 + Port 2					
					(dB m)	(W)	(dB m)	(W)	(dB m)	(W)
60	30	CP-OFDM QPSK	1	1	24.84	0.305	25.89	0.388	25.13	0.326
			1	81	25.89	0.388	25.97	0.395	25.35	0.343
			1	160	24.54	0.284	25.57	0.361	25.11	0.324
			162	0	25.46	0.352	25.73	0.374	25.75	0.376
		CP-OFDM 16QAM	1	1	24.64	0.291	24.88	0.308	25.22	0.333
CP-OFDM 64QAM	1	1	24.97	0.314	24.90	0.309	24.90	0.309		
NR Band 77/78-High Band										
BW (MHz)	SCS (kHz)	Modulation	RB Size	RB Offset	Conducted Output Power					
					649000 (3 735.00 MHz)		656000 (3 840.00 MHz)		663000 (3 945.00 MHz)	
					Port 1 + Port 2					
					(dB m)	(W)	(dB m)	(W)	(dB m)	(W)
70	30	CP-OFDM QPSK	1	1	25.16	0.328	25.55	0.359	25.16	0.328
			1	95	25.88	0.387	25.85	0.385	25.55	0.359
			1	187	25.49	0.354	25.16	0.328	25.19	0.330
			180	0	25.13	0.326	25.01	0.317	25.49	0.354
		CP-OFDM 16QAM	1	1	24.89	0.308	24.87	0.307	25.01	0.317
CP-OFDM 64QAM	1	1	24.88	0.308	24.95	0.313	25.00	0.316		
NR Band 77/78-High Band										
BW (MHz)	SCS (kHz)	Modulation	RB Size	RB Offset	Conducted Output Power					
					649334 (3 740.01 MHz)		656000 (3 840.00 MHz)		662666 (3 939.99 MHz)	
					Port 1 + Port 2					
					(dB m)	(W)	(dB m)	(W)	(dB m)	(W)
80	30	CP-OFDM QPSK	1	1	25.00	0.316	25.68	0.370	25.59	0.362
			1	109	25.91	0.390	25.95	0.394	25.47	0.352
			1	215	25.73	0.374	25.41	0.348	25.10	0.324
			216	0	25.42	0.348	25.73	0.374	25.77	0.378
		CP-OFDM 16QAM	1	1	25.04	0.319	24.68	0.294	24.86	0.306
CP-OFDM 64QAM	1	1	24.98	0.315	24.82	0.303	24.94	0.312		

NR Band 77/78-High Band										
BW (MHz)	SCS (kHz)	Modulation	RB Size	RB Offset	Conducted Output Power					
					649668 (3 745.02 MHz)		656000 (3 840.00 MHz)		662332 (3 934.98 MHz)	
					Port 1 + Port 2					
					(dB m)	(W)	(dB m)	(W)	(dB m)	(W)
90	30	CP-OFDM QPSK	1	1	25.74	0.375	25.75	0.376	25.84	0.384
			1	123	25.96	0.394	24.98	0.315	25.50	0.355
			1	243	25.85	0.385	25.93	0.392	25.18	0.330
			243	0	25.42	0.348	25.72	0.373	25.74	0.375
		CP-OFDM 16QAM	1	1	24.92	0.310	24.81	0.303	24.93	0.311
		CP-OFDM 64QAM	1	1	24.78	0.301	24.84	0.305	24.81	0.303
		NR Band 77/78-High Band								
BW (MHz)	SCS (kHz)	Modulation	RB Size	RB Offset	Conducted Output Power					
					650000 (3 750.00 MHz)		656000 (3 840.00 MHz)		662000 (3 930.00 MHz)	
					Port 1 + Port 2					
					(dB m)	(W)	(dB m)	(W)	(dB m)	(W)
100	30	CP-OFDM QPSK	1	1	24.93	0.311	25.80	0.380	25.95	0.394
			1	137	25.67	0.369	25.95	0.394	25.83	0.383
			1	271	25.30	0.339	25.56	0.360	25.53	0.357
			270	0	25.37	0.344	25.72	0.373	25.80	0.380
		CP-OFDM 16QAM	1	1	24.74	0.298	24.75	0.299	24.96	0.313
		CP-OFDM 64QAM	1	1	24.80	0.302	24.83	0.304	24.89	0.308

ENDC

Low Band (3 450 ~ 3 550 MHz)

7A-n77A-Low Band										
BW (MHz)	SCS (kHz)	Modulation	RB Size	RB Offset	Conducted Output Power					
					630668 (3 460.02 MHz)		633340 (3 500.01 MHz)		636000 (3 540.00 MHz)	
					(dB m)	(W)	(dB m)	(W)	(dB m)	(W)
20	30	DFT-S-OFDM BPSK	1	1	23.93	0.247	23.42	0.220	23.41	0.219
			1	26	23.32	0.215	23.76	0.238	23.54	0.226
			1	49	23.45	0.221	23.97	0.249	23.46	0.222
		DFT-S-OFDM QPSK	1	1	23.75	0.237	23.29	0.213	23.74	0.237
			1	26	23.34	0.216	23.49	0.223	23.31	0.214
			1	49	23.96	0.249	23.77	0.238	24.02	0.252
7A-n77A-Low Band										
BW (MHz)	SCS (kHz)	Modulation	RB Size	RB Offset	Conducted Output Power					
					631000 (3 465.00 MHz)		633340 (3 500.01 MHz)		635666 (3 534.99 MHz)	
					(dB m)	(W)	(dB m)	(W)	(dB m)	(W)
30	30	DFT-S-OFDM BPSK	1	1	23.99	0.251	23.78	0.239	24.17	0.261
			1	39	23.82	0.241	23.58	0.228	23.65	0.232
			1	76	24.25	0.266	24.02	0.252	24.10	0.257
		DFT-S-OFDM QPSK	1	1	24.28	0.268	23.94	0.248	23.90	0.245
			1	39	23.50	0.224	23.94	0.248	23.60	0.229
			1	76	23.82	0.241	24.25	0.266	24.06	0.255
7A-n77A-Low Band										
BW (MHz)	SCS (kHz)	Modulation	RB Size	RB Offset	Conducted Output Power					
					631334 (3 470.01 MHz)		633340 (3 500.01 MHz)		635332 (3 529.98 MHz)	
					(dB m)	(W)	(dB m)	(W)	(dB m)	(W)
40	30	DFT-S-OFDM BPSK	1	1	24.26	0.267	23.55	0.226	23.79	0.239
			1	53	23.87	0.244	23.93	0.247	24.21	0.264
			1	104	23.93	0.247	23.58	0.228	23.64	0.231
		DFT-S-OFDM QPSK	1	1	24.03	0.253	23.61	0.230	23.51	0.224
			1	53	24.13	0.259	23.65	0.232	23.77	0.238
			1	104	23.59	0.229	23.68	0.233	24.03	0.253
7A-n77A-Low Band										
BW (MHz)	SCS (kHz)	Modulation	RB Size	RB Offset	Conducted Output Power					
					631668 (3 475.02 MHz)		633340 (3 500.01 MHz)		635000 (3 525.00 MHz)	
					(dB m)	(W)	(dB m)	(W)	(dB m)	(W)
50	30	DFT-S-OFDM BPSK	1	1	23.66	0.232	23.56	0.227	23.70	0.234
			1	67	23.66	0.232	24.62	0.290	23.73	0.236
			1	131	23.54	0.226	24.62	0.290	23.80	0.240
		DFT-S-OFDM QPSK	1	1	24.00	0.251	23.53	0.225	23.67	0.233
			1	67	23.31	0.214	24.50	0.282	23.80	0.240
			1	131	23.51	0.224	24.57	0.286	23.82	0.241
7A-n77A-Low Band										
BW (MHz)	SCS (kHz)	Modulation	RB Size	RB Offset	Conducted Output Power					
					632000 (3 480.00 MHz)		633340 (3 500.01 MHz)		634666 (3 519.99 MHz)	
					(dB m)	(W)	(dB m)	(W)	(dB m)	(W)
60	30	DFT-S-OFDM BPSK	1	1	23.63	0.231	23.92	0.247	24.12	0.258
			1	81	23.73	0.236	24.83	0.304	24.83	0.304
			1	160	23.68	0.233	24.60	0.288	24.72	0.296
		DFT-S-OFDM QPSK	1	1	23.72	0.236	23.88	0.244	24.08	0.256
			1	81	24.25	0.266	24.77	0.300	24.75	0.299
			1	160	23.71	0.235	24.55	0.285	24.62	0.290

7A-n77A-Low Band										
BW (MHz)	SCS (kHz)	Modulation	RB Size	RB Offset	Conducted Output Power					
					632334 (3 485.01 MHz)		633340 (3 500.01 MHz)		634332 (3 514.98 MHz)	
					(dB m)	(W)	(dB m)	(W)	(dB m)	(W)
70	30	DFT-S-OFDM BPSK	1	1	24.08	0.256	23.41	0.219	23.91	0.246
			1	95	24.23	0.265	24.15	0.260	23.83	0.242
			1	187	24.31	0.270	23.86	0.243	24.23	0.265
		DFT-S-OFDM QPSK	1	1	23.77	0.238	23.71	0.235	23.83	0.242
			1	95	24.19	0.262	23.69	0.234	24.00	0.251
			1	187	24.33	0.271	24.05	0.254	24.21	0.264
7A-n77A-Low Band										
BW (MHz)	SCS (kHz)	Modulation	RB Size	RB Offset	Conducted Output Power					
					632668 (3 490.02 MHz)		633340 (3 500.01 MHz)		634000 (3 510.00 MHz)	
					(dB m)	(W)	(dB m)	(W)	(dB m)	(W)
80	30	DFT-S-OFDM BPSK	1	1	23.69	0.234	24.08	0.256	24.32	0.270
			1	109	23.59	0.229	24.03	0.253	24.21	0.264
			1	215	23.61	0.230	23.85	0.243	23.88	0.244
		DFT-S-OFDM QPSK	1	1	23.83	0.242	24.03	0.253	23.87	0.244
			1	109	23.50	0.224	24.20	0.263	24.29	0.269
			1	215	24.13	0.259	24.47	0.280	24.53	0.284
7A-n77A-Low Band										
BW (MHz)	SCS (kHz)	Modulation	RB Size	RB Offset	Conducted Output Power					
					633000 (3 495.00 MHz)		633340 (3 500.01 MHz)		633666 (3 504.99 MHz)	
					(dB m)	(W)	(dB m)	(W)	(dB m)	(W)
90	30	DFT-S-OFDM BPSK	1	1	24.31	0.270	24.20	0.263	24.11	0.258
			1	123	24.15	0.260	23.73	0.236	23.71	0.235
			1	243	23.93	0.247	23.81	0.240	23.59	0.229
		DFT-S-OFDM QPSK	1	1	24.31	0.270	24.19	0.262	23.87	0.244
			1	123	23.95	0.248	23.70	0.234	24.24	0.265
			1	243	24.36	0.273	23.73	0.236	23.88	0.244
7A-n77A-Low Band										
BW (MHz)	SCS (kHz)	Modulation	RB Size	RB Offset	Conducted Output Power					
					633340 (3 500.01 MHz)					
					(dB m)	(W)	(dB m)	(W)	(dB m)	(W)
100	30	DFT-S-OFDM BPSK	1	1	-	-	24.46	0.279	-	-
			1	137	-	-	24.46	0.279	-	-
			1	271	-	-	24.31	0.270	-	-
		DFT-S-OFDM QPSK	1	1	-	-	24.34	0.272	-	-
			1	137	-	-	24.13	0.259	-	-
			1	271	-	-	24.30	0.269	-	-

High Band (3 700 ~ 3 980 MHz)

7A-n77A-High Band										
BW (MHz)	SCS (kHz)	Modulation	RB Size	RB Offset	Conducted Output Power					
					647334 (3 710.01 MHz)		656000 (3 840.00 MHz)		664666 (3 969.99 MHz)	
					(dB m)	(W)	(dB m)	(W)	(dB m)	(W)
20	30	DFT-S-OFDM BPSK	1	1	23.71	0.235	24.81	0.303	23.96	0.249
			1	26	23.98	0.250	24.70	0.295	23.92	0.247
			1	49	24.61	0.289	24.48	0.281	24.32	0.270
		DFT-S-OFDM QPSK	1	1	23.73	0.236	24.71	0.296	24.08	0.256
			1	26	23.93	0.247	24.65	0.292	24.15	0.260
			1	49	24.54	0.284	24.52	0.283	23.91	0.246
7A-n77A-High Band										
BW (MHz)	SCS (kHz)	Modulation	RB Size	RB Offset	Conducted Output Power					
					647668 (3 715.02 MHz)		656000 (3 840.00 MHz)		664332 (3 964.98 MHz)	
					(dB m)	(W)	(dB m)	(W)	(dB m)	(W)
30	30	DFT-S-OFDM BPSK	1	1	23.64	0.231	24.53	0.284	23.59	0.229
			1	39	24.29	0.269	24.80	0.302	24.01	0.252
			1	76	24.75	0.299	24.37	0.274	24.07	0.255
		DFT-S-OFDM QPSK	1	1	23.62	0.230	24.50	0.282	23.54	0.226
			1	39	24.26	0.267	24.77	0.300	23.93	0.247
			1	76	24.75	0.299	24.36	0.273	24.37	0.274
7A-n77A-High Band										
BW (MHz)	SCS (kHz)	Modulation	RB Size	RB Offset	Conducted Output Power					
					648000 (3 720.00 MHz)		656000 (3 840.00 MHz)		664000 (3 960.00 MHz)	
					(dB m)	(W)	(dB m)	(W)	(dB m)	(W)
40	30	DFT-S-OFDM BPSK	1	1	23.89	0.245	24.22	0.264	24.02	0.252
			1	53	24.72	0.296	24.82	0.303	23.75	0.237
			1	104	24.45	0.279	24.28	0.268	25.07	0.321
		DFT-S-OFDM QPSK	1	1	23.86	0.243	24.22	0.264	23.99	0.251
			1	53	24.67	0.293	24.76	0.299	23.74	0.237
			1	104	24.42	0.277	24.22	0.264	25.04	0.319
7A-n77A-High Band										
BW (MHz)	SCS (kHz)	Modulation	RB Size	RB Offset	Conducted Output Power					
					648334 (3 725.01 MHz)		656000 (3 840.00 MHz)		663666 (3 954.99 MHz)	
					(dB m)	(W)	(dB m)	(W)	(dB m)	(W)
50	30	DFT-S-OFDM BPSK	1	1	23.61	0.230	23.60	0.229	24.86	0.306
			1	67	24.73	0.297	24.74	0.298	23.58	0.228
			1	131	23.36	0.217	24.22	0.264	24.82	0.303
		DFT-S-OFDM QPSK	1	1	23.57	0.228	23.59	0.229	24.80	0.302
			1	67	24.66	0.292	24.69	0.294	23.56	0.227
			1	131	23.32	0.215	24.20	0.263	24.76	0.299
7A-n77A-High Band										
BW (MHz)	SCS (kHz)	Modulation	RB Size	RB Offset	Conducted Output Power					
					648668 (3 730.02 MHz)		656000 (3 840.00 MHz)		663332 (3 949.98 MHz)	
					(dB m)	(W)	(dB m)	(W)	(dB m)	(W)
60	30	DFT-S-OFDM BPSK	1	1	24.97	0.314	23.93	0.247	24.17	0.261
			1	81	23.74	0.237	24.83	0.304	24.88	0.308
			1	160	24.75	0.299	24.65	0.292	24.69	0.294
		DFT-S-OFDM QPSK	1	1	24.96	0.313	23.83	0.242	24.08	0.256
			1	81	23.65	0.232	24.76	0.299	24.80	0.302
			1	160	24.98	0.315	24.60	0.288	24.58	0.287

7A-n77A-High Band										
BW (MHz)	SCS (kHz)	Modulation	RB Size	RB Offset	Conducted Output Power					
					649000 (3 735.00 MHz)		656000 (3 840.00 MHz)		663000 (3 945.00 MHz)	
					(dB m)	(W)	(dB m)	(W)	(dB m)	(W)
70	30	DFT-S-OFDM BPSK	1	1	24.49	0.281	24.06	0.255	24.14	0.259
			1	95	24.36	0.273	24.18	0.262	24.35	0.272
			1	187	24.44	0.278	24.14	0.259	24.18	0.262
		DFT-S-OFDM QPSK	1	1	23.89	0.245	24.37	0.274	24.37	0.274
			1	95	24.52	0.283	24.73	0.297	24.09	0.256
			1	187	24.10	0.257	24.37	0.274	23.98	0.250
7A-n77A-High Band										
BW (MHz)	SCS (kHz)	Modulation	RB Size	RB Offset	Conducted Output Power					
					649334 (3 740.01 MHz)		656000 (3 840.00 MHz)		662666 (3 939.99 MHz)	
					(dB m)	(W)	(dB m)	(W)	(dB m)	(W)
80	30	DFT-S-OFDM BPSK	1	1	24.12	0.258	24.81	0.303	24.04	0.254
			1	109	24.19	0.262	24.79	0.301	24.57	0.286
			1	215	24.65	0.292	24.51	0.282	24.67	0.293
		DFT-S-OFDM QPSK	1	1	24.57	0.286	24.73	0.297	23.88	0.244
			1	109	24.10	0.257	24.72	0.296	24.96	0.313
			1	215	24.58	0.287	24.46	0.279	24.59	0.288
7A-n77A-High Band										
BW (MHz)	SCS (kHz)	Modulation	RB Size	RB Offset	Conducted Output Power					
					649668 (3 745.02 MHz)		656000 (3 840.00 MHz)		662332 (3 934.98 MHz)	
					(dB m)	(W)	(dB m)	(W)	(dB m)	(W)
90	30	DFT-S-OFDM BPSK	1	1	24.88	0.308	24.65	0.292	24.83	0.304
			1	123	24.33	0.271	24.77	0.300	24.81	0.303
			1	243	24.52	0.283	24.57	0.286	24.67	0.293
		DFT-S-OFDM QPSK	1	1	24.44	0.278	24.86	0.306	24.73	0.297
			1	123	24.30	0.269	24.71	0.296	24.58	0.287
			1	243	24.47	0.280	24.51	0.282	24.54	0.284
7A-n77A-High Band										
BW (MHz)	SCS (kHz)	Modulation	RB Size	RB Offset	Conducted Output Power					
					650000 (3 750.00 MHz)		656000 (3 840.00 MHz)		662000 (3 930.00 MHz)	
					(dB m)	(W)	(dB m)	(W)	(dB m)	(W)
100	30	DFT-S-OFDM BPSK	1	1	24.31	0.270	24.22	0.264	24.07	0.255
			1	137	23.97	0.249	24.97	0.314	24.37	0.274
			1	271	24.11	0.258	24.66	0.292	23.93	0.247
		DFT-S-OFDM QPSK	1	1	24.42	0.277	24.55	0.285	24.68	0.294
			1	137	24.47	0.280	24.29	0.269	24.69	0.294
			1	271	24.34	0.272	24.82	0.303	24.33	0.271

Low Band (3 450 ~ 3 550 MHz)

2A-n78A-Low Band										
BW (MHz)	SCS (kHz)	Modulation	RB Size	RB Offset	Conducted Output Power					
					630668 (3 460.02 MHz)		633340 (3 500.01 MHz)		636000 (3 540.00 MHz)	
					(dB m)	(W)	(dB m)	(W)	(dB m)	(W)
20	30	DFT-S-OFDM BPSK	1	1	23.03	0.201	23.11	0.205	24.03	0.253
			1	26	23.00	0.200	23.24	0.211	24.04	0.254
			1	49	23.29	0.213	23.47	0.222	24.23	0.265
		DFT-S-OFDM QPSK	1	1	23.01	0.200	23.05	0.202	23.97	0.249
			1	26	23.06	0.202	23.20	0.209	23.98	0.250
			1	49	23.27	0.212	23.42	0.220	24.18	0.262

2A-n78A-Low Band										
BW (MHz)	SCS (kHz)	Modulation	RB Size	RB Offset	Conducted Output Power					
					631000 (3 465.00 MHz)		633340 (3 500.01 MHz)		635666 (3 534.99 MHz)	
					(dB m)	(W)	(dB m)	(W)	(dB m)	(W)
30	30	DFT-S-OFDM BPSK	1	1	23.41	0.219	23.14	0.206	23.54	0.226
			1	39	23.27	0.212	23.37	0.217	23.07	0.203
			1	76	23.04	0.201	23.54	0.226	23.61	0.230
		DFT-S-OFDM QPSK	1	1	23.47	0.222	23.07	0.203	23.26	0.212
			1	39	23.42	0.220	23.30	0.214	23.44	0.221
			1	76	23.48	0.223	23.47	0.222	22.99	0.199

2A-n78A-Low Band										
BW (MHz)	SCS (kHz)	Modulation	RB Size	RB Offset	Conducted Output Power					
					631334 (3 470.01 MHz)		633340 (3 500.01 MHz)		635332 (3 529.98 MHz)	
					(dB m)	(W)	(dB m)	(W)	(dB m)	(W)
40	30	DFT-S-OFDM BPSK	1	1	23.11	0.205	23.54	0.226	23.64	0.231
			1	53	23.34	0.216	24.51	0.282	23.00	0.200
			1	104	23.19	0.208	24.25	0.266	23.76	0.238
		DFT-S-OFDM QPSK	1	1	23.07	0.203	23.49	0.223	23.61	0.230
			1	53	23.28	0.213	24.45	0.279	23.02	0.200
			1	104	23.14	0.206	24.19	0.262	23.72	0.236

2A-n78A-Low Band										
BW (MHz)	SCS (kHz)	Modulation	RB Size	RB Offset	Conducted Output Power					
					631668 (3 475.02 MHz)		633340 (3 500.01 MHz)		635000 (3 525.00 MHz)	
					(dB m)	(W)	(dB m)	(W)	(dB m)	(W)
50	30	DFT-S-OFDM BPSK	1	1	23.08	0.203	23.23	0.210	23.24	0.211
			1	67	23.09	0.204	23.21	0.209	23.07	0.203
			1	131	23.06	0.202	23.10	0.204	23.45	0.221
		DFT-S-OFDM QPSK	1	1	22.83	0.192	23.17	0.207	23.21	0.209
			1	67	23.05	0.202	23.14	0.206	23.07	0.203
			1	131	23.03	0.201	22.92	0.196	23.40	0.219

2A-n78A-Low Band										
BW (MHz)	SCS (kHz)	Modulation	RB Size	RB Offset	Conducted Output Power					
					632000 (3 480.00 MHz)		633340 (3 500.01 MHz)		634666 (3 519.99 MHz)	
					(dB m)	(W)	(dB m)	(W)	(dB m)	(W)
60	30	DFT-S-OFDM BPSK	1	1	23.08	0.203	23.81	0.240	23.17	0.207
			1	81	23.38	0.218	24.51	0.282	23.23	0.210
			1	160	23.57	0.228	24.19	0.262	23.71	0.235
		DFT-S-OFDM QPSK	1	1	23.00	0.200	23.76	0.238	23.11	0.205
			1	81	23.25	0.211	24.45	0.279	23.16	0.207
			1	160	23.45	0.221	24.14	0.259	23.65	0.232

2A-n78A-Low Band										
BW (MHz)	SCS (kHz)	Modulation	RB Size	RB Offset	Conducted Output Power					
					632334 (3 485.01 MHz)		633340 (3 500.01 MHz)		634332 (3 514.98 MHz)	
					(dB m)	(W)	(dB m)	(W)	(dB m)	(W)
70	30	DFT-S-OFDM BPSK	1	1	23.50	0.224	23.12	0.205	23.63	0.231
			1	95	23.50	0.224	23.30	0.214	23.30	0.214
			1	187	23.72	0.236	23.31	0.214	23.35	0.216
		DFT-S-OFDM QPSK	1	1	23.32	0.215	23.74	0.237	23.38	0.218
			1	95	23.86	0.243	23.63	0.231	23.68	0.233
			1	187	23.81	0.240	23.83	0.242	23.48	0.223
2A-n78A-Low Band										
BW (MHz)	SCS (kHz)	Modulation	RB Size	RB Offset	Conducted Output Power					
					632668 (3 490.02 MHz)		633340 (3 500.01 MHz)		634000 (3 510.00 MHz)	
					(dB m)	(W)	(dB m)	(W)	(dB m)	(W)
80	30	DFT-S-OFDM BPSK	1	1	23.09	0.204	23.14	0.206	23.41	0.219
			1	109	23.10	0.204	23.35	0.216	23.55	0.226
			1	215	23.10	0.204	23.17	0.207	23.70	0.234
		DFT-S-OFDM QPSK	1	1	23.01	0.200	23.02	0.200	23.33	0.215
			1	109	23.02	0.200	23.28	0.213	23.46	0.222
			1	215	22.99	0.199	23.12	0.205	23.66	0.232
2A-n78A-Low Band										
BW (MHz)	SCS (kHz)	Modulation	RB Size	RB Offset	Conducted Output Power					
					633000 (3 495.00 MHz)		633340 (3 500.01 MHz)		633666 (3 504.99 MHz)	
					(dB m)	(W)	(dB m)	(W)	(dB m)	(W)
90	30	DFT-S-OFDM BPSK	1	1	23.12	0.205	23.59	0.229	23.56	0.227
			1	123	23.09	0.204	24.54	0.284	23.74	0.237
			1	243	23.18	0.208	24.20	0.263	23.32	0.215
		DFT-S-OFDM QPSK	1	1	23.06	0.202	23.55	0.226	23.52	0.225
			1	123	23.01	0.200	24.48	0.281	23.68	0.233
			1	243	23.11	0.205	24.15	0.260	23.27	0.212
2A-n78A-Low Band										
BW (MHz)	SCS (kHz)	Modulation	RB Size	RB Offset	Conducted Output Power					
					633340 (3 500.01 MHz)					
					(dB m)	(W)	(dB m)	(W)	(dB m)	(W)
100	30	DFT-S-OFDM BPSK	1	1	-	-	23.27	0.212	-	-
			1	137	-	-	24.54	0.284	-	-
			1	271	-	-	24.31	0.270	-	-
		DFT-S-OFDM QPSK	1	1	-	-	23.22	0.210	-	-
			1	137	-	-	24.49	0.281	-	-
			1	271	-	-	24.27	0.267	-	-

5A-n78A-Low Band										
BW (MHz)	SCS (kHz)	Modulation	RB Size	RB Offset	Conducted Output Power					
					630668 (3 460.02 MHz)		633340 (3 500.01 MHz)		636000 (3 540.00 MHz)	
					(dB m)	(W)	(dB m)	(W)	(dB m)	(W)
20	30	DFT-S-OFDM BPSK	1	1	23.83	0.242	24.20	0.263	24.55	0.285
			1	26	23.82	0.241	24.80	0.302	24.54	0.284
			1	49	24.20	0.263	24.75	0.299	24.71	0.296
		DFT-S-OFDM QPSK	1	1	24.39	0.275	24.18	0.262	24.54	0.284
			1	26	23.98	0.250	24.77	0.300	24.46	0.279
			1	49	24.45	0.279	25.01	0.317	24.63	0.290
5A-n78A-Low Band										
BW (MHz)	SCS (kHz)	Modulation	RB Size	RB Offset	Conducted Output Power					
					631000 (3 465.00 MHz)		633340 (3 500.01 MHz)		635666 (3 534.99 MHz)	
					(dB m)	(W)	(dB m)	(W)	(dB m)	(W)
30	30	DFT-S-OFDM BPSK	1	1	22.53	0.179	24.04	0.254	24.88	0.308
			1	39	23.24	0.211	24.83	0.304	24.66	0.292
			1	76	24.84	0.305	24.86	0.306	24.86	0.306
		DFT-S-OFDM QPSK	1	1	22.46	0.176	24.00	0.251	24.97	0.314
			1	39	23.16	0.207	24.79	0.301	24.56	0.286
			1	76	24.77	0.300	24.79	0.301	24.81	0.303
5A-n78A-Low Band										
BW (MHz)	SCS (kHz)	Modulation	RB Size	RB Offset	Conducted Output Power					
					631334 (3 470.01 MHz)		633340 (3 500.01 MHz)		635332 (3 529.98 MHz)	
					(dB m)	(W)	(dB m)	(W)	(dB m)	(W)
40	30	DFT-S-OFDM BPSK	1	1	24.29	0.269	23.91	0.246	23.97	0.249
			1	53	24.47	0.280	24.84	0.305	24.17	0.261
			1	104	24.63	0.290	24.96	0.313	23.85	0.243
		DFT-S-OFDM QPSK	1	1	24.83	0.304	23.86	0.243	24.07	0.255
			1	53	24.24	0.265	24.80	0.302	23.85	0.243
			1	104	24.81	0.303	24.96	0.313	23.86	0.243
5A-n78A-Low Band										
BW (MHz)	SCS (kHz)	Modulation	RB Size	RB Offset	Conducted Output Power					
					631668 (3 475.02 MHz)		633340 (3 500.01 MHz)		635000 (3 525.00 MHz)	
					(dB m)	(W)	(dB m)	(W)	(dB m)	(W)
50	30	DFT-S-OFDM BPSK	1	1	24.96	0.313	23.71	0.235	24.77	0.300
			1	67	23.58	0.228	24.69	0.294	24.46	0.279
			1	131	24.54	0.284	24.64	0.291	24.46	0.279
		DFT-S-OFDM QPSK	1	1	24.96	0.313	23.64	0.231	24.73	0.297
			1	67	23.55	0.226	24.66	0.292	24.42	0.277
			1	131	24.48	0.281	24.58	0.287	24.42	0.277
5A-n78A-Low Band										
BW (MHz)	SCS (kHz)	Modulation	RB Size	RB Offset	Conducted Output Power					
					632000 (3 480.00 MHz)		633340 (3 500.01 MHz)		634666 (3 519.99 MHz)	
					(dB m)	(W)	(dB m)	(W)	(dB m)	(W)
60	30	DFT-S-OFDM BPSK	1	1	24.19	0.262	24.11	0.258	24.30	0.269
			1	81	23.87	0.244	24.86	0.306	24.86	0.306
			1	160	23.97	0.249	24.67	0.293	24.70	0.295
		DFT-S-OFDM QPSK	1	1	24.46	0.279	23.92	0.247	24.25	0.266
			1	81	24.44	0.278	24.79	0.301	24.80	0.302
			1	160	24.60	0.288	24.57	0.286	24.62	0.290