

## FCC 15.407 NII DFS Test Report

for

**LG Electronics Inc.**

**222, LG-ro, Jinwi-myeon Pyeongtaek-Si, Gyeonggi-Do,  
17709 Republic of Korea**

**Product Name : Notebook Computer**  
**Model Name : (1)14U70Q (2)14UD70Q**  
**(3)14UB70Q (4)14UG70Q**  
**Brand : LG**  
**FCC ID : BEJNT-14U70Q**

**Prepared by: : AUDIX Technology Corporation,  
EMC Department**



The test report is based on a single evaluation of one sample of the above-mentioned products. It does not imply an assessment of the whole production and does not permit the use of the test lab logo.

## TABLE OF CONTENTS

| Description  | Page      |
|--|-----------|
| TEST REPORT.....   | 3         |
| <b>1. REVISION RECORD OF TEST REPORT .....</b>   | <b>4</b>  |
| <b>2. SUMMARY OF TEST RESULTS .....</b>  | <b>5</b>  |
| <b>3. GENERAL INFORMATION .....</b>  | <b>6</b>  |
| 3.1. Description of Application .....  | 6         |
| 3.2. Description of EUT .....  | 7         |
| 3.3. Reference Test Guidance.....  | 8         |
| 3.4. Antenna Information .....   | 8         |
| 3.5. EUT Specifications Assessed in Current Report .....   | 9         |
| 3.6. Descriptions of Key Components.....   | 10        |
| 3.7. Test Configuration.....   | 12        |
| 3.8. Tested Supporting System List.....  | 12        |
| 3.9. Description of Test Facility .....  | 12        |
| 3.10. Measurement Uncertainty .....  | 12        |
| <b>4. MEASUREMENT EQUIPMENT LIST.....</b>  | <b>13</b> |
| <b>5. WORKING MODES AND REQUIREMENT TEST ITEM.....</b>   | <b>14</b> |
| 5.1. Applicability of DFS Requirements Prior to Use of a Channel.....  | 14        |
| 5.2. Applicability of DFS Requirements during Normal Operation.....  | 14        |
| <b>6. DFS DETECTION THRESHOLDS AND RADAR TEST WAVEFORMS.....</b>   | <b>15</b> |
| 6.1. Interference Threshold Value, Master or Client Incorporating In-Service Monitoring.....                                       | 15        |
| 6.2. Radar Test Waveform Minimum Step.....   | 15        |
| 6.3. Short Pulse Radar Test Waveforms.....   | 16        |
| 6.4. Long Pulse Radar Test Waveforms .....   | 17        |
| 6.5. Frequency Hopping Pulse Radar Test Waveforms.....   | 19        |
| 6.6. Conducted Calibration Setup.....  | 21        |
| 6.7. Radar Waveform Calibration Procedure .....  | 21        |
| 6.8. Calibration Deviation .....   | 21        |
| 6.9. Radar Waveform Calibration Result .....   | 22        |
| <b>7. TEST SETUP AND TEST RESULT .....</b>   | <b>23</b> |
| 7.1. Test Setup.....   | 23        |
| 7.2. Channel Move Time, Channel Closing Transmission Time, Non-Occupancy Period,<br>Non-Associated Client Beacon Measurement ..... | 25        |

### APPENDIX A TEST PHOTOGRAPHS

## TEST REPORT

Applicant : LG Electronics Inc.  
Manufacturer : LG Electronics Inc.  
Factory : LG Electronics Nanjing New Technology Co., Ltd.  
EUT Description  
(1) Product : Notebook Computer  
(2) Model : (1)14U70Q (2)14UD70Q (3)14UB70Q (4)14UG70Q  
(3) Brand : LG  
(4) Power Supply: DC 19V, 3.42A

Applicable Standards:

47 CFR FCC Part 15 Subpart E

**Audix Technology Corp.** tested the equipment mentioned in accordance with the requirements set forth in the above standards. Test results indicate that the equipment tested is capable of demonstrating compliance with the requirements as documented within this report.

**Audix Technology Corp.** does not assume responsibility for any conclusions and generalizations drawn from the test results with regard to other specimens and samples.

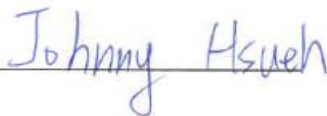
Date of Report: 2022. 06. 16

Reviewed by:



(Annie Yu/Administrator)

Approved by:



(Johnny Hsueh/Section Manager)

## 1. REVISION RECORD OF TEST REPORT

| Edition No | Issued Date  | Revision Summary   | Report Number |
|------------|--------------|--|---------------|
| 0          | 2022. 06. 09 | Original Report  | EM-F220277    |
| 0          | 2022. 06. 16 | To re-tested DFS because un-correct radar waveform before. | EM-F220277    |

## 2. SUMMARY OF TEST RESULTS

| Description  | Results |
|--|---------|
| Channel Availability Check Time  | N/A     |
| Channel Move Time  | PASS    |
| Non-Occupancy Period   | PASS    |
| Non-Associated Client Beacon   | PASS    |
| Channel Closing Transmission Time  | PASS    |
| U-NII Detection Bandwidth  | N/A     |
| N/A is an abbreviation for Not Applicable, sine the product is client without radar detection function<br>Note: The uncertainties value is not used in determining the result. |         |

### 3. GENERAL INFORMATION

#### 3.1. Description of Application

|              |   |
|--------------|---|
| Applicant    | LG Electronics Inc.<br>222, LG-ro, Jinwi-myeon Pyeongtaek-Si, Gyeonggi-Do, 17709<br>Republic of Korea                             |
| Manufacturer | LG Electronics Inc.<br>222, LG-ro, Jinwi-myeon Pyeongtaek-Si, Gyeonggi-Do, 17709<br>Republic of Korea                             |
| Factory      | LG Electronics Nanjing New Technology Co., Ltd.<br>No.346, Yaoxin Road, Economic & Technical Development Zone,<br>Nanjing, China. |
| Product      | Notebook Computer   |
| Model        | (1)14U70Q (2)14UD70Q (3)14UB70Q (4)14UG70Q<br>The difference between all models is different in the sales<br>customers.           |
| Brand        | LG  |

### 3.2. Description of EUT

| Test Model                                | 14U70Q   |          |            |           |          |      |         |      |              |      |              |      |               |      |               |      |        |      |             |  |         |      |   |      |   |      |                              |      |                                |      |
|---|--|----------|------------|-----------|----------|------|---------|------|--------------|------|--------------|------|---------------|------|---------------|------|--------|------|-------------|--|---------|------|---|------|---|------|------------------------------|------|--------------------------------|------|
| Serial Number                             | N/A  |          |            |           |          |      |         |      |              |      |              |      |               |      |               |      |        |      |             |  |         |      |   |      |   |      |                              |      |                                |      |
| Power Rating                              | DC 19V, 3.42A  |          |            |           |          |      |         |      |              |      |              |      |               |      |               |      |        |      |             |  |         |      |   |      |   |      |                              |      |                                |      |
| Software Version                          | XY (X, Y can be 0 to 9 for different SW version not influence RF parameter)  |          |            |           |          |      |         |      |              |      |              |      |               |      |               |      |        |      |             |  |         |      |   |      |   |      |                              |      |                                |      |
| RF Features                               | WLAN:802.11 a/b/g/n/ac/ax<br>Bluetooth: BT and BLE (BT 5.0)  |          |            |           |          |      |         |      |              |      |              |      |               |      |               |      |        |      |             |  |         |      |   |      |   |      |                              |      |                                |      |
| Transmit Type                             | <table border="1" style="width: 100%;"> <thead> <tr> <th colspan="2" style="text-align: center;">2.4 GHz</th> </tr> </thead> <tbody> <tr> <td>802.11b</td> <td>1T1R</td> </tr> <tr> <td>802.11g</td> <td>1T1R</td> </tr> <tr> <td>802.11n-HT20</td> <td>2T2R</td> </tr> <tr> <td>802.11n-HT40</td> <td>2T2R</td> </tr> <tr> <td>802.11ax-HE20</td> <td>2T2R</td> </tr> <tr> <td>802.11ax-HE40</td> <td>2T2R</td> </tr> <tr> <td>BT/BLE</td> <td>1T1R</td> </tr> </tbody> </table><br><table border="1" style="width: 100%;"> <thead> <tr> <th colspan="2" style="text-align: center;">U-NII Bands</th> </tr> </thead> <tbody> <tr> <td>802.11a</td> <td>1T1R</td> </tr> <tr> <td>802.11n-HT20/802.11ac-VHT20/802.11ax-HE20</td> <td>2T2R</td> </tr> <tr> <td>802.11n-HT40/802.11ac-VHT40/802.11ax-HE40</td> <td>2T2R</td> </tr> <tr> <td>802.11ac-VHT80/802.11ax-HE80</td> <td>2T2R</td> </tr> <tr> <td>802.11ac-VHT160/802.11ax-HE160</td> <td>2T2R</td> </tr> </tbody> </table> <p>The MIMO is uncorrelated and supported SDM mode only.</p> |          | 2.4 GHz    |           | 802.11b  | 1T1R | 802.11g | 1T1R | 802.11n-HT20 | 2T2R | 802.11n-HT40 | 2T2R | 802.11ax-HE20 | 2T2R | 802.11ax-HE40 | 2T2R | BT/BLE | 1T1R | U-NII Bands |  | 802.11a | 1T1R | 802.11n-HT20/802.11ac-VHT20/802.11ax-HE20 | 2T2R | 802.11n-HT40/802.11ac-VHT40/802.11ax-HE40 | 2T2R | 802.11ac-VHT80/802.11ax-HE80 | 2T2R | 802.11ac-VHT160/802.11ax-HE160 | 2T2R |
| 2.4 GHz                                   |  |          |            |           |          |      |         |      |              |      |              |      |               |      |               |      |        |      |             |  |         |      |   |      |   |      |                              |      |                                |      |
| 802.11b                                   | 1T1R   |          |            |           |          |      |         |      |              |      |              |      |               |      |               |      |        |      |             |  |         |      |   |      |   |      |                              |      |                                |      |
| 802.11g                                   | 1T1R   |          |            |           |          |      |         |      |              |      |              |      |               |      |               |      |        |      |             |  |         |      |   |      |   |      |                              |      |                                |      |
| 802.11n-HT20                              | 2T2R   |          |            |           |          |      |         |      |              |      |              |      |               |      |               |      |        |      |             |  |         |      |   |      |   |      |                              |      |                                |      |
| 802.11n-HT40                              | 2T2R   |          |            |           |          |      |         |      |              |      |              |      |               |      |               |      |        |      |             |  |         |      |   |      |   |      |                              |      |                                |      |
| 802.11ax-HE20                             | 2T2R   |          |            |           |          |      |         |      |              |      |              |      |               |      |               |      |        |      |             |  |         |      |   |      |   |      |                              |      |                                |      |
| 802.11ax-HE40                             | 2T2R   |          |            |           |          |      |         |      |              |      |              |      |               |      |               |      |        |      |             |  |         |      |   |      |   |      |                              |      |                                |      |
| BT/BLE                                    | 1T1R   |          |            |           |          |      |         |      |              |      |              |      |               |      |               |      |        |      |             |  |         |      |   |      |   |      |                              |      |                                |      |
| U-NII Bands                               |  |          |            |           |          |      |         |      |              |      |              |      |               |      |               |      |        |      |             |  |         |      |   |      |   |      |                              |      |                                |      |
| 802.11a                                   | 1T1R   |          |            |           |          |      |         |      |              |      |              |      |               |      |               |      |        |      |             |  |         |      |   |      |   |      |                              |      |                                |      |
| 802.11n-HT20/802.11ac-VHT20/802.11ax-HE20 | 2T2R   |          |            |           |          |      |         |      |              |      |              |      |               |      |               |      |        |      |             |  |         |      |   |      |   |      |                              |      |                                |      |
| 802.11n-HT40/802.11ac-VHT40/802.11ax-HE40 | 2T2R   |          |            |           |          |      |         |      |              |      |              |      |               |      |               |      |        |      |             |  |         |      |   |      |   |      |                              |      |                                |      |
| 802.11ac-VHT80/802.11ax-HE80              | 2T2R   |          |            |           |          |      |         |      |              |      |              |      |               |      |               |      |        |      |             |  |         |      |   |      |   |      |                              |      |                                |      |
| 802.11ac-VHT160/802.11ax-HE160            | 2T2R   |          |            |           |          |      |         |      |              |      |              |      |               |      |               |      |        |      |             |  |         |      |   |      |   |      |                              |      |                                |      |
| Device Category                           | <input type="checkbox"/> Outdoor Access Point<br><input type="checkbox"/> Fixed point-to-point Access Point<br><input type="checkbox"/> Indoor Access Point<br><input checked="" type="checkbox"/> Mobile and Portable client device   |          |            |           |          |      |         |      |              |      |              |      |               |      |               |      |        |      |             |  |         |      |   |      |   |      |                              |      |                                |      |
| Test Sample                               | <table border="1" style="width: 100%;"> <thead> <tr> <th style="width: 20%;">Sample No.</th> <th style="width: 60%;">Test Item</th> <th style="width: 20%;">Firmware</th> </tr> </thead> <tbody> <tr> <td style="text-align: center;">01</td> <td style="text-align: center;">DFS</td> <td style="text-align: center;">N/A</td> </tr> </tbody> </table>  |          | Sample No. | Test Item | Firmware | 01   | DFS     | N/A  |              |      |              |      |               |      |               |      |        |      |             |  |         |      |   |      |   |      |                              |      |                                |      |
| Sample No.                                | Test Item  | Firmware |            |           |          |      |         |      |              |      |              |      |               |      |               |      |        |      |             |  |         |      |   |      |   |      |                              |      |                                |      |
| 01  | DFS  | N/A      |            |           |          |      |         |      |              |      |              |      |               |      |               |      |        |      |             |  |         |      |   |      |   |      |                              |      |                                |      |
| Sample Status                             | Trial sample   |          |            |           |          |      |         |      |              |      |              |      |               |      |               |      |        |      |             |  |         |      |   |      |   |      |                              |      |                                |      |
| Date of Receipt                           | 2022. 04. 13   |          |            |           |          |      |         |      |              |      |              |      |               |      |               |      |        |      |             |  |         |      |   |      |   |      |                              |      |                                |      |
| Date of Test                              | 2022. 06. 16   |          |            |           |          |      |         |      |              |      |              |      |               |      |               |      |        |      |             |  |         |      |   |      |   |      |                              |      |                                |      |

|                        |  |
|------------------------|--|
| Interface Ports of EUT | <ul style="list-style-type: none"> <li>• One HDMI Port</li> <li>• One USB Type C Port</li> <li>• One Earphone Port</li> <li>• One Micro SD Card Slot</li> <li>• Two USB 3.0 Ports</li> <li>• One DC IN Port</li> </ul> |
| Accessories Supplied   | <ul style="list-style-type: none"> <li>• AC Adapter</li> <li>• LAN Gender (Option)</li> </ul>  |

### 3.3. Reference Test Guidance

KDB 905462 D02 U-NII DFS Compliance Procedures New Rules v02  
KDB 905462 D03 U-NII Clients Without Radar Detection New Rules v01r02

### 3.4. Antenna Information

| No. | Antenna Part Number | Manufacture | Antenna Type | Frequency (MHz) | Max Gain(dBi) |            |
|-----|---------------------|-------------|--------------|-----------------|---------------|------------|
|     |                     |             |              |                 | Main          | AUX        |
| 1.  | WA-P-LELE-04-021    | INPAQ       | Mono-Pole    | 2400            | <b>2.8</b>    | <b>2.6</b> |
|     |                     |             |              | 2450            | 2.6           | 2.2        |
|     |                     |             |              | 2500            | 2.5           | 1.4        |
|     |                     |             |              | 5150            | 4.9           | <b>4.6</b> |
|     |                     |             |              | 5400            | 4.7           | 4.4        |
|     |                     |             |              | 5850            | <b>5.1</b>    | 4.3        |

According to KDB 662911 D01 d) ii), transmit signals are completely uncorrelated, then  
 Directional gain =  $10 \log[(10^{G1/10} + 10^{G2/10} + \dots + 10^{GN/10})/N_{ANT}]$  dBi  
 Note 1. 2.4G: Directional gain =  $10 \log[(10^{2.8/10} + 10^{2.6/10})/2] = 2.70$  dBi  
 Note 2. UNII Band (1) Directional gain =  $10 \log[(10^{4.9/10} + 10^{4.6/10})/2] = 4.75$  dBi  
 UNII Band (2A) Directional gain =  $10 \log[(10^{4.7/10} + 10^{4.4/10})/2] = 4.55$  dBi  
 UNII Band (2C) Directional gain =  $10 \log[(10^{5.1/10} + 10^{4.3/10})/2] = 4.72$  dBi  
 UNII Band (3) Directional gain =  $10 \log[(10^{5.1/10} + 10^{4.3/10})/2] = 4.72$  dBi  
 We chose the antenna gain corresponding to the frequency listed on the table which is closer to center frequency of WLAN.

### 3.5. EUT Specifications Assessed in Current Report

| Mode  | U-NII Band | Fundamental Range (MHz) | Channel Number |
|---|------------|-------------------------|----------------|
| 802.11a   | 2A         | 5260-5320               | 4              |
|   | 2C         | 5500-5720               | 12             |
| 802.11n-HT20/<br>802.11ac-VHT20<br>802.11ax-HE20  | 2A         | 5260-5320               | 4              |
|   | 2C         | 5500-5720               | 12             |
| 802.11n-HT40/<br>802.11ac-VHT40<br>802.11ax-HE40  | 2A         | 5270-5310               | 2              |
|   | 2C         | 5510-5710               | 6              |
| 802.11ac-VHT80<br>802.11ax-HE80   | 2A         | 5290                    | 1              |
|   | 2C         | 5530-5690               | 3              |
| 802.11ac-VHT160<br>802.11ax-HE160   | 2A         | 5250                    | 1              |
|   | 2C         | 5570                    | 1              |
| Remark: 1. U-NII Band 2A and 2C (DFS Function, Slave/no In service monitor, no Ad-Hoc mode)<br>2. 802.11ax channel puncturing is not implemented. |            |                         |                |

| Mode            | Modulation                                       | Data Rate (Mbps) |
|-----------------|--|------------------|
| 802.11a         | OFDM (BPSK/QPSK/16QAM/64QAM)                     | Up to 54         |
| 802.11n-HT20    | OFDM (BPSK/QPSK/16QAM/64QAM)                     | Up to 144.4      |
| 802.11n-HT40    |  | Up to 300        |
| 802.11ac-VHT20  | OFDM (BPSK/QPSK/16QAM/64QAM/256QAM)              | Up to 173.3      |
| 802.11ac-VHT40  |  | Up to 400        |
| 802.11ac-VHT80  |  | Up to 866.7      |
| 802.11ac-VHT160 |  | Up to 1733.3     |
| 802.11ax-HE20   | OFDMA (BPSK/ QPSK/ 16QAM/ 64QAM/ 256QAM/1024QAM) | Up to 287        |
| 802.11ax-HE40   |  | Up to 574        |
| 802.11ax-HE80   |  | Up to 1201       |
| 802.11ax-HE160  |  | Up to 2402       |

### 3.6. Descriptions of Key Components

#### 3.6.1. For the All Component Lists

| Item  | Supplier                                   | Model / Type         | Character  |  |
|---|--|----------------------|--|--|
| System                                      | Microsoft                                  | Windows 11 Home      | ---  |  |
| Main Board                                  | LG   | 16U70Q MAIN B/D PCB  | Manufacturer:<br>#1 Hannstar BoardTech (Jiang Yin) Corp.,Ltd.<br>#2 Elec & Eltek Company (MCO) Limited.  |  |
| WLAN SUB Board                              | LG   | 14U70Q SUB B/D       | Manufacturer:<br>#1 Hannstar BoardTech (Jiang Yin ) Corp.,Ltd.<br>#2 Elec & Eltek Company (MCO) Limited. |  |
| CPU<br>(Socket: BGA1140)                    | AMD  | AMD Ryzen7 5825U     | 2.0GHz   |  |
|   | AMD  | AMD Ryzen5 5625U     | 2.3GHz   |  |
|   | AMD  | AMD Ryzen3 5300U     | 2.6GHz   |  |
| 14" LCD Panel                               | BOE  | NV140WUM-N44         | Full-HD (1920*1200) TFT LCD  |  |
| Storage (SSD)                               | SK hynix                                   | HFM001TD3JX013N      | 1TB  |  |
|   |  | HFM512GD3JX013N      | 512GB  |  |
|   |  | HFM256GD3JX013N      | 256GB  |  |
|   | Samsung                                    | MZVLQ1T0HBLB-00B00   | 1TB  |  |
|   |  | MZVLQ512HBLU-00B00   | 512GB  |  |
|   |  | MZVLQ256HBJD-00B00   | 256GB  |  |
| Memory (RAM)                                | Samsung                                    | ---                  | 16GB LPDDR4x 4266 MHz (On Board)   |  |
|   |  | ---                  | 8GB LPDDR4x 4266 MHz (On Board)  |  |
|   | SK Hynix                                   | ---                  | 16GB LPDDR4x 4266 MHz (On Board)   |  |
|   |  | ---                  | 8GB LPDDR4x 4266 MHz (On Board)  |  |
| Battery Pack                                | LG   | LBZ722DM             | DC7.76V, 72Wh, Typ 9279mAh   |  |
| WLAN Combo Card                             | Intel                                      | AX200NGW             | FCC ID: PD9AX200NG<br>IC: 1000M-AX200NG<br>NCC ID: CCAH19LP0850T0  |  |
| WLAN Combo Antenna                          | LG (INPAQ)                                 | WA-P-LELE-04-021     | PCB, Mono-pole Type<br>Main: Black, Aux: Gray  |  |
| Keyboard                                    | TIC  | KT0120B7A            | ---  |  |
| Touch Pad                                   | Lite-on                                    | SP8000(SG-A0620-00A) | LGPN (EBD63285205)   |  |
|   | Elan                                       | SB068D-26H0          | LGPN (EBD62827904)   |  |
| Web Camera                                  | Luxvisions                                 | 1BF115N3             | HD Webcam with Mic   |  |
| Finger Printer                              | Markone technology CO.,Ltd.                | MPCFPE0JPB           | LGPN (EBD63285715)   |  |
| LAN Gender<br>(Type C to LAN)<br>(Optional) | SUZHOU MEC ELECTRONICS                     | 80-5946-111          | (White) 10/100Megabit Ethernet   |  |
|   |  | 80-5946-101          | (Black) 10/100 Megabit Ethernet  |  |
|   |  | 80-5946-230          | (White) 10/100/1000 Megabit Ethernet   |  |
|   |  | 80-5946-240          | (Black) 10/100/1000 Megabit Ethernet   |  |
|   | Type C to LAN: Shielded, Undetached, 0.12m |                      |  |  |
|   | ARIN TECH CO. LTD                          | GD-08MF-36-WH-LP10   | (White) 10/100Megabit Ethernet   |  |
|   |  | GD-08MF-36-BK-LP11   | (Black) 10/100 Megabit Ethernet  |  |
|   |  | GD-08MF-50-WH-LP12   | (White) 10/100/1000 Megabit Ethernet   |  |
|   |  | GD-08MF-50-BK-LP13   | (Black) 10/100/1000 Megabit Ethernet   |  |
|   | Type C to LAN: Shielded, Undetached, 0.12m |                      |  |  |
|   | HUIZHOU DEHONG TECHNOLOGY CO.,LTD          | 370-50713            | (White) 10/100Megabit Ethernet   |  |
|   |  | 370-50714            | (Black) 10/100 Megabit Ethernet  |  |
|   | Type C to LAN: Shielded, Undetached, 0.12m |                      |  |  |

| Item       | Supplier   | Model / Type         | Character  |
|------------|--|----------------------|--|
| AC Adapter | LG (HONOR)   | ADS-65AI-19-3 19065E | Manufacturer: HONOR<br>I/P: AC 100-240V, 1.5A, 50/60Hz<br>O/P: DC 19V, 3.42A |
|            | DC Power Cord: Non-Shielded, Undetached, 1.5m, With one ferrite core<br>AC Power Cord: Non-Shielded, Detached, 1.8m (3C) |                      |  |
|            | LG (APD)   | DA-65G19             | Manufacturer: APD<br>I/P: AC 100-240V, 1.6A, 50/60Hz<br>O/P: DC 19V, 3.42A   |
|            | DC Power Cord: Non-Shielded, Undetached, 1.2m, With one ferrite core<br>AC Power Cord: Non-Shielded, Detached, 1.8m (3C) |                      |  |

Remark: For more detailed features description, please refer to the manufacturer’s specifications or the user manual.

3.6.2. The EUT collocates with following worst components, which are used to establish a basic configuration of system during test:

| SKU (Mode) 1       |                    |   |
|--------------------|--------------------|---|
| Main Board         |                    | LG, 16U70Q MAIN B/D PCB                 |
| SUB Board          |                    | LG, 14U70Q SUB B/D                      |
| CPU                |                    | AMD, AMD Ryzen7 5825U, 2.0GHz           |
| 14” LCD Panel      |                    | BOE, NV140WUM-N44                       |
| Storage (SSD)      |                    | SK hynix, 1TB                           |
|                    |                    | SK hynix, 256GB                         |
| Memory (RAM)       |                    | 16GB                                    |
| Battery Pack       |                    | LG, LBZ722DM                            |
| Keyboard           |                    | TIC, KT0120B7A                          |
| Touch Pad          |                    | Lite-on, SP8000(SG-A0620-00A)           |
| Web Camera         |                    | Luxvisions, 1BF115N3                    |
| Finger Printer     |                    | Markone technology CO.,Ltd., MPCFPE0JPB |
| WLAN Combo Card    |                    | Intel, AX200NGW                         |
| WLAN Combo Antenna |                    | LG (INPAQ), WA-P-LELE-04-021            |
| AC Adapter         |                    | LG (HONOR),ADS-65AI-19-3 19065E         |
| Type C             | Link to LAN Gender | ARIN, 10/100/1000Mbps                   |

### 3.7. Test Configuration

| Item  | Bandwidth | Test Channel |
|---|-----------|--------------|
| Channel Move Time & Channel Closing Transmission Time | 160MHz    | 50           |
| Non-Occupancy Period & Non-associated Test            | 160MHz    | 50           |

### 3.8. Tested Supporting System List

| Item      | Manufacturer | Model    | Remark                                      |
|-----------|--------------|----------|---|
| AP Server | ASUS         | RT-AX88U | FCC ID: MSQ-RTAXHP00<br>IC: 3568A- RTAXHP00 |

### 3.9. Description of Test Facility

|                   |  |
|-------------------|--|
| Name of Test Firm | Audix Technology Corporation / EMC Department<br>No. 491, Zhongfu Rd., Linkou Dist., New Taipei City 244, Taiwan<br>Tel: +886-2-26092133<br>Fax: +886-2-26099303<br>Website : www.audixtech.com<br>Contact e-mail: attemc_report@audixtech.com |
| Accreditations    | The laboratory is accredited by following organizations under ISO/IEC 17025:2017<br>(1) NVLAP(USA)<br>NVLAP Lab Code 200077-0<br>(2) TAF(Taiwan)<br>No. 1724   |
| Test Facilities   | FCC OET Designation Number under APEC MRA by NCC is : TW1724<br>(1) RF Test Room   |

### 3.10. Measurement Uncertainty

| Test Item       | Uncertainty   |
|-----------------|---------------|
| DFS Measurement | $\pm 0.5$ ms  |
| Threshold       | $\pm 0.33$ dB |

#### 4. MEASUREMENT EQUIPMENT LIST

| Item | Type                          | Manufacturer | Model No.  | Serial No.         | Cal. Date  | Cal. Interval |
|------|-------------------------------|--------------|------------|--------------------|------------|---------------|
| 1.   | Vector Signal Generation      | R&S          | SMU200A    | 104893             | 2022.06.07 | 1 Year        |
| 2.   | Spectrum Analyzer             | Agilent      | N9030A-544 | US51350140         | 2021.07.13 | 1 Year        |
| 3.   | Spectrum Analyzer             | R&S          | FSV30      | 101181             | 2021.07.13 | 1 Year        |
| 4.   | Attenuator (10dB) X2          | Worken       | WK0602-10  | 0120A02208<br>001S | N.C.R      | N.C.R         |
| 5.   | Attenuator (30dB) X2          | Worken       | WK0602-30  | 0120A02208<br>002S | N.C.R      | N.C.R         |
| 6.   | Digital Thermo-Hygro<br>Meter | iMax         | HTC-1      | RF-03              | 2022.04.14 | 1 Year        |

## 5. WORKING MODES AND REQUIREMENT TEST ITEM

### 5.1. Applicability of DFS Requirements Prior to Use of a Channel

| Requirement                     | Operational Mode |                                |                             |
|---------------------------------|------------------|--------------------------------|-----------------------------|
|                                 | Master           | Client Without Radar Detection | Client With Radar Detection |
| Non-Occupancy Period            | Yes              | Not required                   | Yes                         |
| DFS Detection Threshold         | Yes              | Not required                   | Yes                         |
| Channel Availability Check Time | Yes              | Not required                   | Not required                |
| U-NII Detection Bandwidth       | Yes              | Not required                   | Yes                         |

### 5.2. Applicability of DFS Requirements during Normal Operation

| Requirement                       | Operational Mode                             |                                |
|-----------------------------------|--|--------------------------------|
|                                   | Master Device or Client with Radar Detection | Client Without Radar Detection |
| DFS Detection Threshold           | Yes  | Not required                   |
| Channel Closing Transmission Time | Yes  | Yes                            |
| Channel Move Time                 | Yes  | Yes                            |
| U-NII Detection Bandwidth         | Yes  | Not required                   |

| Additional requirements for devices with multiple bandwidth modes | Operational Mode                             |  |
|---|--|--|
|   | Master Device or Client with Radar Detection | Client Without Radar Detection                       |
| U-NII Detection Bandwidth and Statistical Performance Check       | All BW modes must be tested                  | Not required   |
| Channel Move Time and Channel Closing Transmission Time           | Test using widest BW mode available          | Test using the widest BW mode available for the link |
| All other tests   | Any single BW mode                           | Not required   |

## 6. DFS DETECTION THRESHOLDS AND RADAR TEST

### WAVEFORMS

#### 6.1. Interference Threshold Value, Master or Client Incorporating In-Service Monitoring

| Maximum Transmit Power | Value (See Notes 1 and 2) |
|------------------------|---------------------------|
| $\geq 200$ milliwatt   | -64dBm                    |
| $< 200$ milliwatt      | -62dBm                    |

Note 1: This is the level at the input of the receiver assuming a 0 dBi receive antenna.

Note 2: Throughout these test procedures an additional 1 dB has been added to the amplitude of the test transmission waveforms to account for variations in measurement equipment. This will ensure that the test signal is at or above the detection threshold level to trigger a DFS response.

The radar Detection Threshold, lowest antenna gain is the parameter of interference radar DFS detection threshold.

#### 6.2. Radar Test Waveform Minimum Step

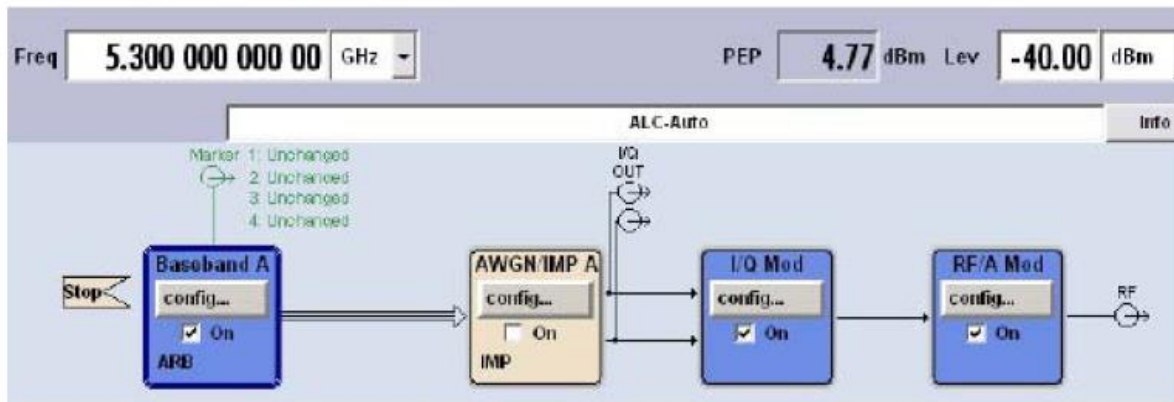
Step intervals of 0.1 microsecond for Pulse Width, 1 microsecond for PRI, 1MHz for chirp width and 1 for the number of pulses will be utilized for the random determination of specific test waveforms.

### 6.3. Short Pulse Radar Test Waveforms

| Radar Type   | Pulse Width (μsec) | PRI (μsec)                                      | Number of Pulse  | Minimum Percentage of Successful Detection | Minimum number of Trials |
|--|--------------------|---|--|--|--------------------------|
| 0  | 1                  | 1428  | 18   | See Note 1                                 | See Note 1               |
| 1A   | 1                  | 15 unique PRI in KDB 905462 D02 Table 5a        | $\text{Roundup}\left\{\left(\frac{1}{360}\right) \times \left(\frac{19 \times 10^6}{PRI}\right)\right\}$ | 60%  | 15                       |
| 1B   | 1                  | 15 unique PRI within 518-3066, Excluding 1A PRI |  | 60%  | 15                       |
| 2  | 1-5                | 150-230   | 23-29  | 60%  | 30                       |
| 3  | 6-10               | 200-500   | 16-18  | 60%  | 30                       |
| 4  | 11-20              | 200-500   | 12-16  | 60%  | 30                       |
| Aggregate (Radar Types 1-4)  |                    |   |  | 80%  | 120                      |
| Note 1: Short Pulse Radar Type 0 should be used for the detection bandwidth test, channel move time, and channel closing time tests. |                    |   |  |  |                          |

A minimum of 30 unique waveforms are required for each of the short pulse radar types 2 through 4. For short pulse radar type 1, the same waveform is used a minimum of 30 times. If more than 30 waveforms are used for short pulse radar types 2 through 4, then each additional waveform must also be unique and not repeated from the previous waveforms. The aggregate is the average of the percentage of successful detections of short pulse radar types 1-4.

FCC Radar Types (1~4) System Diagram



Used R&S SMU200A (Vector SG with two ARB)

B11: Base-band Generator with ARB (16M samples) and Digital Modulation

B13: Base-band Main Module

B106: frequency range (100 kHz to 6 GHz)

For selecting the waveform parameters from within the bounds of the signal type, system was random selection using uniform distribution.

#### 6.4. Long Pulse Radar Test Waveforms

| Radar Type | Pulse Width (µsec) | Chirp Width (MHz) | PRI (µsec) | Number of Pulse Per Burst | Number of Bursts | Minimum Percentage of Successful Detection | Minimum of Trials |
|------------|--------------------|-------------------|------------|---------------------------|------------------|--|-------------------|
| 5          | 50-100             | 5-20              | 1000-2000  | 1-3                       | 8-20             | 80%  | 30                |

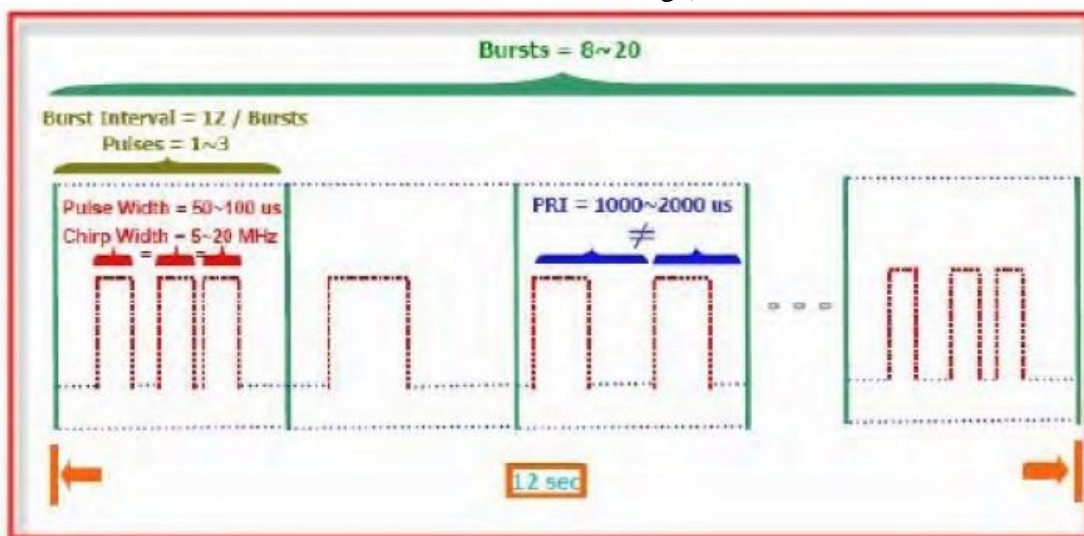
The parameters for this waveform are randomly chosen. Thirty unique waveforms are required for the Long Pulse radar test signal. If more 30 waveforms are used for the Long Pulse radar test signal, then each additional waveform must also be unique and not repeated from the previous waveforms. Each waveform is defined as following:

- (1) The transmission period for the Long Pulse Radar test signal is 12 seconds.
- (2) There are a total of 8 to 20 Bursts in the 12 second period, with the number of Bursts being randomly chosen. This number is Burst\_Count.
- (3) Each Burst consists of 1 to 3 pulses, with the number of pulses being randomly chosen. Each Burst within the 12 second sequence may have a different number of pulses.
- (4) The pulse width is between 50 and 100 microseconds, with the pulse width being randomly chosen. Each pulse within a Burst will have the some pulse width. Pulses in different Bursts may have different pulse widths.

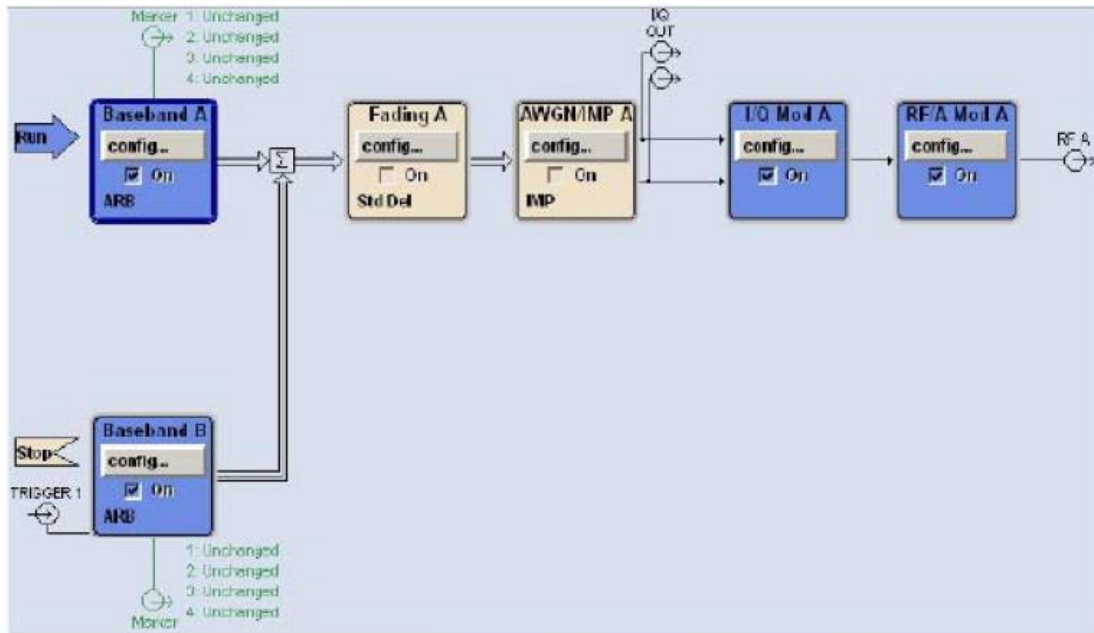
- (5) Each pulse has a linear FM chirp between 5 and 20MHz, with the chirp width being randomly chosen. Each pulse within a Burst will have the same chirp width. Pulses in different Burst may have different chirp widths. The chirp is centered on the pulse. For example, with a radar frequency of 5300MHz and a 20MHz chirped signal, the chirp starts at 5290MHz and ends at 5310MHz.
- (6) If more than one pulse is present in a Burst, the time between the pulses will be between 1000 and 2000 microseconds, with the time being randomly chosen. If three pulses are present in a Burst, the time between the first and second pulses is chosen independently of the time between the second and third pulses.
- (7) The 12 second transmission period is divided into even intervals. The number of intervals is equal to Burst\_Count. Each interval is of length  $(12000000/\text{Burst\_Count})$  microseconds. Each interval contains one Burst. The start time for the Burst, relative to the beginning of the interval, is between 1 and  $[(12000000/\text{Burst\_Count}) - (\text{Total Burst length}) + (\text{One Random PRI interval})]$  microseconds, with the start time being randomly chosen. The step interval for the start time is 1 microsecond. The start time for each Burst is chosen independently.

A representative example of a Long Pulse radar test waveform:

- (1) The total test signal length is 12 seconds.
- (2) 8 Bursts are randomly generated for the Burst\_Count.
- (3) Burst 1 has 2 randomly generated pulses.
- (4) The pulse width (for both pulses) is randomly selected to be 75 microseconds.
- (5) The PRI is randomly selected to be at 1213 microseconds.
- (6) Bursts 2 through 8 are generated using steps 3-5.
- (7) Each Burst is contained in even intervals of 1500000 microseconds. The starting location for Pulse 1. Burst 1 is randomly generated (1 to 1500000 minus the total Burst 1 length + 1 random PRI interval) at the 325001 microsecond step. Bursts 2 through 8 randomly fall in successive 1500000 microsecond intervals (i.e. Burst 2 falls in the 1500001-3000000 microsecond range).



FCC Radar Types (5) System Diagram



Used R&S SMU200A (Vector SG with two ARB)

Path A/Path B Two B11: Base-band Generator with ARB (16M samples) and Digital Modulation

B13: Base-band Main Module

B106: frequency range (100 kHz to 6 GHz)

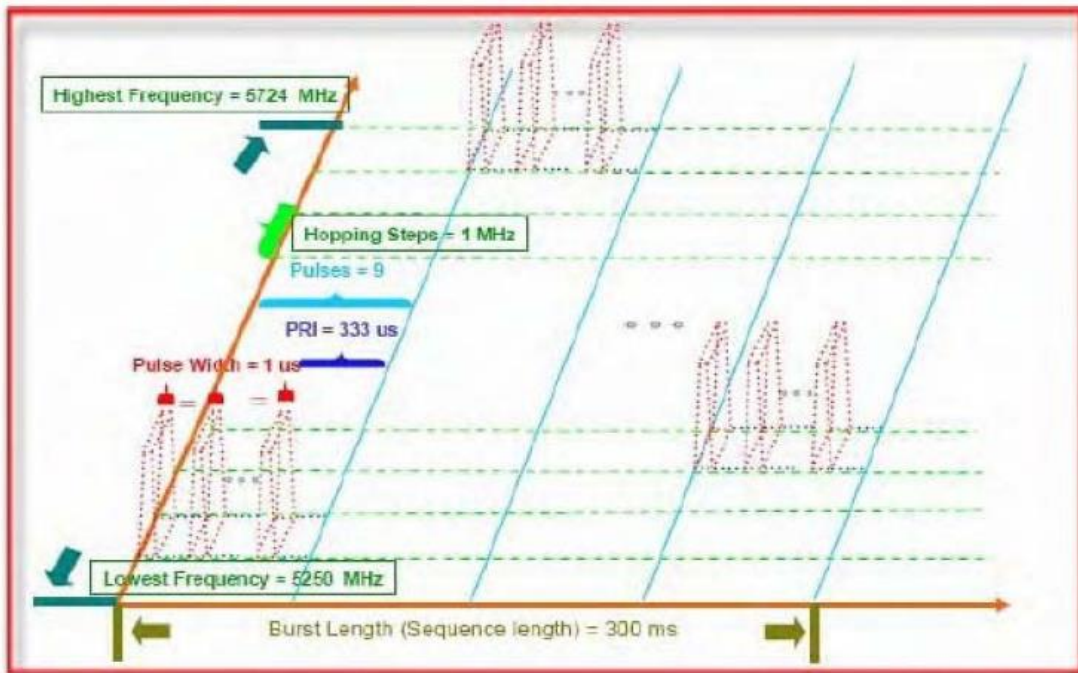
For selecting the waveform parameters from within the bounds of the signal type, system was random selection using uniform distribution.

### 6.5. Frequency Hopping Pulse Radar Test Waveforms

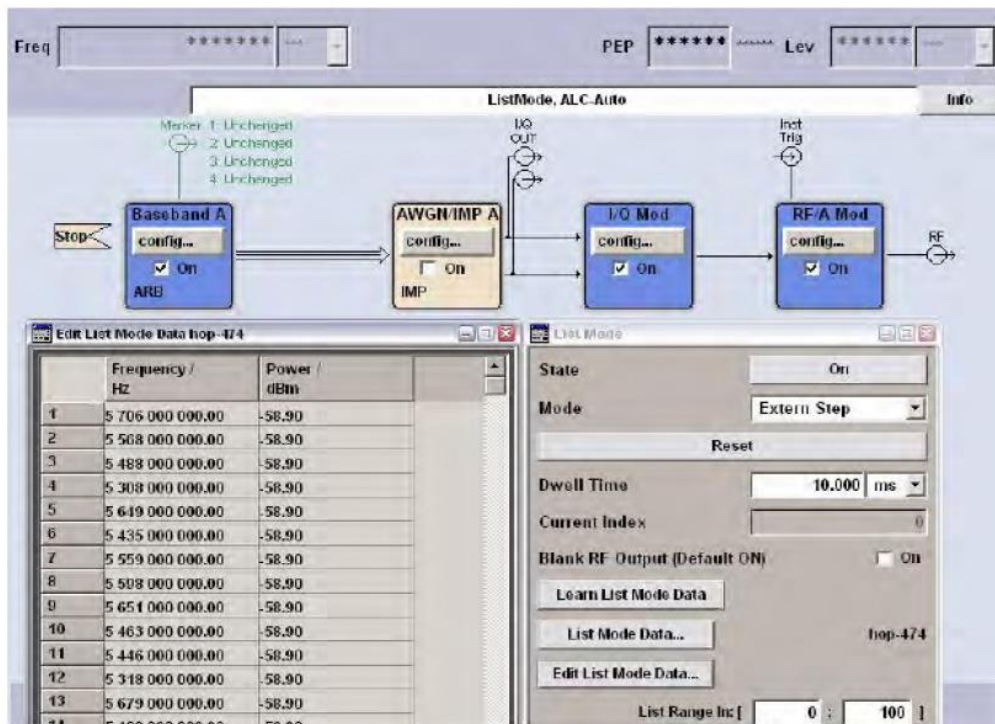
| Radar Type | Pulse Width (µsec) | PRI (µsec) | Pulses Per Hop | Hopping Rate (kHz) | Hopping Sequence Length (ms) | Minimum Percentage of Successful Detection | Minimum of Trials |
|------------|--------------------|------------|----------------|--------------------|------------------------------|--|-------------------|
| 6          | 1                  | 333        | 9              | 0.333              | 300                          | 70%  | 30                |

For the Frequency Hopping Radar Type, the same Burst parameters are used for each waveform. The hopping sequence is different for each waveform and a 100-length segment is selected from the hopping sequence defined by the following algorithm:

The first frequency in a hopping sequence is selected randomly from the group of 475 integer frequencies from 5250-5274MHz. Next, the frequency that was just chosen is removed from the group and a frequency is randomly selected from the remaining 474 frequencies in the group. This process continues until all 475 frequencies are chosen for the set. For selection of random frequency, the frequencies remaining within the group are always treated as equally likely.



FCC Radar Types (6) System Diagram



Used R&S SMU200A (Vector SG with two ARB)

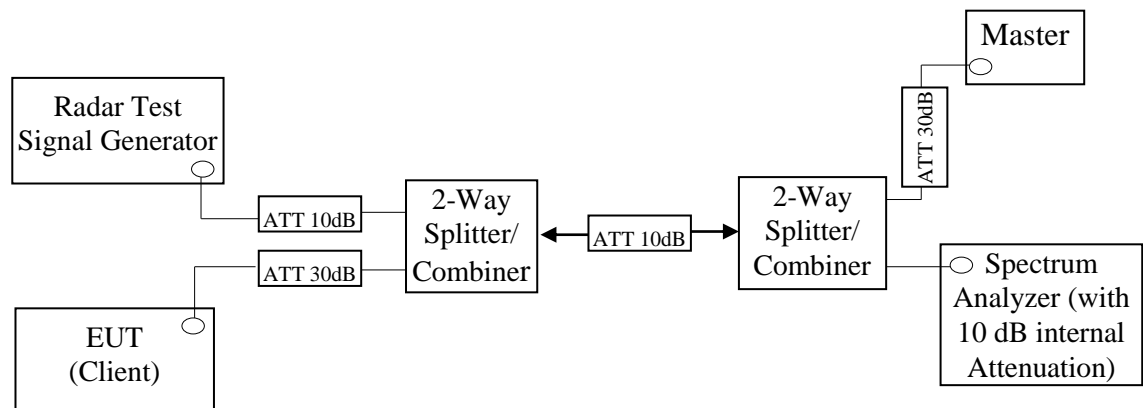
B11: Base-band Generator with ARB (16M samples) and Digital Modulation

B13: Base-band Main Module

B106: frequency range (100 kHz to 6 GHz)

For selecting the waveform parameters from within the bounds of the signal type, system was random selection using uniform distribution.

## 6.6. Conducted Calibration Setup



## 6.7. Radar Waveform Calibration Procedure

The measured frequency is 5250MHz. The radar signal was the same as transmitted channels, and injected into the antenna port of AP (master) or Client Device with Radar Detection, measured the channel closing transmission time and channel move time. The calibrated conducted detection threshold level is set to -62dBm. The tested level is lower than required level hence it provides margin to the limit.

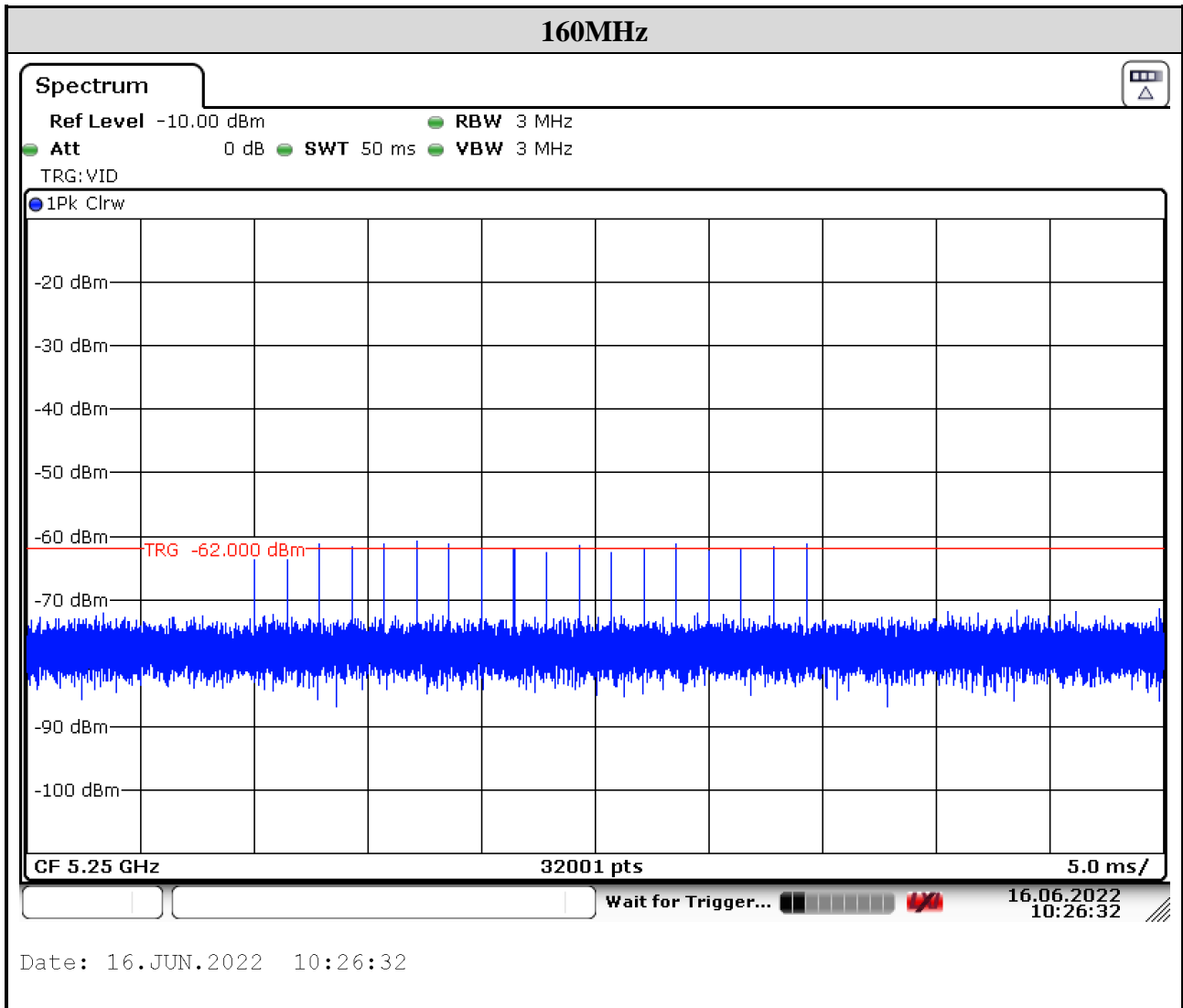
## 6.8. Calibration Deviation

There is no deviation with the original standard.

### 6.9. Radar Waveform Calibration Result

DFS detection threshold level and the burst of pulses on the Channel frequency

|           |            |            |          |
|-----------|------------|------------|----------|
| Test Date | 2022/06/16 | Temp./Hum. | 23°C/63% |
|-----------|------------|------------|----------|

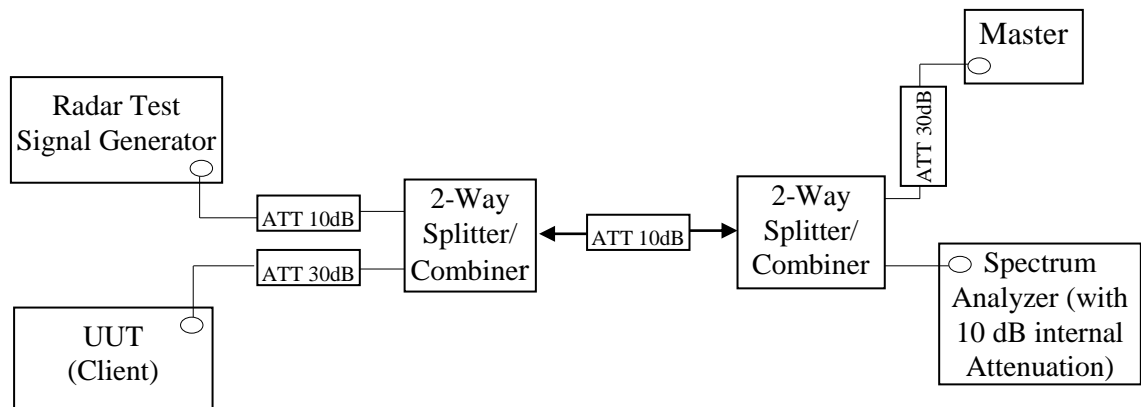


## 7. TEST SETUP AND TEST RESULT

### 7.1. Test Setup

#### 7.1.1. Test Setup Diagram

Following is the test setup for generated the radar waveforms and used to monitor U-NII device.



#### 7.1.2. Test Setup Operation

System testing was performed with the designated MPEG test file that streams full motion video from the Access Point to Client in full motion video mode using the media player with the V2.61 Codec package. This file is used by IP and Frame based systems for loading the test channel during the in-service compliance testing of the U-NII device.

The waveform parameters from within the bounds of the signal type are selected randomly using uniform distribution.

A spectrum analyzer is used as a monitor to verify that the EUT has vacated the Channel within the (Channel Closing Transmission Time and Channel Move Time, and does not transmit on a Channel during the Non-Occupancy Period after the detection and Channel move. It is also used to monitor EUT transmissions during the Channel Availability Check Time.



## 7.2. Channel Move Time, Channel Closing Transmission Time, Non-Occupancy Period, Non-Associated Client Beacon Measurement

### 7.2.1. Limit

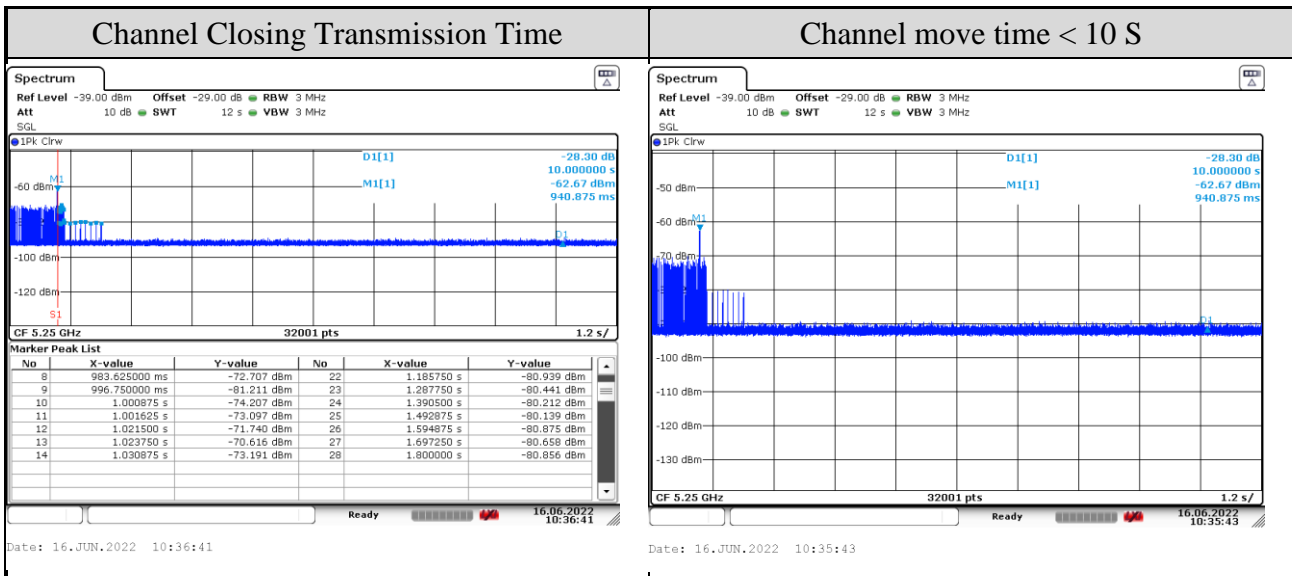
| Parameter   | Value  |
|---|--|
| Channel Move Time   | 10 seconds<br>See Note 1.  |
| Channel Closing Transmission Time   | 200 milliseconds + an aggregate of 60 milliseconds over remaining 10 second period. See Notes 1 and 2.   |
| Non-Occupancy Period  | Non-Occupancy Period time is 30 minute during which a Channel will not be utilized after a Radar Waveform is detected on that Channel                          |
| Non-Associated Client Beacon  | The non-associated Client Beacon Test is during the 30 minutes observation time. The EUT should not make any transmissions in the DFS band after EUT power up. |
| <p>Note 1: The instant that the Channel Move Time and the Channel Closing Transmission Time begins is as follows:</p> <ol style="list-style-type: none"><li>For the Short Pulse Radar Test Signals this instant is the end of the Burst.</li><li>For the Frequency Hopping radar Test Signal, this instant is the end of the last radar Burst generated.</li><li>For the Long Pulse Radar Test Signal this instant is the end of the 12 second period defining the Radar Waveform.</li></ol> <p>Note 2: The Channel Closing Transmission Time is comprised of 200 milliseconds starting at the beginning of the Channel Move Time plus any additional intermittent control signals required to facilitate a Channel move (an aggregate of 60 milliseconds) during the remainder of the 10 second period. The aggregate duration of control signals will not count quiet periods in between transmissions.</p> |  |

### 7.2.2. Test Procedures

- When a radar Burst with a level equal to the DFS Detection Threshold + 1dB is generated on the operating channel of the U-NII device. A U-NII device operating as a Client Device will associate with the Master of channel. Stream the MPEG test file from the Master Device to the Client Device on the selected channel for entire period of the test. At time to the radar waveform generator sends a Burst of pulses for each of the radar types at Detection Threshold + 1dB.
- Observe the transmissions of the EUT at the end of the radar Burst on the Operating channel. Measure and record the transmissions from the EUT during the observation time [Channel Move Time, Channel closing Time]. One 12 Second plot need to be reported for short Pulse Radar Types 0.
- Measure the EUT for more than 30 minutes following the channel close/move time to verify that the EUT does not resume only transmissions on this channel.

7.2.3. Test Result for Channel Closing Transmission Time & Channel Move Time

|           |                  |            |            |
|-----------|------------------|------------|------------|
| Test Date | 2022/06/16       | Temp./Hum. | 23°C/63%   |
| Test Mode | 802.11ax, 160MHz | Frequency  | TX 5250MHz |
|           |                  | Tested By  | Sam Chang  |

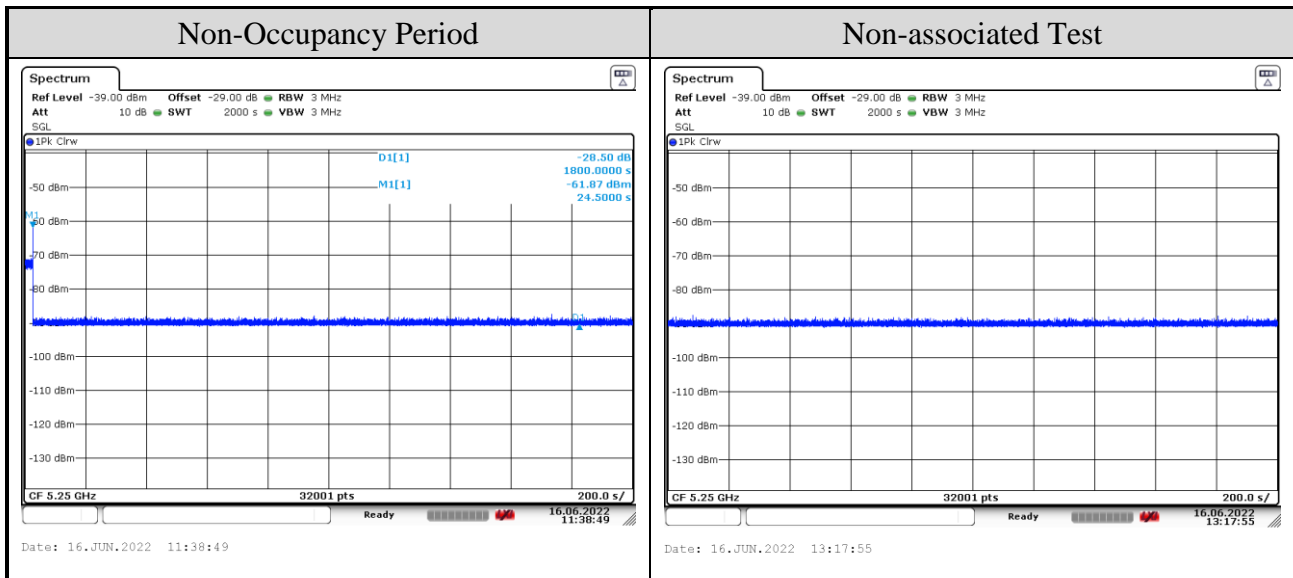


| Channel Closing Transmission Time Calculated |       |
|--|-------|
| Sweep Time(S) sec                            | 12    |
| Sweep points (P)                             | 32001 |
| Number of Sweep points in 10 sec (N)         | 28    |
| Channel Closing Time (C) ms                  | 10.50 |

Channel closing time is calculated from  $C=N * dwell$ ; where dwell is the occupancy time per sweep point calculated by the formula:  $dwell=S/P$ . N is the number of sweep points indicating transmission after S1; where S1 is the radar signal detected

7.2.4. Test Result for Non-Occupancy Period, Non-associated Test

|           |                  |            |            |
|-----------|------------------|------------|------------|
| Test Date | 2022/06/16       | Temp./Hum. | 23°C/63%   |
| Test Mode | 802.11ax, 160MHz | Frequency  | TX 5250MHz |
|           |                  | Tested By  | Sam Chang  |





*Audix Technology Corp.*  
*No. 491, Zhongfu Rd., Linkou Dist.,*  
*New Taipei City 244, Taiwan*

*Tel: +886 2 26099301*  
*Fax: +886 2 26099303*

---

# APPDNDIX A

## TEST PHOTOGRAPHS

(Model: 14U70Q)