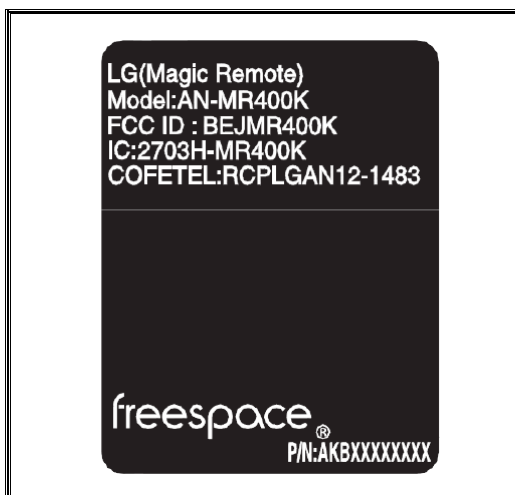


FCC ID SAMPLE LABEL & LOCATION

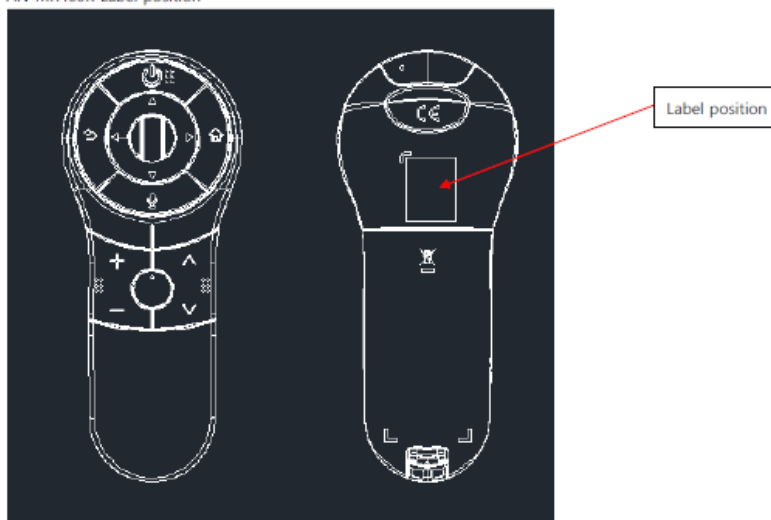
LABELLING REQUIREMENTS

PER §2.925

The Label shown shall be permanently affixed at a conspicuous location on the device and be readily visible to the user at the time of purchase



AN-MR400K Label position



- The FCC label shown is representative of the label that will appear on the radio when in production. Other information may also be included on this label.
- The device is so small that it is not practicable to place the statement specified under 15.19 statement request, the information required by this paragraph shall be placed in a prominent location in the user's manual.