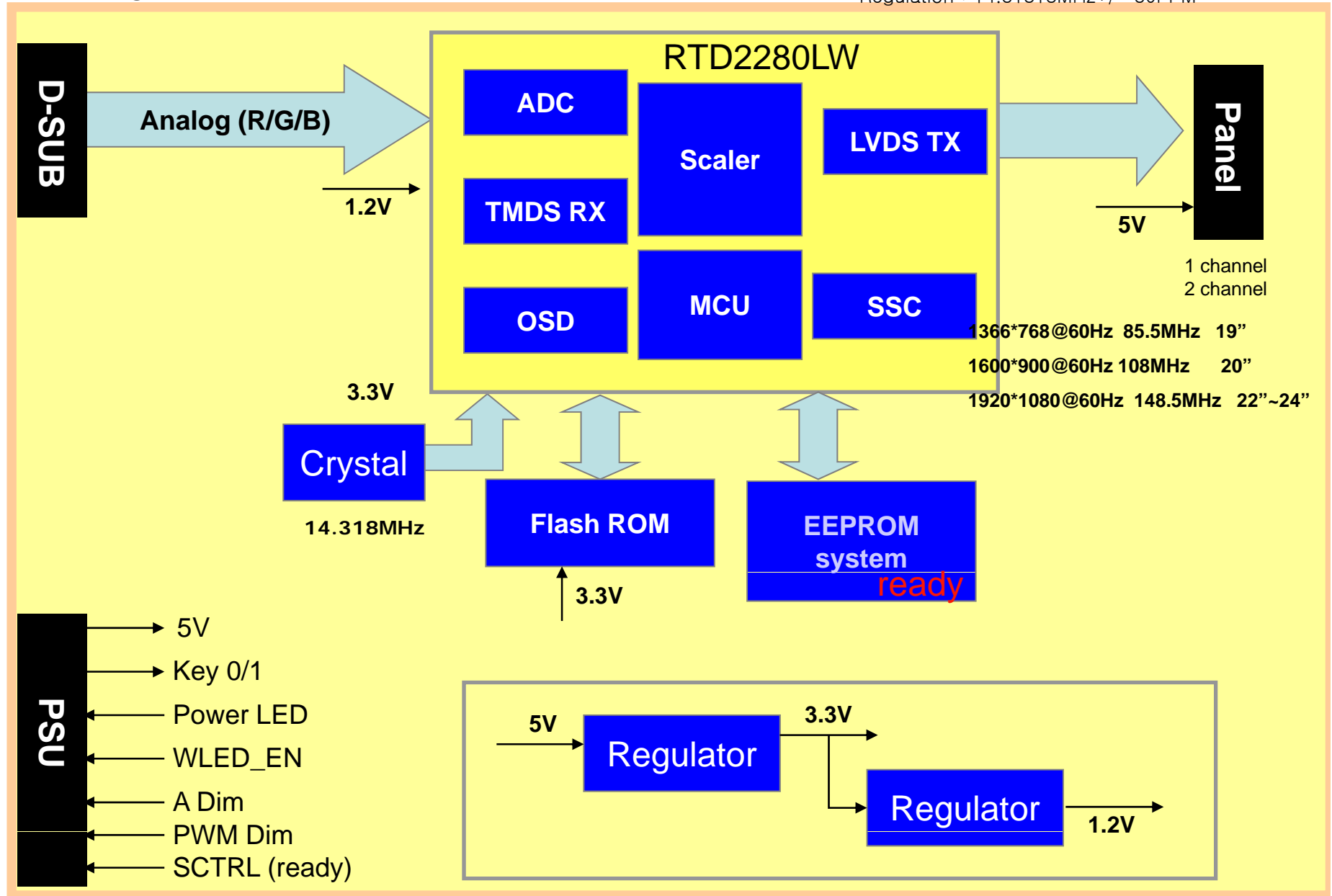
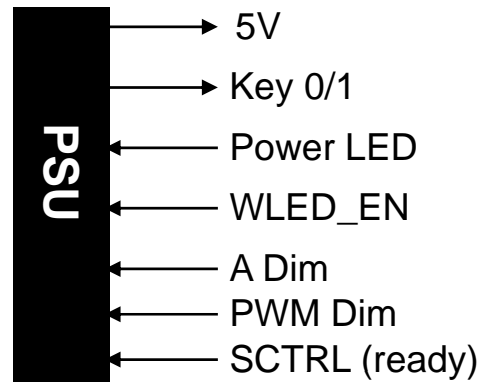


Block diagram for E2241SX (RTK)

Crystal : HLX-U-F; HC-49/S(alternate)
 Regulation : 14.31818MHz+/- 30PPM





Main to PSU connection description:

1. Key0/key1: it is for menu operation;
 2. Power LED: it is for control power LED on/off by high/low setting;
 3. WLEN_EN: it is for control LED backlight on/off by high or low setting;
 4. A DIM: it is for LED backlight current setting, please confirm it with power/S/W member
→ after setting A dim voltage, please also check lamp current and keeping data;
 5. PWM Dim: it is for Brightness, please check PWM frequency with V sync. Frequency, also confirm scaler have auto lock function or not;
 6. SCTRL: ready for DMB LED driver;
-