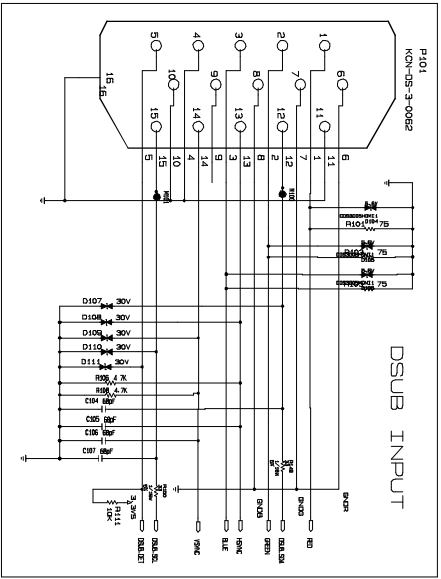
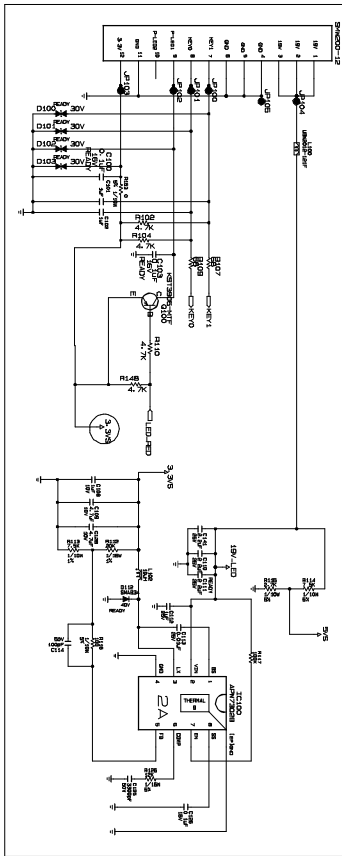


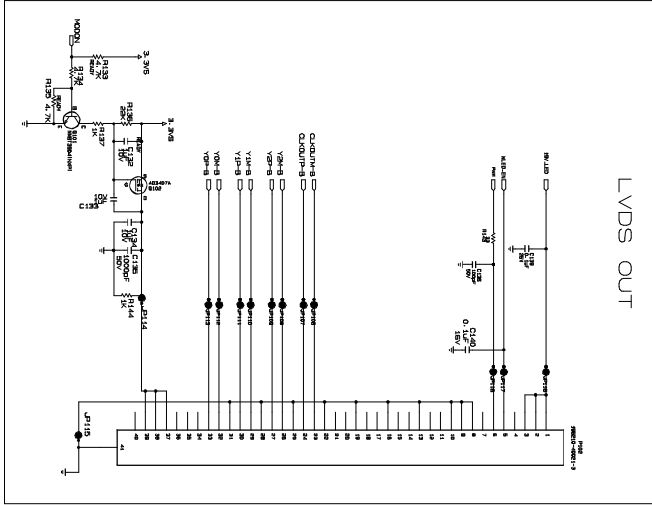
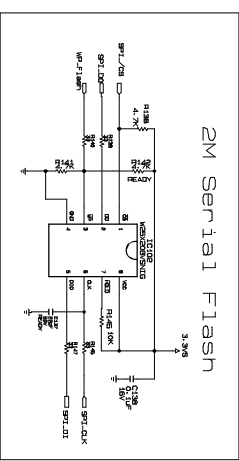
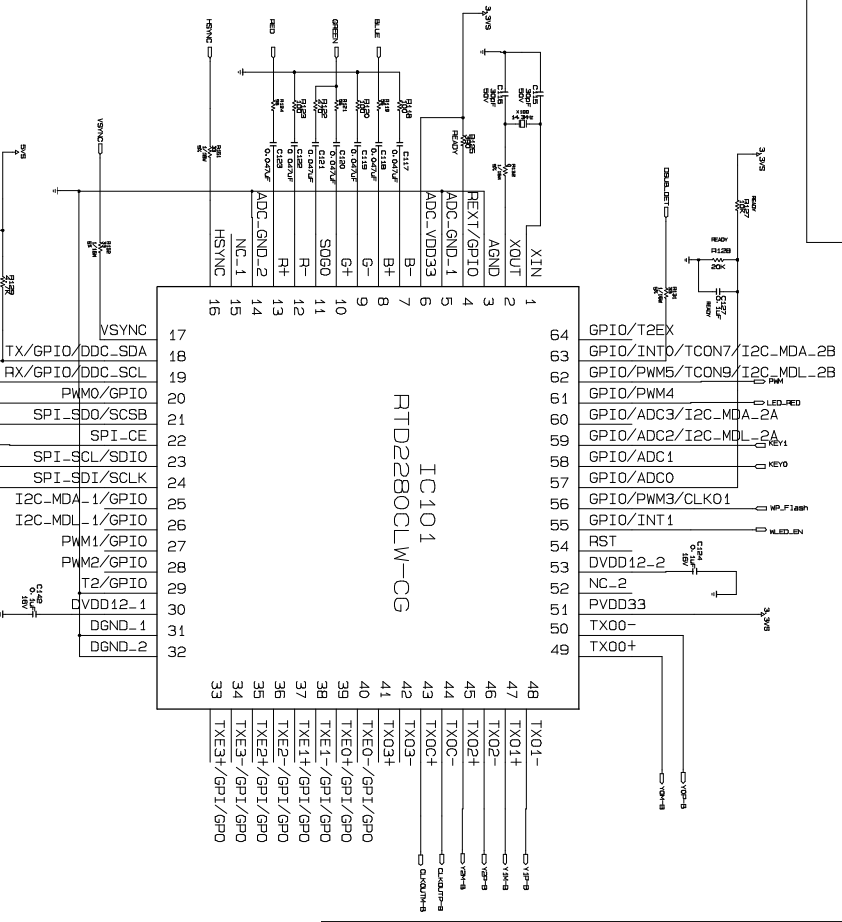
main to PSU Control KEY



THE A SHAPE MARK OF THIS SPECIFIC DESIGN INDICATES SPECIAL FEATURES IMPORTANT FOR PROTECTION FROM RADIATION, FIRE AND ELECTRICAL SHOCK HAZARDS WHEN SERVICING. IT IS ESSENTIAL THAT THE MARKING BE SEEN AND UNDERSTOOD BY THE ON SITE PERSONNEL IN THE EVENT OF AN EMERGENCY.

SECRET
L3HARTECHNICS

LG ELECTRONICS



MODEL: EAX641C DATE: 12.04.18
 BLOCK: M3131 SHEET: 1 / 1