

---

**FCC ID SAMPLE LABEL & LOCATION**

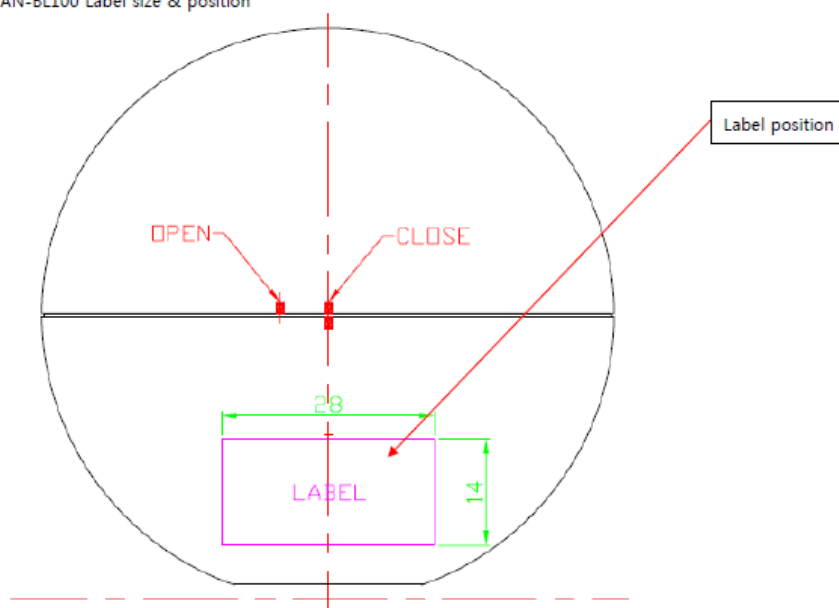
---

**LABELLING REQUIREMENTS****PER §2.925**

The Label shown shall be permanently affixed at a conspicuous location on the device and be readily visible to the user at the time of purchase

**AN-BL100 (M5 IR Blaster) Label size, position**

AN-BL100 Label size &amp; position



**This label is attached rear side by an adhesive. the adhesive is permanent type with strong strength.**

- The FCC label shown is representative of the label that will appear on the radio when in production. Other information may also be included on this label.
- The device is so small that it is not practicable to place the statement specified under 15.19 statement request, the information required by this paragraph shall be placed in a prominent location in the user's manual.