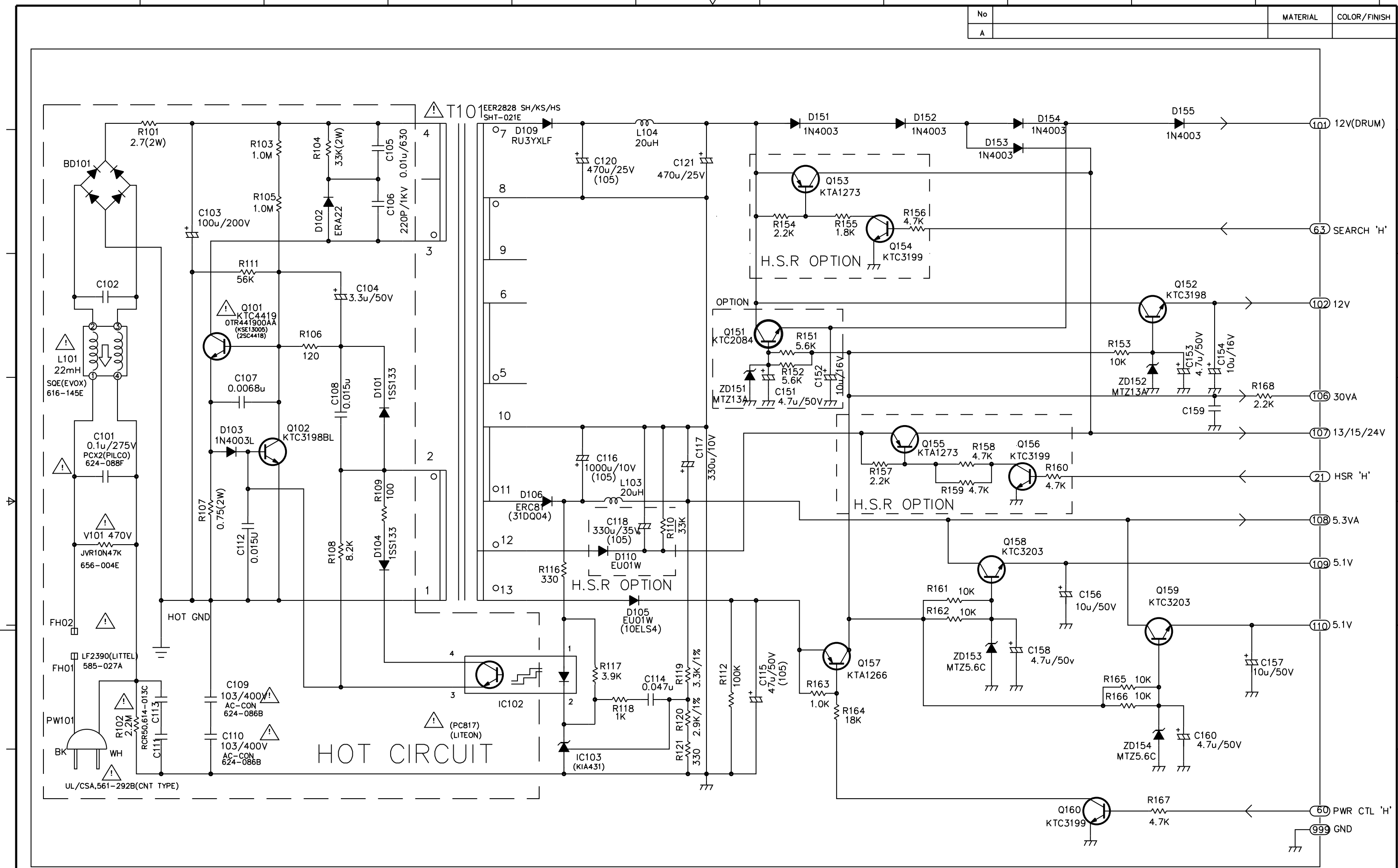


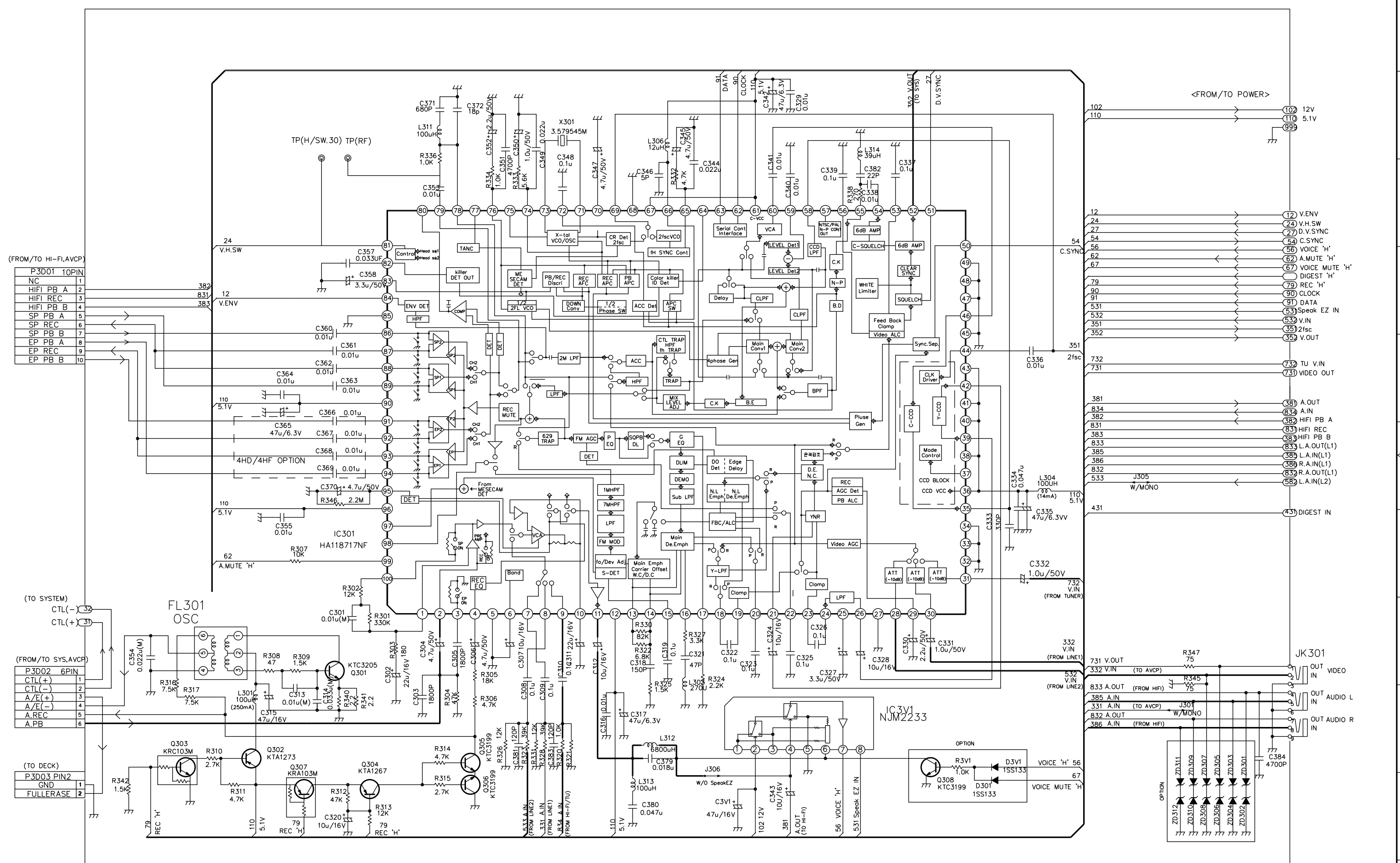
| | | | |
|----|--|----------|--------------|
| No | | MATERIAL | COLOR/FINISH |
| A | | | |



| | |
|----------------------------|---|
| DIMENSIONAL TOLERANCE | |
| ANGULAR | 0 |
| UNLESS OTHERWISE SPECIFIED | |

| | | | | | | | | |
|-----------------|---|---|----------|-----------------|------------------------------|----------|--------------|------|
| C | B | A | NO | PART NO | DESCRIPTION | MATERIAL | COLOR FINISH | NOTE |
| | | | QUANTITY | | | | | |
| SCALE | | | UNIT | DRAWN 1999.8.31 | | | | |
| THIRD ANGLE PRO | | | mm | CHECKED | | | | |
| LG전자 | | | APPROVED | | D'SCHEMATIC POWER (VRC420'S) | | | |
| | | | | | VD 3854R10471A | | | |
| | | | | | ISSUE | | | |

| No | MATERIAL | COLOR/FINISH |
|----|----------|--------------|
| A | | |



(FROM/TO HI-FI,AVCP)

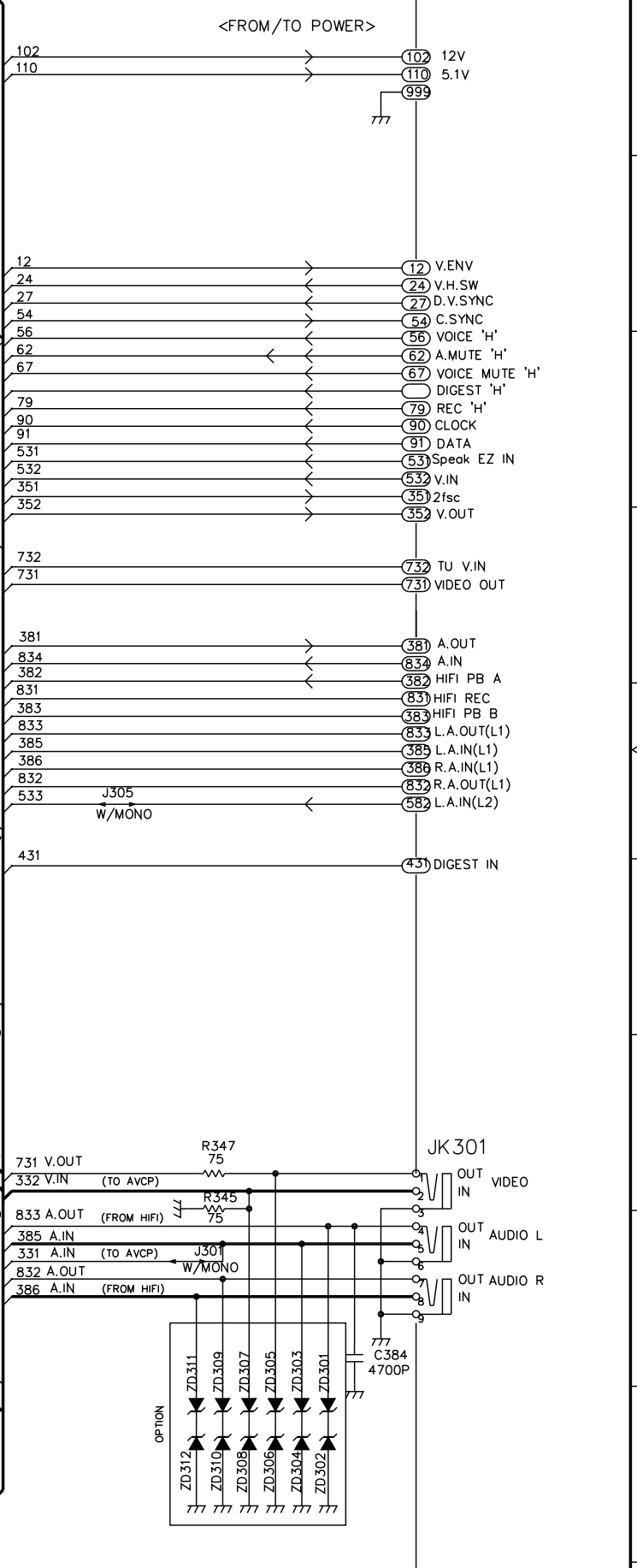
| P3D01 10PIN | 1 | 2 | 3 | 4 | 5 | 6 | 7 | 8 | 9 | 10 |
|-------------|---|---|---|---|---|---|---|---|---|----|
| NC | | | | | | | | | | |
| HIFI PB A | | | | | | | | | | |
| HIFI REC | | | | | | | | | | |
| HIFI PB B | | | | | | | | | | |
| SP PB A | | | | | | | | | | |
| SP REC | | | | | | | | | | |
| SP PB B | | | | | | | | | | |
| EP PB A | | | | | | | | | | |
| EP REC | | | | | | | | | | |
| EP PB B | | | | | | | | | | |

(FROM/TO SYS,AVCP)

| P3D02 6PIN | 1 | 2 | 3 | 4 | 5 | 6 |
|------------|---|---|---|---|---|---|
| CTL(-) | | | | | | |
| CTL(+) | | | | | | |
| A/E(+) | | | | | | |
| A/E(-) | | | | | | |
| A/REC | | | | | | |
| A/PB | | | | | | |

(TO DECK)

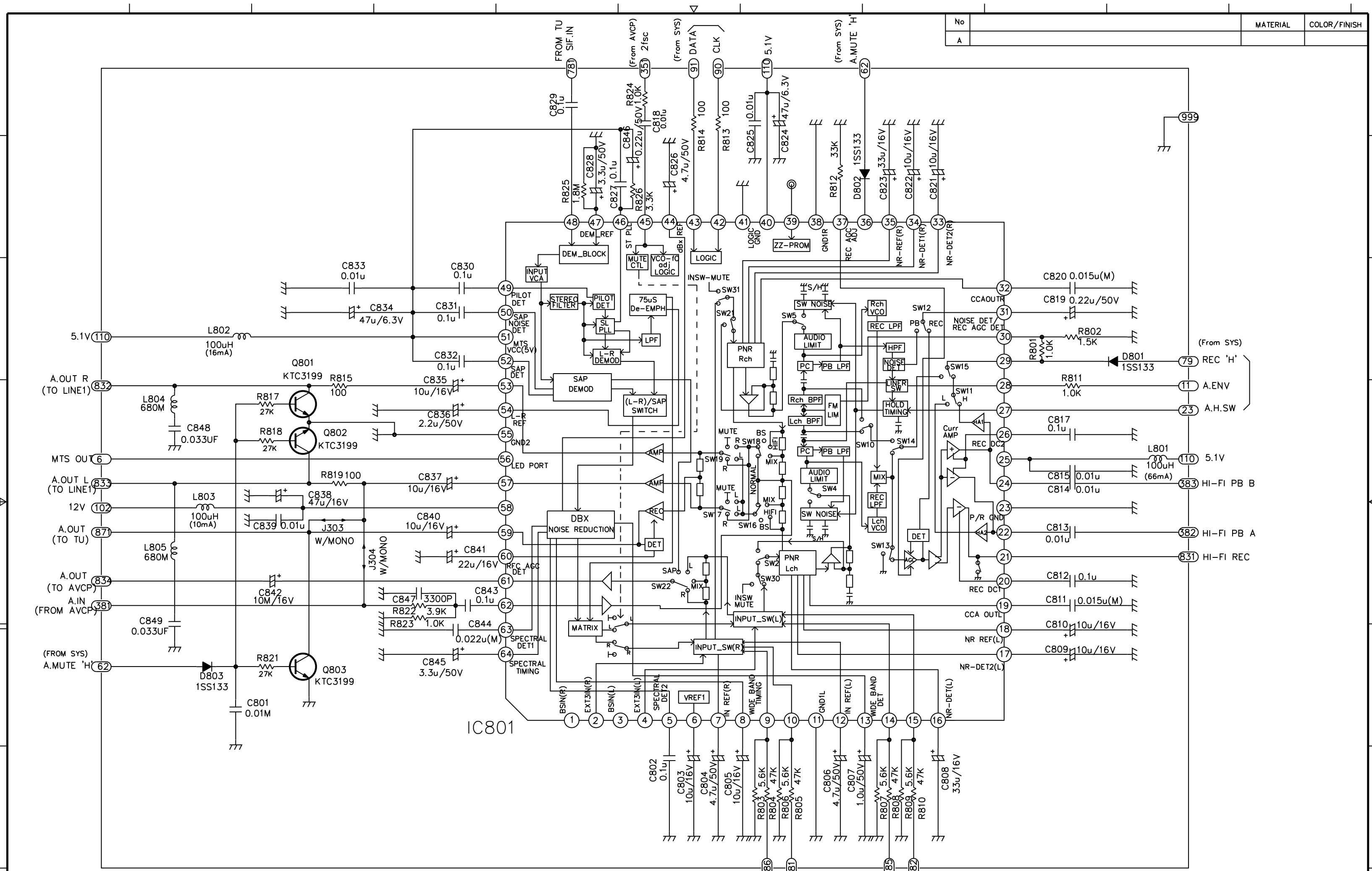
| P3D03 PIN2 | 1 | 2 |
|------------|---|---|
| GND | | |
| FULLERASE | | |



| DIMENSIONAL TOLERANCE | UNLESS OTHERWISE SPECIFIED |
|-----------------------|----------------------------|
| ANGULAR | 0 |

| QTY | NO | PART NO | DESCRIPTION | MATERIAL | COLOR/FINISH | NOTE |
|-----|----|---------|------------------|----------|--------------|------|
| 1 | | | D SCHEMATIC AVCP | | | |
| 1 | | | VRC420'S | | | |
| 1 | | | VD 3854R10472A | | | |

SCALE: mm
DRAWN: 1999.8.31
CHECKED:
APPROVED:
ISSUE:



| No | MATERIAL | COLOR/FINISH |
|----|----------|--------------|
| A | | |

| DIMENSIONAL TOLERANCE | UNLESS OTHERWISE SPECIFIED |
|-----------------------|----------------------------|
| ANGULAR | 0 |

UNLESS OTHERWISE SPECIFIED

| C | B | A | NO | PART NO | DESCRIPTION | MATERIAL | COLOR FINISH | NOTE |
|-----------------|---|-------|------|------------------|-------------|-----------------------------|--------------|------|
| | | | | | | | | |
| THIRD ANGLE PRO | | SCALE | UNIT | DRAWN 1999.08.31 | | D'S SCHEMATIC HIFI VRC420'S | | |
| | | | mm | CHECKED | | VD3854R10475A | | |
| | | | | APPROVED | | | | |

