



HAC RF EMISSIONS TEST REPORT

**FCC 47 CFR § 20.19
ANSI C63.19-2011**

For
Cellular Phone with Bluetooth and WLAN Radios

**FCC ID: BCG-E3086A
Model Name: A1779**

**Report Number: 16U23310-S4V1
Issue Date: 7/13/2016**

Prepared for
**APPLE INC.
1 INFINITE LOOP, MS 26A
CUPERTINO, CA 95014-2084**

Prepared by
**UL VERIFICATION SERVICES INC.
47173 BENICIA STREET
FREMONT, CA 94538, U.S.A.
TEL: (510) 771-1000
FAX: (510) 661-0888**



NVLAP LAB CODE 200065-0

Revision History

Rev.	Date	Revisions	Revised By
V1	7/13/2016	Initial Issue	--

Table of Contents



1. Attestation of Test Results	4
2. Test Methodology	5
3. Facilities and Accreditation	5
4. Calibration and Uncertainty	5
4.1. <i>Measuring Instrument Calibration</i>	5
4.2. <i>Measurement Uncertainty</i>	6
5. System Specifications	7
6. System Validation	8
6.1. <i>System Validation Results</i>	9
7. Average Antenna Input Power & Evaluation for Low-power Exemption	10
7.1. <i>Upper Antenna (UAT)</i>	10
7.2. <i>Lower Antenna (LAT)</i>	10
8. Device Under Test	11
8.1. <i>Air Interfaces and Operating Mode</i>	11
9. Modulation Interference Factor (MIF)	12
10. HAC RF Emissions Test Procedure	13
11. RF Emissions Measurement Criteria	16
12. HAC (RF Emissions) Test Results	16
12.1. <i>Upper Antenna (UAT)</i>	16
12.2. <i>Lower Antenna (LAT)</i>	17
12.3. <i>Worst Case RF Emission Test Plot</i>	18
Appendixes	19
16U23310-S4V1 HAC_RF_App A Setup Photo.....	19
16U23310-S4V1 HAC_RF_App B System Validation Plots	19
16U23310-S4V1 HAC_RF_App C RF Emissions Test Plots.....	19
16U23310-S4V1 HAC_RF_App D MIF Attestation Letter	19
16U23310-S4V1 HAC_RF_App E Probe Cal. Certificates.....	19
16U23310-S4V1 HAC_RF_App F Dipole Cal. Certificates	19
16U23310-S4V1 HAC_RF_App G UID Specification.....	19

1. Attestation of Test Results

Applicant Name	APPLE INC.
FCC ID	BCG-E3086A
Model Name	A1779
Applicable Standards	FCC 47 CFR § 20.19 ANSI C63.19-2011
HAC Rating	M4
Date Tested	6/8/2016 to 6/23/2016
Test Results	Pass

UL Verification Services Inc. tested the above equipment in accordance with the requirements set forth in the above standards. All indications of Pass/Fail in this report are opinions expressed by UL Verification Services Inc. based on interpretations and/or observations of test results. Measurement Uncertainties were not taken into account and are published for informational purposes only. The test results show that the equipment tested is capable of demonstrating compliance with the requirements as documented in this report.

Note: The results documented in this report apply only to the tested sample, under the conditions and modes of operation as described herein. This document may not be altered or revised in any way unless done so by UL Verification Services Inc. and all revisions are duly noted in the revisions section. Any alteration of this document not carried out by UL Verification Services Inc. will constitute fraud and shall nullify the document. This report must not be used by the client to claim product certification, approval, or endorsement by NVLAP, NIST, any agency of the Federal Government, or any agency of any government (NIST Handbook 150, Annex A). This report is written to support regulatory compliance of the applicable standards stated above.

Approved & Released By: 	Prepared By: 
Bobby Bayani Senior Engineer UL Verification Services Inc.	Anthony Cerezo Laboratory Technician UL Verification Services Inc.

2. Test Methodology

The tests documented in this report were performed in accordance with ANSI C63.19-2011 Methods of Measurement of Compatibility between Wireless Communications Devices and Hearing Aids, FCC published KDB 285076 D01 HAC Guidance v04r01 and TCB workshop updates.

3. Facilities and Accreditation

The test sites and measurement facilities used to collect data are located at

47173 Benicia Street	47266 Benicia Street
SAR Lab C	SAR Lab 2

UL Verification Services Inc. is accredited by NVLAP, Laboratory Code 200065-0.

4. Calibration and Uncertainty

4.1. Measuring Instrument Calibration

The measuring equipment utilized to perform the tests documented in this report has been calibrated in accordance with the manufacturer's recommendations, and is traceable to recognized national standards.

Name of Equipment	Manufacturer	Type/Model	Serial No.	Cal. Due Date
Synthesized Signal Generator	HP	8665B	3546A007784	6/27/2016
Power Meter	HP	437B	3125U09248	9/3/2016
Power Meter	HP	437B	3125U09516	9/17/2016
Power Sensor	HP	8481A	3318A92374	9/16/2016
Power Sensor	HP	8481A	2349A36506	9/16/2016
Amplifier	MITEQ	AMF-4D-00400600-50-30P	1622052	N/A
Directional coupler	Werlatone	C8060-102	2711	N/A
DC Power Supply	AMETEK	XT 15-4	1319A02780	N/A
Data Acquisition Electronics	SPEAG	DAE4	1257	9/16/2016
E-Field Probe*	SPEAG	ER3DV6	2509	5/13/2017
Calibration Dipole	SPEAG	CD835V3	1175	5/10/2017
Calibration Dipole	SPEAG	CD1880V3	1159	5/12/2017
Calibration Dipole	SPEAG	CD2450V3	1171	1/27/2017
Calibration Dipole	SPEAG	CD2600V3	1008	8/11/2016
Radio Communication Tester	R & S	CMU 500	125236	2/11/2017

Note(s):

*: According to SPEAG's Technical Report, "MIF Verification", Doc # TR-FB-12.09.04-1, issued date: 9/4/2012. E-field probes are calibrated with specified uncertainty according to ISO 17025 as described in their calibration certificate. The MIF according to the definition in ANSI C63.19 is specific for a modulation and can therefore be used as a constant value if the probe has been PMR calibrated.

4.2. Measurement Uncertainty

HAC Uncertainty Budget According to ANSI C63.19

Error Description	Uncertainty value ($\pm\%$)	Probe Dist.	Div.	(Ci) E	(Ci) H	Std. Unc.($\pm\%$)	
						E	H
Measurement System							
Probe Calibration	5.1	N	1	1	1	5.1	5.10
Axial Isotropy	4.7	R	1.732	1	1	2.7	2.71
Sensor Displacement	16.5	R	1.732	1	0.145	9.5	1.38
Boundary Effects	2.4	R	1.732	1	1	1.4	1.39
Phantom Boundary Effects	7.2	R	1.732	1	0	4.1	0.00
Linearity	4.7	R	1.732	1	1	2.7	2.71
Scaling to PMR Calibration	10.0	R	1.732	1	1	5.8	5.77
System Detection Limit	1.0	R	1.732	1	1	0.6	0.58
Readout Electronics	0.3	N	1	1	1	0.3	0.30
Response Time	0.8	R	1.732	1	1	0.5	0.46
Integration Time	2.6	R	1.732	1	1	1.5	1.50
RF Ambient Conditions	3.0	R	1.732	1	1	1.7	1.73
RF Reflections	12.0	R	1.732	1	1	6.9	6.93
Probe Positioner	1.2	R	1.732	1	0.67	0.7	0.46
Probe Positioning	4.7	R	1.732	1	0.67	2.7	1.82
Extrapolation and Interpolation	1.0	R	1.732	1	1	0.6	0.58
Test sample Related							
Test Positioning Vertical	4.7	R	1.732	1	0.67	2.7	1.82
Test Positioning Lateral	1.0	R	1.732	1	1	0.6	0.58
Device Holder and Phantom	2.4	R	1.732	1	1	1.4	1.39
Power Drift	5.0	R	1.732	1	1	2.9	2.89
Phantom and Setup Related							
Phantom Thickness	2.4	R	1.732	1	0.67	1.4	0.93
Combined Std. Uncertainty						16.3	12.3
Expanded Std. Uncertainty on Power						32.6	24.6
Expanded Std. Uncertainty on Field						16.3	12.3
Notes for table							
1. N - Nomal							
2. R - Rectangular							
3. Div. - Divisor used to obtain standard uncertainty							
4. Ci - is te sensitivity coefficient							

5. System Specifications

E-field measurements are performed using the DASY5 automated dosimetric assessment system. The DASY5 is made by Schmid & Partner Engineering AG (SPEAG) in Zurich, Switzerland.

The DASY5 HAC Extension consists of the following parts:

Test Arch Phantom

The specially designed Test Arch allows high precision positioning of both the device and any of the validation dipoles.

ER3DV6 Isotropic E-Field Probe

Construction:	One dipole parallel, two dipoles normal to probe axis Built-in shielding against static charges PEEK enclosure material (resistant to organic solvents, e.g., glycoether)
Calibration:	In air from 100 MHz to 3.0 GHz (absolute accuracy $\pm 6.0\%$, $k=2$)
Frequency:	100 MHz to > 6 GHz; Linearity: ± 0.2 dB (100 MHz to 3 GHz)
Directivity:	± 0.2 dB in air (rotation around probe axis) ± 0.4 dB in air (rotation normal to probe axis)
Dynamic Range:	2 V/m to > 1000 V/m; Linearity: ± 0.2 dB
Dimensions:	Overall length: 330 mm (Tip: 16 mm) Tip diameter: 8 mm (Body: 12 mm) Distance from probe tip to dipole centers: 2.5 mm The closest part of the sensor element is 1.1 mm closer to the tip
Application:	General near-field measurements up to 6 GHz Field component measurements

6. System Validation

The test setup was validated when first configured and verified periodically thereafter to ensure proper function. The procedure provided in this section is a validation procedure using dipole antennas for which the field levels were computed by numeric modeling.

Procedure

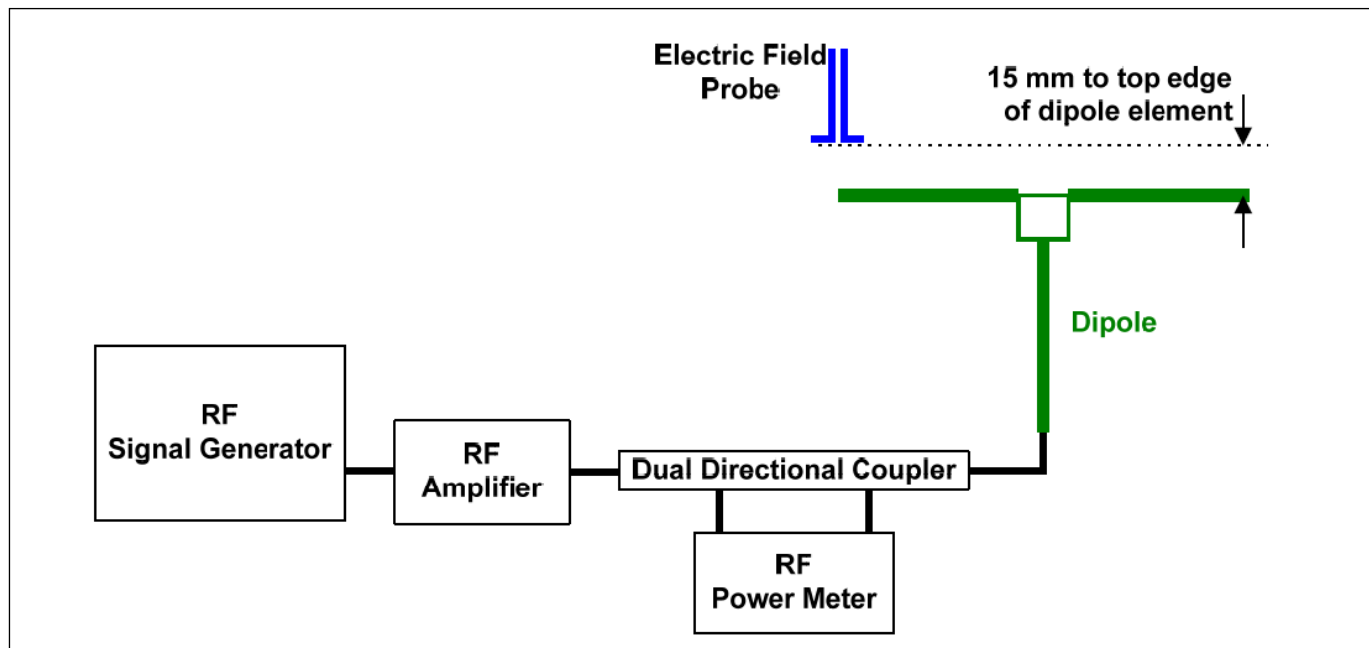
Place a dipole antenna meeting the requirements given in ANSI C63.19-2011 in the normally occupied by the WD.

The dipole antenna serves as a known source for an electrical and magnetic output. Position the E-field probe so that the following occurs:

- The probes and their cables are parallel to the coaxial feed of the dipole antenna
- The probe cables and the coaxial feed of the dipole antenna approach the measurement area from opposite directions
- The center point of the probe element(s) is 15 mm from the closest surface of the dipole elements.

Scan the length of the dipole with the E-field probe and record the two maximum values found near the dipole ends. Average the two readings and compare the reading to the expected value in the calibration certificate or the expected value in this standard.

Setup diagram



6.1. System Validation Results

SAR Lab	Date	Dipole Type_Serial #_Freq.	Dipole Cal. Due Data	Max. measured from		Average max. above arm (V/m)	Target (V/m) (From SPEAG)	Deviation (note 1) ± %	Plot No.
				above high end (V/m)	above low end (V/m)				
2	6/8/2016	CD835V3_SN:1175_(835 MHz)	5/10/2017	109.30	104.60	106.95	106.50	0.42	1
2	6/8/2016	CD1880V3_SN:1159_(1880 MHz)	5/12/2017	90.11	88.17	89.14	89.30	-0.18	2
2	6/8/2016	CD2600V3_SN:1008_(2600 MHz)	8/11/2016	90.21	80.93	85.57	85.70	-0.15	3
2	6/22/2016	CD2450V3_SN:1171_(2450 MHz)	1/27/2017	89.72	85.63	87.68	87.30	0.43	4

Notes:

- 1) Delta (Deviation) % = $100 * (\text{Measured value minus Target value}) / \text{Target value}$. Deltas within $\pm 25\%$ are acceptable, of which 12% is deviation and 13% is measurement uncertainty.
- 2) The maximum E-field or were evaluated and compared to the target values provided by SPEAG in the calibration certificate of specific dipoles.
- 3) Please refer to the appendix for detailed measurement data and plots.

7. Average Antenna Input Power & Evaluation for Low-power Exemption

An RF air interface technology of a device is exempt from testing when its average antenna input power plus its **MIF is ≤ 17 dBm** for any of its operating modes. If a device supports multiple RF air interfaces, each RF air interface shall be evaluated individually.

7.1. Upper Antenna (UAT)

Air-Interface	Average Antenna Input Power (dBm) ¹	Worst Case MIF (dB)	Input Power plus its MIF (dBm)	HAC Tested
GSM850	29.00	3.63	32.63	Yes
GSM1900	24.20	3.63	27.83	Yes
W-CDMA Band II	19.30	-27.23	-7.93	No
W-CDMA Band IV	18.30	-27.23	-8.93	No
W-CDMA Band V	22.00	-27.23	-5.23	No
CDMA BC0	22.00	3.26	25.26	Yes
CDMA BC1	19.30	3.26	22.56	Yes
CDMA BC10	22.00	3.26	25.26	Yes
LTE Band 2	19.30	-9.76	9.54	No
LTE Band 4	18.30	-9.76	8.54	No
LTE Band 5	21.50	-9.76	11.74	No
LTE Band 7	15.00	-9.76	5.24	No
LTE Band 12	22.00	-9.76	12.24	No
LTE Band 13	22.00	-9.76	12.24	No
LTE Band 17	22.00	-9.76	12.24	No
LTE Band 25	19.30	-9.76	9.54	No
LTE Band 26	21.50	-9.76	11.74	No
LTE Band 27	21.00	-9.76	11.24	No
LTE Band 30	15.30	-9.76	5.54	No
LTE Band 41	16.70	-1.44	15.26	No
802.11g	15.80	0.12	15.92	No
802.11a	13.80	-3.15	10.65	No

7.2. Lower Antenna (LAT)

Air-Interface	Average Antenna Input Power (dBm) ¹	Worst Case MIF (dB)	Input Power plus its MIF (dBm)	HAC Tested
GSM850	33.50	3.63	37.13	Yes
GSM1900	30.50	3.63	34.13	Yes
W-CDMA Band II	25.20	-27.23	-2.03	No
W-CDMA Band IV	25.20	-27.23	-2.03	No
W-CDMA Band V	25.00	-27.23	-2.23	No
CDMA BC0	25.00	3.26	28.26	Yes
CDMA BC1	25.20	3.26	28.46	Yes
CDMA BC10	25.00	3.26	28.26	Yes
LTE Band 2	24.50	-9.76	14.74	No
LTE Band 4	24.50	-9.76	14.74	No
LTE Band 5	24.00	-9.76	14.24	No
LTE Band 7	24.00	-9.76	14.24	No
LTE Band 12	24.50	-9.76	14.74	No
LTE Band 13	24.50	-9.76	14.74	No
LTE Band 17	24.50	-9.76	14.74	No
LTE Band 25	24.50	-9.76	14.74	No
LTE Band 26	24.00	-9.76	14.24	No
LTE Band 27	24.00	-9.76	14.24	No
LTE Band 30	22.30	-9.76	12.54	No
LTE Band 41	22.50	-1.44	21.06	Yes
802.11g	19.00	0.12	19.12	Yes
802.11a	19.00	-3.15	15.85	No

Note(s):

1. Max tune-up limit

8. Device Under Test

Normal operation	Held to head
Back Cover	<input checked="" type="checkbox"/> The rechargeable battery is not user accessible.

8.1. Air Interfaces and Operating Mode

Air Interface	Bands (MHz)	Type	C63.19 Tested	Simultaneous Transmitter	OTT	Power Reduction
GSM	850	VO	Yes	Wi-Fi and BT	NA	NA
	1900					
	GPRS/EDGE	DT	No	Wi-Fi and BT	Yes	NA
W-CDMA	850	VO	No ¹	Wi-Fi and BT	NA	NA
	1700					
	1900	HSPA	DT	No	Wi-Fi and BT	Yes
CDMA	800	VO	Yes	Wi-Fi and BT	NA	NA
	1900					
	EVDO	DT	No	Wi-Fi and BT	NA	NA
LTE - FDD	700	VD	No ¹	Wi-Fi and BT	Yes	NA
	850					
	1700					
	1900					
	2300					
	2600					
LTE-TDD	2500	VD	Yes	Wi-Fi and BT	Yes	NA
Wi-Fi	2450	VD	Yes	WWAN and BT	Yes	NA
	5200	VD	No ¹	WWAN and BT	Yes	NA
	5300					
	5500					
	5800					
BT	2450	DT	NA	WWAN and Wi-Fi	NA	NA
Type VO=CMRS Voice Service DT – Digital Transport VD=CMRS IP Voice Service and Digital Transport			Note: 1. Evaluated for MIF and low power exemption.			

9. Modulation Interference Factor (MIF)

The HAC Standard ANSI C63.19-2011 defines a new scaling using the Modulation Interference Factor (MIF) which replaces the need for the Articulation Weighting Factor (AWF) during the evaluation and is applicable to any modulation scheme.

The Modulation Interference factor (MIF, in dB) is added to the measured average E-field (in dBV/m) and converts it to the RF Audio Interference level (in dBV/m). This level considers the audible amplitude modulation components in the RF E-field. CW fields without amplitude modulation are assumed to not interfere with the hearing aid electronics. Modulations without time slots and low fluctuations at low frequencies have low MIF values, TDMA modulations with narrow transmission and repetition rates of few 100 Hz have high MIF values and give similar classifications as ANSI C63-2007.

Definitions

ER3D, E-field probes have a bandwidth <10 kHz and can therefore not evaluate the RF envelope in the full audio band. DASY52 is therefore using the "indirect" measurement method according to ANSI C63.19-2011 which is the primary method. These near field probes read the averaged E-field measurement. Especially for the new high peak-to-average (PAR) signal types, the probes shall be linearized by probe modulation response (PMR) calibration in order to not overestimate the field reading.

The evaluation method or the MIF is defined in ANSI C63.19-2011 section D.7. An RMS demodulated RF signal is fed to a spectral filter (similar to an A weighting filter) and forwarded to a temporal filter acting as a quasi-peak detector. The averaged output of these filtering is called to a 1 kHz 80% AM signal as reference. MIF measurement requires additional instrumentation and is not well suited for evaluation by the end user with reasonable uncertainty. It may alternatively be determined through analysis and simulation, because it is constraint and characteristic for a communication signal. DASY52 uses well defined signals for PMR calibration. The MIF of these signals has been determined by simulation and is automatically applied.

MIF values were not tested by a probe or as specified in the standards but are based on analysis provided by SPEAG for all the air interfaces (GSM, WCDMA, CDMA, LTE). The data included in this report are for the worst case operating modes. The UIDs used are listed below:

UID	Communication System Name	MIF (dB)
10021-DAB	GSM-FDD (TDMA, GMSK)	3.63
10011-CAA	UMTS-FDD (WCDMA)	-27.23
10295-AAB	CDMA2000 (1xRTT, RC1, SO3, 1/8 th Rate 25 fr.)	3.26
10170-CAB	LTE-FDD (SC-FDMA, 1 RB, 20 MHz, 16QAM)	-9.76
10182-CAB	LTE-FDD (SC-FDMA, 1 RB, 15 MHz, 16QAM)	-9.76
10176-CAB	LTE-FDD (SC-FDMA, 1 RB, 10 MHz, 16QAM)	-9.76
10173-CAB	LTE-TDD (SC-FDMA, 1 RB, 20 MHz, 16QAM)	-1.44
10077-CAA	IEEE 802.11g WiFi 2.4 GHz (DSSS/OFDM, 54 Mbps)	0.12
10069-CAA	IEEE 802.11a/n WiFi 5 GHz (OFDM, 54 Mbps)	-3.15

A PMR calibrated probe is linearized for the selected waveform over the full dynamic range within the uncertainty specified in its calibration certificate. ER3D, EF3D and EU2D E-field probes have a bandwidth <10 kHz and can therefore not evaluate the RF envelope in the full audio band. DASY52 is therefore using the "indirect" measurement method according to ANSI C63.19-2011 which is the primary method. These near field probes read the averaged E-field measurement. Especially for the new high peak-to-average (PAR) signal types, the probes shall be linearized by PMR calibration in order to not overestimate the field reading.

The MIF measurement uncertainty is estimated as follows, for modulation frequencies from slotted waveforms with fundamental frequency and at least 2 harmonics within 10 kHz:

- 0.2 dB for MIF -7 to +5 dB,
- 0.5 dB for MIF -13 to +11 dB
- 1 dB for MIF > -20 dB

10. HAC RF Emissions Test Procedure

The following are step-by-step test procedures.

- a) Confirm proper operation of the field probe, probe measurement system and other instrumentation and the positioning system.
- b) Position the WD in its intended test position.
- c) Set the WD to transmit a fixed and repeatable combination of signal power and modulation characteristic that is representative of the worst case (highest interference potential) encountered in normal use. Transiently occurring start-up, changeover, or termination conditions, or other operations likely to occur less than 1% of the time during normal operation, may be excluded from consideration.
- d) The center sub-grid shall be centered on the T-Coil mode perpendicular measurement point or the acoustic output, as appropriate. Locate the field probe at the initial test position in the 50 mm by 50 mm grid, which is contained in the measurement plane, refer to illustrated in Figure 1. If the field alignment method is used, align the probe for maximum field reception.
- e) Record the reading at the output of the measurement system
- f) Scan the entire 50 mm by 50 mm region in equally spaced increments and record the reading at each measurement point. The distance between measurement points shall be sufficient to assure the identification of the maximum reading.
- g) Identify the five contiguous sub-grids around the center sub-grid whose maximum reading is the lowest of all available choices. This eliminates the three sub-grids with the maximum readings. Thus, the six areas to be used to determine the WD's highest emissions are identified.
- h) Identify the maximum reading within the non-excluded sub-grids identified in step g).
- i) Convert the highest field reading within identified in step h) to RF audio interference level, in V/m, by taking the square root of the reading and then dividing it by the measurement system transfer function, established in 5.5.1.1 Convert this result to dB(V/m) by taking the base-10 logarithm and multiplying by 20.

Indirect measurement method

Replacing step i), the RF audio interference level in dB (V/m) is obtained by adding the MIF (in dB) to the maximum steady-state rms field-strength reading, in dB (V/m), from step h). Use this result to determine the category rating

- j) Compare this RF audio interference level with the categories in Clause 8 (ANSI C63.19-2011) and record the resulting WD category rating
- k) For the T-Coil mode M-rating assessment, determine whether the chosen perpendicular measurement point is contained in an included sub-grid of the first scan. If so, then a second scan is not necessary. The first scan and resultant category rating may be used for the T-Coil mode M rating.

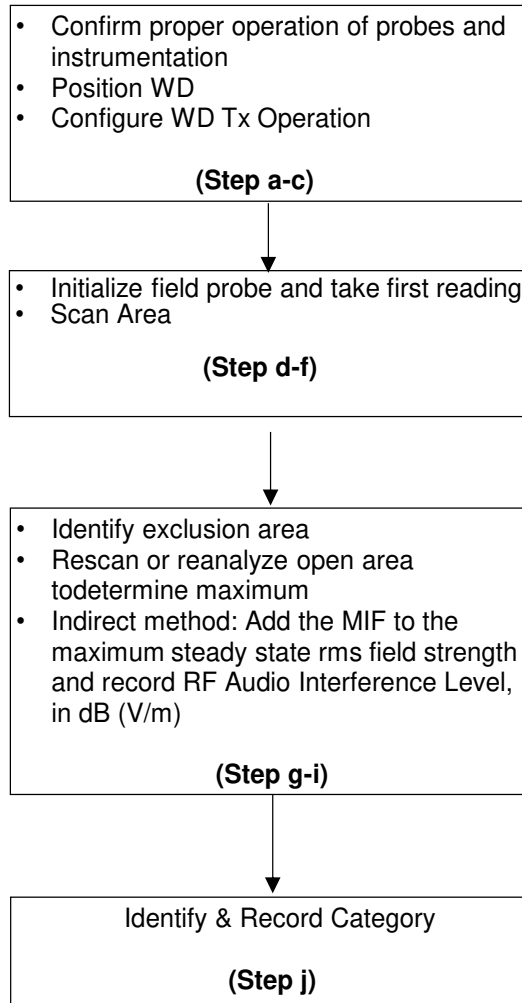
Otherwise, repeat step a) through step i), with the grid shifted so that it is centered on the perpendicular measurement point. Record the WD category rating.



Figure 1 - WD reference and plane for RF emission measurements

Test flowchart Per ANSI-PC63.19 2011

Test Instructions



11. RF Emissions Measurement Criteria

WD RF audio interference level categories in logarithmic units

Emission Categories	E-field emissions	
	< 960 MHz	> 960 MHz
Category M1	50 to 55 dB (V/m)	40 to 45 dB (V/m)
Category M2	45 to 50 dB (V/m)	35 to 40 dB (V/m)
Category M3	40 to 45 dB (V/m)	30 to 35 dB (V/m)
Category M4	<40 dB (V/m)	<30 dB (V/m)

12. HAC (RF Emissions) Test Results

MIF values were not tested by a probe or as specified in the standards but are based on analysis provided by SPEAG for the following User Identifiers and air interfaces.

The data included in this report are for the worst case operating modes. Refer to Appendix D and G for the MIF values that represent the worst case operation modes.

12.1. Upper Antenna (UAT)

Air-Interface	Ch. No.	Freq. (MHz)	Results* (dB V/m)	Results plus 0.2dB uncertainty (dB V/m)	M-Rating	Plots Page #
GSM850	128	824.40	36.58	36.78	M4	1
	190	836.60	35.68	35.88	M4	2
	251	848.60	34.97	35.17	M4	3
GSM1900	512	1850.20	25.74	25.94	M4	4
	661	1880.00	24.65	24.85	M4	5
	810	1909.80	25.25	25.45	M4	6
CDMA2000 BC0	1013	824.70	30.41	30.61	M4	7
	384	836.60	30.24	30.44	M4	8
	777	848.31	30.12	30.32	M4	9
CDMA2000 BC1	25	1851.25	23.66	23.86	M4	10
	600	1880.00	22.71	22.91	M4	11
	1175	1908.75	22.07	22.27	M4	12
CDMA2000 BC10	476	817.90	30.11	30.31	M4	13
	580	820.50	30.12	30.32	M4	14
	684	823.10	30.08	30.28	M4	15
W-CDMA, LTE-FDD, LTE-TDD & 802.11	Refer to Section 7 Evaluation for Low-power Exemption. RF Emission testing for this device is required only for GSM CDMA voice modes. All other applicable air-interfaces are exempt from testing in accordance with C63.19-2011 Clause 4.4 and are rated M4.				M4	N/A

Note(s):

*: Measured Audio Interference level in dB (V/m): indirect method (max rms field strength Plus MIF)

12.2. Lower Antenna (LAT)

Air-Interface	Ch. No.	Freq. (MHz)	Results* (dB V/m)	Results plus 0.2dB uncertainty (dB V/m)	M-Rating	Plots Page #
GSM850	128	824.40	38.60	38.80	M4	16
	190	836.60	37.06	37.26	M4	17
	251	848.60	36.87	37.07	M4	18
GSM1900	512	1850.20	28.59	28.79	M4	19
	661	1880.00	28.43	28.63	M4	20
	810	1909.80	28.50	28.70	M4	21
CDMA2000 BC0	1013	824.70	29.24	29.44	M4	22
	384	836.60	27.97	28.17	M4	23
	777	848.31	26.28	26.48	M4	24
CDMA2000 BC1	25	1851.25	24.23	24.43	M4	25
	600	1880.00	24.30	24.50	M4	26
	1175	1908.75	24.53	24.73	M4	27
CDMA2000 BC10	476	817.90	26.78	26.98	M4	28
	580	820.50	27.01	27.21	M4	29
	684	823.10	27.77	27.97	M4	30
LTE-TDD Band 41	39750	2506.00	27.15	27.35	M4	31
	40185	2549.50	26.16	26.36	M4	32
	40620	2593.00	24.42	24.62	M4	33
	41055	2636.50	22.63	22.83	M4	34
	41490	2680.00	21.86	22.06	M4	35
802.11g	3	2422.0	23.19	23.39	M4	36
	6	2437.0	23.74	23.94	M4	37
	9	2452.0	24.10	24.30	M4	38
W-CDMA & LTE-FDD	Refer to Section 7 Evaluation for Low-power Exemption. RF Emission testing for this device is required only for GSM CDMA voice modes, LTE-TDD, and 802.11g. All other applicable air-interfaces are exempt from testing in accordance with C63.19-2011 Clause 4.4 and are rated M4.				M4	N/A

Note(s):

*: Measured Audio Interference level in dB (V/m): indirect method (max rms field strength Plus MIF).

12.3. Worst Case RF Emission Test Plot

Test Laboratory: UL Verification Services Inc., SAR Lab 2

Date: 6/8/2016

HAC-RF Emission LAT

Communication System: UID 10021 - DAB, GSM-FDD (TDMA, GMSK); Frequency: 824.2 MHz; Duty Cycle: 1:8.6896

Phantom section: RF Section

DASY5 Configuration:

- Probe: ER3DV6 - SN2509; ConvF(1, 1, 1); Calibrated: 5/13/2016;
- Sensor-Surface: (Fix Surface)
- Electronics: DAE4 Sn1257; Calibrated: 9/16/2015
- Phantom: HAC Test Arch with AMCC; Type: SD HAC P01 BB
- Measurement SW: DASY52, Version 52.8 (7);SEMCAD X Version 14.6.10 (7164)

GSM850 E-Field measurement/Voice_ch 128/Hearing Aid Compatibility Test

(101x101x1): Interpolated grid: dx=0.5000 mm, dy=0.5000 mm

Device Reference Point: 0, 0, -6.3 mm

Reference Value = 66.63 V/m; Power Drift = 0.29 dB

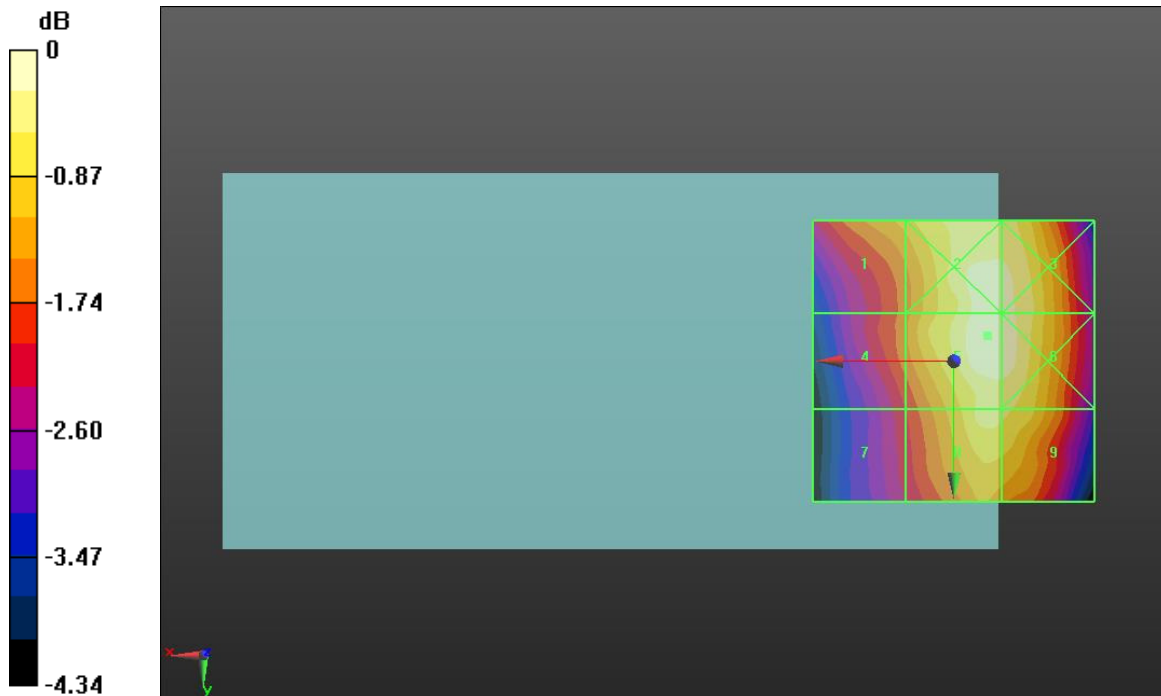
Applied MIF = 3.63 dB

RF audio interference level = 38.60 dBV/m

Emission category: **M4**

MIF scaled E-field

Grid 1 M4 37.59 dBV/m	Grid 2 M4 38.52 dBV/m	Grid 3 M4 38.45 dBV/m
Grid 4 M4 37.12 dBV/m	Grid 5 M4 38.6 dBV/m	Grid 6 M4 38.52 dBV/m
Grid 7 M4 36.6 dBV/m	Grid 8 M4 38.15 dBV/m	Grid 9 M4 38.11 dBV/m



0 dB = 85.09 V/m = 38.60 dBV/m

Appendixes

Refer to separated files for the following appendixes

16U23310-S4V1 HAC_RF_App A Setup Photo

16U23310-S4V1 HAC_RF_App B System Validation Plots

16U23310-S4V1 HAC_RF_App C RF Emissions Test Plots

16U23310-S4V1 HAC_RF_App D MIF Attestation Letter

16U23310-S4V1 HAC_RF_App E Probe Cal. Certificates

16U23310-S4V1 HAC_RF_App F Dipole Cal. Certificates

16U23310-S4V1 HAC_RF_App G UID Specification

END OF REPORT