

Harman International Industries, Inc

Product Name: BLUETOOTH HEADSET

FCC ID: APIJBLVFLEX2

ISED ID Number: 6132A-JBLVFLEX2

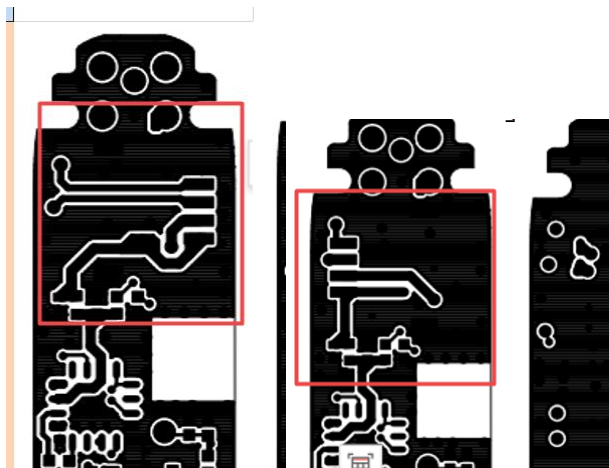
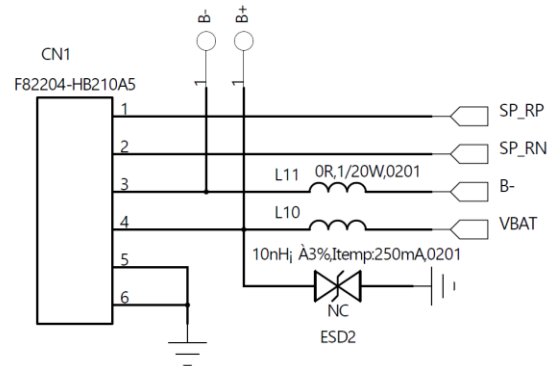
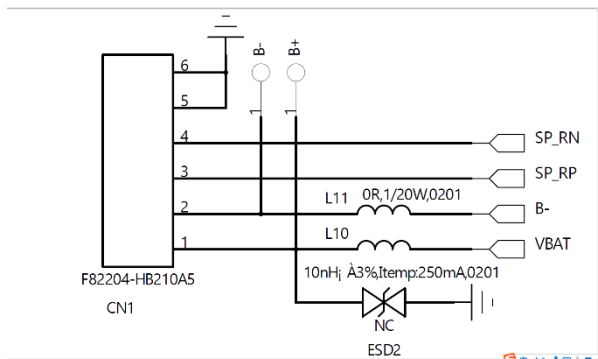
Model(s) for FCC IC application: VIBE FLEX 2

Model(s) for NB application: WAVE FLEX 2, VIBE FLEX 2

Model difference for left earbud and right earbud.

left earbud and right earbud have the same technical construction.

The difference between the left and right ears is marked in the figure below (R side, 1/2 pin connected to battery, 3/4 pin connected to speaker; L side, 1/2 pin connected to speaker, 3/4 pin connected to battery)



Yours sincerely,

Name: *Terry Shi*

Date: 2024-6-7

Title and Company name:

Harman International Industries, Inc