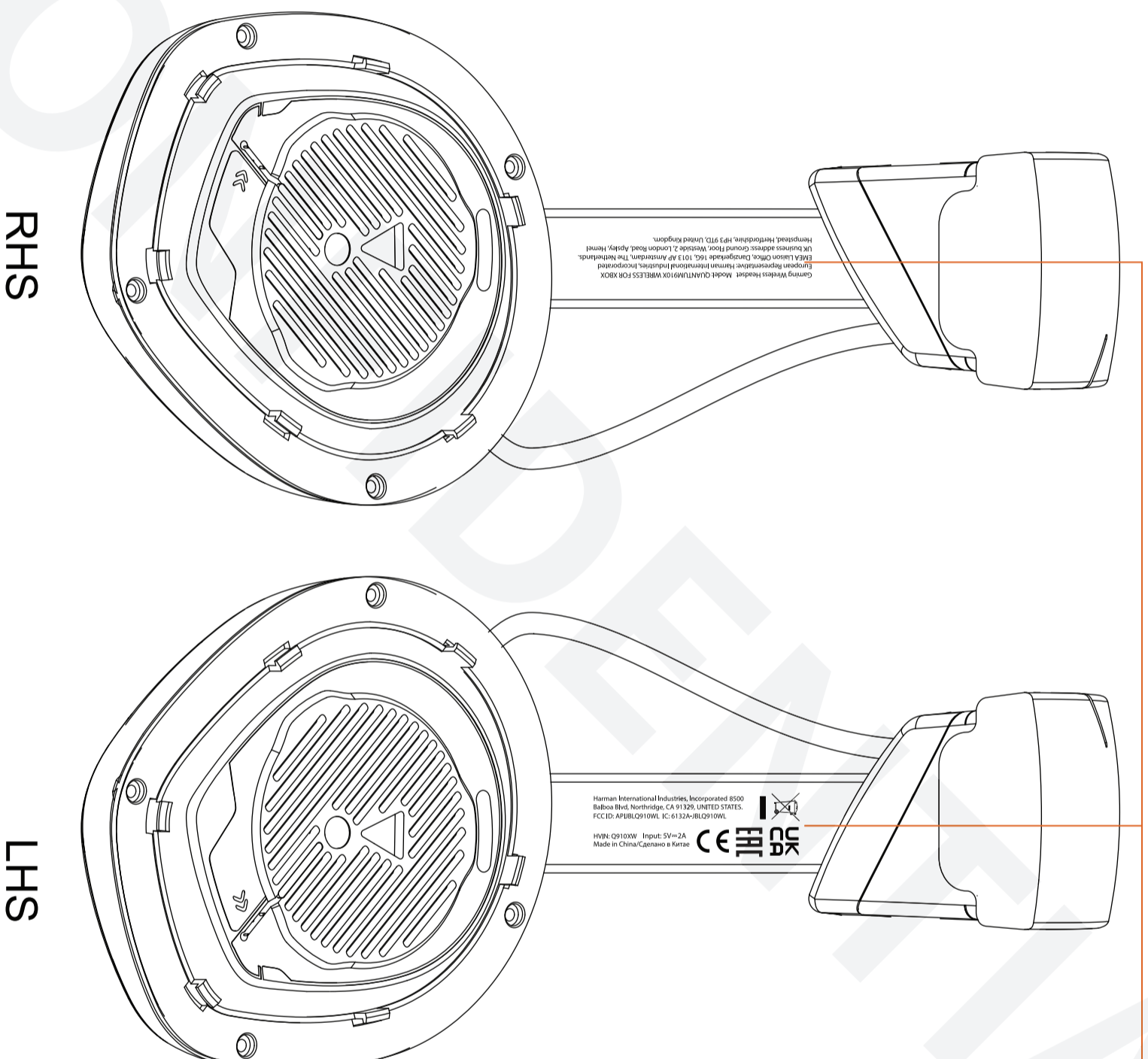




# JBL GAMING Q910X / COMPLIANCE ON SPEAKER COVER & SLIDER

Artworks - Scale 1:1 - Unit: mm



## SLIDER ARM COMPLIANCE

finishes: Laser etching

11.2 mm

UKA EHT CE  
 Harman International Industries, Incorporated 8500  
 Balboa Blvd, Northridge, CA 91329, UNITED STATES.  
 FCC ID: APUBLQ910WL, IC: 6132A-BLQ910WL

UKA EHT CE  
 Harman International Industries, Incorporated 8500  
 Balboa Blvd, Northridge, CA 91329, UNITED STATES.  
 FCC ID: APUBLQ910WL, IC: 6132A-BLQ910WL

Gaming Wireless Headset Model: Q910X WIRELESS FOR XBOX  
 European Representative: Harman International Industries, Incorporated  
 EMEA Liaison Office, Damaskstraat 16G, 1013 AP Amsterdam, The Netherlands.  
 UK Business Address: Ground Floor, Westside 2, London Road, Apsey, Hemel  
 Hempstead, Hertfordshire, HP3 9TD, United Kingdom.

RHS

LHS

7.2 mm

UKA EHT CE  
 Gaming Wireless Headset Model: Q910X WIRELESS FOR XBOX  
 European Representative: Harman International Industries, Incorporated  
 EMEA Liaison Office, Damaskstraat 16G, 1013 AP Amsterdam, The Netherlands.  
 UK Business Address: Ground Floor, Westside 2, London Road, Apsey, Hemel  
 Hempstead, Hertfordshire, HP3 9TD, United Kingdom.

RHS

LHS