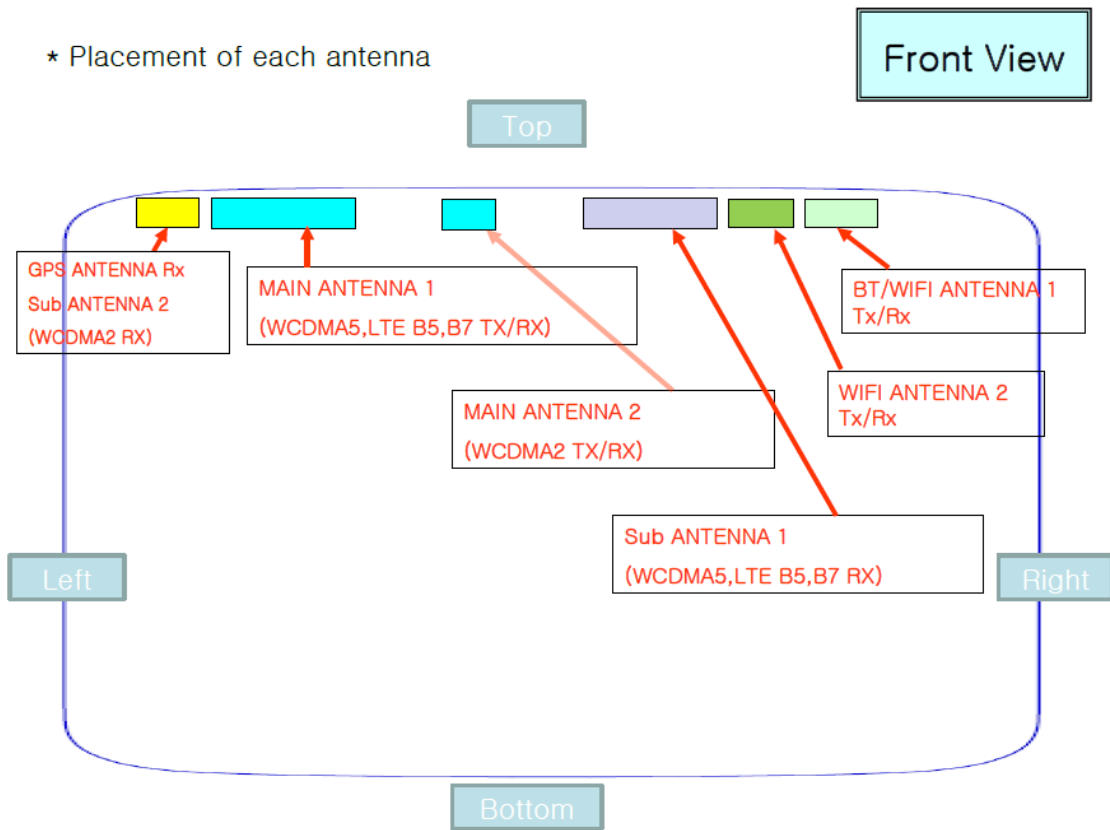
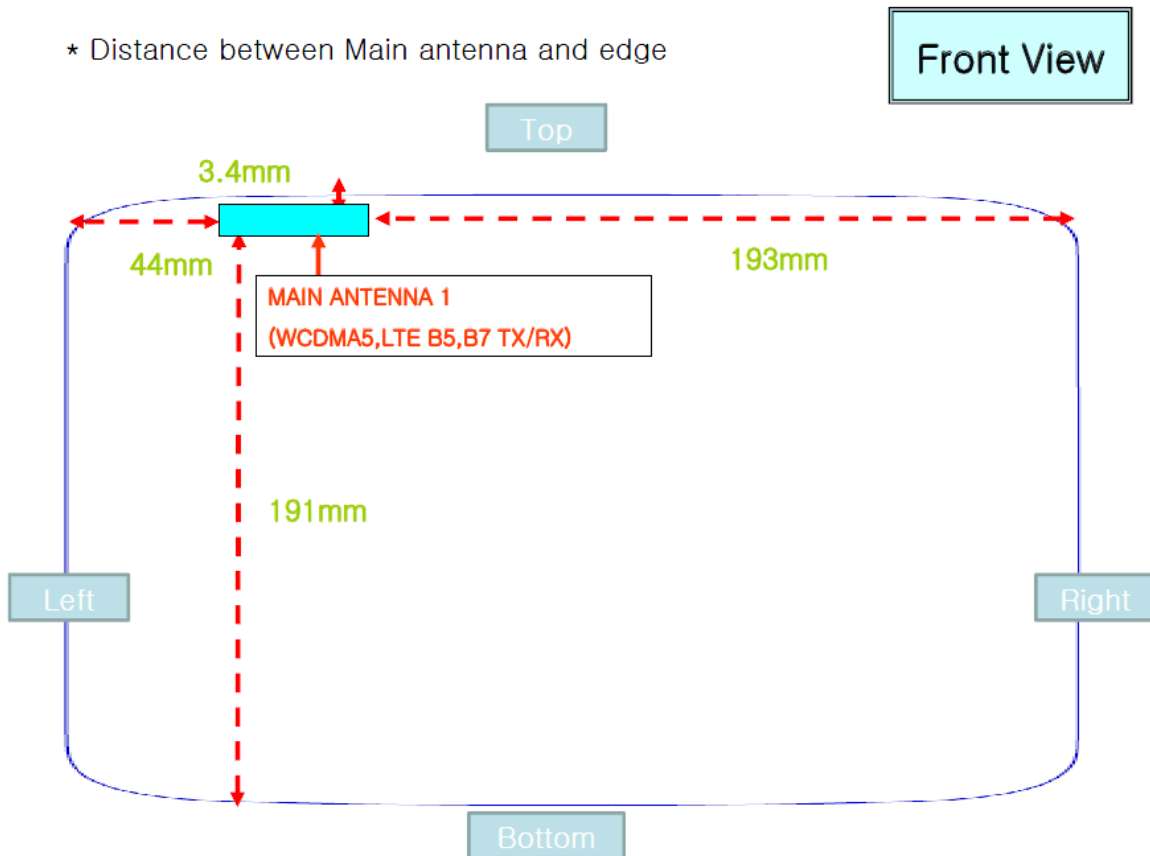


## Antenna and Device Information

\* Placement of each antenna

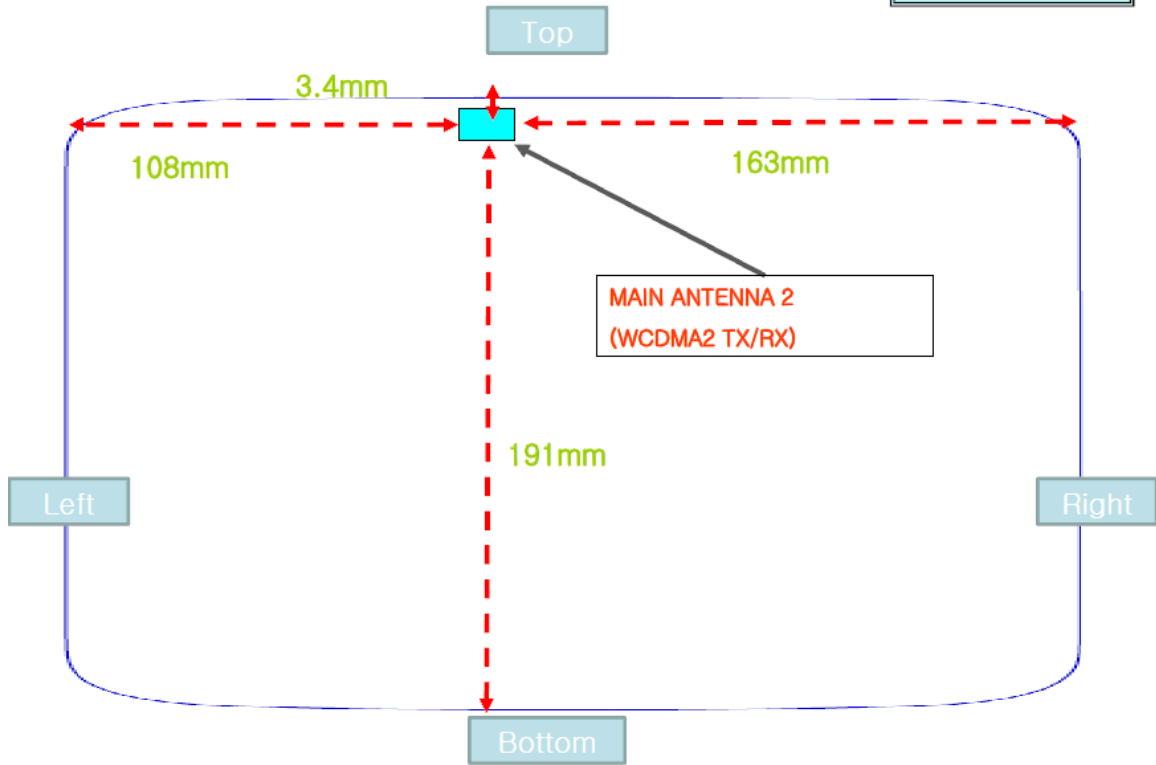


\* Distance between Main antenna and edge



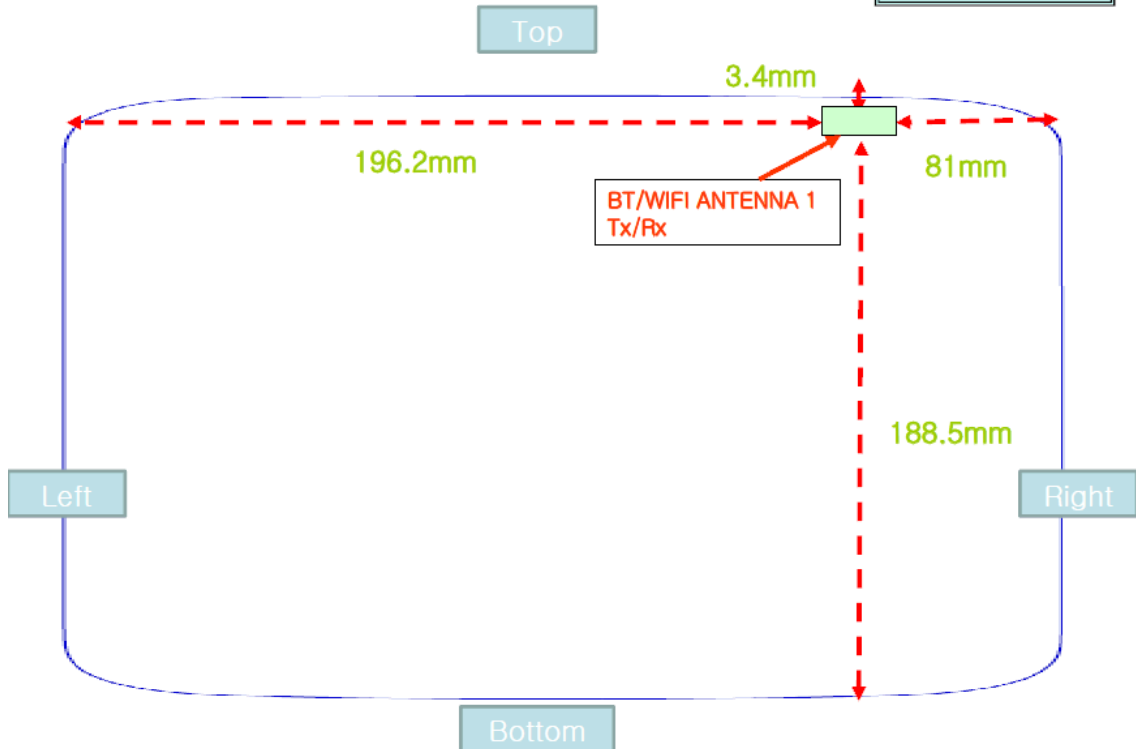
\* Distance between Main antenna and edge

**Front View**



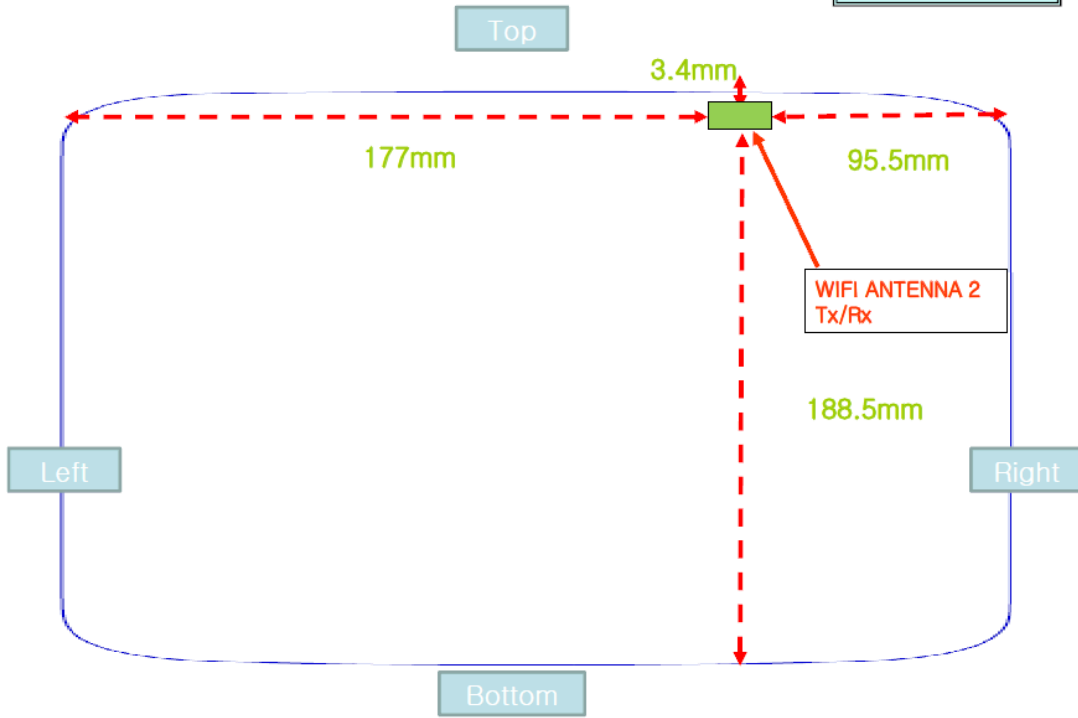
\* Distance between Bluetooth & WLAN antenna and edge

**Front View**



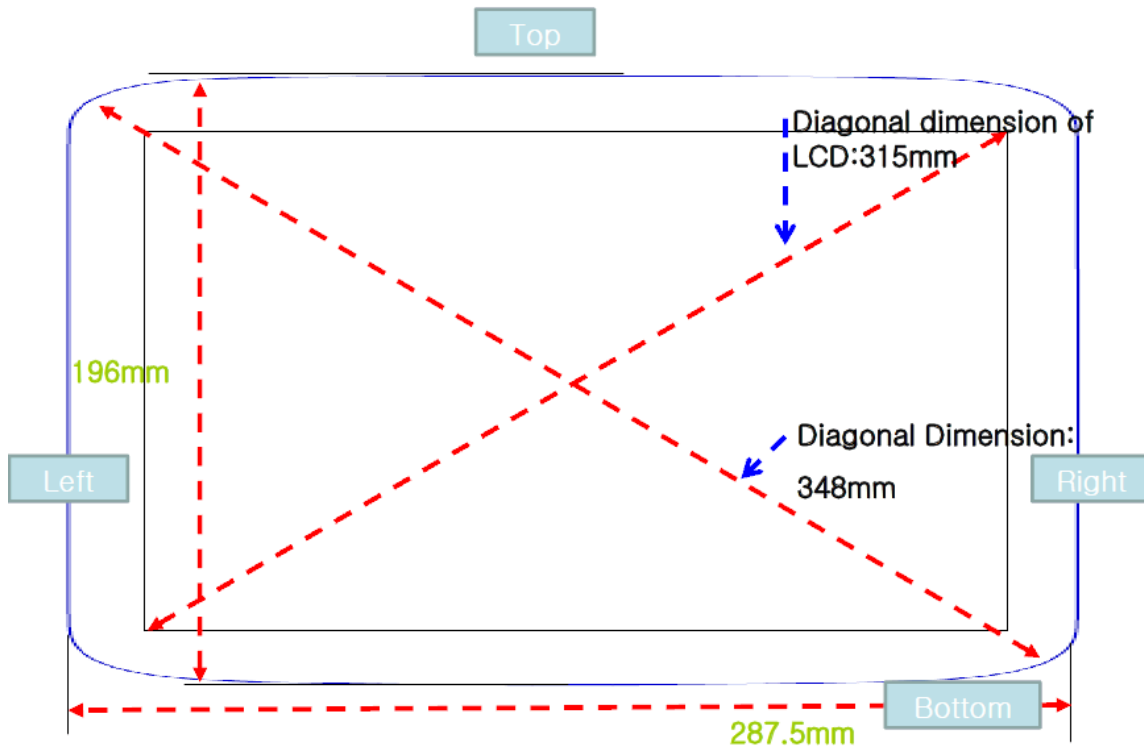
\* Distance between Bluetooth & WLAN antenna and edge

Front View



\* Diagonal dimension of LCD and device

Front View

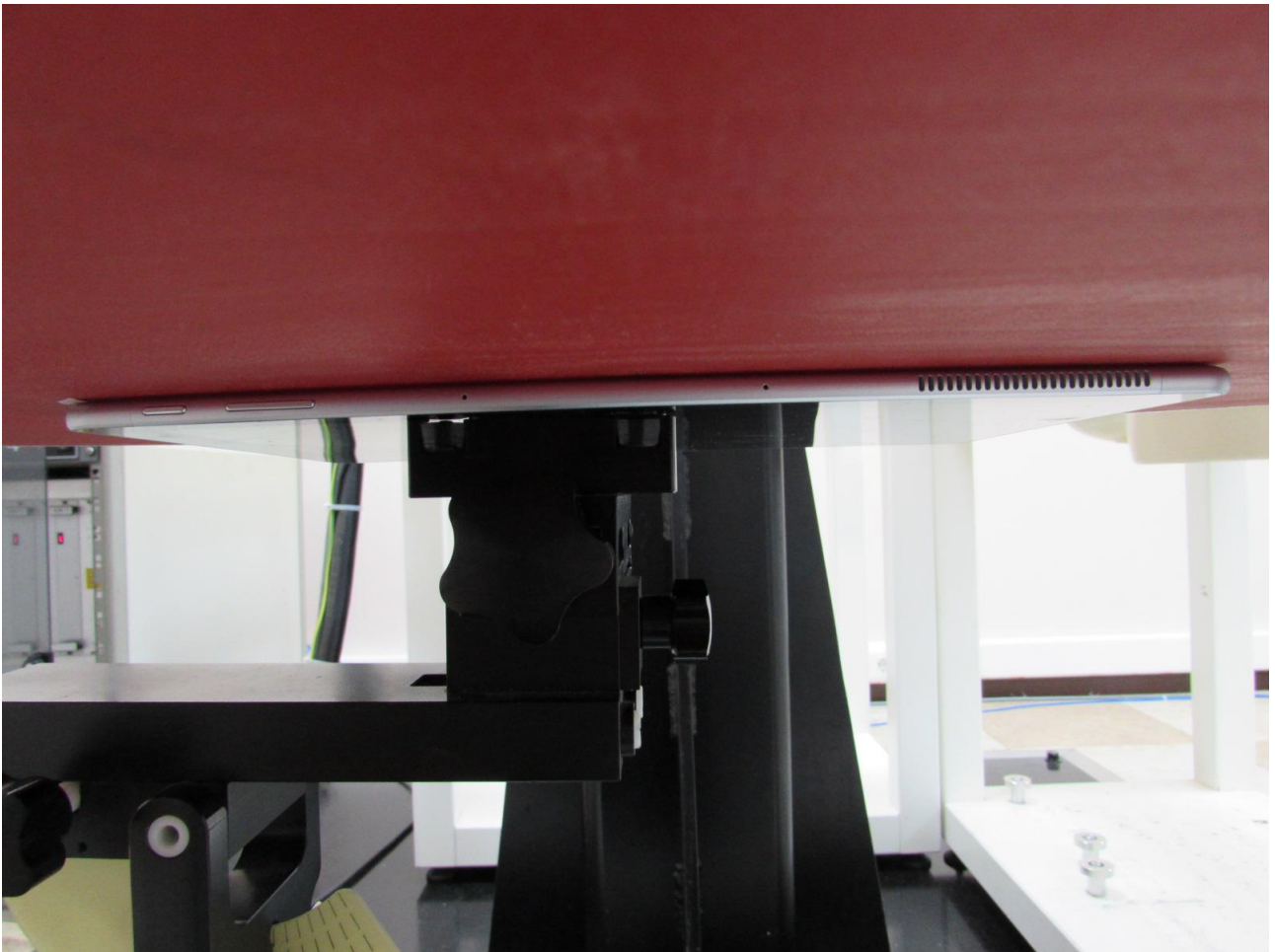


## SAR Test Setup Photographs

■ **Test Setup Photo (Body All)**



■ **Test Setup Photo (Rear)**



**[Distance of 0 mm from the EUT]**

■ **Test Setup Photo (Top)**



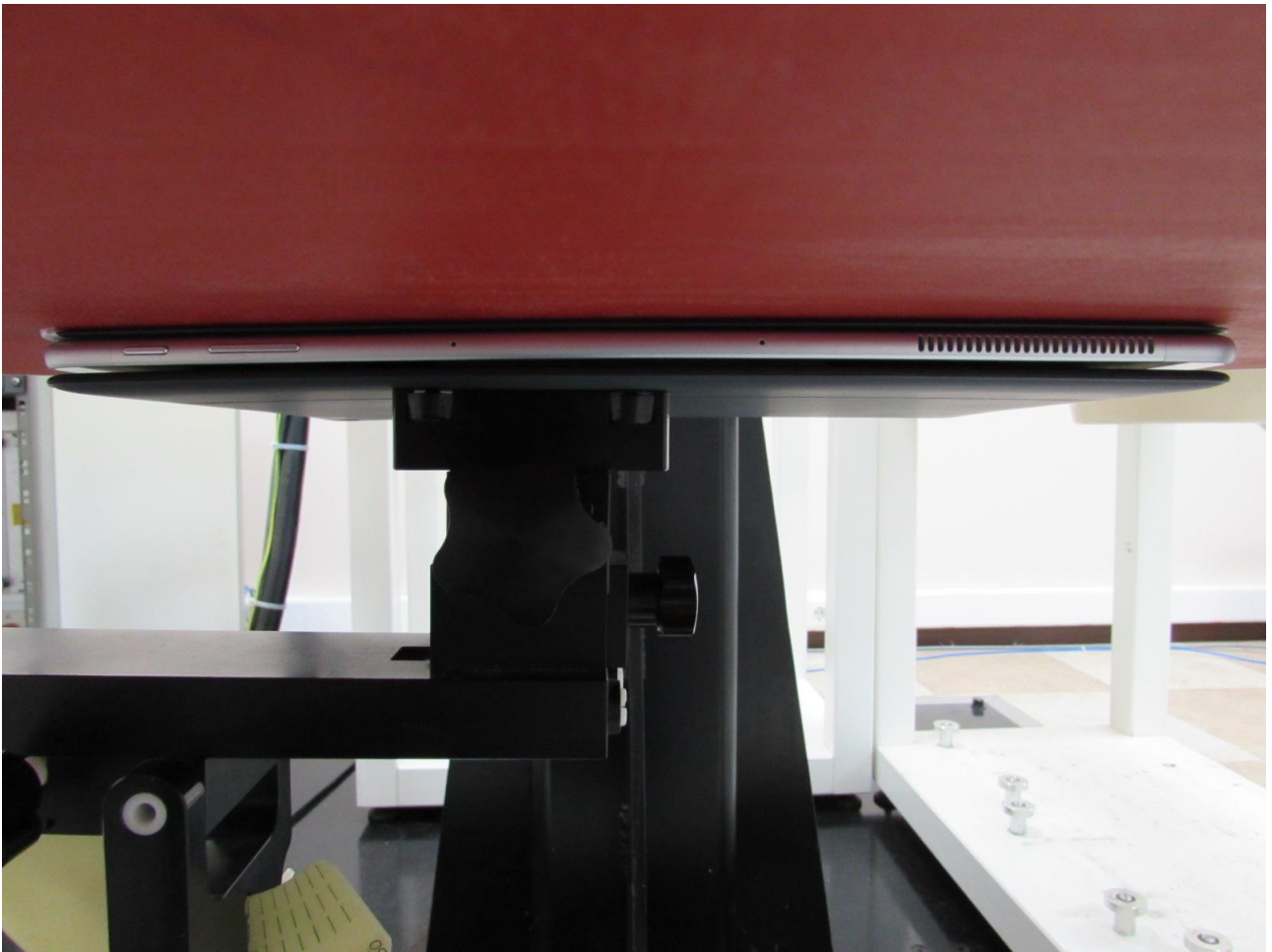
**[Distance of 0 mm from the EUT]**

■ **Test Setup Photo (Left)**



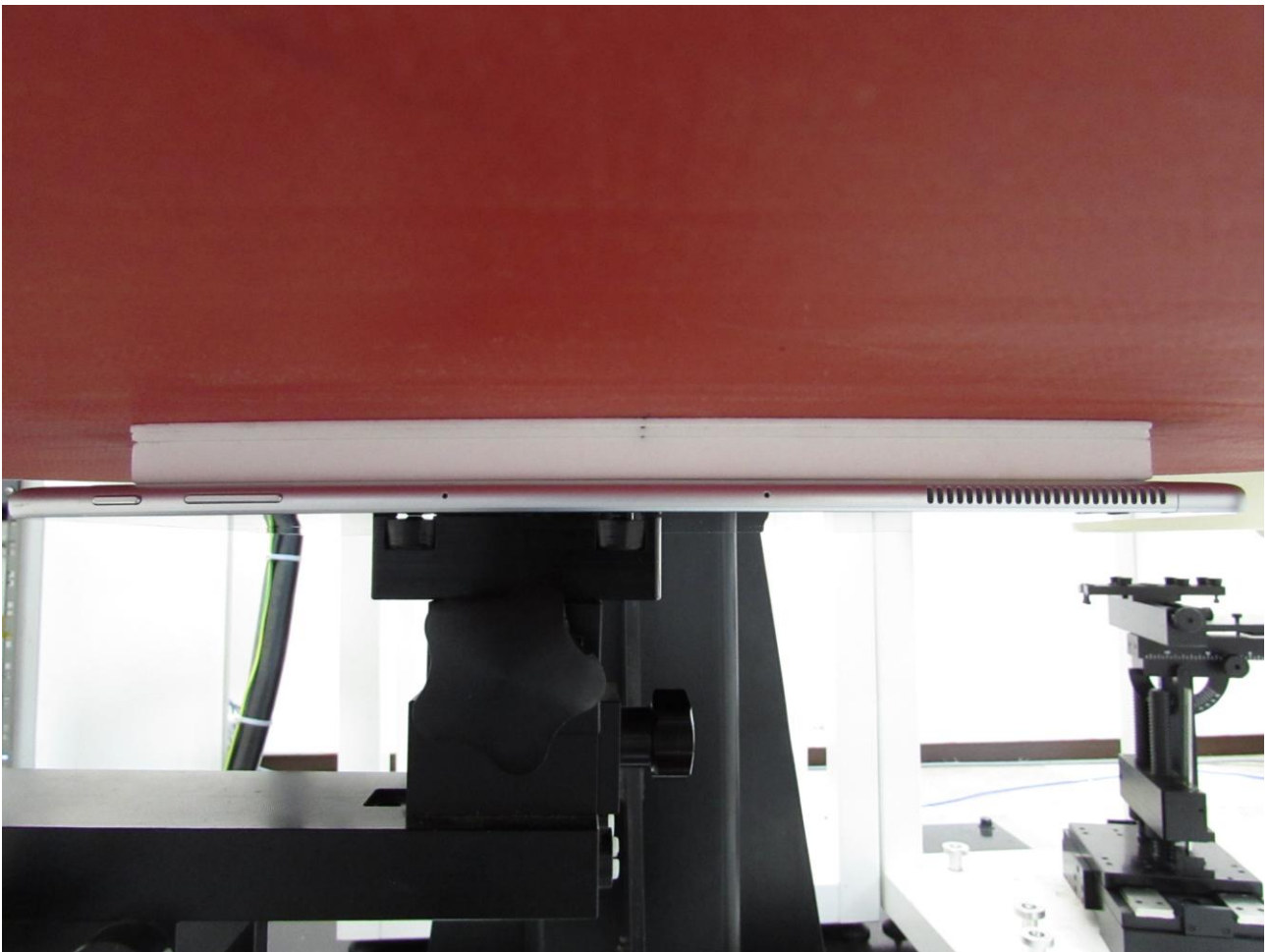
**[Distance of 0 mm from the EUT]**

■ **Test Setup Photo (Rear) (Keyboard cover)**



**[Distance of 0 mm from the EUT]**

■ **Test Setup Photo (Rear)**



**[Distance of 14 mm from the EUT]**

■ **Test Setup Photo (Top)**



**[Distance of 20 mm from the EUT]**

■ **Test Setup Photo (Rear) (Keyboard cover)**



**[Distance of 14 mm from the EUT]**

■ **Test Setup Photo (Rear)**



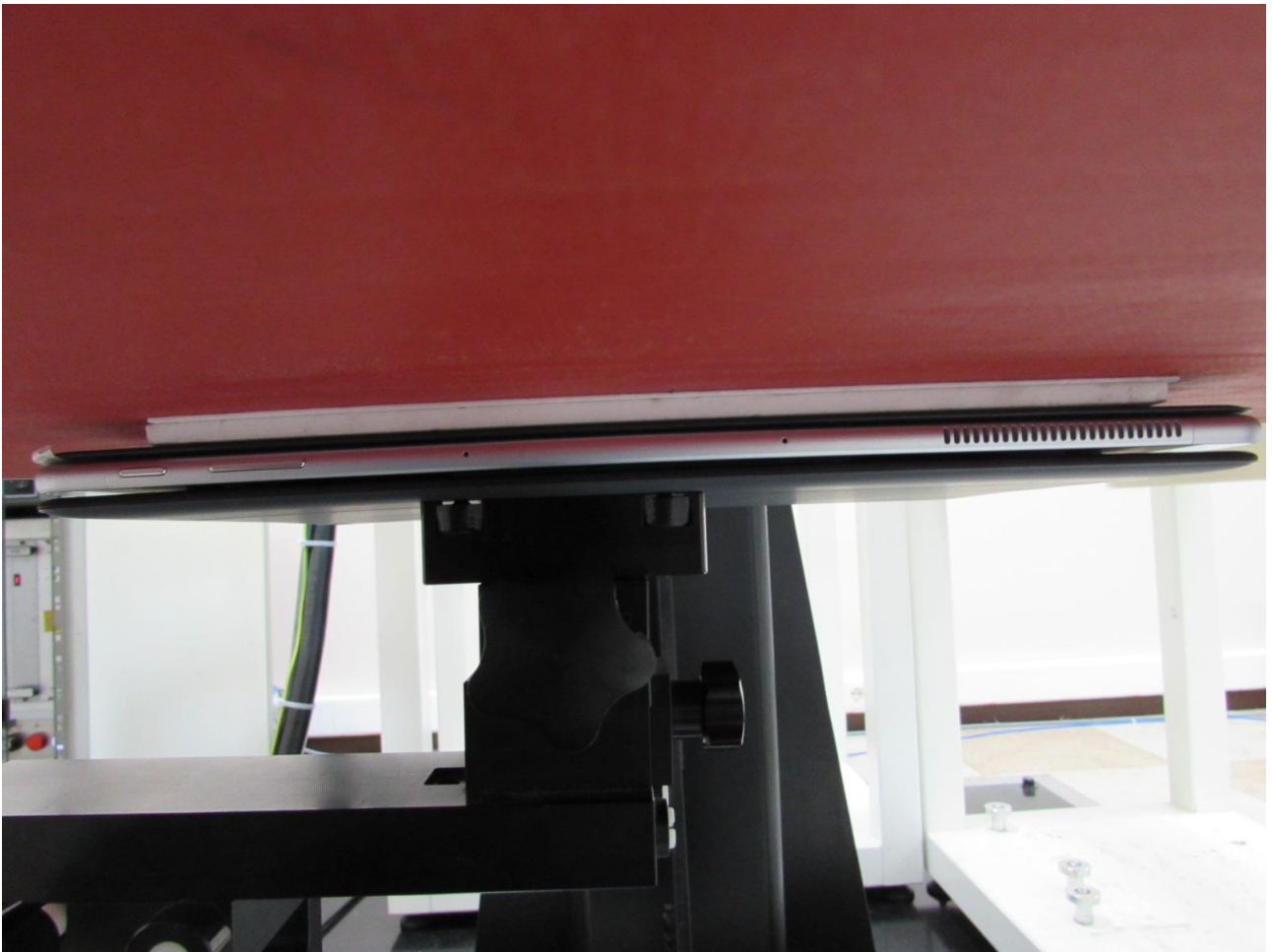
**[Distance of 6 mm from the EUT]**

■ **Test Setup Photo (Top)**



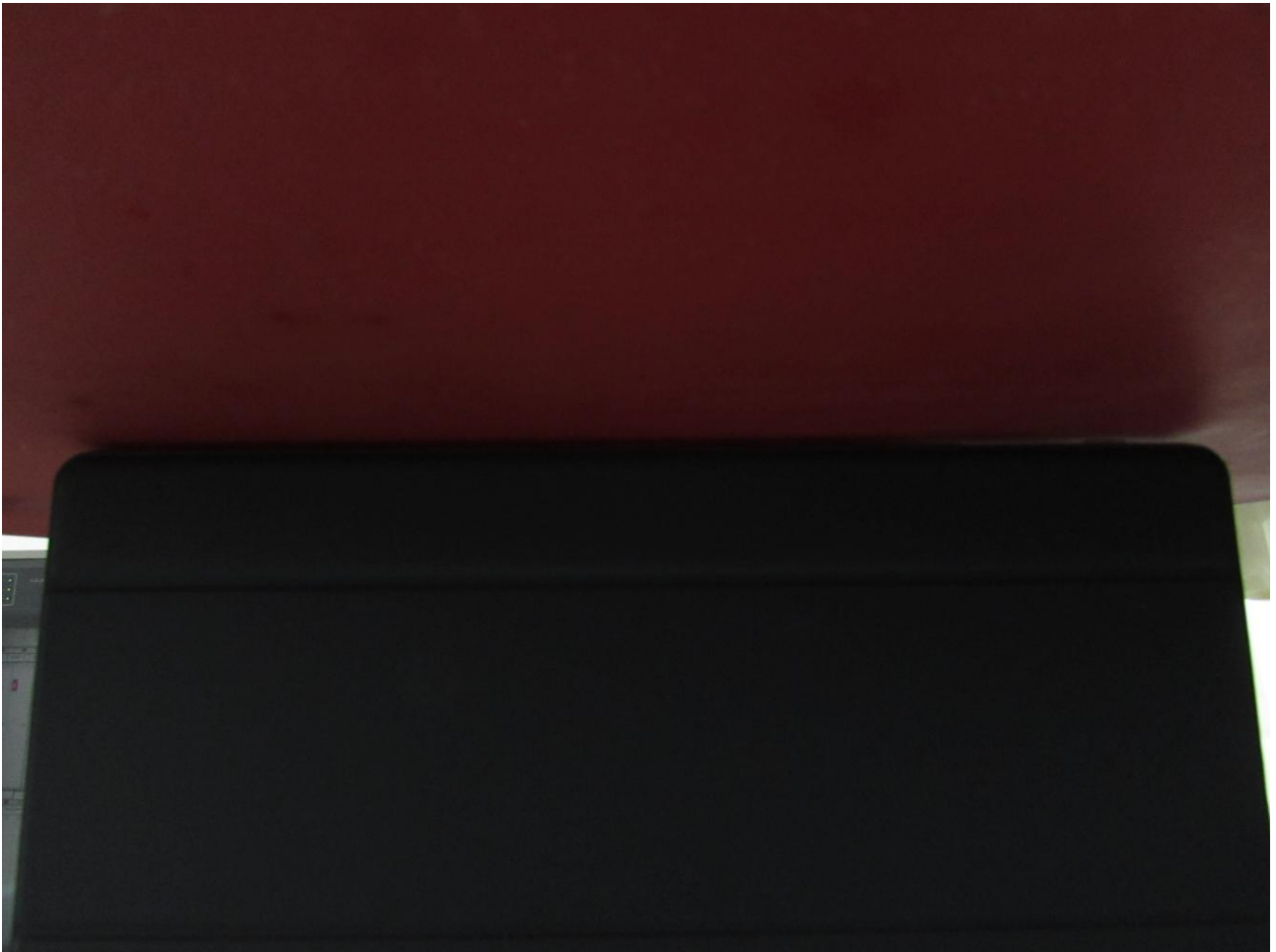
**[Distance of 6 mm from the EUT]**

■ **Test Setup Photo (Rear) (Keyboard cover)**



**[Distance of 6 mm from the EUT]**

■ **Test Setup Photo (Top) (Keyboard cover)**



**[Distance of 0 mm from the EUT]**

■ Spacer

