



**FCC CFR47 PART 22 SUBPART H  
FCC CFR47 PART 24 SUBPART E**

**CERTIFICATION TEST REPORT**

**FOR**

**GSM Tablet + Bluetooth, DTS b/g/n**

**MODEL NUMBER : SM-T561**

**FCC ID: A3LSMT561**

**REPORT NUMBER: 15K20424-E4**

**ISSUE DATE: APRIL 24, 2015**

*Prepared for*  
**SAMSUNG ELECTRONICS CO., LTD.  
129 SAMSUNG-RO, YEONGTONG-GU, SUWON-SI,  
GYEONGGI-DO, 443-742, KOREA**

*Prepared by*  
**UL Korea, Ltd. Suwon Laboratory  
218 Maeyeong-ro, Yeongtong-gu,  
Suwon-si, Gyeonggi-do, 443-823, Korea  
TEL: (031) 337-9902  
FAX: (031) 213-5433**



Revision History

<u>Rev.</u>	<u>Issue Date</u>	<u>Revisions</u>	<u>Revised By</u>
--	04/24/15	Initial issue	CY Choi

## TABLE OF CONTENTS

<b>1. ATTESTATION OF TEST RESULTS .....</b>	<b>5</b>
<b>2. TEST METHODOLOGY .....</b>	<b>6</b>
<b>3. FACILITIES AND ACCREDITATION .....</b>	<b>6</b>
<b>4. CALIBRATION AND UNCERTAINTY .....</b>	<b>6</b>
4.1. <i>MEASURING INSTRUMENT CALIBRATION .....</i>	<i>6</i>
4.2. <i>SAMPLE CALCULATION .....</i>	<i>6</i>
4.3. <i>MEASUREMENT UNCERTAINTY.....</i>	<i>6</i>
<b>5. EQUIPMENT UNDER TEST .....</b>	<b>7</b>
5.1. <i>DESCRIPTION OF EUT .....</i>	<i>7</i>
5.2. <i>MAXIMUM OUTPUT POWER (GSM).....</i>	<i>7</i>
5.3. <i>DESCRIPTION OF AVAILABLE ANTENNAS .....</i>	<i>8</i>
5.4. <i>DESCRIPTION OF TEST SETUP.....</i>	<i>8</i>
<b>6. TEST AND MEASUREMENT EQUIPMENT .....</b>	<b>10</b>
<b>7. Summary Table .....</b>	<b>11</b>
<b>8. RF POWER OUTPUT VERIFICATION .....</b>	<b>12</b>
8.1. <i>GSM/GPRS/EDGE .....</i>	<i>12</i>
8.1.1. <i>GSM OUTPUT POWER RESULT.....</i>	<i>13</i>
<b>9. PEAK TO AVERAGE RATIO .....</b>	<b>14</b>
9.1. <i>CONDUCTED PEAK TO AVERAGE RESULT.....</i>	<i>14</i>
9.2. <i>CONDUCTED PEAK TO AVERAGE PLOTS.....</i>	<i>15</i>
<b>10. LIMITS AND CONDUCTED RESULTS.....</b>	<b>16</b>
10.1. <i>OCCUPIED BANDWIDTH.....</i>	<i>16</i>
10.1.1. <i>OCCUPIED BANDWIDTH RESULTS.....</i>	<i>16</i>
10.1.2. <i>OCCUPIED BANDWIDTH PLOTS .....</i>	<i>17</i>
10.2. <i>BAND EDGE EMISSIONS .....</i>	<i>18</i>
10.2.1. <i>BAND EDGE PLOTS .....</i>	<i>19</i>
10.3. <i>OUT OF BAND EMISSIONS.....</i>	<i>20</i>
10.3.1. <i>OUT OF BAND EMISSIONS RESULT .....</i>	<i>20</i>
10.3.2. <i>OUT OF BAND EMISSIONS PLOTS.....</i>	<i>21</i>
10.1. <i>FREQUENCY STABILITY.....</i>	<i>22</i>
10.1.1. <i>FREQUENCY STABILITY RESULTS.....</i>	<i>23</i>
<b>11. RADIATED TEST RESULTS .....</b>	<b>25</b>

---

11.1.	<i>RADIATED POWER (ERP &amp; EIRP)</i> .....	25
11.1.1.	ERP/EIRP Results.....	25
11.1.2.	ERP/EIRP DATA.....	26
11.2.	<i>FIELD STRENGTH OF SPURIOUS RADIATION</i> .....	27
11.2.1.	SPURIOUS RADIATION PLOTS.....	28
12.	<b>SETUP PHOTOS</b> .....	<b>30</b>

# 1. ATTESTATION OF TEST RESULTS

**COMPANY NAME:** SAMSUNG ELECTRONICS CO., LTD.  
**EUT DESCRIPTION:** GSM Tablet + Bluetooth and DTS b/g/n  
**MODEL NUMBER:** SM-T561  
**SERIAL NUMBER:** R32G301WP2N (RADIATED); R32G301WPDV (CONDUCTED)  
**DATE TESTED:** MARCH 11 - APRIL 20, 2015

APPLICABLE STANDARDS	
STANDARD	TEST RESULTS
FCC PART 22H, 24E	Pass

UL Korea, Ltd. tested the above equipment in accordance with the requirements set forth in the above standards. All indications of Pass/Fail in this report are opinions expressed by UL Korea, Ltd. based on interpretations and/or observations of test results. Measurement Uncertainties were not taken into account and are published for informational purposes only. The test results show that the equipment tested is capable of demonstrating compliance with the requirements as documented in this report.

**Note:** The results documented in this report apply only to the tested sample, under the conditions and modes of operation as described herein. This document may not be altered or revised in any way unless done so by UL Korea, Ltd. and all revisions are duly noted in the revisions section. Any alteration of this document not carried out by UL Korea, Ltd. will constitute fraud and shall nullify the document. This report must not be used by the client to claim product certification, approval, or endorsement by IAS, any agency of the Federal Government, or any agency of any government.

Approved & Released For  
UL Korea, Ltd. By:

Tested By:



Ji Ho Choi  
Suwon Lab Manager  
UL Korea, Ltd.

CY Choi  
Suwon Lab Engineer  
UL Korea, Ltd.

## 2. TEST METHODOLOGY

The tests documented in this report were performed in accordance with TIA-603-C, FCC CFR 47 Part 22 and FCC CFR Part 24.

## 3. FACILITIES AND ACCREDITATION

The test sites and measurement facilities used to collect data are located at 218 Maeyeong-ro, Yeongtong-gu, Suwon-si, Gyeonggi-do, 443-823, Korea. Line conducted emissions are measured only at the 218 address. The following table identifies which facilities were utilized for radiated emission measurements documented in this report. Specific facilities are also identified in the test results sections.

218 Maeyeong-ro
<input checked="" type="checkbox"/> Chamber 1
<input type="checkbox"/> Chamber 2

UL Korea, Ltd. is accredited by IAS, Laboratory Code TL-637. The full scope of accreditation can be viewed at <http://www.iasonline.org/PDF/TL/TL-637.pdf>.

## 4. CALIBRATION AND UNCERTAINTY

### 4.1. MEASURING INSTRUMENT CALIBRATION

The measuring equipment utilized to perform the tests documented in this report has been calibrated in accordance with the manufacturer's recommendations, and is traceable to recognized national standards.

### 4.2. SAMPLE CALCULATION

Where relevant, the following sample calculation is provided:

$EIRP = PSA \text{ reading with EUT worst orientation (dBm)} + \text{Path loss (dB)} - \text{cable loss (between the SG and substitution antenna)} + \text{Substitution Antenna Factor (dBi)}$

$ERP = PSA \text{ reading with EUT worst orientation (dBm)} + \text{Path loss (dB)} - \text{cable loss (between the SG and substitution antenna)}$

(Path loss = Signal generator output – PSA reading with substitution antenna)

### 4.3. MEASUREMENT UNCERTAINTY

Where relevant, the following measurement uncertainty levels have been estimated for tests performed on the apparatus:

PARAMETER	UNCERTAINTY
Conducted Disturbance, 0.15 to 30 MHz	2.32 dB
Radiated Disturbance, Below 1GHz	4.14 dB
Radiated Disturbance, Above 1 GHz	5.97 dB

Uncertainty figures are valid to a confidence level of 95%.

## 5. EQUIPMENT UNDER TEST

### 5.1. DESCRIPTION OF EUT

The EUT is a GSM Tablet + Bluetooth and DTS b/g/n.

### 5.2. MAXIMUM OUTPUT POWER (GSM)

The transmitter has a maximum peak conducted and radiated ERP / EIRP output powers as follows:

FCC Part 22/24						
Band	Frequency Range(MHz)	Modulation Peak	Conducted		Radiated	
			Avg (dBm)	Avg (mW)	Avg (dBm)	Avg (mW)
GSM850	824~849	GMSK	32.58	1809.62		
		GPRS	32.58	1812.72	26.72	469.89
		EGPRS	RX only			
GSM1900	1850~1910	GMSK	29.32	855.09		
		GPRS	29.32	855.17	31.44	1393.16
		EGPRS	RX only			

### 5.3. DESCRIPTION OF AVAILABLE ANTENNAS

The radio utilizes a FPCB antenna for the [List the bands supported] with a maximum peak gain as follow:

Frequency (MHz)	Peak Gain (dBi)
GSM 850 / WCDMA Band 5 824 ~ 849 MHz	0.7
GSM 1900 1850 ~ 1910 MHz	5.5

### 5.4. DESCRIPTION OF TEST SETUP

#### SUPPORT EQUIPMENT

Support Equipment List				
Description	Manufacturer	Model	Serial Number	FCC ID
Charger	SAMSUNG	EP-TA12EWE	N/A	N/A
Data Cable	SAMSUNG	ECB-DU68WC	N/A	N/A
Earphone	SAMSUNG	GH59-11129H	N/A	N/A

#### I/O CABLES (CONDUCTED SETUP)

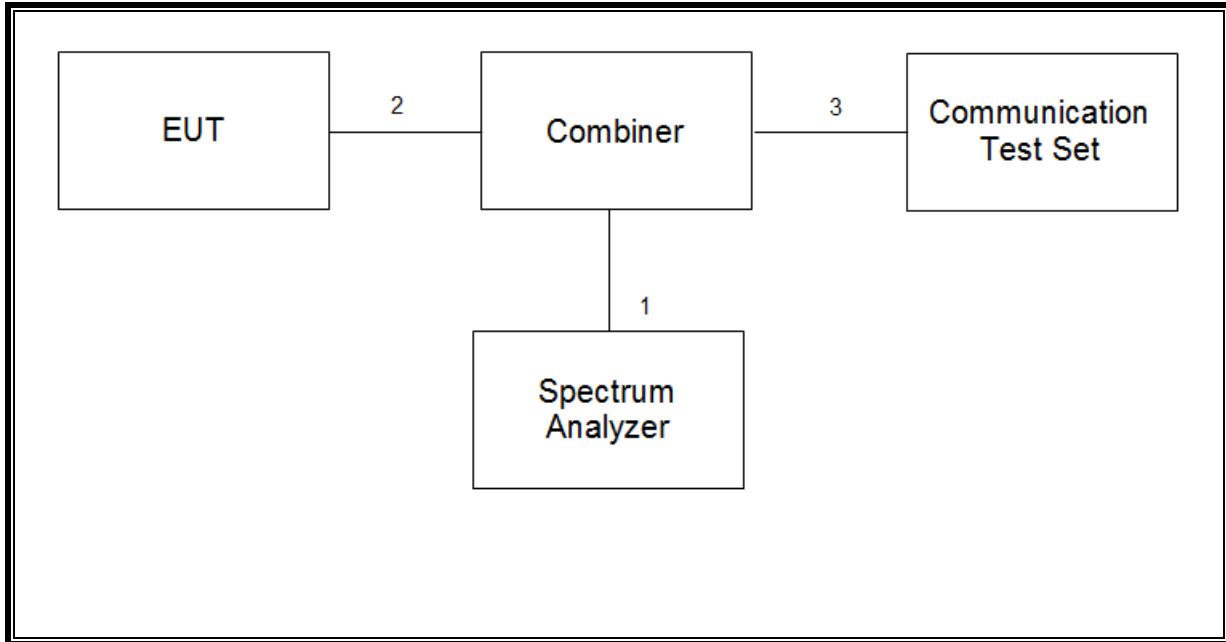
I/O Cable List						
Cable No	Port	# of identical ports	Connector Type	Cable Type	Cable Length (m)	Remarks
1	RF Out	1	Spectrum Analyzer	Shielded	0.2m	NA
2	Antenna Port	1	EUT	Shielded	0.3m	NA
3	RF In/Out	1	Communication Test Set	Shielded	0.5m	NA

#### I/O CABLES (RADIATED SETUP)

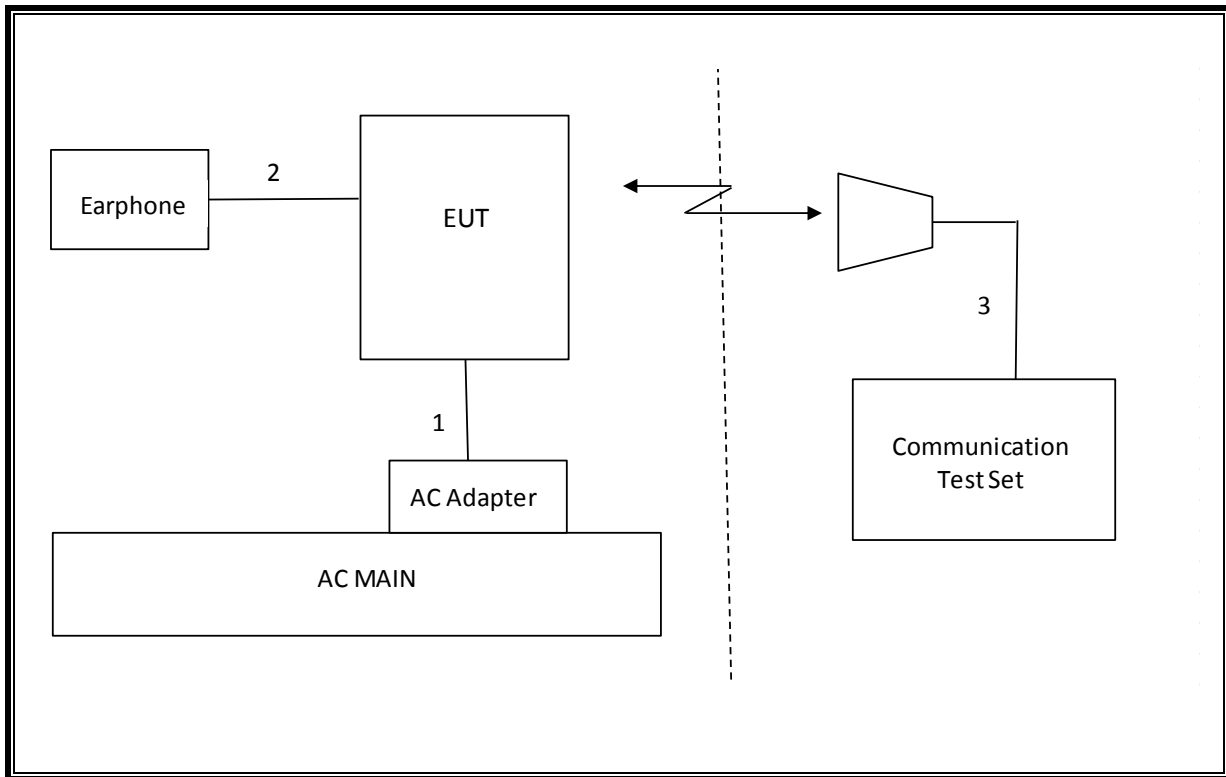
I/O Cable List						
Cable No	Port	# of identical ports	Connector Type	Cable Type	Cable Length (m)	Remarks
1	DC Power	1	Mini-USB	Shielded	0.8m	N/A
2	Audio	1	Mini-Jack	Unshielded	1.0m	N/A

The EUT is continuously communicated to the call box during the tests.

**SETUP DIAGRAM FOR TESTS (CONDUCTED TEST SETUP)**



**SETUP DIAGRAM FOR TESTS (RADIATED TEST SETUP)**



## 6. TEST AND MEASUREMENT EQUIPMENT

The following test and measurement equipment was utilized for the tests documented in this report:

Test Equipment List				
Description	Manufacturer	Model	S/N	Cal Due
Antenna, Tuned Dipole 400~1000 MHz	ETS	3121D DB4	00164753	07-29-11
Antenna, Bilog, 30MHz-1GHz	SCHWARZBECK	VULB9163	950	11-17-15
Antenna, Horn, 18 GHz	ETS	3115	00167211	09-20-15
Antenna, Horn, 40 GHz	ETS	3116C	00166255	09-23-15
Antenna, Horn, 40 GHz	ETS	3116C-PA	00168841	09-29-15
Preamplifier, 1000 MHz	Sonoma	310N	341282	11-17-15
Preamplifier, 18 GHz	Miteq	AFS42-00101800-25-S-42	1876511	11-18-15
Spectrum Analyzer, 44 GHz	Agilent / HP	N9030A	MY54170614	09-23-15
Communications Test Set	R&S	CMW500	150312	08-13-15
Average Power Sensor	R&S	NRZ-Z91	102681	11-17-15
Average Power Sensor	Agilent / HP	U2000	MY54270007	09-23-15
EMI Test Receive, 40 GHz	R&S	ESU40	100439	11-17-15
EMI Test Receive, 3 GHz	R&S	ESR3	101832	11-17-15
Attenuator / Switch driver	HP	11713A	3748A04272	N/A
Low Pass Filter 3GHz	Micro-Tronics	LPS17541	009	11-17-15
High Pass Filter 5GHz	Micro-Tronics	HPS17542	009	11-17-15
High Pass Filter 6GHz	Micro-Tronics	HPM17543	010	11-17-15
Combiner	WEINSCHTEL	1575	2153	11-17-15
Temperature Chamber	ESPEC	SH-642	93001109	11-13-15
DC Power Supply	Agilent / HP	E3640A	MY54226395	09-23-15

## 7. Summary Table

The FCC ID: A3LSMT561 and A3LSMT561Y have the same PCB design, all the chipset, component including antennas are same.

A3LSMT561 supports GSM 850 and GSM 1900 only.

After confirming through preliminary radiated emissions that the performance of the FCC ID: A3LSMT561 remains representative of FCC ID: A3LSMT561Y, test data for FCC ID: A3LSMT561Y is being submitted for this application to cover GSM850 and GSM1900 features.

FCC Part Section	Test Description	Test Limit	Test Condition	Test Result	Note
2.1049	Occupied Band width (99%)	N/A	Conducted	Pass	247.6 kHz
22.917(a) 24.238(a)	Band Edge / Conducted Spurious Emission	-13dBm		Pass	-21.65 dBm
2.1046	Conducted output power	N/A		Pass	32.58 dBm
22.355 24.235	Frequency Stability	2.5PPM		Pass	0.035PPM
22.913(a)(2)	Effective Radiated Power	38 dBm	Radiated	Pass	26.72 dBm
24.232(c)	Equivalent Isotropic Radiated Power	33dBm		Pass	31.44 dBm
22.917(a) 24.238(a)	Radiated Spurious Emission	-13dBm		Pass	-36.7 dBm

## 8. RF POWER OUTPUT VERIFICATION

### 8.1. GSM/GPRS/EDGE

Function: Menu select > GSM Mobile Station > GSM 850/900/1800/1900  
Press Connection control to choose the different menus  
Press RESET > choose all to reset all settings  
Connection Press Signal Off to turn off the signal and change settings  
Network Support > GSM+GPRS or GSM+EGPRS  
Main Service > Packet Data  
Service selection > Test Mode A – Auto Slot Config. off  
MS Signal Press Slot Config bottom on the right twice to select and change the number of time slots and power setting  
    > Slot configuration > Uplink/Gamma  
    > 33 dBm for GPRS 850/900  
    > 30 dBm for GPRS1800/1900  
BS Signal Enter the same channel number for TCH channel (test channel) and BCCH channel  
Frequency Offset > + 0 Hz  
Mode > BCCH and TCH  
BCCH Level > -85 dBm (May need to adjust if link is not stable)  
BCCH Channel > choose desire test channel [Enter the same channel number for TCH channel (test channel) and BCCH channel]  
Channel Type > Off  
P0> 4 dB  
Slot Config > Unchanged (if already set under MS Signal)  
TCH > choose desired test channel  
Hopping > Off  
Main Timeslot > 3 (Default)  
Network Coding Scheme > CS4 (GPRS) and MCS5 ~ MCS9 (EGPRS)  
Bit Stream > 2E9-1PSR Bit Pattern  
AF/RF Enter appropriate offsets for Ext. Att. Output and Ext. Att. Input  
Connection Press Signal On to turn on the signal and change settings

### 8.1.1. GSM OUTPUT POWER RESULT

#### GSM850 Measured Results

Band	Mode	Coding Scheme	Time Slots	Ch No.	Freq. (MHz)	Max. Power		with Pwr Back-off		
						Burst Pwr (dBm)	Frame Pwr (dBm)	Burst Pwr (dBm)	Frame Pwr (dBm)	
850	GSM (Voice)	CS1	1	128	824.2	32.6	23.5	26.9	17.9	
				190	836.6	32.5	23.4	27.0	18.0	
				251	848.8	32.5	23.5	27.1	18.1	
	GPRS (GMSK)	CS1	1	1	128	824.2	32.6	23.6	26.9	17.9
					190	836.6	32.5	23.5	27.0	18.0
					251	848.8	32.5	23.5	27.1	18.1
			2	1	128	824.2	31.0	25.0	24.9	18.9
					190	836.6	31.0	25.0	25.0	19.0
					251	848.8	31.1	25.1	25.1	19.1
			3	1	128	824.2	28.9	24.7	23.0	18.7
					190	836.6	29.0	24.8	23.1	18.8
					251	848.8	29.1	24.8	23.2	18.9
			4	1	128	824.2	26.9	23.9	20.9	17.9
					190	836.6	27.0	24.0	21.1	18.1
					251	848.8	27.1	24.1	21.2	18.2

EGPRS(8PSK) is Rx only

#### GSM1900 Measured Results

Band	Mode	Coding Scheme	Time Slots	Ch No.	Freq. (MHz)	Max. Power		with Pwr Back-off		
						Burst Pwr (dBm)	Frame Pwr (dBm)	Burst Pwr (dBm)	Frame Pwr (dBm)	
1900	GSM (Voice)	CS1	1	512	1850.2	29.1	20.0	22.1	13.1	
				661	1880.0	29.3	20.3	22.2	13.1	
				810	1909.8	29.1	20.1	22.1	13.0	
	GPRS (GMSK)	CS1	1	1	512	1850.2	29.1	20.0	22.1	13.1
					661	1880.0	29.3	20.3	22.1	13.1
					810	1909.8	29.1	20.1	22.1	13.0
			2	1	512	1850.2	26.8	20.7	20.1	14.1
					661	1880.0	26.8	20.8	20.2	14.2
					810	1909.8	26.7	20.7	20.1	14.1
			3	1	512	1850.2	24.2	19.9	18.1	13.8
					661	1880.0	24.2	20.0	18.1	13.9
					810	1909.8	24.2	19.9	18.0	13.7
			4	1	512	1850.2	22.3	19.2	17.1	14.1
					661	1880.0	22.3	19.3	17.1	14.1
					810	1909.8	22.2	19.2	17.1	14.0

EGPRS(8PSK) is Rx only

## 9. PEAK TO AVERAGE RATIO

### Test Procedure

Per KDB 971168 D01 Power Meas License Digital Systems v02r02;

The transmitter output was connected to a CMW500 Test Set and configured to operate at maximum power. The PAR were measured on the Spectrum Analyzer.

### Test Spec

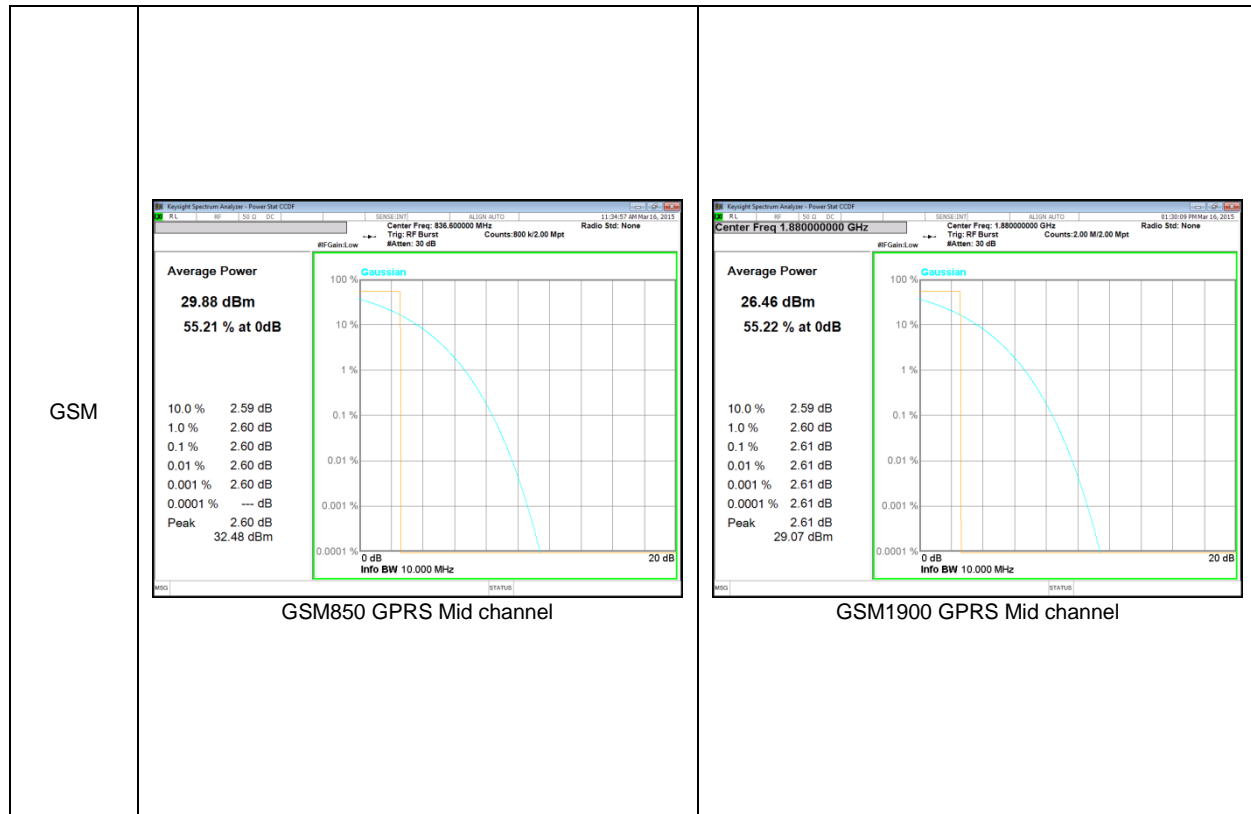
In addition, when the transmitter power is measured in terms of average value, the peak-to-average ratio of the power shall not exceed 13 dB.

### 9.1. CONDUCTED PEAK TO AVERAGE RESULT

#### GSM

Band	Channel	f [MHz]	Mode	Ratio [dB]	Limit [dB]
GSM850	190	836.6	GPRS	2.60	13.00
			EGPRS	RX only	
GSM1900	661	1880.0	GPRS	2.61	
			EGPRS	RX only	

## 9.2. CONDUCTED PEAK TO AVERAGE PLOTS



## 10. LIMITS AND CONDUCTED RESULTS

### 10.1. OCCUPIED BANDWIDTH

#### RULE PART(S)

FCC: §2.1049

#### LIMITS

For reporting purposes only

#### TEST PROCEDURE

The transmitter output was connected to a calibrated coaxial cable and coupler, the other end of which was connected to a spectrum analyzer. The occupied bandwidth was measured with the spectrum analyzer at the low, middle and high channel in each band. The -26dB bandwidth was also measured and recorded.

(KDB 971168 D01 Power Meas License Digital Systems v02r02)

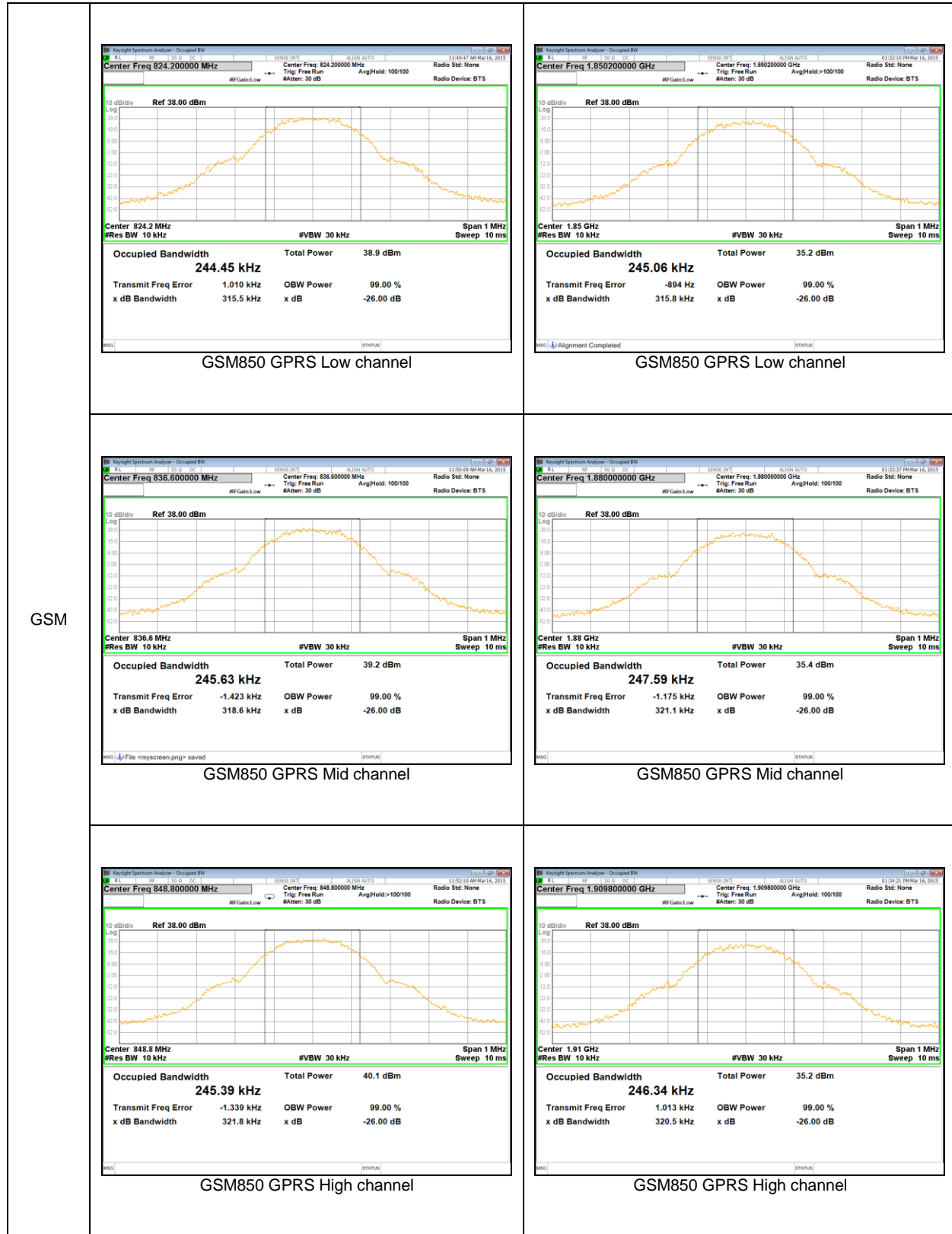
#### 10.1.1. OCCUPIED BANDWIDTH RESULTS

#### GSM

Band	Mode	Channel	f [MHz]	99% BW [KHz]	26dB BW [KHz]
GSM850	GPRS	128	824.2	244.5	315.5
		190	836.6	245.6	318.6
		251	848.8	245.4	321.8
GSM1900	GPRS	512	1850.2	245.1	315.8
		661	1880.0	247.6	321.1
		810	1909.8	246.3	320.5

## 10.1.2. OCCUPIED BANDWIDTH PLOTS

### GSM



## 10.2. BAND EDGE EMISSIONS

### RULE PART(S)

FCC: §22.359, §24.238

### LIMITS

The power of any emission outside of the authorized operating frequency ranges must be attenuated below the transmitting power (P) by a factor of at least  $43 + 10 \log (P)$  dB.

### TEST PROCEDURE

Per KDB 971168 D01 Power Meas License Digital Systems v02r02

The transmitter output was connected to a CMW500 Test Set and configured to operate at maximum power. The band edge emissions were measured at the required operating frequencies in each band on the Spectrum Analyzer.

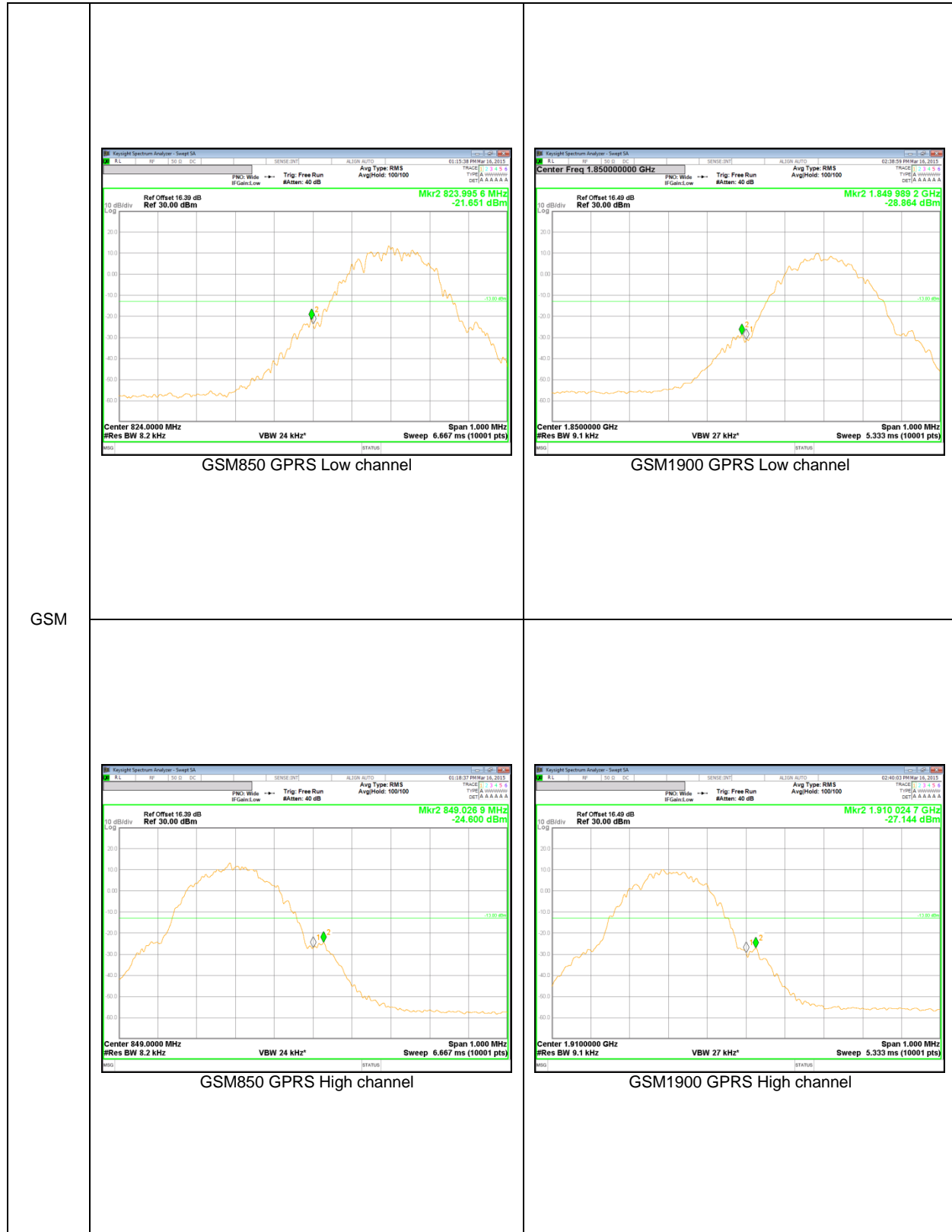
### RESULTS

#### GSM

Band	Mode	Side	f [MHz]	Level [dBm]	Limit [dBm]
GSM850	GPRS	Lower	823.9956	-21.65	-13.00
		Upper	849.0269	-24.60	
GSM1900	GPRS	Lower	1849.9892	-28.86	
		Upper	1910.0247	-27.14	

### 10.2.1. BAND EDGE PLOTS

#### GSM



### 10.3. OUT OF BAND EMISSIONS

#### RULE PART(S)

FCC: §2.1051, §22.901, §22.917, §24.238

#### LIMITS

The power of any emission outside of the authorized operating frequency ranges must be attenuated below the transmitting power (P) by a factor of at least  $43 + 10 \log (P)$  dB.

#### TEST PROCEDURE

Per KDB 971168 D01 Power Meas License Digital Systems v02r02

The RF output of the transmitter was connected to a spectrum analyzer through a calibrated coaxial cable. Sufficient scans were taken to show the out-of-band Emissions, if any, up to 10th harmonic. Multiple sweeps were recorded in maximum hold mode using a peak detector to ensure that the worst-case emissions were caught.

#### RESULTS

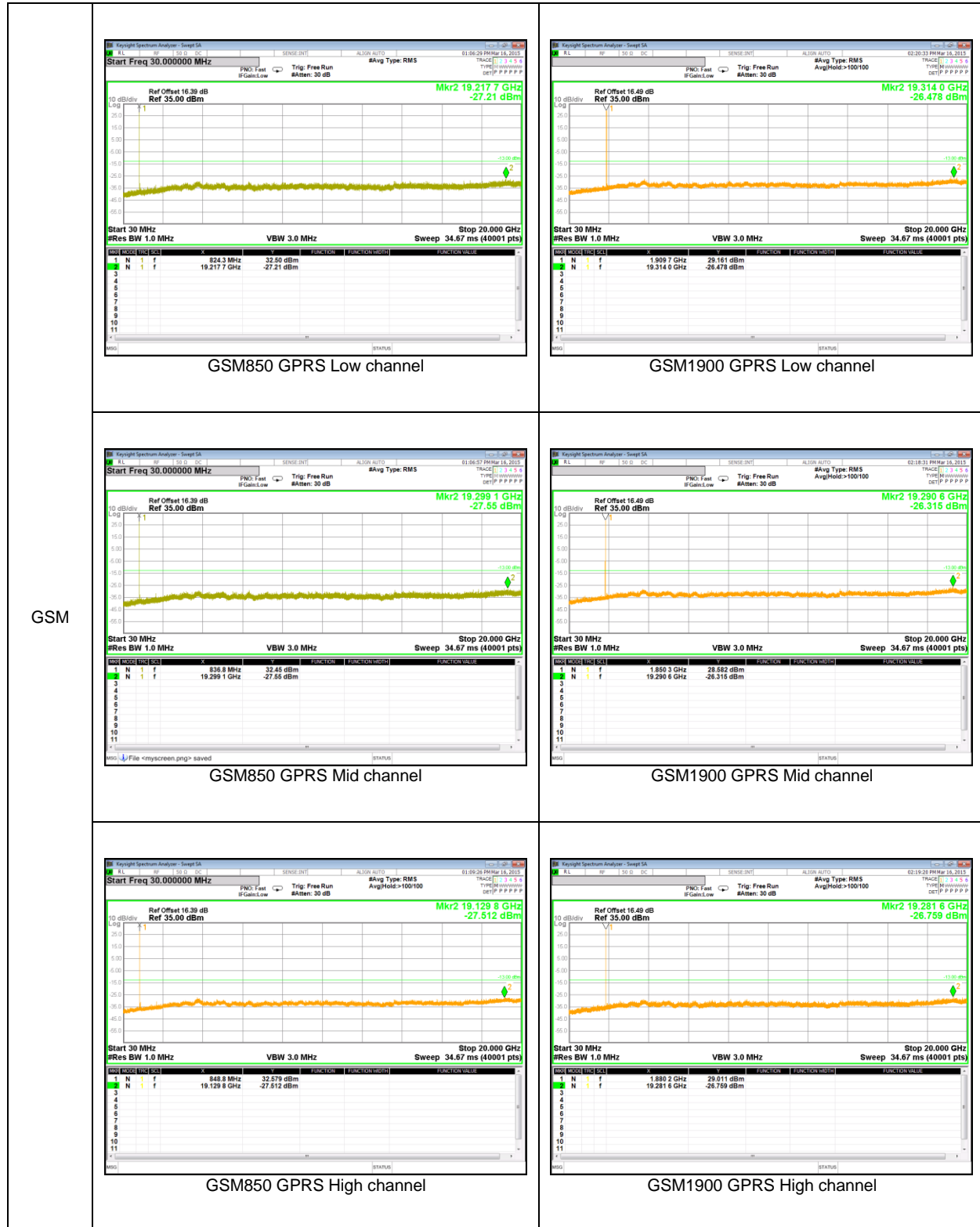
##### 10.3.1. OUT OF BAND EMISSIONS RESULT

#### GSM

Band	Mode	f [MHz]	Spurious [dBm]	Limit [dBm]	Margin [dB]
GSM850	GPRS	824.2	-27.21	-13.00	14.21
		836.6	-27.55		14.55
		848.8	-27.51		14.51
GSM1900	GPRS	1850.2	-26.48		13.48
		1880.0	-26.32		13.32
		1909.8	-26.76		13.76

### 10.3.2. OUT OF BAND EMISSIONS PLOTS

#### GSM



## **10.1. FREQUENCY STABILITY**

### **RULE PART(S)**

FCC: §2.1055, §22.355, §24.235

### **LIMITS**

§22.355 - The carrier frequency shall not depart from the reference frequency in excess of  $\pm 2.5$  ppm for mobile stations.

§24.235 - The frequency stability shall be sufficient to ensure that the fundamental emission stays within the authorized frequency block.

### **TEST PROCEDURE**

Per KDB 971168 D01 Power Meas License Digital Systems v02r02

### **RESULTS**

See the following pages.

### 10.1.1. FREQUENCY STABILITY RESULTS

#### GSM 850, Channel 190, Frequency 836.6 MHz

Reference Frequency: GSM 850 Mid Channel 836.6 MHz @ 20°C				
Limit: +- 2.5 ppm = 2091.500 Hz				
Power Supply (Vdc)	Environment Temperature (*C)	Frequency Deviation Measured with Time Elapse		
		(MHz)	Delta (ppm)	Limit (ppm)
3.80	50	836.59998386	0.030	2.5
3.80	40	836.60000981	-0.001	2.5
3.80	30	836.59998589	0.028	2.5
<b>3.80</b>	<b>20</b>	836.60000933	<b>0</b>	<b>2.5</b>
3.80	10	836.60001124	-0.002	2.5
3.80	0	836.60000898	0.000	2.5
3.80	-10	836.59999025	0.023	2.5
3.80	-20	836.59998906	0.024	2.5
3.80	-30	836.59998957	0.024	2.5

Reference Frequency: GSM 850 Mid Channel 836.6 MHz @ 20°C				
Limit: +- 2.5 ppm = 2091.250 Hz				
Power Supply (Vdc)	Environment Temperature (*C)	Frequency Deviation Measured with Time Elapse		
		(MHz)	Delta (ppm)	Limit (ppm)
<b>3.80</b>	<b>20</b>	<b>836.60000933</b>	<b>0</b>	<b>2.5</b>
4.20	20	836.59999093	0.022	2.5
3.40	20	836.60000736	0.002	2.5

**GSM 1900, Channel 661, Frequency 1880 MHz**

Reference Frequency: GSM 1900 Mid Channel 1880 MHz @ 20°C				
Limit: +/- 2.5 ppm = 4700.000 Hz				
Power Supply (Vdc)	Environment Temperature (*C)	Frequency Deviation Measured with Time Elapse		
		(MHz)	Delta (ppm)	Limit (ppm)
3.80	50	1879.99994324	0.021	2.5
3.80	40	1880.00002735	-0.023	2.5
3.80	30	1879.99996268	0.011	2.5
<b>3.80</b>	<b>20</b>	1879.99998324	<b>0</b>	<b>2.5</b>
3.80	10	1879.99997043	0.007	2.5
3.80	0	1879.99994870	0.018	2.5
3.80	-10	1880.00004966	-0.035	2.5
3.80	-20	1879.99994050	0.023	2.5
3.80	-30	1879.99994737	0.019	2.5

Reference Frequency: GSM 1900 Mid Channel 1880 MHz @ 20°C				
Limit: +/- 2.5 ppm = 4700.000 Hz				
Power Supply (Vdc)	Environment Temperature (*C)	Frequency Deviation Measured with Time Elapse		
		(MHz)	Delta (ppm)	Limit (ppm)
<b>3.80</b>	<b>20</b>	<b>1879.99998324</b>	<b>0</b>	<b>2.5</b>
4.20	20	1879.99998195	0.001	2.5
3.40	20	1880.00001317	-0.016	2.5

## 11. RADIATED TEST RESULTS

### 11.1. RADIATED POWER (ERP & EIRP)

#### RULE PART(S)

FCC: §2.1046, §22.913, §24.232

#### LIMITS

22.913(a) - The ERP of mobile transmitters and auxiliary test transmitters must not exceed 7 Watts.

24.232(c) - Mobile/portable stations are limited to 2 watts e.i.r.p. peak power and the equipment must employ means to limit the power to the minimum necessary for successful communications.

In addition, when the transmitter power is measured in terms of average value, the peak-to-average ratio of the power shall not exceed 13dB.

#### TEST PROCEDURE

ANSI / TIA / EIA 603C Clause 2.2.17; MXA setting reference to 971168 D01 v02r02

For peak power measurement with a PSA:

a) Set the RBW  $\geq$  OBW; b) Set VBW  $\geq 3 \times$  RBW; c) Set span  $\geq 2 \times$  RBW; d) Sweep time = auto couple; e) Detector = peak; f) Ensure that the number of measurement points  $\geq$  span/RBW; g) Trace mode = max hold;

For average power measurement with a PSA:

a) Set span to at least 1.5 times the OBW; b) Set RBW = 1-5% of the OBW, not to exceed 1 MHz; c) Set VBW  $\geq 3 \times$  RBW; d) Set number of points in sweep  $\geq 2 \times$  span / RBW; e) Sweep time = auto-couple; f) Detector = RMS (power averaging); g) Use free run trigger If burst duty cycle  $\geq 98$ ; h) Use trigger to capture bursts If burst duty cycle  $< 98$ ; i) Trace average at least 100 traces in power averaging (*i.e.*, RMS) mode. j) Compute the power by integrating the spectrum across the OBW of the signal using the instrument's band power measurement function.

#### TEST RESULTS

##### 11.1.1. ERP/EIRP Results

#### GSM

Band	Mode	Channel	f [MHz]	ERP / EIRP	
				[dBm]	[mW]
GSM850	GPRS	512	824.2	25.92	390.4
		661	836.6	26.21	417.3
		810	848.8	26.72	469.6
GSM1900	GPRS	512	1850.2	30.70	1174.4
		661	1880.0	31.44	1393.2
		810	1909.8	31.10	1289.1

**11.1.2. ERP/EIRP DATA**

GSM  Band GSM850 GPRS	<b>High Frequency Substitution Measurement</b> <b>UL Korea, Ltd. Suwon Laboratory Chamber 1</b>																																																																																									
	<p> <b>Company:</b> Samsung  <b>Project #:</b> 15K20294  <b>Date:</b> March 11, 2015  <b>Test Engineer:</b> Steven.Kim  <b>Configuration:</b> EUT ONLY, X Position  <b>Mode:</b> GPRS 850 MHz                 </p> <p> <b>Test Equipment:</b>                      Receiving: VULB9163-750, and 3m Chamber N-type Cable (Setup this one for testing EUT)                      Substitution: Dipole S/N: 00164753, 3m SMA Cable Warehouse.                 </p> <table border="1"> <thead> <tr> <th>f MHz</th> <th>SG reading (dBm)</th> <th>Ant. Pol. (H/V)</th> <th>Cable Loss (dB)</th> <th>Antenna Gain (dBd)</th> <th>ERP (dBm)</th> <th>Limit (dBm)</th> <th>Margin (dB)</th> <th>Notes</th> </tr> </thead> <tbody> <tr> <td colspan="9">Low Ch</td> </tr> <tr> <td>824.20</td> <td>22.47</td> <td>V</td> <td>1.1</td> <td>-1.6</td> <td>19.85</td> <td>38.5</td> <td>-18.6</td> <td></td> </tr> <tr> <td>824.20</td> <td>28.54</td> <td>H</td> <td>1.1</td> <td>-1.6</td> <td>25.92</td> <td>38.5</td> <td>-12.5</td> <td></td> </tr> <tr> <td colspan="9">Mid Ch</td> </tr> <tr> <td>836.60</td> <td>22.14</td> <td>V</td> <td>1.1</td> <td>-1.4</td> <td>19.65</td> <td>38.5</td> <td>-18.8</td> <td></td> </tr> <tr> <td>836.60</td> <td>28.70</td> <td>H</td> <td>1.1</td> <td>-1.4</td> <td>26.21</td> <td>38.5</td> <td>-12.2</td> <td></td> </tr> <tr> <td colspan="9">High Ch</td> </tr> <tr> <td>848.80</td> <td>21.48</td> <td>V</td> <td>1.1</td> <td>-1.3</td> <td>19.12</td> <td>38.5</td> <td>-19.3</td> <td></td> </tr> <tr> <td>848.80</td> <td>29.08</td> <td>H</td> <td>1.1</td> <td>-1.3</td> <td>26.72</td> <td>38.5</td> <td>-11.7</td> <td></td> </tr> </tbody> </table> <p>Rev. 3.17.11                      Note: For Band 13/17 ERP limit is 34.77dBm; For Band 26 limit is 50dBm</p>	f MHz	SG reading (dBm)	Ant. Pol. (H/V)	Cable Loss (dB)	Antenna Gain (dBd)	ERP (dBm)	Limit (dBm)	Margin (dB)	Notes	Low Ch									824.20	22.47	V	1.1	-1.6	19.85	38.5	-18.6		824.20	28.54	H	1.1	-1.6	25.92	38.5	-12.5		Mid Ch									836.60	22.14	V	1.1	-1.4	19.65	38.5	-18.8		836.60	28.70	H	1.1	-1.4	26.21	38.5	-12.2		High Ch									848.80	21.48	V	1.1	-1.3	19.12	38.5	-19.3		848.80	29.08	H	1.1	-1.3	26.72	38.5	-11.7
f MHz	SG reading (dBm)	Ant. Pol. (H/V)	Cable Loss (dB)	Antenna Gain (dBd)	ERP (dBm)	Limit (dBm)	Margin (dB)	Notes																																																																																		
Low Ch																																																																																										
824.20	22.47	V	1.1	-1.6	19.85	38.5	-18.6																																																																																			
824.20	28.54	H	1.1	-1.6	25.92	38.5	-12.5																																																																																			
Mid Ch																																																																																										
836.60	22.14	V	1.1	-1.4	19.65	38.5	-18.8																																																																																			
836.60	28.70	H	1.1	-1.4	26.21	38.5	-12.2																																																																																			
High Ch																																																																																										
848.80	21.48	V	1.1	-1.3	19.12	38.5	-19.3																																																																																			
848.80	29.08	H	1.1	-1.3	26.72	38.5	-11.7																																																																																			
GSM  Band GSM1900 GPRS	<b>High Frequency Substitution Measurement</b> <b>UL Korea, Ltd. Suwon Laboratory Chamber 1</b>																																																																																									
	<p> <b>Company:</b> Samsung  <b>Project #:</b> 15K20294  <b>Date:</b> March 11, 2015  <b>Test Engineer:</b> Steven.Kim  <b>Configuration:</b> EUT ONLY, X Position  <b>Mode:</b> GPRS 1900MHz                 </p> <p> <b>Test Equipment:</b>                      Receiving: 3117, and Chamber 1 SMA Cables                      Substitution: 3115 Substitution, 3m SMA Cable Warehouse                 </p> <table border="1"> <thead> <tr> <th>f GHz</th> <th>SG reading (dBm)</th> <th>Ant. Pol. (H/V)</th> <th>Cable Loss (dB)</th> <th>Antenna Gain (dBi)</th> <th>EIRP (dBm)</th> <th>Limit (dBm)</th> <th>Delta (dB)</th> <th>Notes</th> </tr> </thead> <tbody> <tr> <td colspan="9">Low Ch</td> </tr> <tr> <td>1850.20</td> <td>15.6</td> <td>V</td> <td>1.60</td> <td>9.12</td> <td>23.13</td> <td>33.0</td> <td>-9.9</td> <td></td> </tr> <tr> <td>1850.20</td> <td>23.2</td> <td>H</td> <td>1.60</td> <td>9.12</td> <td>30.70</td> <td>33.0</td> <td>-2.3</td> <td></td> </tr> <tr> <td colspan="9">Mid Ch</td> </tr> <tr> <td>1880.00</td> <td>21.9</td> <td>V</td> <td>1.62</td> <td>8.98</td> <td>29.28</td> <td>33.0</td> <td>-3.7</td> <td></td> </tr> <tr> <td>1880.00</td> <td>24.1</td> <td>H</td> <td>1.62</td> <td>8.98</td> <td>31.44</td> <td>33.0</td> <td>-1.6</td> <td></td> </tr> <tr> <td colspan="9">High Ch</td> </tr> <tr> <td>1909.80</td> <td>16.9</td> <td>V</td> <td>1.63</td> <td>8.83</td> <td>24.11</td> <td>33.0</td> <td>-8.9</td> <td></td> </tr> <tr> <td>1909.80</td> <td>23.9</td> <td>H</td> <td>1.63</td> <td>8.83</td> <td>31.10</td> <td>33.0</td> <td>-1.9</td> <td></td> </tr> </tbody> </table> <p>Rev. 3.17.11</p>	f GHz	SG reading (dBm)	Ant. Pol. (H/V)	Cable Loss (dB)	Antenna Gain (dBi)	EIRP (dBm)	Limit (dBm)	Delta (dB)	Notes	Low Ch									1850.20	15.6	V	1.60	9.12	23.13	33.0	-9.9		1850.20	23.2	H	1.60	9.12	30.70	33.0	-2.3		Mid Ch									1880.00	21.9	V	1.62	8.98	29.28	33.0	-3.7		1880.00	24.1	H	1.62	8.98	31.44	33.0	-1.6		High Ch									1909.80	16.9	V	1.63	8.83	24.11	33.0	-8.9		1909.80	23.9	H	1.63	8.83	31.10	33.0	-1.9
f GHz	SG reading (dBm)	Ant. Pol. (H/V)	Cable Loss (dB)	Antenna Gain (dBi)	EIRP (dBm)	Limit (dBm)	Delta (dB)	Notes																																																																																		
Low Ch																																																																																										
1850.20	15.6	V	1.60	9.12	23.13	33.0	-9.9																																																																																			
1850.20	23.2	H	1.60	9.12	30.70	33.0	-2.3																																																																																			
Mid Ch																																																																																										
1880.00	21.9	V	1.62	8.98	29.28	33.0	-3.7																																																																																			
1880.00	24.1	H	1.62	8.98	31.44	33.0	-1.6																																																																																			
High Ch																																																																																										
1909.80	16.9	V	1.63	8.83	24.11	33.0	-8.9																																																																																			
1909.80	23.9	H	1.63	8.83	31.10	33.0	-1.9																																																																																			

## 11.2. FIELD STRENGTH OF SPURIOUS RADIATION

### RULE PART(S)

FCC: §2.1053, §22.917, §24.238

### LIMIT

The power of any emission outside of the authorized operating frequency ranges must be attenuated below the transmitting power (P) by a factor of at least  $43 + 10 \log (P)$  dB.

### TEST PROCEDURE

For Cellular equipment - Compliance with these rules is based on the use of measurement instrumentation employing a resolution bandwidth of 100 kHz or greater. In the 1 MHz bands immediately outside and adjacent to the frequency block a resolution bandwidth of at least one percent of the emission bandwidth of the fundamental emission of the transmitter may be employed. A narrower resolution bandwidth is permitted in all cases to improve measurement accuracy provided the measured power is integrated over the full required measurement bandwidth (i.e. 100 kHz or 1 percent of emission bandwidth, as specified). The emission bandwidth is defined as the width of the signal between two points, one below the carrier center frequency and one above the carrier center frequency, outside of which all emissions are attenuated at least 26 dB below the transmitter power.

For PCS equipment - Compliance with these rules is based on the use of measurement instrumentation employing a resolution bandwidth of 1 MHz or greater. However, in the 1 MHz bands immediately outside and adjacent to the frequency block a resolution bandwidth of at least one percent of the emission bandwidth of the fundamental emission of the transmitter may be employed. A narrower resolution bandwidth is permitted in all cases to improve measurement accuracy provided the measured power is integrated over the full required measurement bandwidth (i.e. 1 MHz or 1 percent of emission bandwidth, as specified). The emission bandwidth is defined as the width of the signal between two points, one below the carrier center frequency and one above the carrier center frequency, outside of which all emissions are attenuated at least 26 dB below the transmitter power.

### RESULTS

### 11.2.1. SPURIOUS RADIATION PLOTS

UL Korea, Ltd Suwon Laboratory Above 1GHz High Frequency Substitution Measurement									
Company:		Samsung							
Project #:		15K20294							
Date:		March 11, 2015							
Test Engineer:		Steven.Kim							
Configuration:		EUT / AC Adapter / Earphone, X Position							
Mode:		GPRS 850 MHz							
Chamber		Pre-amplifier		Filter		Limit			
Chamber 1		AFS42		Filter 1		Part 22			
f GHz	SG reading (dBm)	Ant. Pol. (H/V)	Distance (m)	Preamp (dB)	Filter (dB)	EIRP (dBm)	Limit (dBm)	Delta (dB)	Notes
<b>Low Ch, 824.2MHz</b>									
1.6484	-5.6	V	3.0	40.2	1.0	-44.8	-13.0	-31.8	
2.4726	-3.3	V	3.0	40.1	1.0	-42.4	-13.0	-29.4	
3.2968	-13.6	V	3.0	39.6	1.0	-52.2	-13.0	-39.2	
1.6484	0.4	H	3.0	40.2	1.0	-38.8	-13.0	-25.8	
2.4726	0.3	H	3.0	40.1	1.0	-38.8	-13.0	-25.8	
3.2968	-5.4	H	3.0	39.6	1.0	-44.0	-13.0	-31.0	
<b>Mid Ch, 836.6MHz</b>									
1.6730	-13.6	V	3.0	40.2	1.0	-52.8	-13.0	-39.8	
2.5098	-5.7	V	3.0	40.1	1.0	-44.7	-13.0	-31.7	
3.3464	-5.5	V	3.0	39.6	1.0	-44.1	-13.0	-31.1	
1.6730	-6.5	H	3.0	40.2	1.0	-45.7	-13.0	-32.7	
2.5098	0.5	H	3.0	40.1	1.0	-38.5	-13.0	-25.5	
3.3464	-4.6	H	3.0	39.6	1.0	-43.1	-13.0	-30.1	
<b>High Ch, 848.8MHz</b>									
1.6976	-8.6	V	3.0	40.2	1.0	-47.8	-13.0	-34.8	
2.5466	-7.1	V	3.0	40.1	1.0	-46.2	-13.0	-33.2	
3.3952	-8.4	V	3.0	39.5	1.0	-46.9	-13.0	-33.9	
1.6976	-6.6	H	3.0	40.2	1.0	-45.7	-13.0	-32.7	
2.5466	0.1	H	3.0	40.1	1.0	-38.9	-13.0	-25.9	
3.3952	-5.8	H	3.0	39.5	1.0	-44.3	-13.0	-31.3	
Rev. 03.03.09 Note: No other emissions were detected above the system noise floor.									

GSM  
Band  
GSM850  
GPRS

UL Korea, Ltd Suwon Laboratory Above 1GHz High Frequency Substitution Measurement										
<b>Company:</b> Samsung <b>Project #:</b> 15K20294 <b>Date:</b> March 11, 2015 <b>Test Engineer:</b> Steven.Kim <b>Configuration:</b> EUT / AC Adapter / Earphone, X Position <b>Mode:</b> GPRS 1900										
		<div style="border: 1px solid black; padding: 2px; background-color: #e0f0ff;">Chamber</div> <div style="border: 1px solid black; padding: 2px; background-color: #e0f0ff;">Chamber 1</div>	<div style="border: 1px solid black; padding: 2px; background-color: #e0f0ff;">Pre-amplifier</div> <div style="border: 1px solid black; padding: 2px; background-color: #e0f0ff;">AFS42</div>	<div style="border: 1px solid black; padding: 2px; background-color: #e0f0ff;">Filter</div> <div style="border: 1px solid black; padding: 2px; background-color: #e0f0ff;">Filter 1</div>	<div style="border: 1px solid black; padding: 2px; background-color: #e0f0ff;">Limit</div> <div style="border: 1px solid black; padding: 2px; background-color: #e0f0ff;">Part 24</div>					
f GHz	SG reading (dBm)	Ant. Pol. (H/V)	Distance (m)	Preamp (dB)	Filter (dB)	EIRP (dBm)	Limit (dBm)	Delta (dB)	Notes	
<b>Low Ch, 1850.2MHz</b>										
3.7004	-5.7	V	3.0	39.2	1.0	-43.8	-13.0	-30.8		
5.5506	-3.9	V	3.0	40.0	1.0	-42.9	-13.0	-29.9		
7.4008	-6.5	V	3.0	39.2	1.0	-44.7	-13.0	-31.7		
3.7000	1.5	H	3.0	39.2	1.0	-36.7	-13.0	-23.7		
5.5506	-3.1	H	3.0	40.0	1.0	-42.1	-13.0	-29.1		
7.4008	-7.1	H	3.0	39.2	1.0	-45.3	-13.0	-32.3		
<b>Mid Ch, 1880.0MHz</b>										
3.7600	-0.8	V	3.0	39.1	1.0	-38.9	-13.0	-25.9		
5.6400	-6.0	V	3.0	39.9	1.0	-45.0	-13.0	-32.0		
7.5200	-6.1	V	3.0	39.1	1.0	-44.3	-13.0	-31.3		
3.7600	0.3	H	3.0	39.1	1.0	-37.8	-13.0	-24.8		
5.6400	-5.7	H	3.0	39.9	1.0	-44.6	-13.0	-31.6		
7.5200	-5.7	H	3.0	39.1	1.0	-43.8	-13.0	-30.8		
<b>High Ch, 1909.8 MHz</b>										
3.8196	0.2	V	3.0	39.0	1.0	-37.8	-13.0	-24.8		
5.7294	-6.0	V	3.0	39.9	1.0	-44.9	-13.0	-31.9		
7.6392	-5.6	V	3.0	39.1	1.0	-43.7	-13.0	-30.7		
3.8196	0.3	H	3.0	39.0	1.0	-37.7	-13.0	-24.7		
5.7294	-6.8	H	3.0	39.9	1.0	-45.7	-13.0	-32.7		
7.6392	-6.4	H	3.0	39.1	1.0	-44.5	-13.0	-31.5		
Rev. 03.03.09 Note: No other emissions were detected above the system noise floor.										

GSM  
 Band  
 GSM1900  
 GPRS