



**FCC CFR47 PART 22 SUBPART H
FCC CFR47 PART 24 SUBPART E**

WWAN

CERTIFICATION TEST REPORT

FOR

GSM/WCDMA/LTE Tablet + BT/BLE and DTS b/g/n

MODEL NUMBER : SM-T285

FCC ID: A3LSMT285

REPORT NUMBER: 16K22741-E4V1

ISSUE DATE: FEB 19, 2016

Prepared for
**SAMSUNG ELECTRONICS CO., LTD.
129 SAMSUNG-RO, YEONGTONG-GU, SUWON-SI,
GYEONGGI-DO, 16677, KOREA**

Prepared by
**UL Korea, Ltd. Suwon Laboratory
218 Maeyeong-ro, Yeongtong-gu,
Suwon-si, Gyeonggi-do, 16675, Korea
TEL: (031) 337-9902
FAX: (031) 213-5433**



Revision History

<u>Rev.</u>	<u>Issue Date</u>	<u>Revisions</u>	<u>Revised By</u>
V1	02/19/16	Initial issue	Junwhan Lee

TABLE OF CONTENTS

1. ATTESTATION OF TEST RESULTS	5
2. TEST METHODOLOGY	6
3. FACILITIES AND ACCREDITATION	6
4. CALIBRATION AND UNCERTAINTY	6
4.1. MEASURING INSTRUMENT CALIBRATION	6
4.2. SAMPLE CALCULATION	6
4.3. MEASUREMENT UNCERTAINTY	6
5. EQUIPMENT UNDER TEST	7
5.1. DESCRIPTION OF EUT	7
5.2. MAXIMUM OUTPUT POWER (GSM)	7
5.3. MAXIMUM OUTPUT POWER (WCDMA)	7
5.4. MAXIMUM OUTPUT POWER (LTE).....	8
5.5. DESCRIPTION OF TEST SETUP.....	9
6. TEST AND MEASUREMENT EQUIPMENT	11
7. Summary Table	12
8. RF POWER OUTPUT VERIFICATION	13
8.1. GSM/GPRS/EDGE.....	13
8.1.1. GSM OUTPUT POWER RESULT	14
8.2. UMTS REL 99	16
8.2.1. WCDMA OUTPUT POWER RESULT	20
8.3. LTE OUTPUT VERIFICATION	22
8.3.1. LTE OUTPUT POWER RESULT	23
9. PEAK TO AVERAGE RATIO	24
9.1. CONDUCTED PEAK TO AVERAGE RESULT	24
9.2. CONDUCTED PEAK TO AVERAGE PLOTS.....	25
10. LIMITS AND CONDUCTED RESULTS	28
10.1. OCCUPIED BANDWIDTH.....	28
10.1.1. OCCUPIED BANDWIDTH RESULTS	28
10.1.2. OCCUPIED BANDWIDTH PLOTS	30
10.2. BAND EDGE EMISSIONS	38
10.2.1. BAND EDGE PLOTS	40
10.3. OUT OF BAND EMISSIONS.....	46
10.3.1. OUT OF BAND EMISSIONS RESULT	47

10.3.2.	OUT OF BAND EMISSIONS PLOTS	49
10.4.	<i>FREQUENCY STABILITY</i>	57
10.4.1.	FREQUENCY STABILITY RESULTS.....	58
11.	RADIATED TEST RESULTS	60
11.1.	<i>RADIATED POWER (ERP & EIRP)</i>	60
11.1.1.	ERP/EIRP Results	61
11.1.2.	ERP/EIRP DATA.....	63
11.2.	<i>FIELD STRENGTH OF SPURIOUS RADIATION</i>	71
11.2.1.	SPURIOUS RADIATION PLOTS.....	72
12.	SETUP PHOTOS.....	80

1. ATTESTATION OF TEST RESULTS

COMPANY NAME: SAMSUNG ELECTRONICS CO., LTD.
EUT DESCRIPTION: GSM/WCDMA/LTE Tablet + BT/BLE and DTS b/g/n
MODEL NUMBER: SM-T285
SERIAL NUMBER: R32GC00C4XK, R32GC00C3CA (RADIATED);
R32GC00BZ2B, R32GC00C09T (CONDUCTED)
DATE TESTED: JAN 27, 2016 - FEB 18, 2016

APPLICABLE STANDARDS	
STANDARD	TEST RESULTS
FCC PART 22H, 24E	Pass

UL Korea, Ltd. tested the above equipment in accordance with the requirements set forth in the above standards. All indications of Pass/Fail in this report are opinions expressed by UL Korea, Ltd. based on interpretations and/or observations of test results. Measurement Uncertainties were not taken into account and are published for informational purposes only. The test results show that the equipment tested is capable of demonstrating compliance with the requirements as documented in this report.

Note: The results documented in this report apply only to the tested sample, under the conditions and modes of operation as described herein. This document may not be altered or revised in any way unless done so by UL Korea, Ltd. and all revisions are duly noted in the revisions section. Any alteration of this document not carried out by UL Korea, Ltd. will constitute fraud and shall nullify the document. This report must not be used by the client to claim product certification, approval, or endorsement by IAS, any agency of the Federal Government, or any agency of any government.

Approved & Released For
UL Korea, Ltd. By:



CY Choi
Suwon Lab Engineer
UL Korea, Ltd.

Tested By:



Junwhan Lee
Suwon Lab Engineer
UL Korea, Ltd.

2. TEST METHODOLOGY

The tests documented in this report were performed in accordance with TIA-603-D, FCC CFR 47 Part 22 and FCC CFR Part 24.

3. FACILITIES AND ACCREDITATION

The test sites and measurement facilities used to collect data are located at 218 Maeyeong-ro, Yeongtong-gu, Suwon-si, Gyeonggi-do, 16675, Korea. Line conducted emissions are measured only at the 218 address. The following table identifies which facilities were utilized for radiated emission measurements documented in this report. Specific facilities are also identified in the test results sections.

218 Maeyeong-ro	
<input type="checkbox"/>	Chamber 1
<input checked="" type="checkbox"/>	Chamber 2

UL Korea, Ltd. is accredited by IAS, Laboratory Code TL-637. The full scope of accreditation can be viewed at <http://www.iasonline.org/PDF/TL/TL-637.pdf>.

4. CALIBRATION AND UNCERTAINTY

4.1. MEASURING INSTRUMENT CALIBRATION

The measuring equipment utilized to perform the tests documented in this report has been calibrated in accordance with the manufacturer's recommendations, and is traceable to recognized national standards.

4.2. SAMPLE CALCULATION

Where relevant, the following sample calculation is provided:

EIRP = PSA reading with EUT worst orientation (dBm) + Path loss (dB) – cable loss(between the SG and substitution antenna) + Substitution Antenna Factor (dBi)

ERP = PSA reading with EUT worst orientation (dBm) + Path loss (dB) – cable loss(between the SG and substitution antenna)

(Path loss = Signal generator output – PSA reading with substitution antenna)

4.3. MEASUREMENT UNCERTAINTY

Where relevant, the following measurement uncertainty levels have been estimated for tests performed on the apparatus:

PARAMETER	UNCERTAINTY
Conducted Disturbance, 0.15 to 30 MHz	2.32 dB
Radiated Disturbance, Below 1GHz	4.14 dB
Radiated Disturbance, Above 1 GHz	5.97 dB

Uncertainty figures are valid to a confidence level of 95%.

5. EQUIPMENT UNDER TEST

5.1. DESCRIPTION OF EUT

The EUT is a GSM/WCDMA/LTE Tablet + BT/BLE and DTS b/g/n.

5.2. MAXIMUM OUTPUT POWER (GSM)

The transmitter has a maximum peak conducted and radiated ERP / EIRP output powers as follows:

FCC Part 22/24						
Band	Frequency Range	Modulation	Conducted		Radiated	
	[MHz]		Peak	Avg [dBm]	Avg [mW]	Avg [dBm]
GSM850	824~849	GMSK	31.87	1538.15		
		GPRS	31.91	1552.39	26.21	417.83
		EGPRS	26.07	404.58	22.36	172.19
GSM1900	1850~1910	GMSK	28.93	781.63		
		GPRS	28.96	787.05	30.26	1061.70
		EGPRS	25.38	345.14	27.87	612.35

5.3. MAXIMUM OUTPUT POWER (WCDMA)

The transmitter has a maximum peak conducted and radiated ERP / EIRP output powers as follows:

FCC Part 22/24						
Band	Frequency Range	Modulation	Conducted		Radiated	
	[MHz]		Peak	Avg [dBm]	Avg [mW]	Avg [dBm]
Band 5	824~849	REL99	23.40	218.78	15.63	36.56
		HSDPA	22.72	187.07	15.50	35.48
		HSUPA	22.25	167.88		
Band 2	1850~1910	REL99	22.18	165.20	21.50	141.25
		HSDPA	21.24	133.05	21.47	140.28
		HSUPA	20.70	117.49		

5.4. MAXIMUM OUTPUT POWER (LTE)

The transmitter has a maximum peak conducted and radiated ERP / EIRP output powers as follows:

LTE Band 5

FCC Part 22							
Band	Frequency Range [MHz]	BandWidth [MHz]	Modulation Peak	Conducted		Radiated	
				Avg [dBm]	Avg [mW]	Avg [dBm]	Avg [mW]
Band 5	824 ~ 849	10	QPSK	24.07	255.27	14.54	28.44
			16QAM	22.66	184.50	13.87	24.38
		5	QPSK	24.09	256.45	13.82	24.10
			16QAM	23.37	217.27	13.10	20.42
		3	QPSK	24.30	269.15	14.41	27.61
			16QAM	22.83	191.87	13.66	23.23
		1.4	QPSK	24.10	257.04	12.44	17.54
			16QAM	23.19	208.45	11.52	14.19

DESCRIPTION OF AVAILABLE ANTENNAS

The radio utilizes a FPCB antenna for the [List the bands supported with a maximum peak gain as follow:

Frequency (MHz)	Peak Gain (dBi)
GSM 850 / WCDMA Band 5 / LTE Band 5 824 ~ 849 MHz	-2.8
GSM 1900 / WCDMA Band 2 1850 ~ 1910 MHz	2.1

5.5. DESCRIPTION OF TEST SETUP

SUPPORT EQUIPMENT

Support Equipment List				
Description	Manufacturer	Model	Serial Number	FCC ID
Charger	SAMSUNG	ETA0U83EWE	DW1GB01PS/A-E	N/A
Data Cable	SAMSUNG	ECB-DU68WE	N/A	N/A
Earphone	SAMSUNG	EHS61ASFWE	N/A	N/A

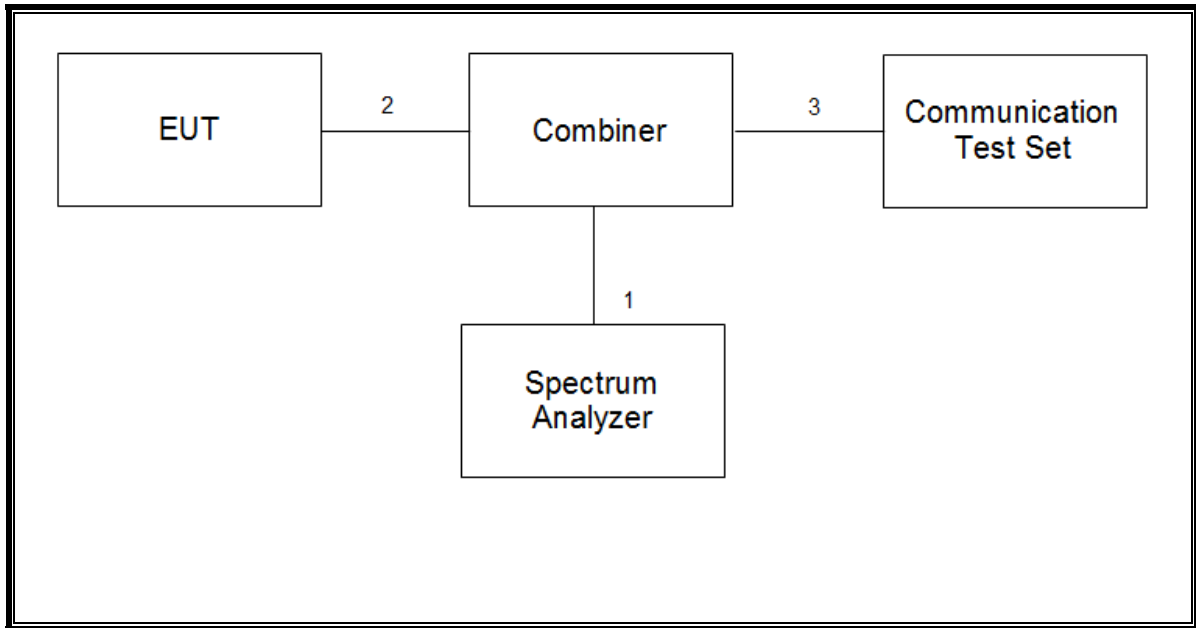
I/O CABLES

I/O Cable List						
Cable No	Port	# of identical ports	Connector Type	Cable Type	Cable Length (m)	Remarks
1	DC Power	1	Mini-USB	Shielded	0.8m	N/A
2	Audio	1	Mini-Jack	Unshielded	1.0m	N/A

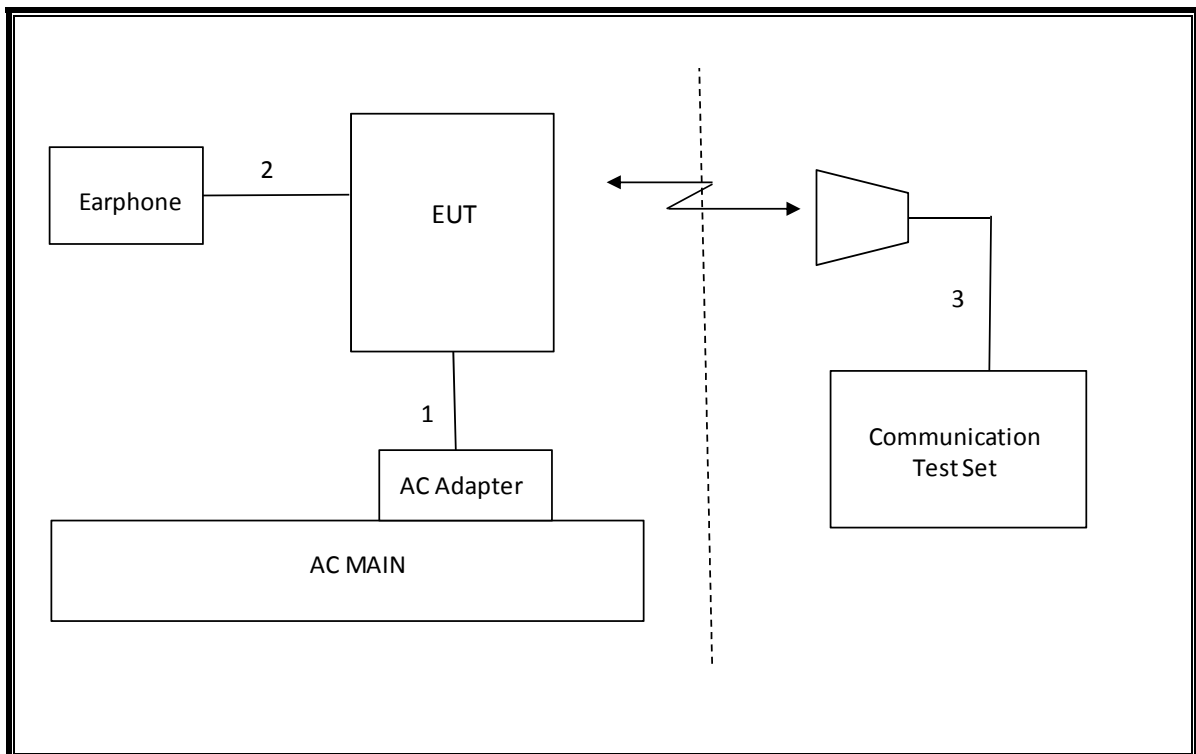
TEST SETUP

The EUT is continuously communicated to the call box during the tests.

SETUP DIAGRAM FOR TESTS (CONDUCTED TEST SETUP)



SETUP DIAGRAM FOR TESTS (RADIATED TEST SETUP)



6. TEST AND MEASUREMENT EQUIPMENT

The following test and measurement equipment was utilized for the tests documented in this report:

Test Equipment List				
Description	Manufacturer	Model	S/N	Cal Due
Antenna, Tuned Dipole 400~1000 MHz	ETS	3121D DB4	00164753	07-28-16
Antenna, Horn, 40 GHz	ETS	3116C	00166155	09-23-16
Antenna, Horn, 40 GHz	ETS	3116C-PA	00168841	08-24-17
Antenna, Bilog, 30MHz-1GHz	SCHWARZBECK	VULB9163	750	11-17-16
Antenna, Bilog, 30MHz-1GHz	SCHWARZBECK	VULB9163	749	04-25-17
Antenna, Horn, 18 GHz	ETS	3115	00167211	09-20-16
Antenna, Horn, 18 GHz	ETS	3115	00161451	05-17-17
Antenna, Horn, 18 GHz	ETS	3117	00168724	06-17-17
Antenna, Horn, 18 GHz	ETS	3117	00168717	06-17-17
Combiner	WEINSCHTEL	1575	2151	08-20-16
Communications Test Set	R&S	CMW500	150312	08-18-16
Communications Test Set	R&S	CMW500	115331	08-18-16
Communications Test Set	R&S	CMW500	102271	08-18-16
DC Power Supply	Agilent / HP	E3640A	MY54226395	08-18-16
Preamplifier, 1000 MHz	Sonoma	310N	341282	08-18-16
Preamplifier, 1000 MHz	Sonoma	310N	351741	08-18-16
Preamplifier, 18 GHz	Miteq	AFS42-00101800-25-S-42	1876511	08-18-16
Preamplifier, 18 GHz	Miteq	AFS42-00101800-25-S-42	1896138	08-18-16
Spectrum Analyzer, 44 GHz	Agilent / HP	N9030A	MY54170614	08-19-16
Spectrum Analyzer, 44 GHz	Agilent / HP	N9030A	MY54490312	08-19-16
Bluetooth Tester	TESCOM	TC-3000C	3000C000546	08-18-16
Average Power Sensor	R&S	NRZ-Z91	102681	08-18-16
Average Power Sensor	Agilent / HP	U2000	MY54270007	08-18-16
EMI Test Receive, 40 GHz	R&S	ESU40	100439	08-19-16
EMI Test Receive, 40 GHz	R&S	ESU40	100457	08-19-16
EMI Test Receive, 3 GHz	R&S	ESR3	101832	08-19-16
Attenuator / Switch driver	HP	11713A	3748A04272	N/A
Low Pass Filter 3GHz	Micro-Tronics	LPS17541	009	08-18-16
Low Pass Filter 3GHz	Micro-Tronics	LPS17541	015	08-18-16
High Pass Filter 5GHz	Micro-Tronics	HPS17542	009	08-18-16
High Pass Filter 6GHz	Micro-Tronics	HPM17543	010	08-18-16
High Pass Filter 5GHz	Micro-Tronics	HPS17542	016	08-18-16
High Pass Filter 6GHz	Micro-Tronics	HPM17543	015	08-18-16
LISN	R&S	ENV-216	101836	08-19-16
LISN	R&S	ENV-216	101837	08-19-16

7. Summary Table

FCC Part Section	Test Description	Test Limit	Test Condition	Test Result	Note
2.1049	Occupied Band width (99%)	N/A	Conducted	Pass	9.0041 MHz
22.917(a) 24.238(a)	Band Edge / Conducted Spurious Emission	-13dBm		Pass	-14.33dBm
2.1046	Conducted output power	N/A		Pass	31.91 dBm
22.355 24.235	Frequency Stability	2.5PPM		Pass	0.18PPM
22.913(a)(2)	Effective Radiated Power	38 dBm	Radiated	Pass	26.21 dBm
24.232(c)	Equivalent Isotropic Radiated Power	33dBm		Pass	30.26 dBm
22.917(a) 24.238(a)	Radiated Spurious Emission	-13dBm		Pass	-28.3 dBm

FCC Rule Part	Frequency Range [MHz]	Output Power [W]	Frequency Tolerance	Emission Designator	Emission Bandwidth	Communication Type
GSM						
22H	824.2 - 848.8	0.418	2.5 ppm	250KGXW		GPRS850
	824.2 - 848.8	0.172	2.5 ppm	239KG7W		EGPRS850
24E	1850.2 - 1909.8	1.062	2.5 ppm	249KGXW		GSM1900
	1850.2 - 1909.8	0.612	2.5 ppm	243KG7W		EGSM1900
WCDMA						
22H	826.4 - 846.6	0.037	2.5 ppm	4M09F9W		WCDMA BAND5
24E	1852.4 - 1907.6	0.141	2.5 ppm	4M10F9W		WCDMA BAND2
LTE Band 5						
22H	829.0 - 844.0	0.028	2.5 ppm	8M99G7W	10	QPSK
22H	829.0 - 844.0	0.024	2.5 ppm	9M00D7W	10	16QAM

8. RF POWER OUTPUT VERIFICATION

8.1. GSM/GPRS/EDGE

Function: Menu select > GSM Mobile Station > GSM 850/900/1800/1900
Press Connection control to choose the different menus
Press RESET > choose all to reset all settings
Connection Press Signal Off to turn off the signal and change settings
Network Support > GSM+GPRS or GSM+EGPRS
Main Service > Packet Data
Service selection > Test Mode A – Auto Slot Config. off
MS Signal Press Slot Config bottom on the right twice to select and change the number of time slots and power setting
 > Slot configuration > Uplink/Gamma
 > 33 dBm for GPRS 850/900
 > 30 dBm for GPRS1800/1900
BS Signal Enter the same channel number for TCH channel (test channel) and BCCH channel
Frequency Offset > + 0 Hz
Mode > BCCH and TCH
BCCH Level > -85 dBm (May need to adjust if link is not stable)
BCCH Channel > choose desire test channel [Enter the same channel number for TCH channel (test channel) and BCCH channel]
Channel Type > Off
P0> 4 dB
Slot Config > Unchanged (if already set under MS Signal)
TCH > choose desired test channel
Hopping > Off
Main Timeslot > 3 (Default)
Network Coding Scheme > CS4 (GPRS) and MCS5 ~ MCS9 (EGPRS)
Bit Stream > 2E9-1PSR Bit Pattern
AF/RF Enter appropriate offsets for Ext. Att. Output and Ext. Att. Input
Connection Press Signal On to turn on the signal and change settings

8.1.1. GSM OUTPUT POWER RESULT

GSM850 Measured Results

Band	Mode	Coding Scheme	Time Slots	Ch No.	Freq. [MHz]	Max. Power		
						Burst Pwr [dBm]	Frame Pwr [dBm]	
850	GSM (Voice)	CS1	1	128	824.2	31.87	22.84	
				190	836.6	31.83	22.80	
				251	848.8	31.65	22.62	
	GPRS (GMSK)	CS1	1	1	128	824.2	31.91	22.87
					190	836.6	31.86	22.83
					251	848.8	31.68	22.65
			2	1	128	824.2	30.27	24.25
					190	836.6	30.35	24.33
					251	848.8	30.36	24.34
			3	1	128	824.2	28.49	24.23
					190	836.6	28.55	24.29
					251	848.8	28.56	24.31
			4	1	128	824.2	26.57	23.56
					190	836.6	26.68	23.67
					251	848.8	26.66	23.65
	EGPRS (8PSK)	MCS5	1	1	128	824.2	25.92	16.89
					190	836.6	26.07	17.04
					251	848.8	25.94	16.91
			2	1	128	824.2	24.00	17.98
					190	836.6	24.03	18.01
					251	848.8	24.01	17.99
			3	1	128	824.2	23.67	19.41
					190	836.6	23.55	19.29
					251	848.8	23.70	19.44
4			1	128	824.2	22.23	19.22	
				190	836.6	22.36	19.34	
				251	848.8	22.28	19.27	

GSM1900 Measured Results

Band	Mode	Coding Scheme	Time Slots	Ch No.	Freq. [MHz]	Max. Power	
						Burst Pwr [dBm]	Frame Pwr [dBm]
1900	GSM (Voice)	CS1	1	512	1850.2	28.89	19.86
				661	1880.0	28.80	19.77
				810	1909.8	28.93	19.90
	GPRS (GMSK)	CS1	1	512	1850.2	28.93	19.90
				661	1880.0	28.83	19.80
				810	1909.8	28.96	19.93
			2	512	1850.2	26.74	20.72
				661	1880.0	26.73	20.71
				810	1909.8	26.53	20.51
			3	512	1850.2	25.48	21.22
				661	1880.0	25.47	21.21
				810	1909.8	25.22	20.96
			4	512	1850.2	23.37	20.36
				661	1880.0	23.35	20.34
				810	1909.8	23.09	20.08
	EGPRS (8PSK)	MCS5	1	512	1850.2	25.30	16.27
				661	1880.0	25.03	16.00
				810	1909.8	25.38	16.35
			2	512	1850.2	22.88	16.86
				661	1880.0	22.48	16.46
				810	1909.8	23.00	16.98
			3	512	1850.2	22.62	18.36
				661	1880.0	22.35	18.09
				810	1909.8	22.72	18.46
4			512	1850.2	21.13	18.12	
			661	1880.0	20.92	17.91	
			810	1909.8	21.25	18.24	

8.2. UMTS REL 99

Release 99 Setup Procedures used to establish the test signals

The following tests were completed according to the test requirements outlined in section 5.2 of the 3GPP TS34.121-1 specification. The DUT supports power Class 3, which has a nominal maximum output power of 24 dBm (+1.7/-3.7).

Mode	Subtest	Rel99
WCDMA General Settings	Loopback Mode	Test Mode 2
	Rel99 RMC	12.2kbps RMC
	Power Control Algorithm	Algorithm2
	β_c/β_d	8/15

HSDPA Setup Procedures used to establish the test signals

The following 4 Sub-tests were completed according to Release 7 procedures in section 5.2 of 3GPP TS34.121. A summary of these settings are illustrated below:

Mode	Subtest	HSDPA	HSDPA	HSDPA	HSDPA
		1	2	3	4
W-CDMA General Settings	Loopback Mode	Test Mode 1			
	Rel99 RMC	12.2kbps RMC			
	HSDPA FRC	H-Set 1			
	Power Control Algorithm	Algorithm 2			
	β_c	2/15	11/15	15/15	15/15
	β_d	15/15	15/15	8/15	4/15
	Bd (SF)	64			
	β_c/β_d	2/15	12/15	15/8	15/4
	β_{hs}	4/15	24/15	30/15	30/15
MPR (dB)	0	0	0.5	0.5	
HSDPA Specific Settings	D_{ACK}	8			
	D_{NAK}	8			
	DCQI	8			
	Ack-Nack repetition factor	3			
	CQI Feedback (Table 5.2B.4)	4ms			
	CQI Repetition Factor (Table 5.2B.4)	2			
	$A_{hs}=\beta_{hs}/\beta_c$	30/15			

HSPA (HSDPA & HSUPA) Setup Procedures used to establish the test signals

The following 5 Sub-tests were completed according to Release 6 procedures in section 5.2 of 3GPP TS34.121. A summary of these settings are illustrated below:

	Mode	HSPA				
	Subtest	1	2	3	4	5
WCDMA General Settings	Loopback Mode	Test Mode 1				
	Rel99 RMC	12.2 kbps RMC				
	HSDPA FRC	H-Set 1				
	HSUPA Test	HSPA				
	Power Control Algorithm	Algorithm 2				Algorithm 1
	β_c	11/15	6/15	15/15	2/15	15/15
	β_d	15/15	15/15	9/15	15/15	0
	β_{ec}	209/225	12/15	30/15	2/15	5/15
	β_c/β_d	11/15	6/15	15/9	2/15	15/1
	β_{hs}	22/15	12/15	30/15	4/15	5/15
	β_{ed}	1309/225	94/75	47/15	56/75	47/15
CM (dB)	1	3	2	3	1	
MPR (dB)	0	2	1	2	0	
HSDPA Specific Settings	DACK	8				0
	DNAK	8				0
	DCQI	8				0
	Ack-Nack repetition factor	3				
	CQI Feedback (Table 5.2B.4)	4ms				
	CQI Repetition Factor (Table 5.2B.4)	2				
	Ahs = β_{hs}/β_c	30/15				
HSUPA Specific Settings	E-DPDCCH	6	8	8	5	7
	DHARQ	0	0	0	0	0
	AG Index	20	12	15	17	21
	ETFCI (from 34.121 Table C.11.1.3)	75	67	92	71	81
	Associated Max UL Data Rate kbps	242.1	174.9	482.8	205.8	308.9
	Reference E-TFCIs	5	5	2	5	1
	Reference E-TFCI	11	11	11	11	67
	Reference E-TFCI PO	4	4	4	4	18
	Reference E-TFCI	67	67	92	67	67
	Reference E-TFCI PO	18	18	18	18	18
	Reference E-TFCI	71	71	71	71	71
	Reference E-TFCI PO	23	23	23	23	23
	Reference E-TFCI	75	75	75	75	75
	Reference E-TFCI PO	26	26	26	26	26
	Reference E-TFCI	81	81	81	81	81
Reference E-TFCI PO	27	27	27	27	27	
Maximum Channelisation Codes	2xSF2				SF4	

DC-HSDPA Setup Procedures used to establish the test signals

The following tests were completed according to procedures in section 7.3.13 of 3GPP TS34.108 v9.5.0. A summary of these settings are illustrated below:

Downlink Physical Channels are set as per 3GPP TS34.121-1 v9.0.0 E.5.0

Table E.5.0: Levels for HSDPA connection setup

Parameter	Unit	Value
During Connection setup		
P-CPICH_Ec/Ior	dB	-10
P-CCPCH and SCH_Ec/Ior	dB	-12
PICH_Ec/Ior	dB	-15
HS-PDSCH	dB	off
HS-SCCH_1	dB	off
DPCH_Ec/Ior	dB	-5
OCNS_Ec/Ior	dB	-3.1

Call is set up as per 3GPP TS34.108 v9.5.0 sub clause 7.3.13

The configurations of the fixed reference channels for HSDPA RF tests are described in 3GPP TS 34.121, annex C for FDD and 3GPP TS 34.122.

Table C.8.1.12: Fixed Reference Channel H-Set 12

Parameter	Unit	Value
Nominal Avg. Inf. Bit Rate	kbps	60
Inter-TTI Distance	TTI's	1
Number of HARQ Processes	Processes	6
Information Bit Payload (N_{INF})	Bits	120
Number Code Blocks	Blocks	1
Binary Channel Bits Per TTI	Bits	960
Total Available SML's in UE	SML's	19200
Number of SML's per HARQ Proc.	SML's	3200
Coding Rate		0.15
Number of Physical Channel Codes	Codes	1
Modulation		QPSK
Note 1: The RMC is intended to be used for DC-HSDPA mode and both cells shall transmit with identical parameters as listed in the table. Note 2: Maximum number of transmission is limited to 1, i.e., retransmission is not allowed. The redundancy and constellation version 0 shall be used.		

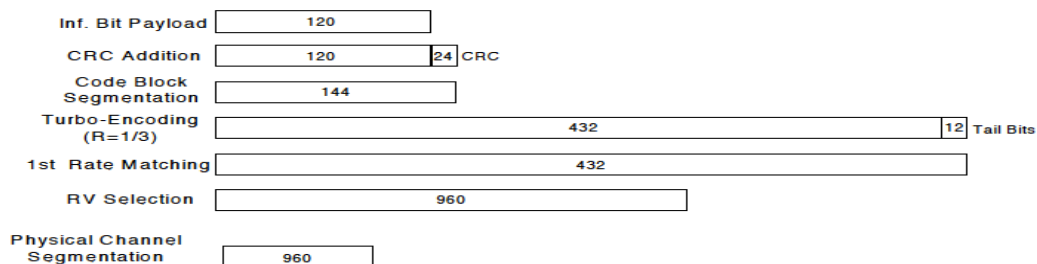


Figure C.8.19: Coding rate for Fixed reference Channel H-Set 12 (QPSK)

The following 4 Sub-tests for HSDPA were completed according to Release 8 procedures in section 5.2 of 3GPP TS34.121. A summary of subtest settings are illustrated below:

Mode	HSDPA	HSDPA	HSDPA	HSDPA
Subtest	1	2	3	4
WCDMA General Settings	Loopback Mode			
	Test Mode 1			
	Rel99 RMC			
	12.2kbps RMC			
	HSDPA FRC			
	H-Set 1			
	Power Control Algorithm			
	Algorithm2			
	β_c	2/15	11/15	15/15
β_d	15/15	15/15	8/15	4/15
β_d (SF)	64			
β_c/β_d	2/15	11/15	15/8	15/4
β_{hs}	4/15	24/15	30/15	30/15
MPR (dB)	0	0	0.5	0.5
HSDPA Specific Settings	DACK			
	8			
	DNAK			
	8			
	DCQI			
	8			
	Ack-Nack Repetition factor			
3				
CQI Feedback				
4ms				
CQI Repetition Factor				
2				
A _{hs} = β_{hs}/β_c				
30/15				

HSPA+

Since 16QAM is not used for uplink, the uplink Category and release is same as HSUPA, i.e., CAT 6 Rel 6. Therefore, the RF conducted power is not measured.

8.2.1. WCDMA OUTPUT POWER RESULT

WCDMA Band 5 Measured Results

Band	Mode		UL Ch No.	Freq. [MHz]	MPR [dB]	Avg Pwr [dBm]	
W-CDMA Band V	Rel 99	RMC, 12.2 kbps	4132	826.4	0	23.40	
			4183	836.6	0	23.26	
			4233	846.6	0	23.06	
	HSDPA	Subtest 1	4132	826.4	0	22.29	
			4183	836.6	0	22.54	
			4233	846.6	0	22.42	
		Subtest 2	4132	826.4	0	22.65	
			4183	836.6	0	22.72	
			4233	846.6	0	22.58	
		Subtest 3	4132	826.4	0.5	22.65	
			4183	836.6	0.5	22.70	
			4233	846.6	0.5	22.59	
		Subtest 4	4132	826.4	0.5	22.62	
			4183	836.6	0.5	22.63	
			4233	846.6	0.5	22.55	
		HSUPA	Subtest 1	4132	826.4	0	20.82
				4183	836.6	0	21.01
				4233	846.6	0	20.82
	Subtest 2		4132	826.4	2	18.84	
			4183	836.6	2	19.04	
			4233	846.6	2	18.86	
	Subtest 3		4132	826.4	1	20.12	
			4183	836.6	1	20.31	
			4233	846.6	1	20.16	
	Subtest 4		4132	826.4	2	19.63	
			4183	836.6	2	19.80	
			4233	846.6	2	19.65	
	Subtest 5		4132	826.4	0	22.07	
			4183	836.6	0	22.25	
			4233	846.6	0	22.08	

WCDMA Band 2 Measured Results

Band	Mode		UL Ch No.	Freq. [MHz]	MPR [dB]	Avg Pwr [dBm]	
W-CDMA Band II	Rel 99	RMC, 12.2 kbps	9262	1852.4	0	22.18	
			9400	1880.0	0	22.04	
			9538	1907.6	0	22.12	
	HSDPA	Subtest 1	9262	1852.4	0	20.94	
			9400	1880.0	0	20.98	
			9538	1907.6	0	21.24	
		Subtest 2	9262	1852.4	0	20.91	
			9400	1880.0	0	20.88	
			9538	1907.6	0	21.01	
		Subtest 3	9262	1852.4	0.5	21.00	
			9400	1880.0	0.5	20.92	
			9538	1907.6	0.5	21.00	
		Subtest 4	9262	1852.4	0.5	20.98	
			9400	1880.0	0.5	20.91	
			9538	1907.6	0.5	20.99	
		HSUPA	Subtest 1	9262	1852.4	0	18.70
				9400	1880.0	0	19.34
				9538	1907.6	0	19.57
	Subtest 2		9262	1852.4	2	17.32	
			9400	1880.0	2	17.41	
			9538	1907.6	2	17.69	
	Subtest 3		9262	1852.4	1	17.74	
			9400	1880.0	1	17.72	
			9538	1907.6	1	18.09	
	Subtest 4		9262	1852.4	2	18.15	
			9400	1880.0	2	18.20	
			9538	1907.6	2	18.46	
	Subtest 5	9262	1852.4	0	20.60		
		9400	1880.0	0	20.62		
		9538	1907.6	0	20.70		

8.3. LTE OUTPUT VERIFICATION

The following tests were conducted according to the test requirements outlined in section 6.2 of the 3GPP TS36.101 specification.

UE Power Class: 3 (23 +/- 2dBm). The allowed Maximum Power Reduction (MPR) for the maximum output power due to higher order modulation and transmit bandwidth configuration (resource blocks) is specified in Table 6.2.3-1 of the 3GPP TS36.101.

Table 6.2.3-1: Maximum Power Reduction (MPR) for Power Class 3

Modulation	Channel bandwidth / Transmission bandwidth (RB)						MPR (dB)
	1.4 MHz	3.0 MHz	5 MHz	10 MHz	15 MHz	20 MHz	
QPSK	> 5	> 4	> 8	> 12	> 16	> 18	≤ 1
16 QAM	≤ 5	≤ 4	≤ 8	≤ 12	≤ 16	≤ 18	≤ 1
16 QAM	> 5	> 4	> 8	> 12	> 16	> 18	≤ 2

The allowed A-MPR values specified below in Table 6.2.4.-1 of 3GPP TS36.101 are in addition to the allowed MPR requirements. All the measurements below were performed with A-MPR disabled, by using Network Signalling Value of "NS_01".

Table 6.2.4-1: Additional Maximum Power Reduction (A-MPR)

Network Signalling value	Requirements (sub-clause)	E-UTRA Band	Channel bandwidth (MHz)	Resources Blocks (N_{RB})	A-MPR (dB)
NS_01	6.6.2.1.1	Table 5.5-1	1.4, 3, 5, 10, 15, 20	Table 5.6-1	NA
NS_03	6.6.2.2.1	2, 4, 10, 23, 25, 35, 36	3	>5	≤ 1
			5	>6	≤ 1
			10	>6	≤ 1
			15	>8	≤ 1
			20	>10	≤ 1
NS_04	6.6.2.2.2	41	5	>6	≤ 1
			10, 15, 20	See Table 6.2.4-4	
NS_05	6.6.3.3.1	1	10, 15, 20	≥ 50	≤ 1
NS_06	6.6.2.2.3	12, 13, 14, 17	1.4, 3, 5, 10	Table 5.6-1	n/a
NS_07	6.6.2.2.3	13	10	Table 6.2.4-2	Table 6.2.4-2
	6.6.3.3.2				
NS_08	6.6.3.3.3	19	10, 15	> 44	≤ 3
NS_09	6.6.3.3.4	21	10, 15	> 40	≤ 1
				> 55	≤ 2
NS_10		20	15, 20	Table 6.2.4-3	Table 6.2.4-3
NS_11	6.6.2.2.1	23 ¹	1.4, 3, 5, 10	Table 6.2.4-5	Table 6.2.4-5
..					
NS_32	-	-	-	-	-

Note 1: Applies to the lower block of Band 23, i.e. a carrier placed in the 2000-2010 MHz region.

8.3.1. LTE OUTPUT POWER RESULT

LTE Band 5 Measured Results

Band	BW (MHz)	Mode	RB Allocation	RB offset	Target MPR	Avg Pwr [dBm]		
						Max. Power		
						829 MHz	836.5 MHz	844 MHz
LTE Band 5	10	QPSK	1	0	0	24.05	24.05	23.67
			1	25	0	23.93	23.75	23.98
			1	49	0	23.87	24.07	23.68
			25	0	1	21.98	21.67	21.99
			25	12	1	21.96	21.67	21.89
			25	25	1	21.93	21.64	21.93
		16QAM	50	0	1	21.95	21.60	21.83
			1	0	1	22.66	22.46	22.11
			1	25	1	22.53	22.18	22.43
			1	49	1	22.42	22.54	22.15
			25	0	2	21.22	20.93	21.17
			25	12	2	21.23	20.86	21.11
			25	25	2	21.14	20.89	21.06
			50	0	2	21.23	20.77	21.23
Band	BW (MHz)	Mode	RB Allocation	RB offset	Target MPR	Avg Pwr [dBm]		
						Max. Power		
						826.5 MHz	836.5 MHz	846.5 MHz
LTE Band 5	5	QPSK	1	0	0	24.09	23.81	24.00
			1	12	0	24.00	23.68	23.84
			1	24	0	23.94	23.73	23.82
			12	0	1	22.23	21.77	21.88
			12	7	1	21.99	21.64	21.79
			12	13	1	22.00	21.63	21.69
		16QAM	25	0	1	22.06	21.61	21.63
			1	0	1	22.63	22.97	23.37
			1	12	1	22.48	22.87	23.15
			1	24	1	22.38	22.86	23.15
			12	0	2	21.42	20.94	21.30
			12	7	2	21.28	20.81	21.06
			12	13	2	21.22	20.90	21.06
			25	0	2	21.38	20.87	20.68
Band	BW (MHz)	Mode	RB Allocation	RB offset	Target MPR	Avg Pwr [dBm]		
						Max. Power		
						825.5 MHz	836.5 MHz	847.5 MHz
LTE Band 5	3	QPSK	1	0	0	24.26	23.83	23.84
			1	8	0	24.30	23.78	23.83
			1	14	0	24.24	23.67	23.69
			8	0	1	22.30	21.85	21.79
			8	4	1	22.33	21.84	21.74
			8	7	1	22.32	21.84	21.76
		16QAM	15	0	1	22.29	21.81	21.79
			1	0	1	22.48	22.63	22.20
			1	8	1	22.56	22.67	22.17
			1	14	1	22.43	22.83	21.99
			8	0	2	21.49	20.82	21.59
			8	4	2	21.49	20.78	21.55
			8	7	2	21.57	20.78	21.58
			15	0	2	21.71	20.86	20.97
Band	BW (MHz)	Mode	RB Allocation	RB offset	Target MPR	Avg Pwr [dBm]		
						Max. Power		
						824.7 MHz	836.5 MHz	848.3 MHz
LTE Band 5	1.4	QPSK	1	0	0	24.10	23.69	23.83
			1	3	0	24.08	23.79	23.87
			1	5	0	24.06	23.64	23.83
			3	0	0	24.08	23.69	23.71
			3	1	0	24.02	23.56	23.67
			3	3	0	24.08	23.59	23.70
		16QAM	6	0	1	22.32	21.62	21.69
			1	0	1	23.19	22.35	22.22
			1	3	1	23.05	22.29	22.18
			1	5	1	23.13	22.26	22.16
			3	0	1	23.04	22.63	22.75
			3	1	1	23.04	22.64	22.74
			3	3	1	23.05	22.60	22.81
			6	0	2	21.74	20.77	21.21

9. PEAK TO AVERAGE RATIO

Test Procedure

Per KDB 971168 D01 Power Meas License Digital Systems v02r02;

The transmitter output was connected to a CMW500 Test Set and configured to operate at maximum power. The PAR were measured on the Spectrum Analyzer.

Test Spec

In addition, when the transmitter power is measured in terms of average value, the peak-to-average ratio of the power shall not exceed 13 dB.

9.1. CONDUCTED PEAK TO AVERAGE RESULT

GSM

Band	Channel	f [MHz]	Mode	Ratio [dB]	Limit [dB]
GSM850	190	836.6	GPRS	2.79	13.00
			EGPRS	5.77	
GSM1900	661	1880.0	GPRS	2.83	
			EGPRS	5.95	

WCDMA

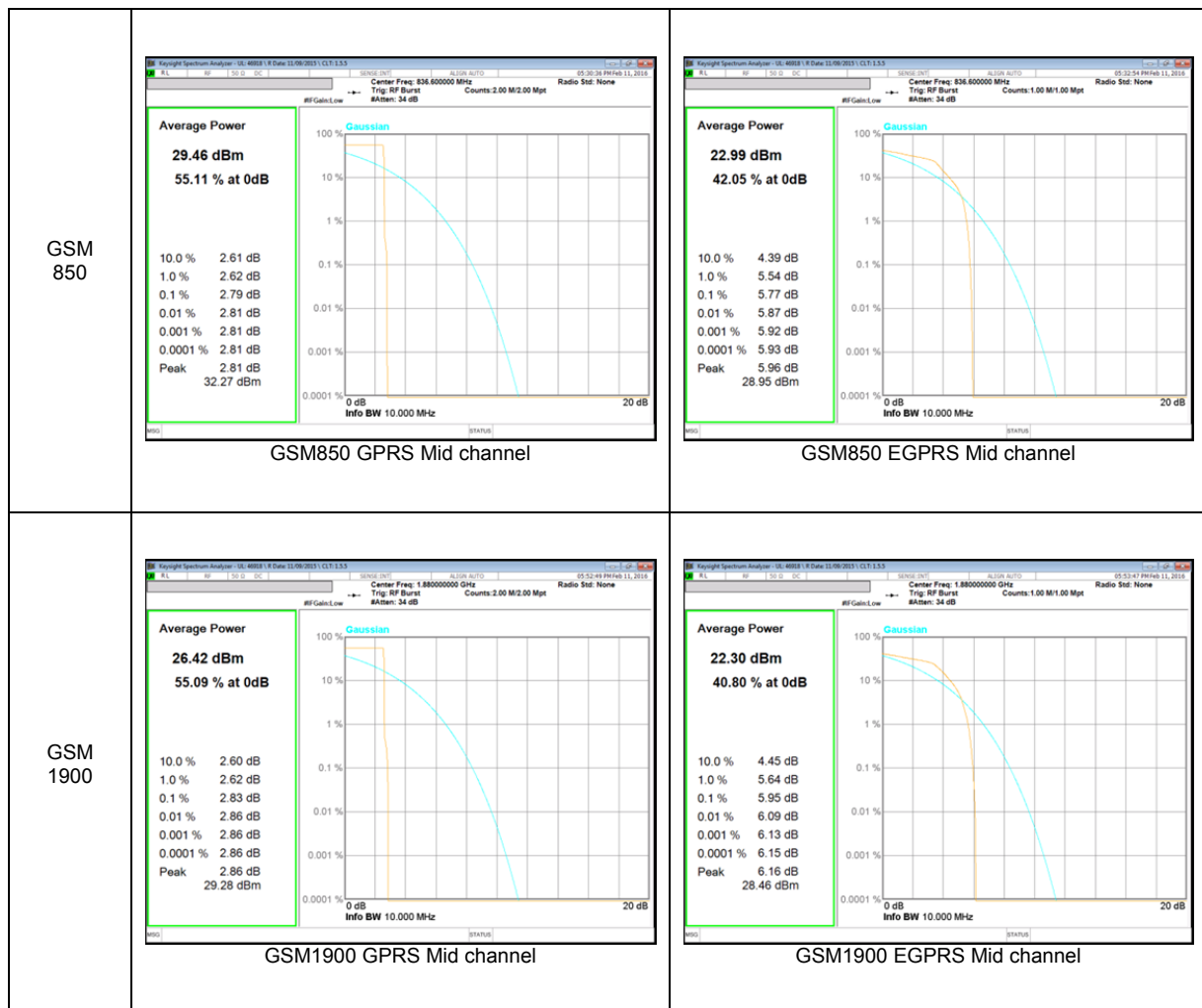
Band	Channel	f [MHz]	Mode	Ratio [dB]	Limit [dB]
Band 5	4183	836.6	REL99	3.02	13.00
			HSDPA	3.26	
Band 2	9400	1880.0	REL99	3.07	
			HSDPA	3.29	

LTE Band 5

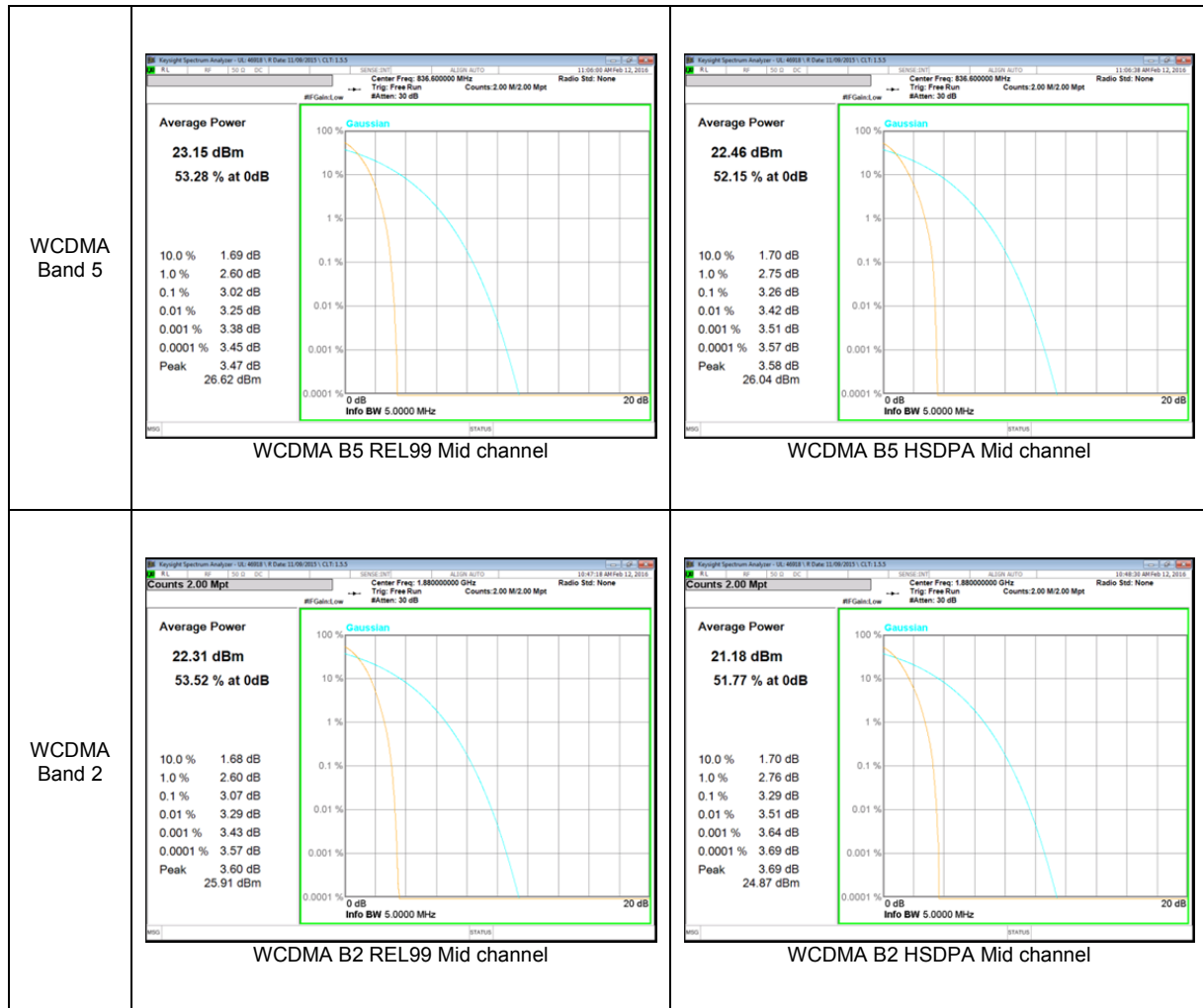
Band	BW [MHz]	Channel	f [MHz]	Mode	Ratio [dB]	Limit [dB]
Band 5	10	20525	836.5	QPSK	4.84	13.00
				16QAM	6.04	
	5			QPSK	4.59	
				16QAM	6.02	
	3			QPSK	4.71	
				16QAM	6.13	
	1.4			QPSK	4.80	
				16QAM	6.09	

9.2. CONDUCTED PEAK TO AVERAGE PLOTS

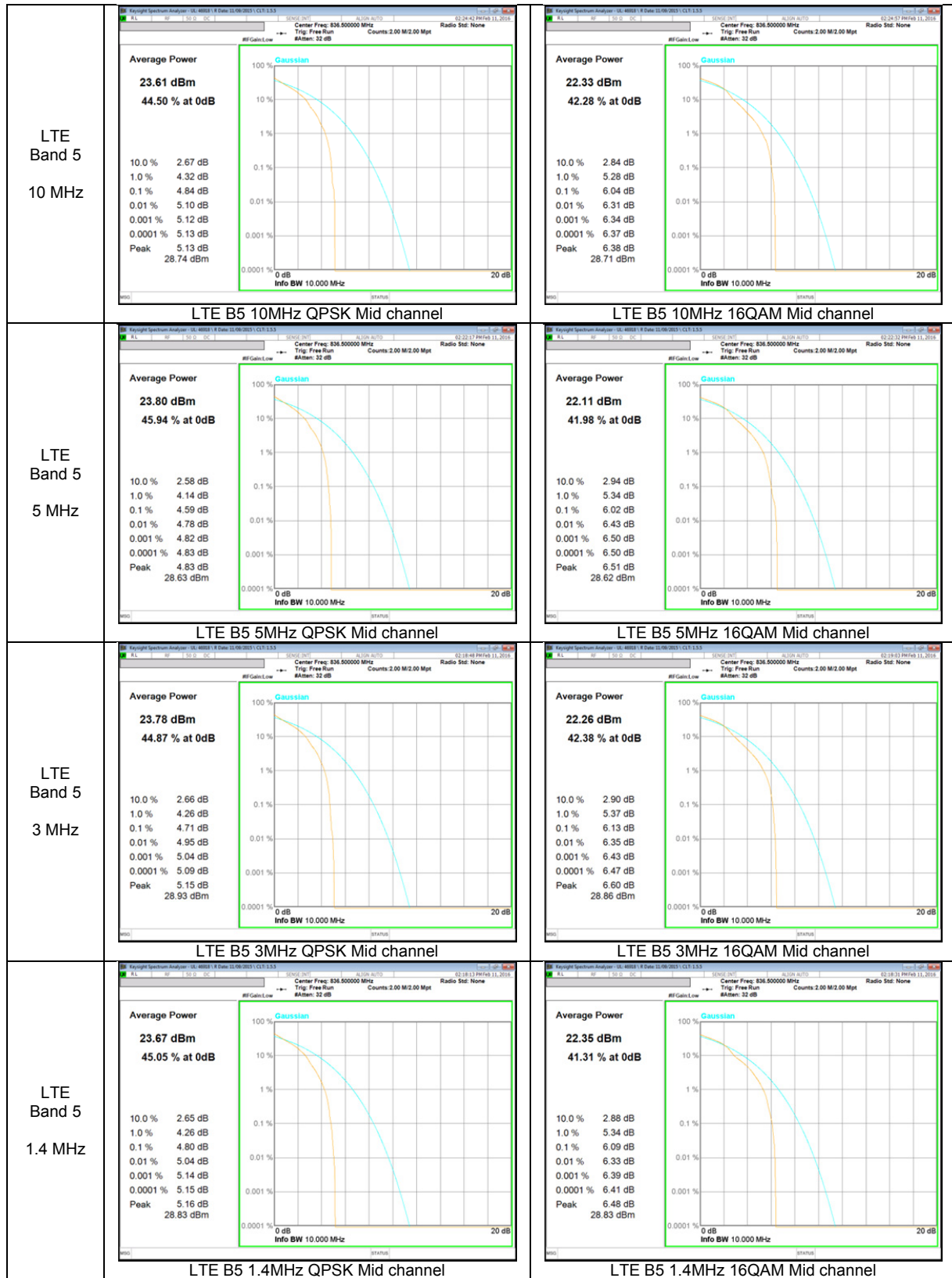
GSM



WCDMA



LTE Band 5



10. LIMITS AND CONDUCTED RESULTS

10.1. OCCUPIED BANDWIDTH

RULE PART(S)

FCC: §2.1049

LIMITS

For reporting purposes only

TEST PROCEDURE

The transmitter output was connected to a calibrated coaxial cable and coupler, the other end of which was connected to a spectrum analyzer. The occupied bandwidth was measured with the spectrum analyzer at the low, middle and high channel in each band. The -26dB bandwidth was also measured and recorded.

(KDB 971168 D01 Power Meas License Digital Systems v02r02)

10.1.1. OCCUPIED BANDWIDTH RESULTS

GSM

Band	Mode	Channel	f [MHz]	99% BW [KHz]	26dB BW [KHz]
GSM850	GPRS	128	824.2	250.33	320.0
		190	836.6	246.26	317.5
		251	848.8	248.48	321.5
	EGPRS	128	824.2	236.68	299.4
		190	836.6	235.20	300.0
		251	848.8	239.14	301.6
GSM1900	GPRS	512	1850.2	241.49	316.5
		661	1880.0	245.14	314.6
		810	1909.8	249.01	321.0
	EGPRS	512	1850.2	235.35	302.3
		661	1880.0	243.27	323.6
		810	1909.8	243.34	302.4

WCDMA

Band	Mode	Channel	f [MHz]	99% BW [MHz]	26dB BW [MHz]
Band 5	REL99	4132	826.4	4.0983	4.627
		4183	836.6	4.0914	4.621
		4233	846.6	4.0840	4.601
	HSDPA	4132	826.4	4.0934	4.597
		4183	836.6	4.0816	4.623
		4233	846.6	4.0747	4.613
Band 2	REL99	9262	1852.4	4.0849	4.601
		9400	1880.0	4.0952	4.632
		9538	1907.6	4.0946	4.649
	HSDPA	9262	1852.4	4.0851	4.594
		9400	1880.0	4.0865	4.617
		9538	1907.6	4.0897	4.627

LTE Band 5

Band	BW [MHz]	Channel	f [MHz]	Mode	99% BW [MHz]	26dB BW [MHz]
Band 5	10	20450	829.0	QPSK	8.9883	10.20
				16QAM	9.0041	10.15
		20524	836.5	QPSK	8.9499	10.06
				16QAM	8.9794	10.25
		20599	844.0	QPSK	8.9798	10.05
				16QAM	8.9902	10.06
	5	20425	826.5	QPSK	4.5030	5.074
				16QAM	4.5109	5.172
		20524	836.5	QPSK	4.4964	5.237
				16QAM	4.5082	5.419
		20624	846.5	QPSK	4.5010	5.109
				16QAM	4.5050	5.210
	3	20415	825.5	QPSK	2.6930	3.077
				16QAM	2.6912	3.202
		20524	836.5	QPSK	2.6904	3.154
				16QAM	2.6920	3.151
		20634	847.5	QPSK	2.6915	3.084
				16QAM	2.6901	3.265
	1.4	20407	824.7	QPSK	1.0996	1.566
				16QAM	1.1039	1.421
		20524	836.5	QPSK	1.0912	1.479
				16QAM	1.0910	1.422
		20624	848.3	QPSK	1.1003	1.566
				16QAM	1.1001	1.427

10.1.2. OCCUPIED BANDWIDTH PLOTS

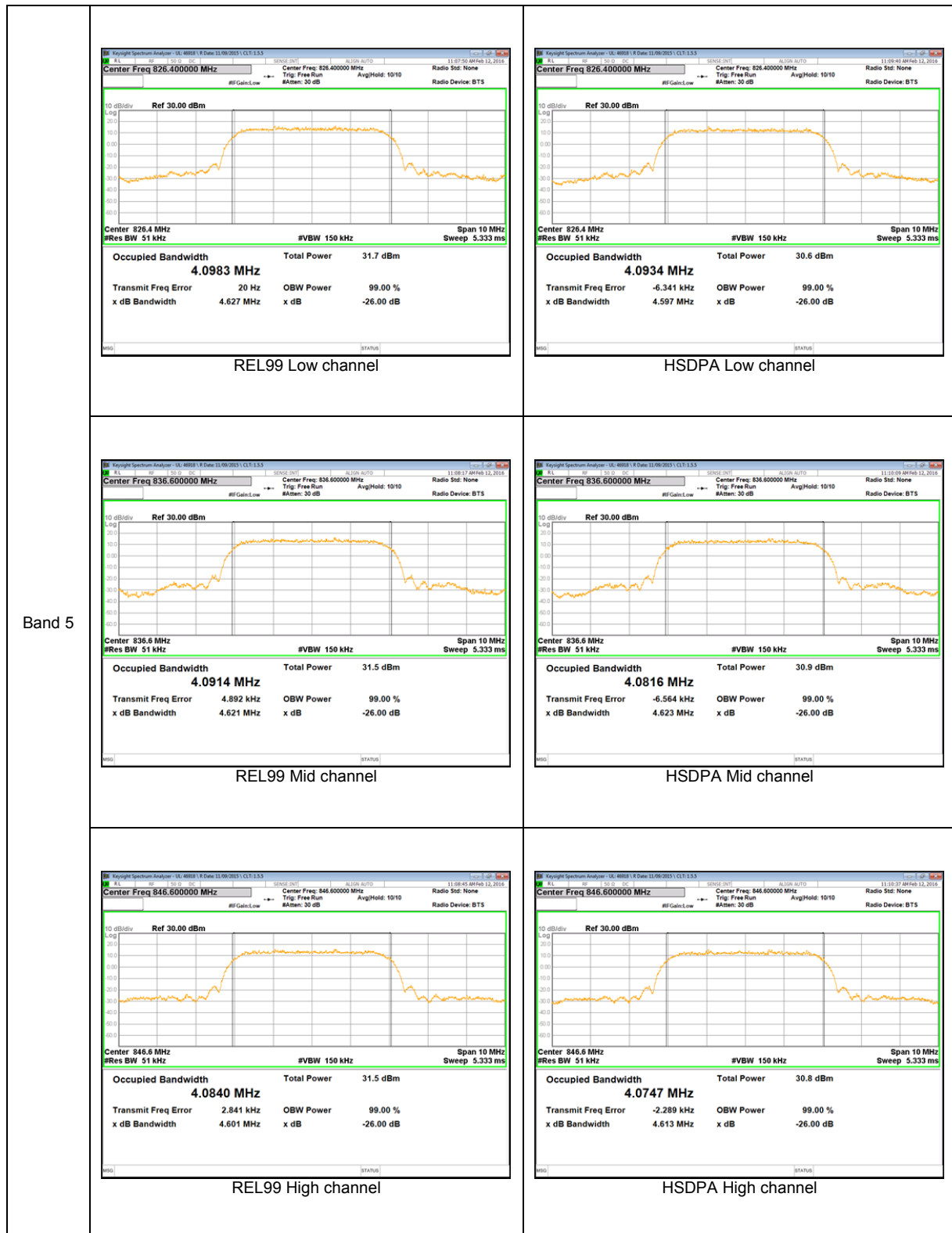
GSM 850



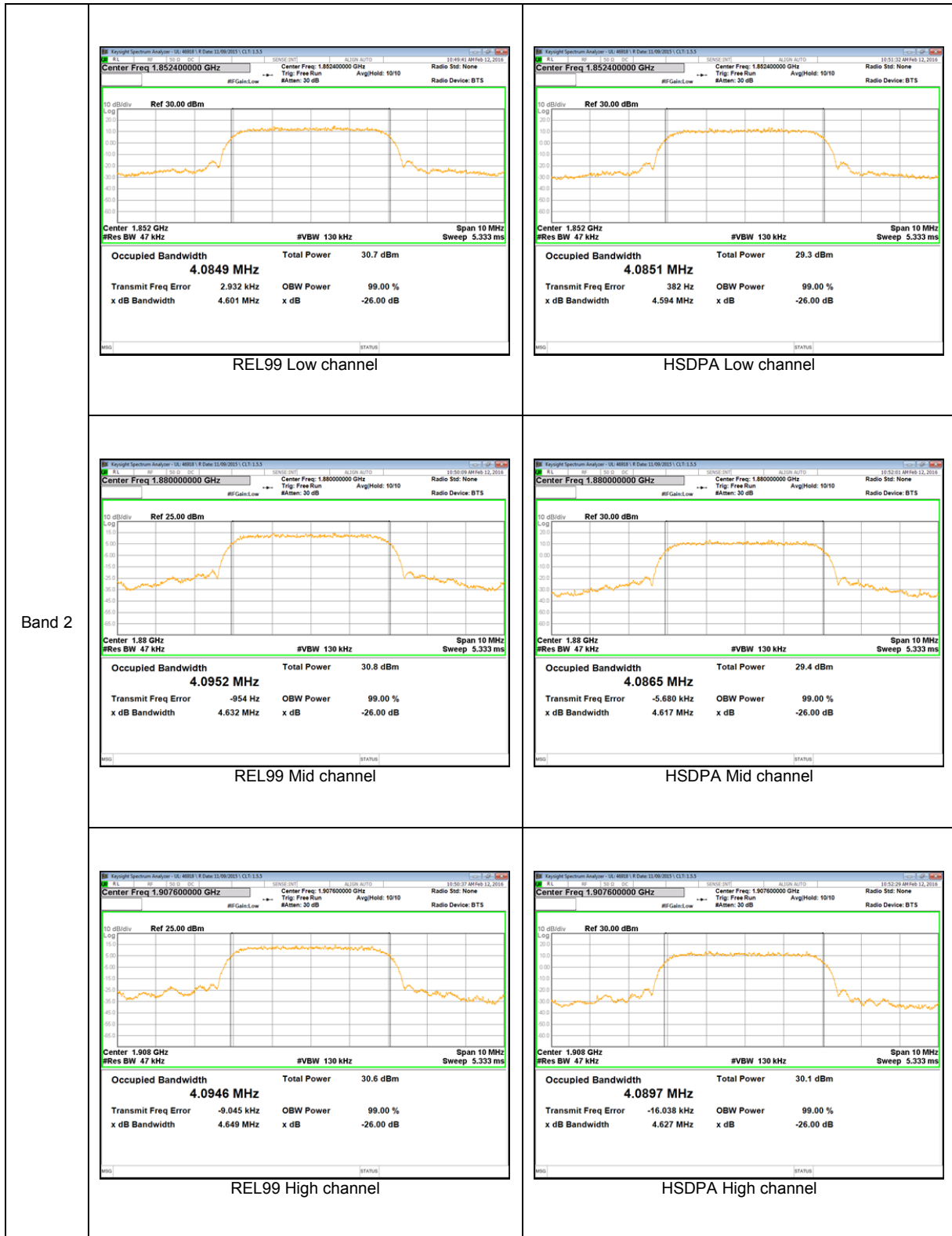
GSM 1900



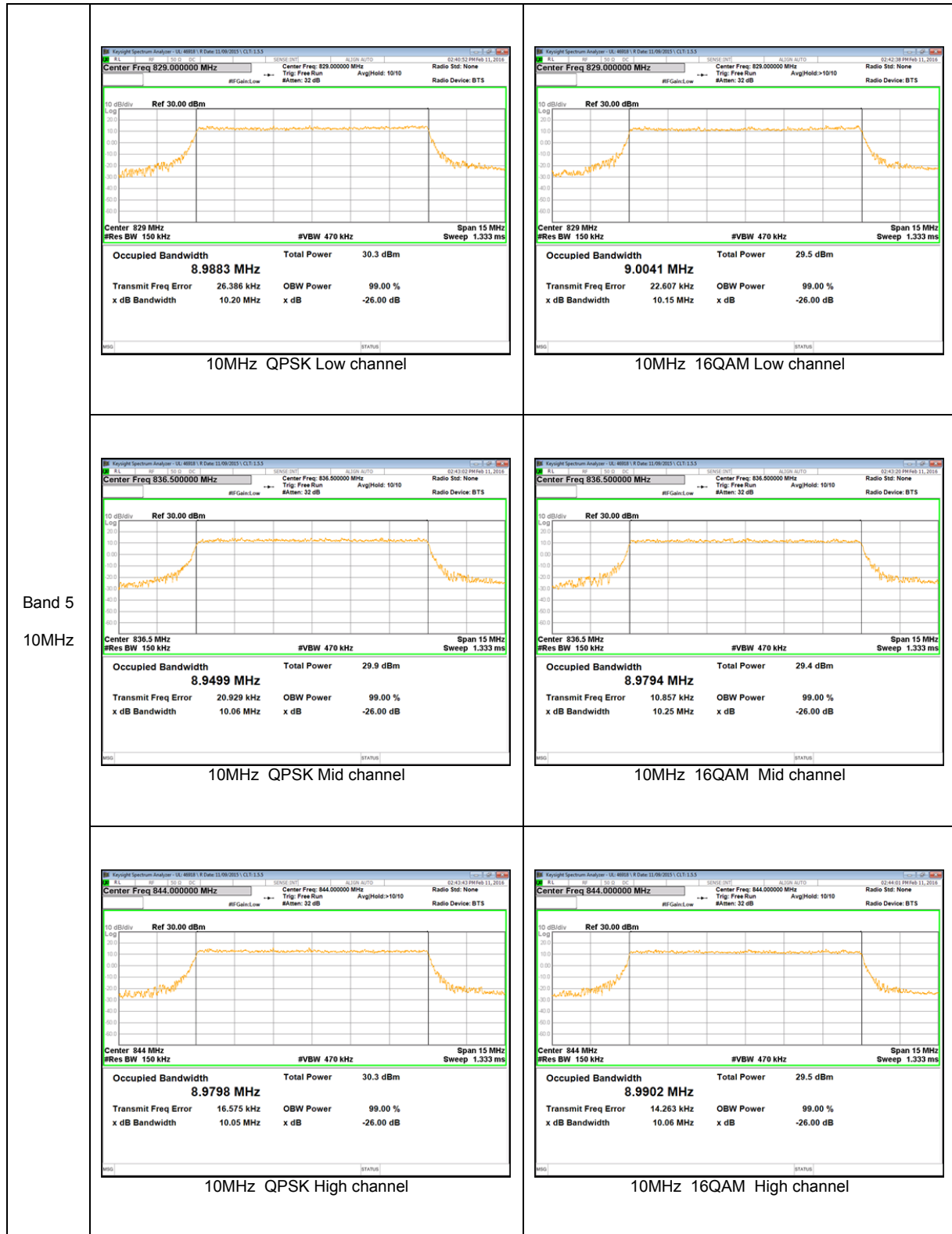
WCDMA Band 5

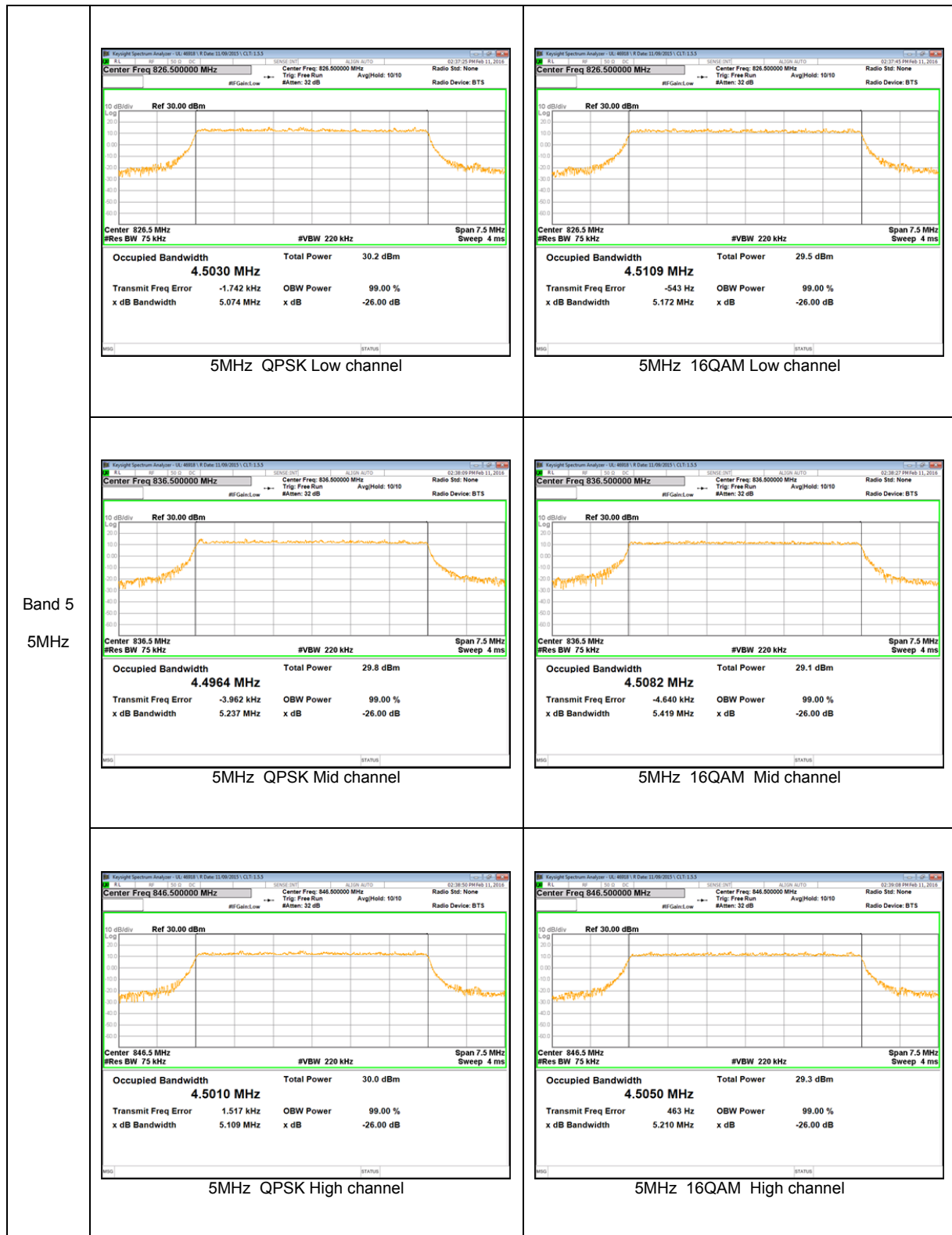


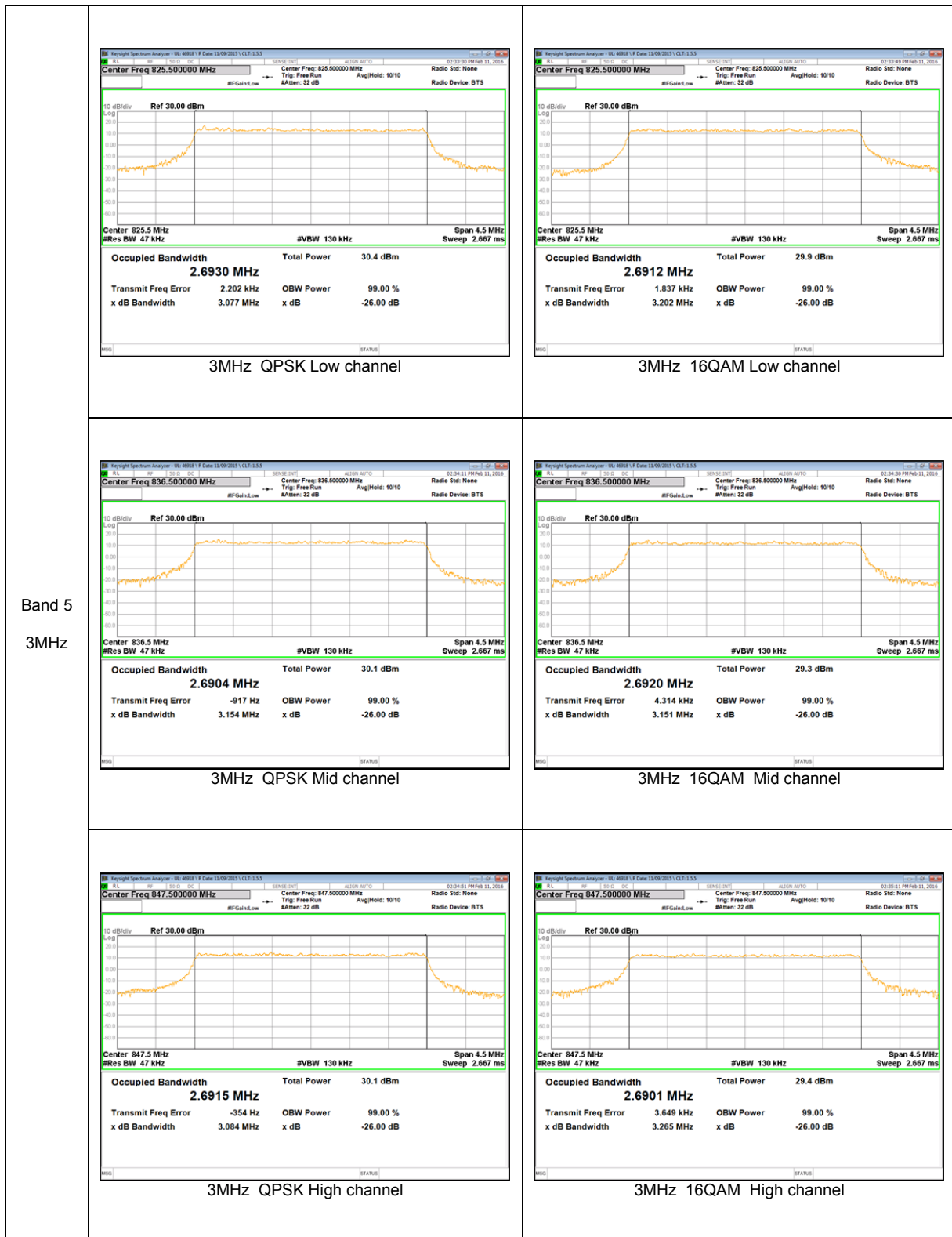
WCDMA Band 2

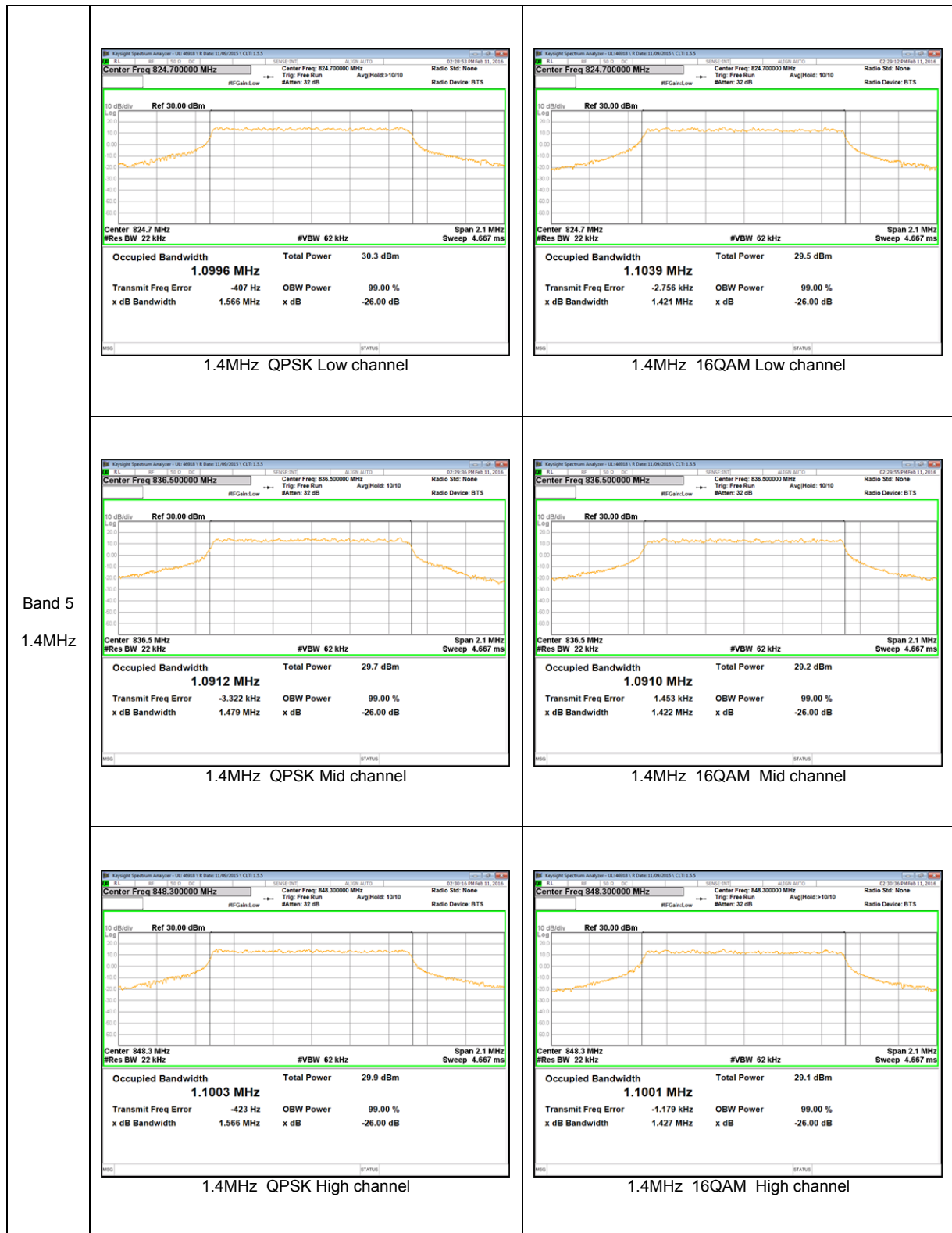


LTE Band 5









10.2. BAND EDGE EMISSIONS

RULE PART(S)

FCC: §22.359, §24.238

LIMITS

The power of any emission outside of the authorized operating frequency ranges must be attenuated below the transmitting power (P) by a factor of at least $43 + 10 \log (P)$ dB.

TEST PROCEDURE

Per KDB 971168 D01 Power Meas License Digital Systems v02r02

The transmitter output was connected to a CMW500 Test Set and configured to operate at maximum power. The band edge emissions were measured at the required operating frequencies in each band on the Spectrum Analyzer.

RESULTS

GSM

Band	Mode	Side	f [MHz]	Level [dBm]	Limit [dBm]
GSM850	GPRS	Lower	823.977	-16.137	-13.00
		Upper	849.023	-16.232	
	EGPRS	Lower	823.987	-23.607	
		Upper	849.003	-21.671	
GSM1900	GPRS	Lower	1849.982	-18.115	
		Upper	1910.023	-18.149	
	EGPRS	Lower	1849.987	-23.623	
		Upper	1910.000	-20.298	

WCDMA

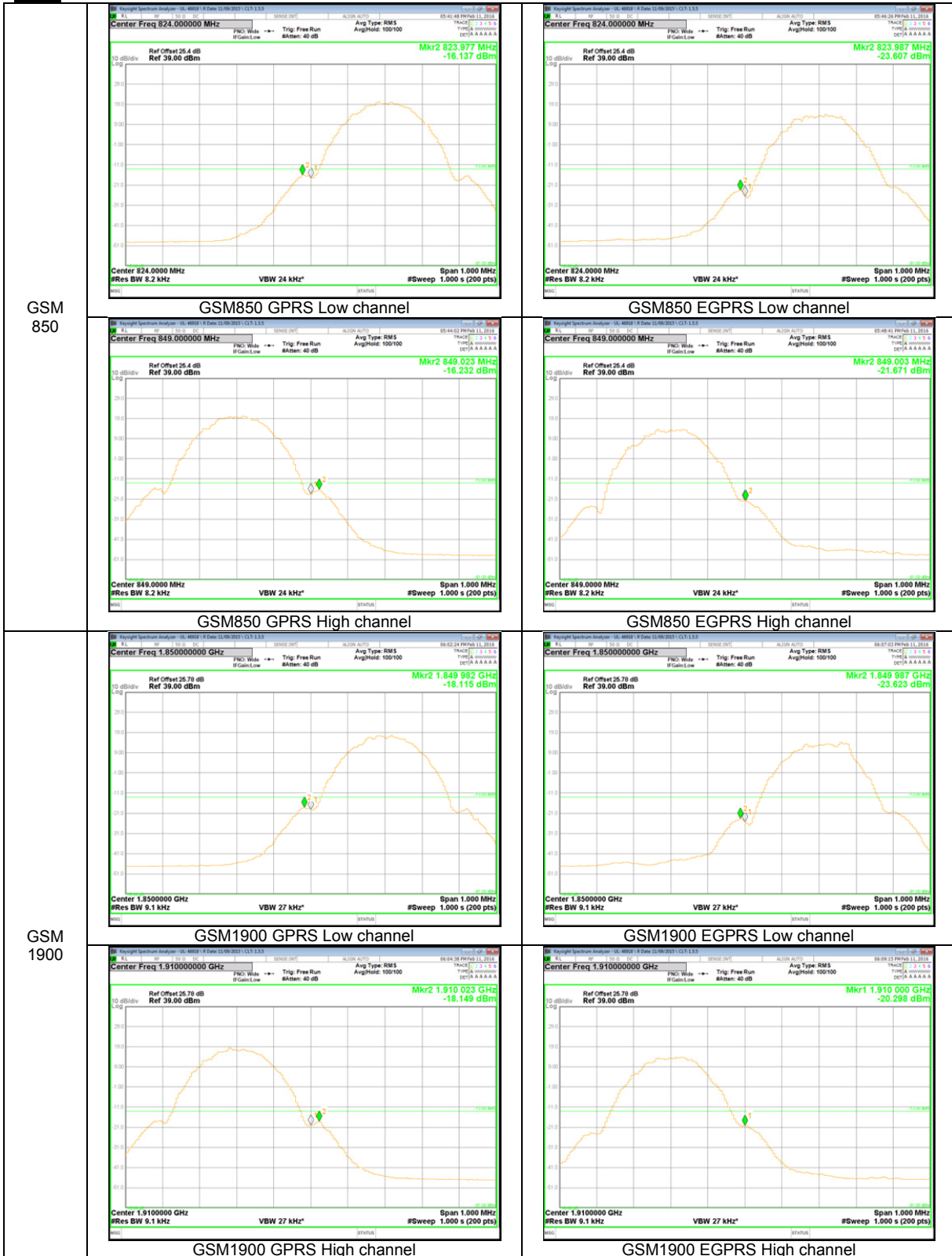
Band	Mode	Side	f [MHz]	Level [dBm]	Limit [dBm]
Band 5	REL99	Lower	824	-29.976	-13.00
		Upper	849	-30.974	
	HSDPA	Lower	824	-32.810	
		Upper	849	-31.257	
Band 2	REL99	Lower	1850	-28.938	
		Upper	1910	-31.370	
	HSDPA	Lower	1850	-32.508	
		Upper	1910	-33.668	

LTE 5

Bandwidth	Mode	Side	RB Status	f [MHz]	Level [dBm]	Limit [dBm]
10 MHz	QPSK	Lower	1RB	824.000	-22.221	-13.00
			FRB	824.000	-33.587	
		Upper	1RB	849.000	-18.806	
			FRB	849.000	-30.944	
	16QAM	Lower	1RB	824.000	-25.045	
			FRB	824.000	-33.794	
		Upper	1RB	849.000	-21.042	
			FRB	849.000	-32.231	
5 MHz	QPSK	Lower	1RB	824.000	-14.487	
			FRB	824.000	-23.537	
		Upper	1RB	849.000	-14.330	
			FRB	849.000	-25.473	
	16QAM	Lower	1RB	824.000	-15.037	
			FRB	824.000	-27.155	
		Upper	1RB	849.000	-16.835	
			FRB	849.000	-25.567	
3 MHz	QPSK	Lower	1RB	824.000	-15.281	
			FRB	824.000	-25.469	
		Upper	1RB	849.000	-14.933	
			FRB	849.000	-26.899	
	16QAM	Lower	1RB	824.000	-16.480	
			FRB	824.000	-25.263	
		Upper	1RB	849.000	-15.719	
			FRB	849.000	-26.464	
1.4 MHz	QPSK	Lower	1RB	824.000	-14.860	
			FRB	824.000	-21.208	
		Upper	1RB	849.000	-15.079	
			FRB	849.000	-22.869	
	16QAM	Lower	1RB	824.000	-14.711	
			FRB	824.000	-21.963	
		Upper	1RB	849.000	-17.428	
			FRB	849.000	-23.293	

10.2.1. BAND EDGE PLOTS

GSM



WCDMA

