

FCC Approval

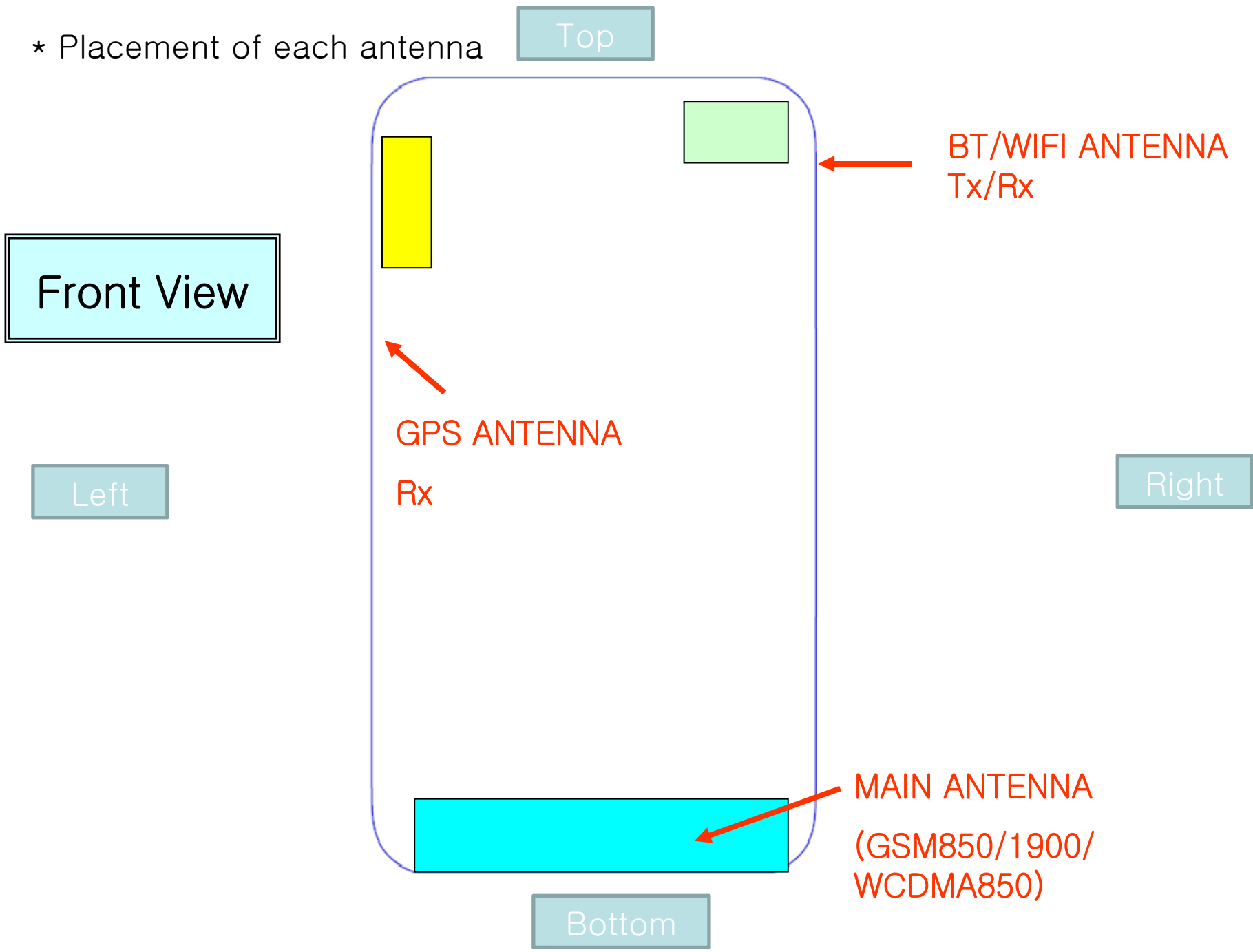
Antenna location & Distance

FCC ID: A3LSMG360HU

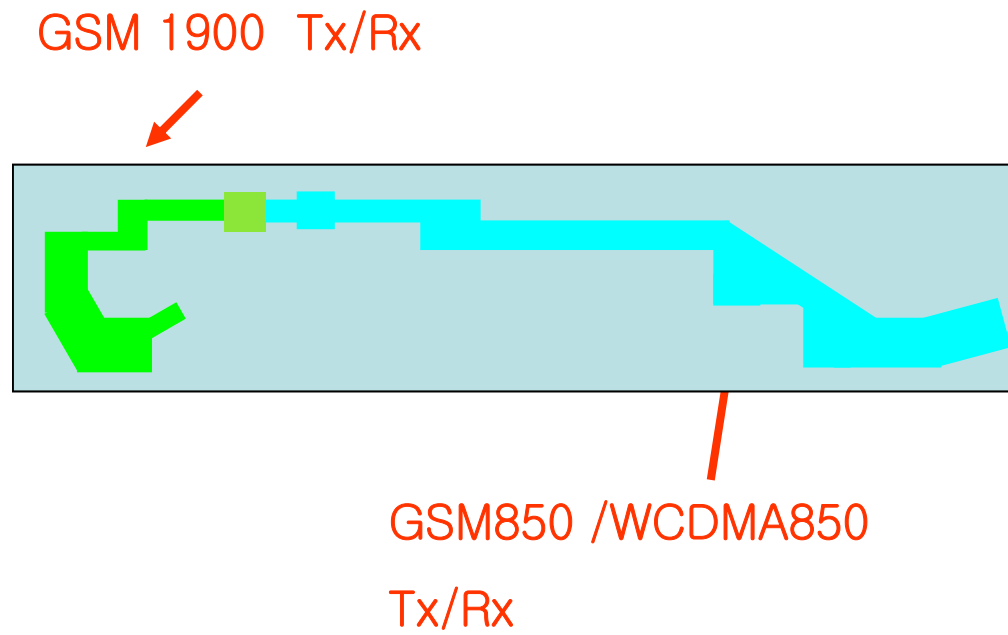
Model: SM-G360HU/DS

Date: 14.11.21

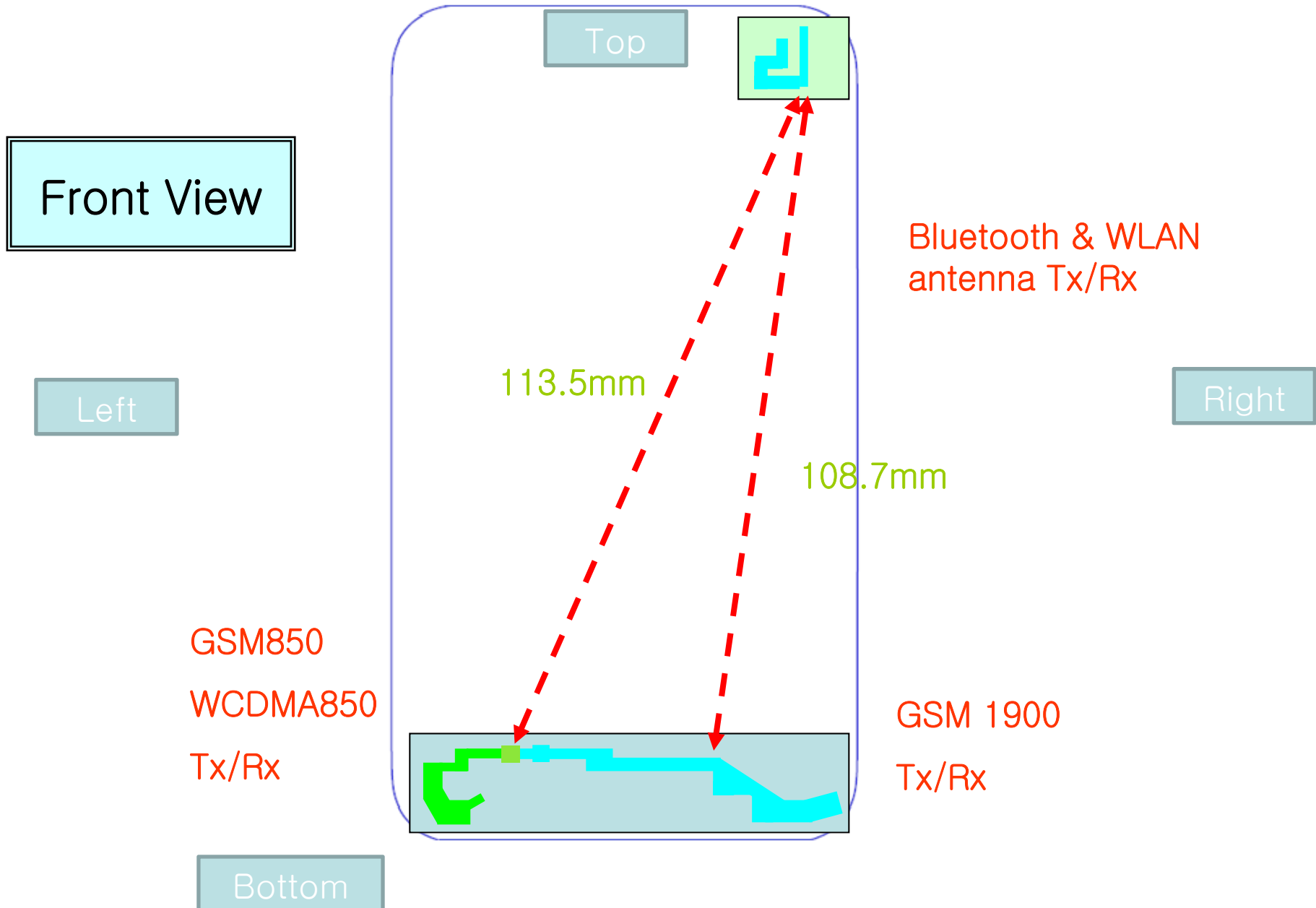
* Placement of each antenna



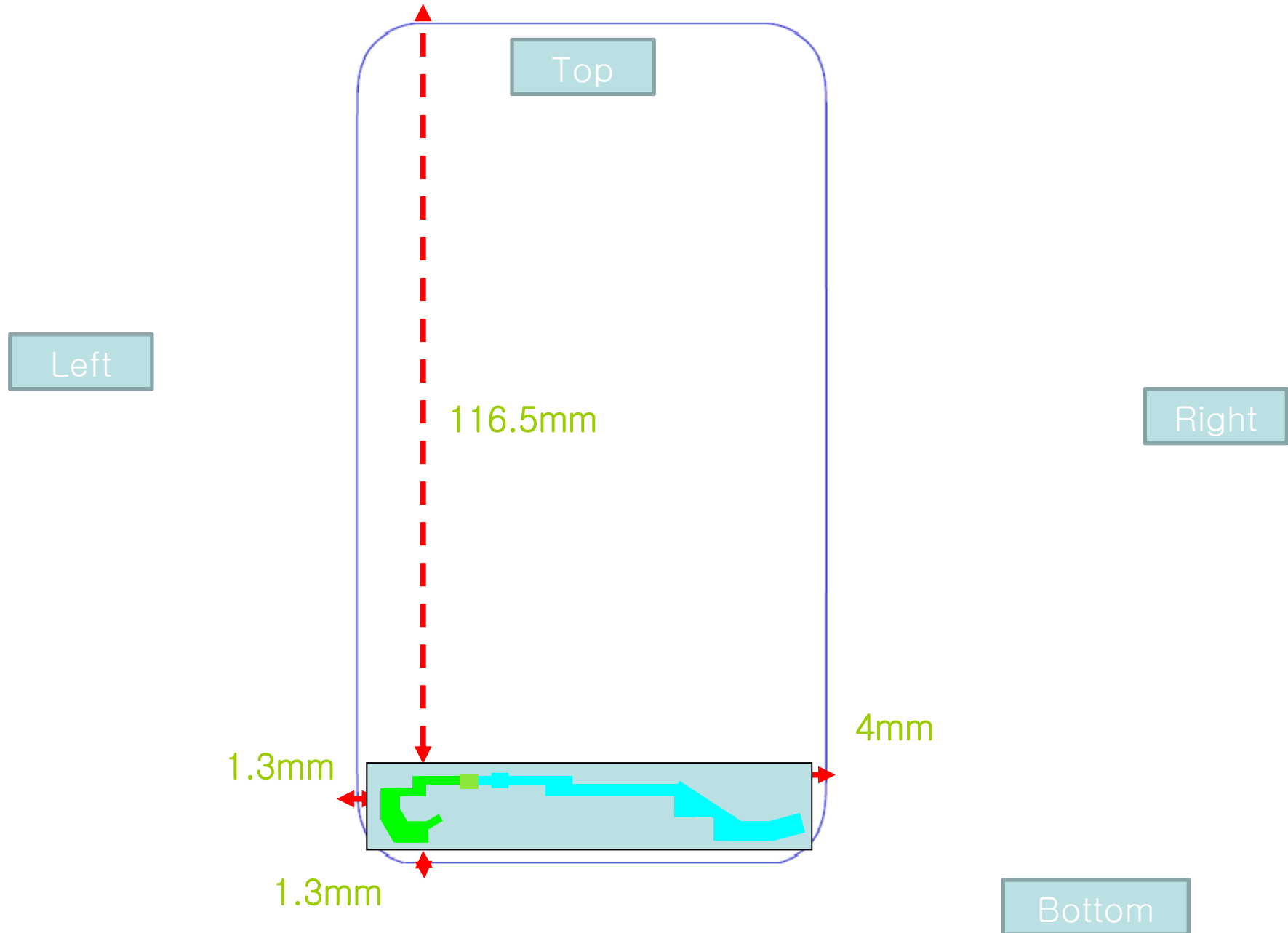
* Antenna pattern (FCC Band만 표기)



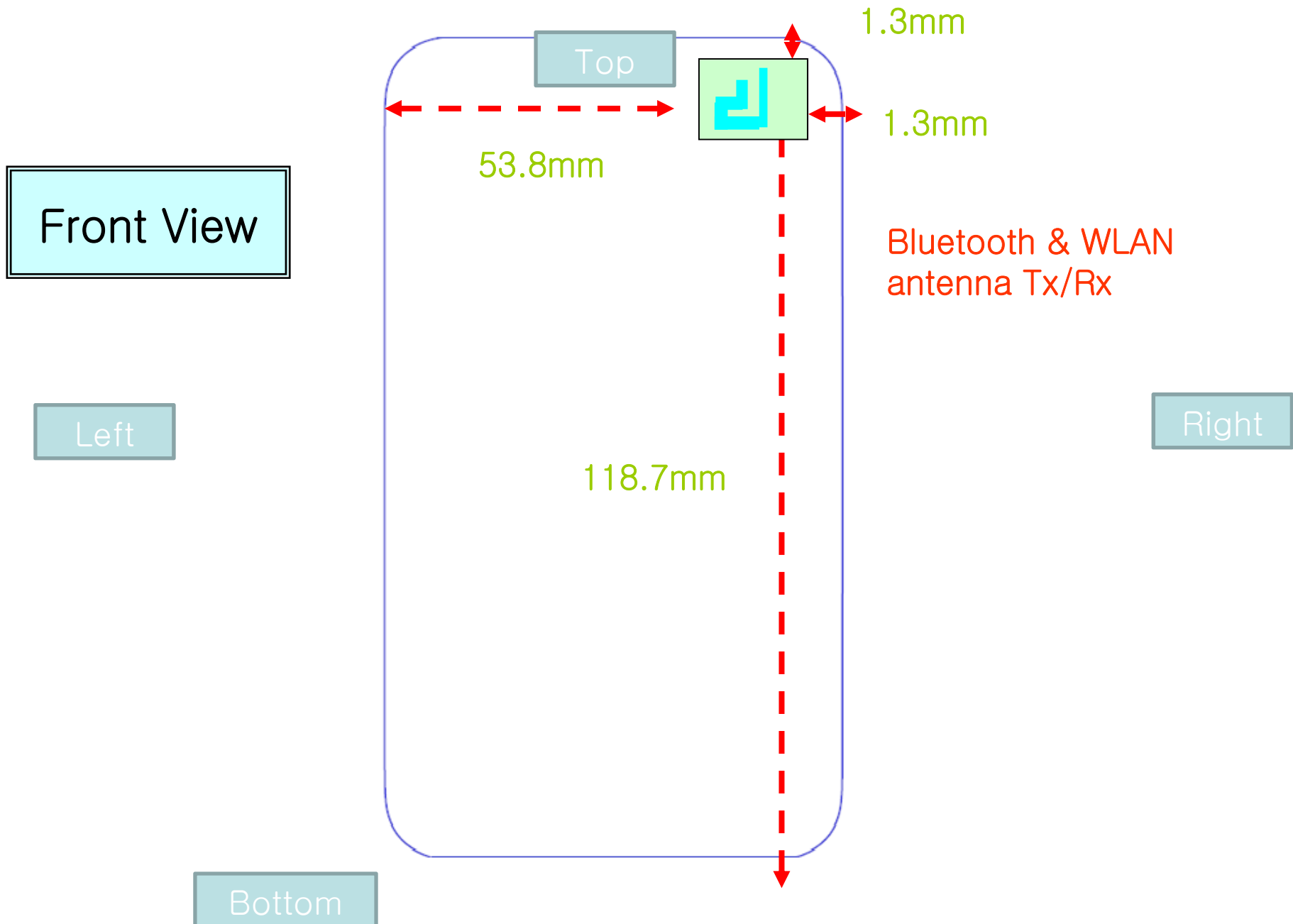
* Distance between BT/WLAN antenna and Main antenna



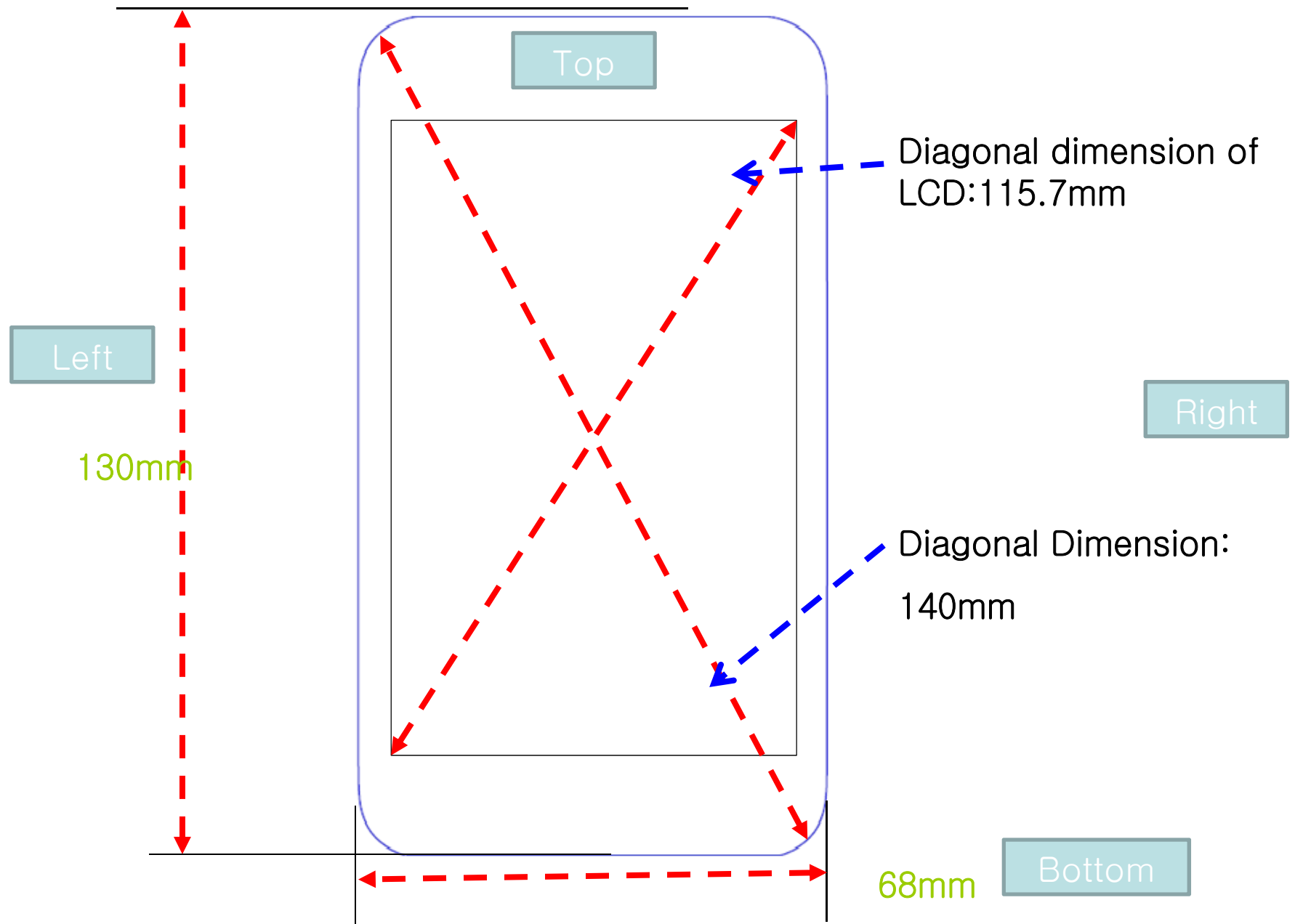
* Distance between Main antenna and edge



* Distance between Bluetooth antenna and edge



* Diagonal dimension of LCD and device

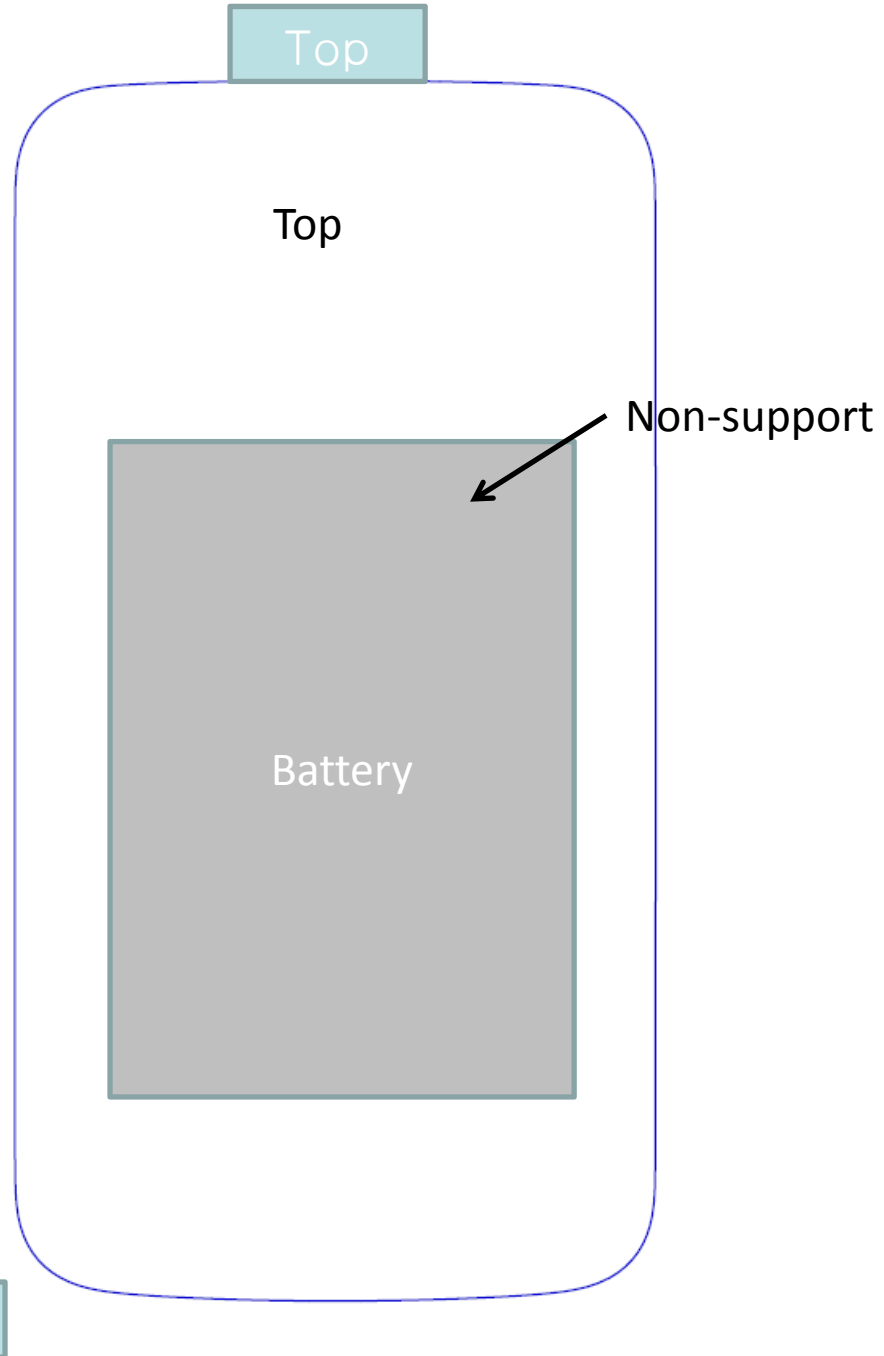


NFC Antenna
Inside of Battery
Cover

Front View

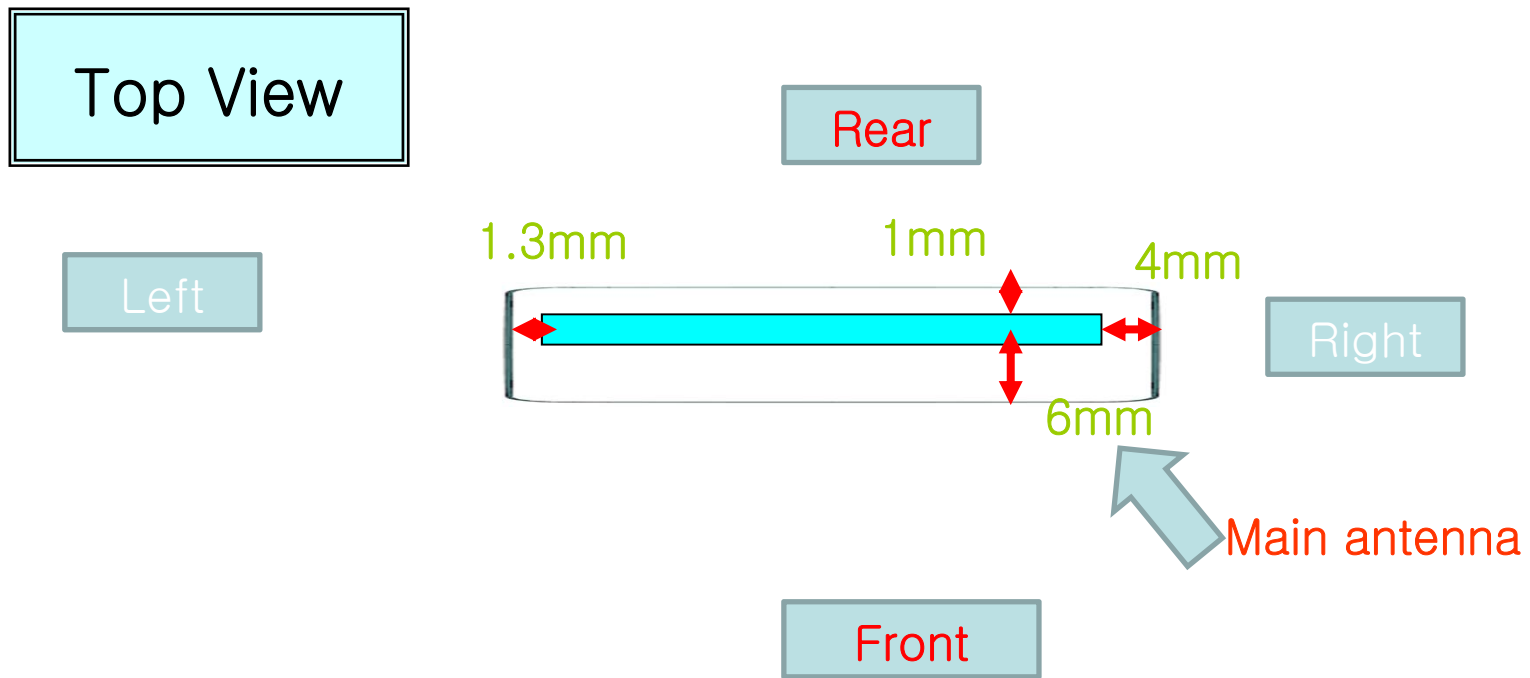
Left

Bottom



Right

* Distance between Main antenna and edge



* Distance between Bluetooth antenna and edge

