

FCC Approval

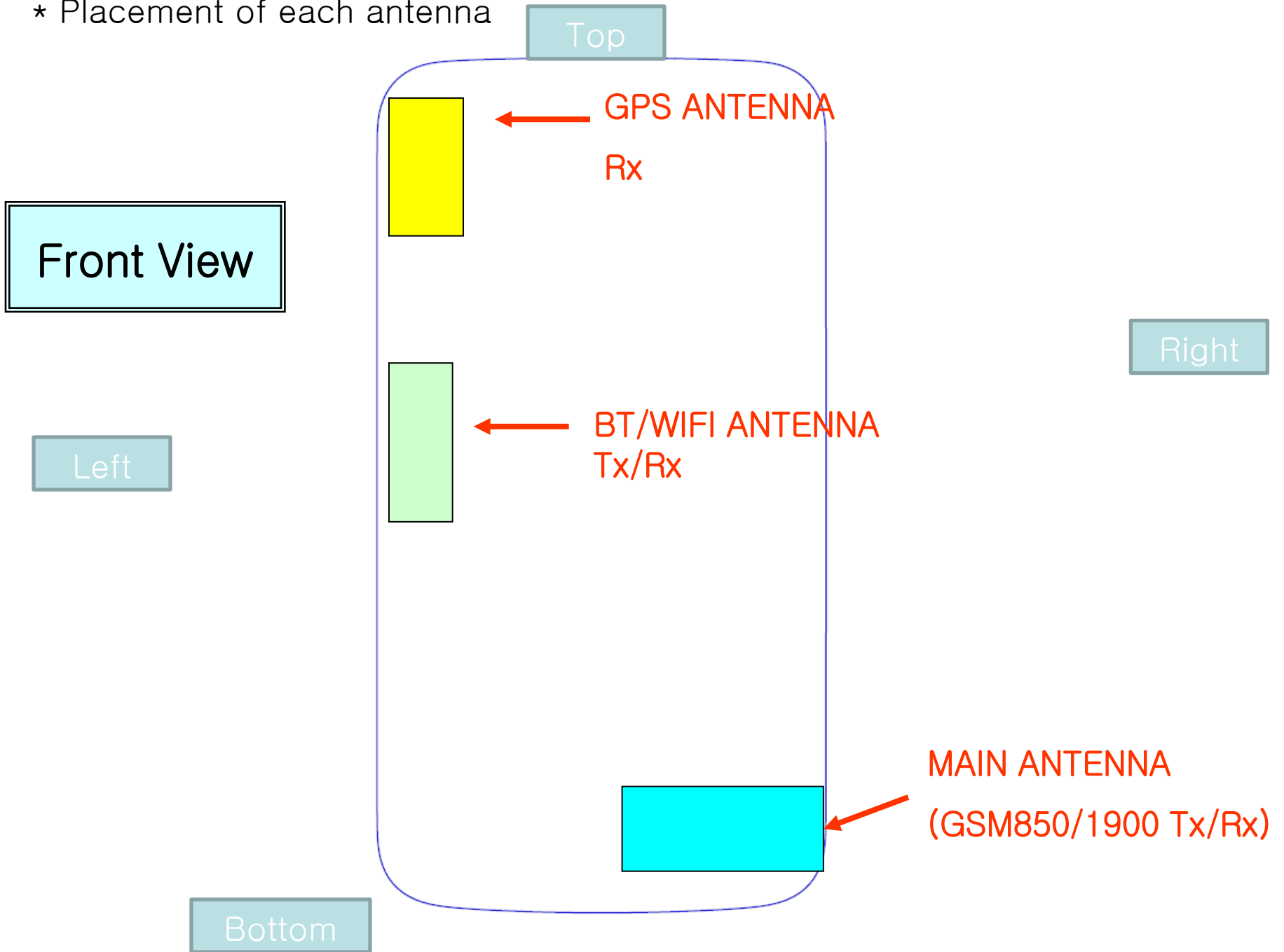
Antenna location & Distance

FCC ID: A3LGTI9060I

Model: GT-I9060I/DS

Date: 2014.11.06

* Placement of each antenna

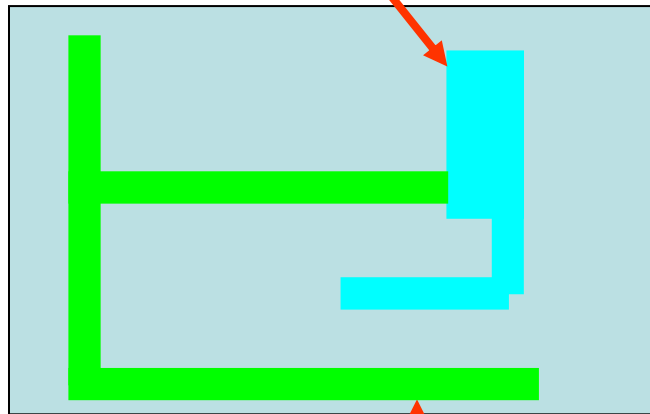


* Antenna pattern

GSM 1900

WCDMA1900

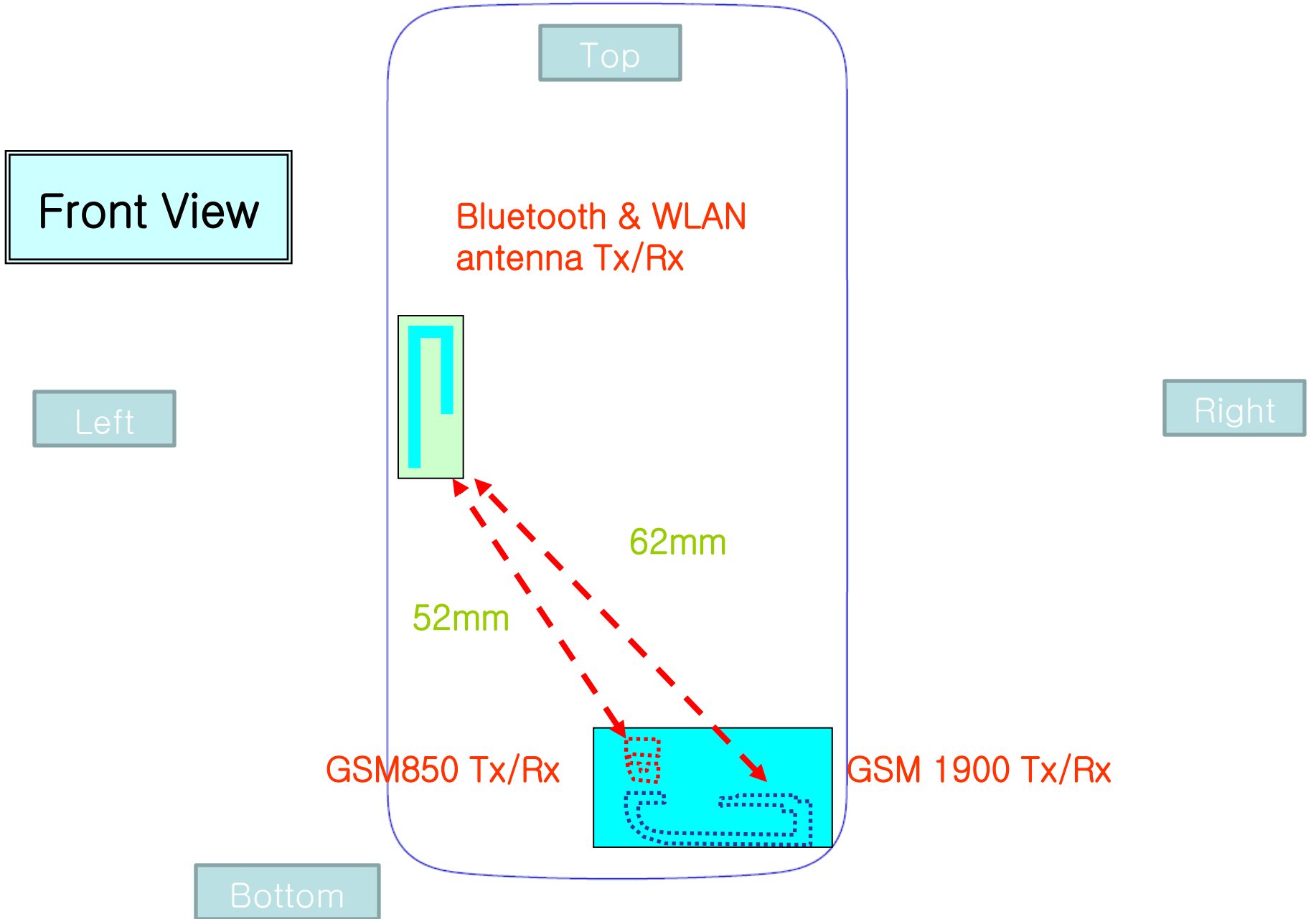
Tx/Rx



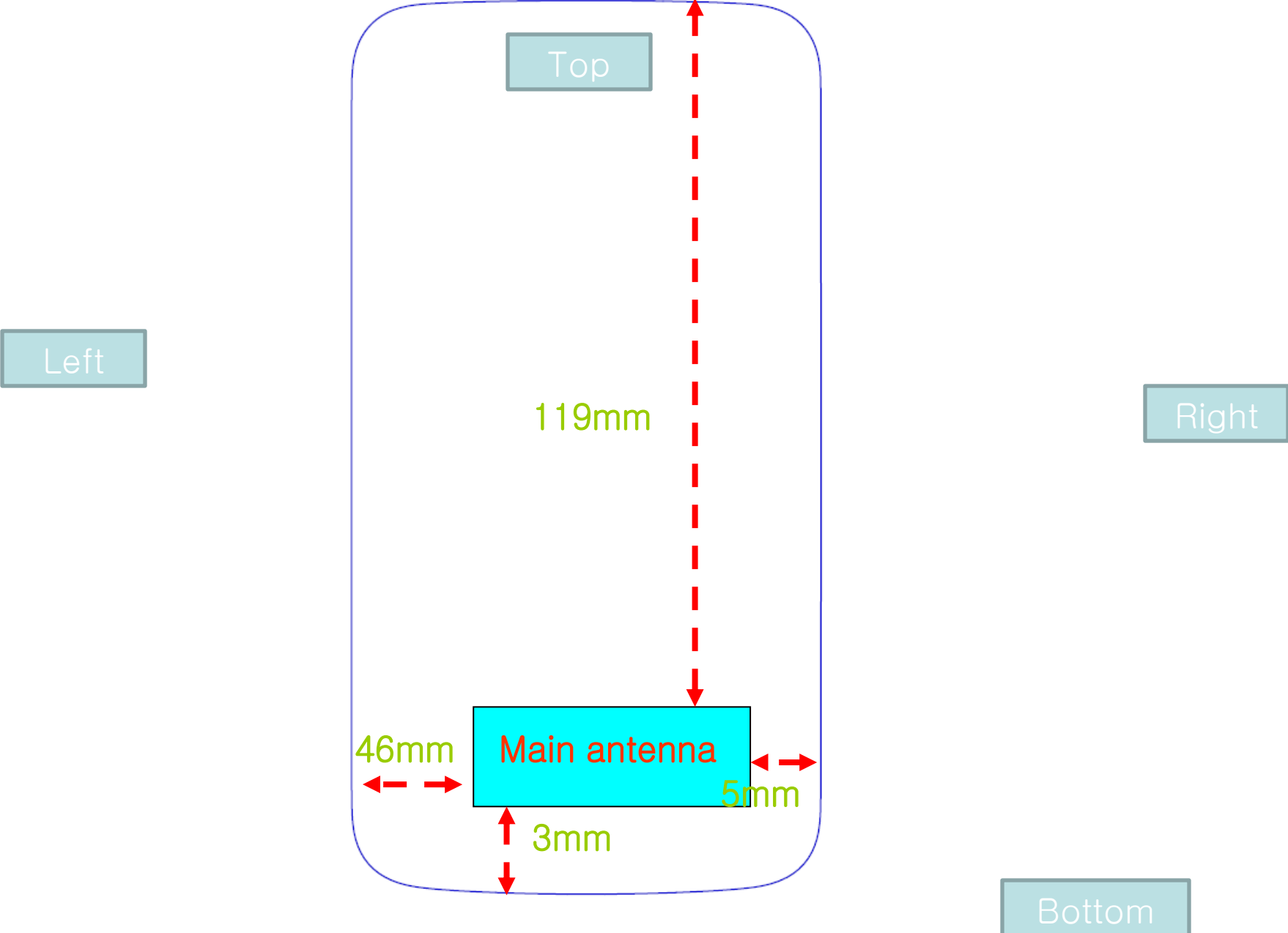
GSM850

WCDMA850 Tx/Rx

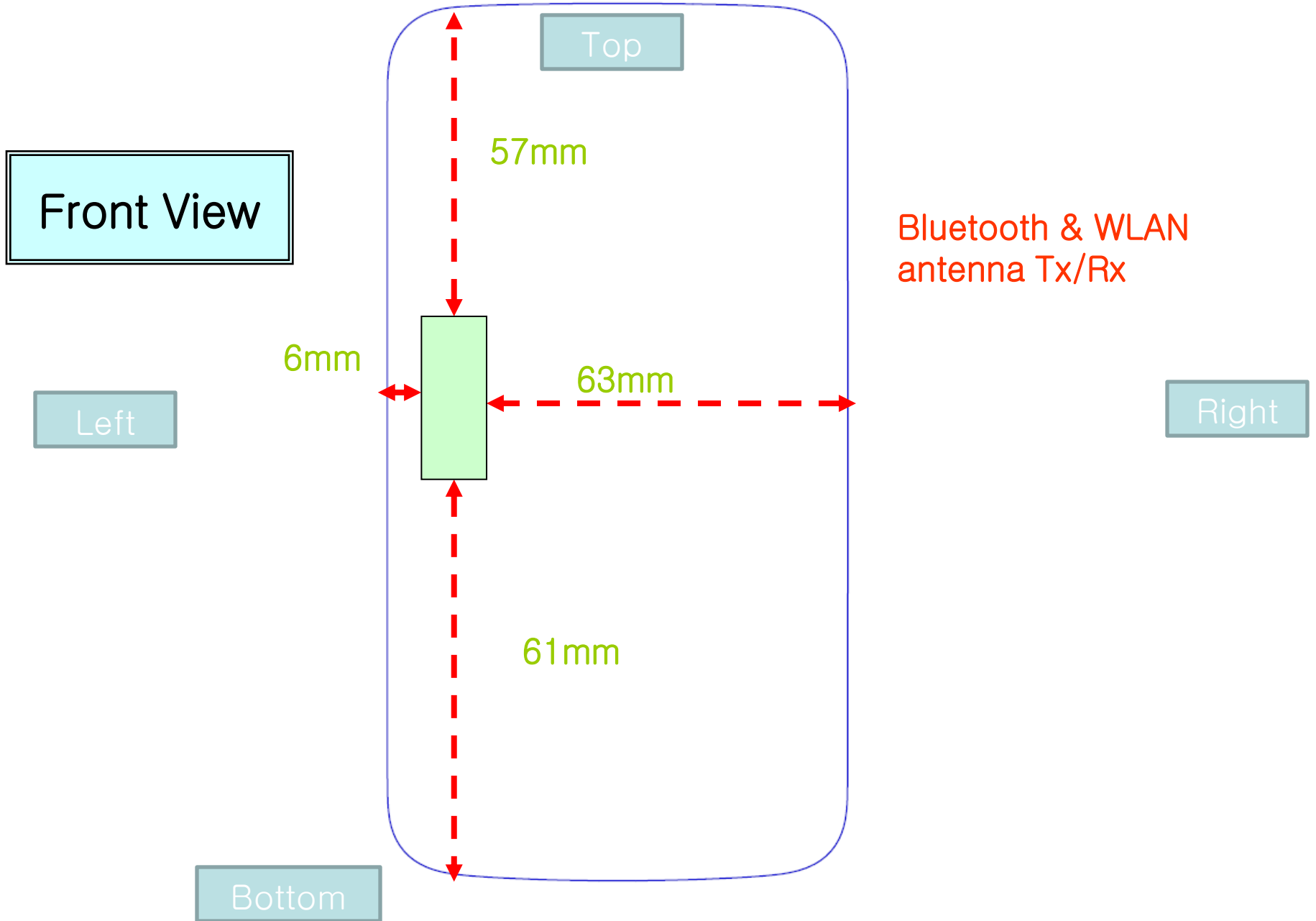
* Distance between BT/WLAN antenna and Main antenna



* Distance between Main antenna and edge



* Distance between Bluetooth antenna and edge



* Diagonal dimension of LCD and device

