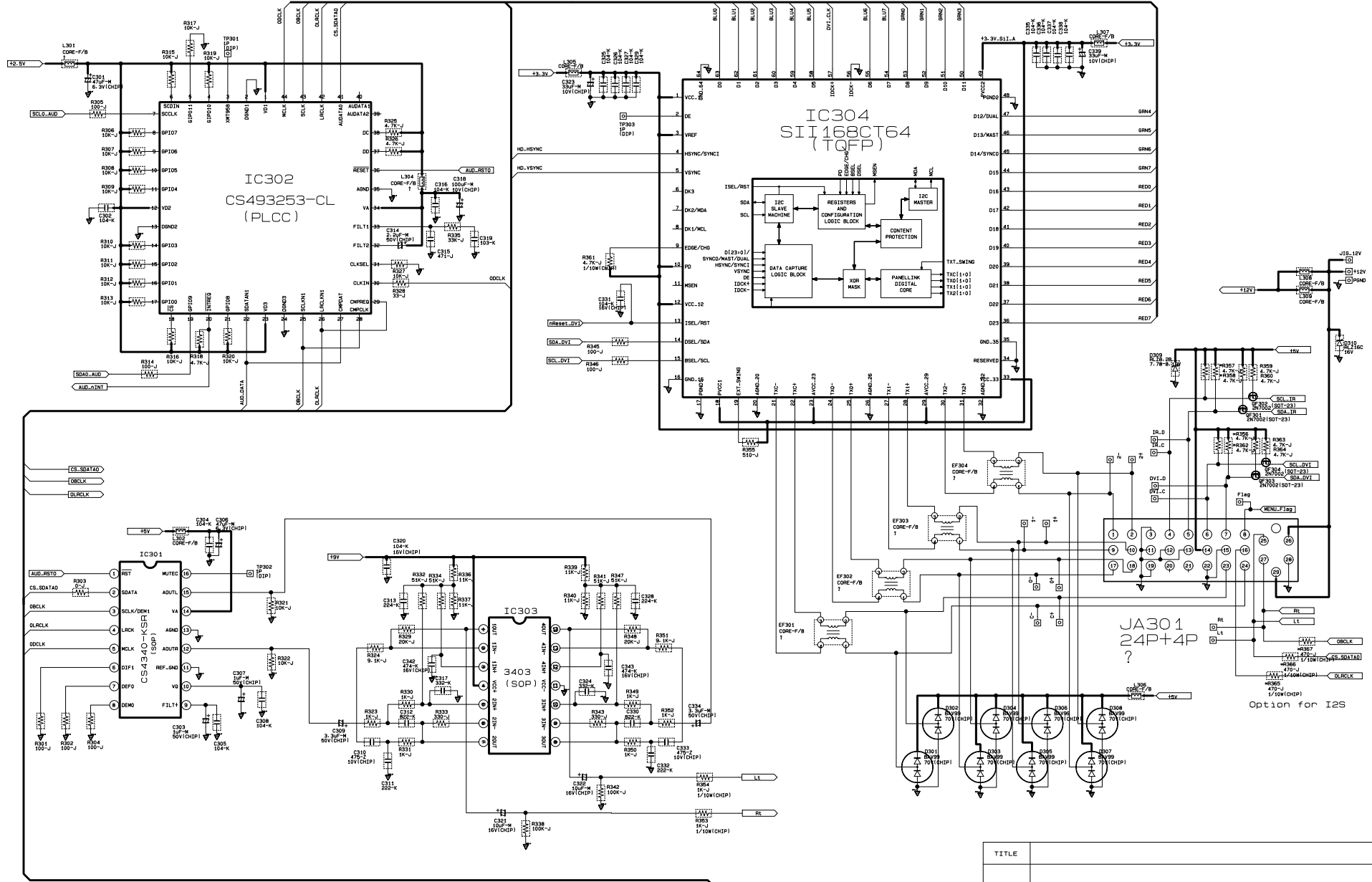


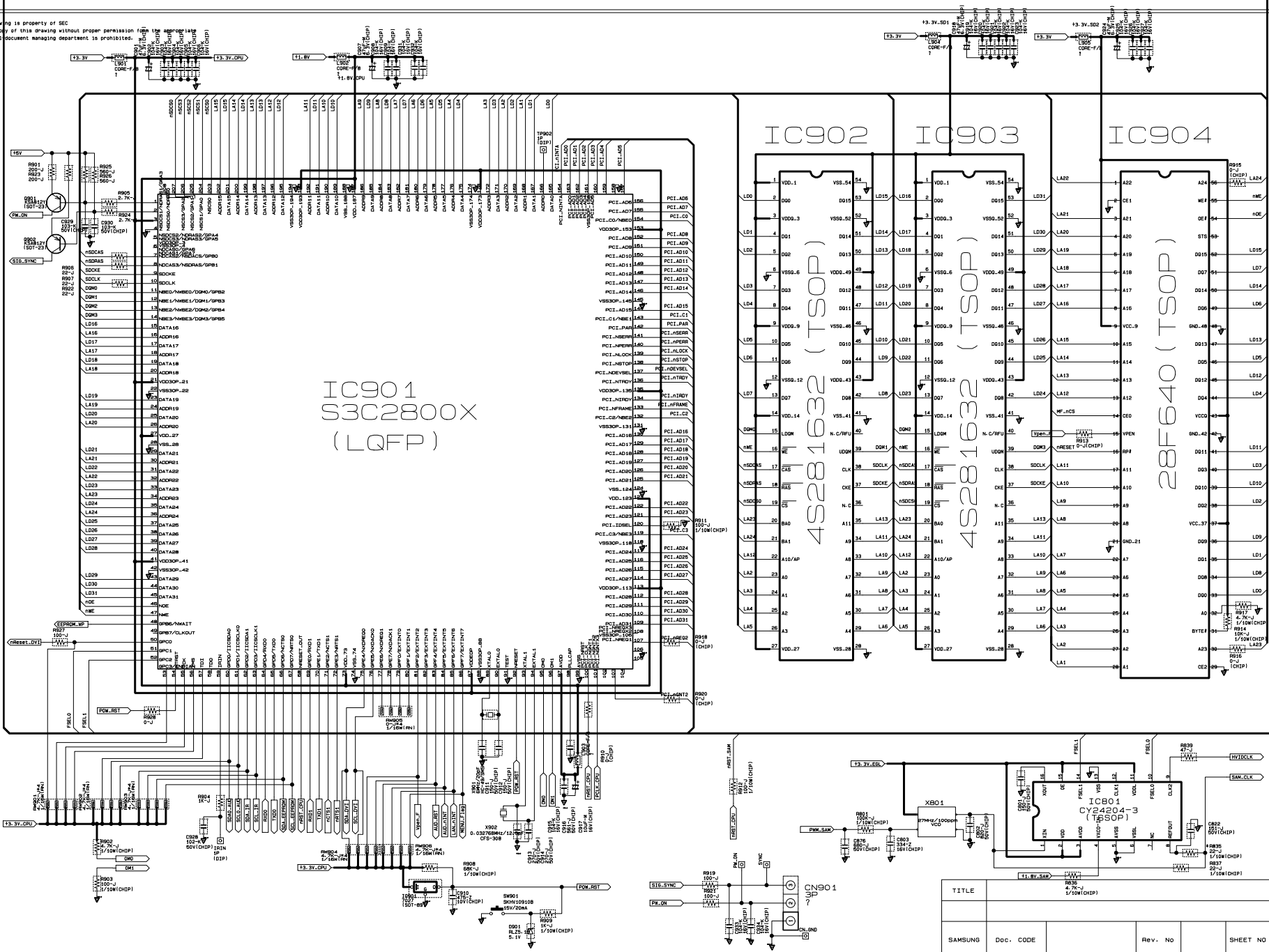
This drawing is property of SEC
 Use on copy of this drawing without proper permission from the appropriate
 technical-document managing department is prohibited.



TITLE				
SAMSUNG	Doc. CODE	Rev. No	SHEET NO	/

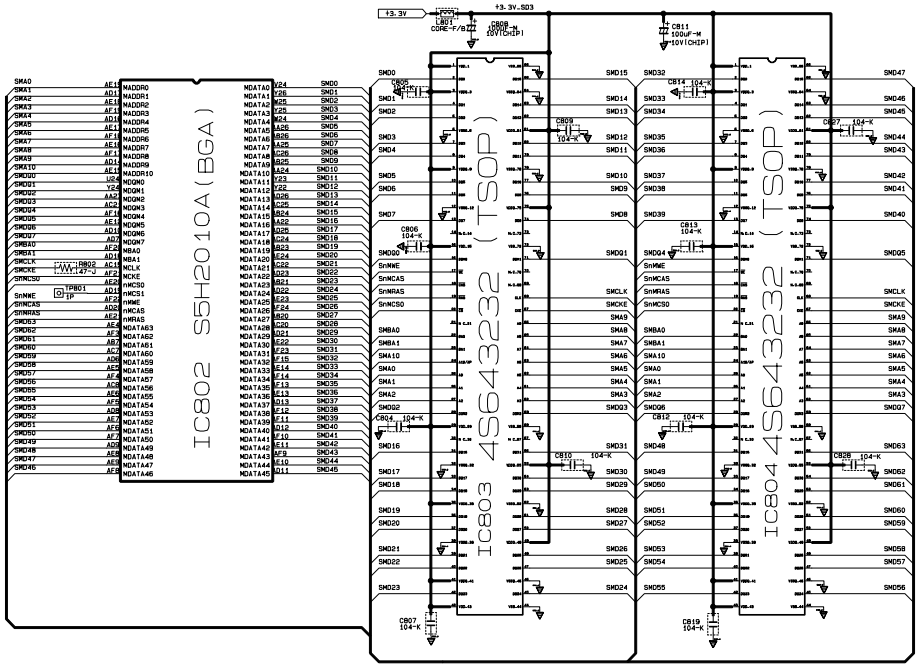
This drawing is property of SEC. Use or copy of this drawing without proper permission from the appropriate technical document managing department is prohibited.

This drawing is property of SEC. Use or copy of this drawing without proper permission from the appropriate technical document managing department is prohibited.



TITLE	
SAMSUNG Doc. CODE	
Rev. No	
SHEET NO	

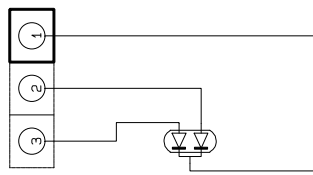
This drawing is property of SEC
 Use of copy of this drawing without proper permission from the appropriate
 technical-document managing department is prohibited.



This drawing is property of SEC
 Use or copy of this drawing without proper permission from the appropriate
 technical-document managing department is prohibited.

H
G
F
E
D
C
B
A

CN50 1
3P
?



LD50 1
5.0MM
?

TITLE					
SAMSUNG	Doc. CODE		Rev. No		SHEET NO /

1 2 3 4 5 6

6

5

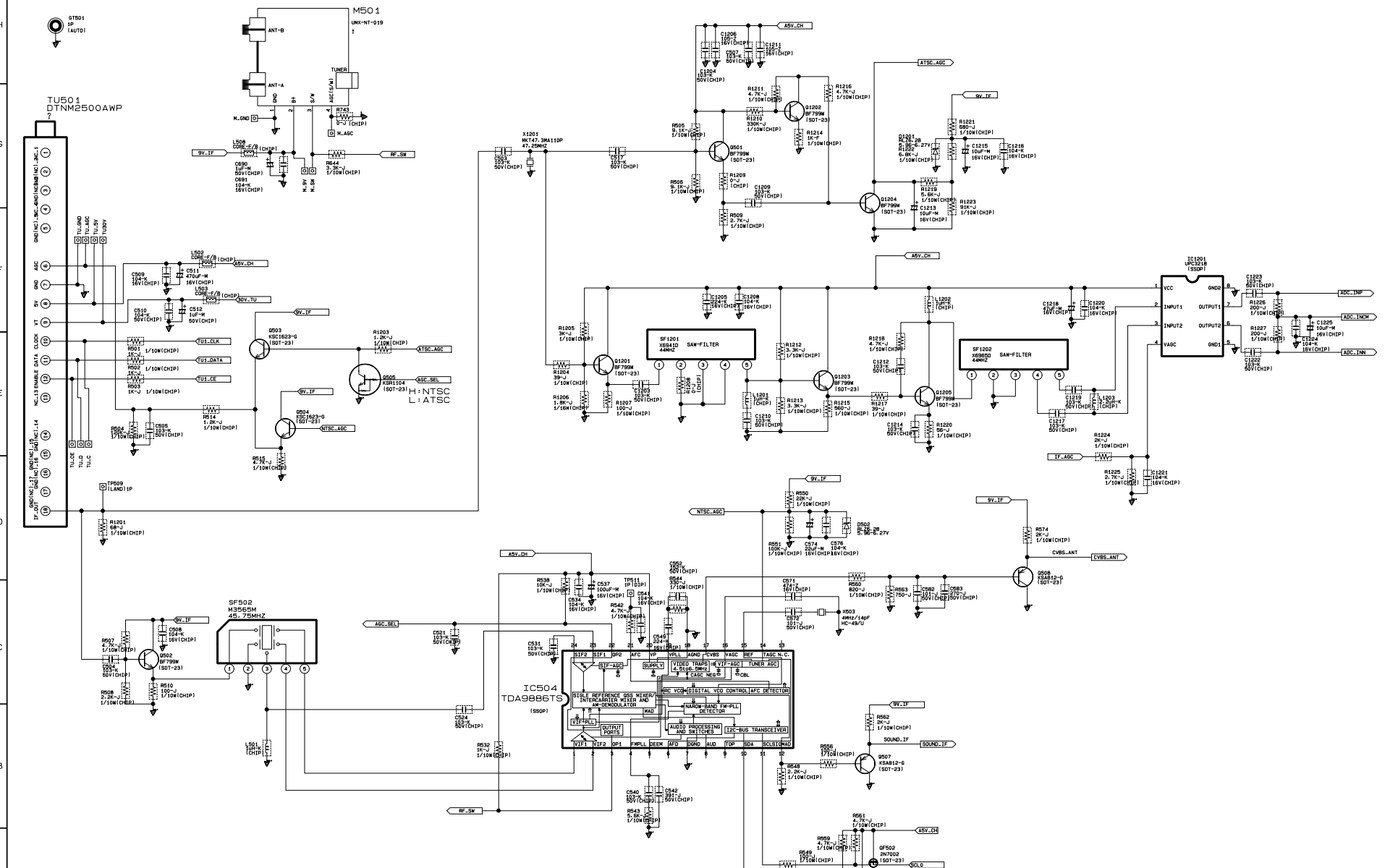
4

3

2

1

This drawing is property of SEC
 Use or copy of this drawing without proper permission from the appropriate
 technical-document managing department is prohibited.



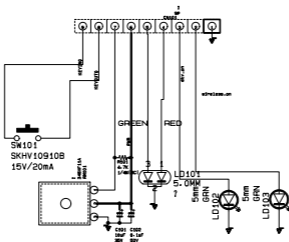
This drawing is property of SEC

SCHEMATIC
 SDA-101
 FS-5
 REL-15
 MEN-15

R101
 R102
 R103
 R104
 R105
 R106
 R107
 R108
 R109
 R110
 R111
 R112
 R113
 R114
 R115
 R116
 R117
 R118
 R119
 R120
 R121
 R122
 R123
 R124
 R125
 R126
 R127
 R128
 R129
 R130
 R131
 R132
 R133
 R134
 R135
 R136
 R137
 R138
 R139
 R140
 R141
 R142
 R143
 R144
 R145
 R146
 R147
 R148
 R149
 R150
 R151
 R152
 R153
 R154
 R155
 R156
 R157
 R158
 R159
 R160
 R161
 R162
 R163
 R164
 R165
 R166
 R167
 R168
 R169
 R170
 R171
 R172
 R173
 R174
 R175
 R176
 R177
 R178
 R179
 R180
 R181
 R182
 R183
 R184
 R185
 R186
 R187
 R188
 R189
 R190
 R191
 R192
 R193
 R194
 R195
 R196
 R197
 R198
 R199
 R200
 R201
 R202
 R203
 R204
 R205
 R206
 R207
 R208
 R209
 R210
 R211
 R212
 R213
 R214
 R215
 R216
 R217
 R218
 R219
 R220
 R221
 R222
 R223
 R224
 R225
 R226
 R227
 R228
 R229
 R230
 R231
 R232
 R233
 R234
 R235
 R236
 R237
 R238
 R239
 R240
 R241
 R242
 R243
 R244
 R245
 R246
 R247
 R248
 R249
 R250
 R251
 R252
 R253
 R254
 R255
 R256
 R257
 R258
 R259
 R260
 R261
 R262
 R263
 R264
 R265
 R266
 R267
 R268
 R269
 R270
 R271
 R272
 R273
 R274
 R275
 R276
 R277
 R278
 R279
 R280
 R281
 R282
 R283
 R284
 R285
 R286
 R287
 R288
 R289
 R290
 R291
 R292
 R293
 R294
 R295
 R296
 R297
 R298
 R299
 R300
 R301
 R302
 R303
 R304
 R305
 R306
 R307
 R308
 R309
 R310
 R311
 R312
 R313
 R314
 R315
 R316
 R317
 R318
 R319
 R320
 R321
 R322
 R323
 R324
 R325
 R326
 R327
 R328
 R329
 R330
 R331
 R332
 R333
 R334
 R335
 R336
 R337
 R338
 R339
 R340
 R341
 R342
 R343
 R344
 R345
 R346
 R347
 R348
 R349
 R350
 R351
 R352
 R353
 R354
 R355
 R356
 R357
 R358
 R359
 R360
 R361
 R362
 R363
 R364
 R365
 R366
 R367
 R368
 R369
 R370
 R371
 R372
 R373
 R374
 R375
 R376
 R377
 R378
 R379
 R380
 R381
 R382
 R383
 R384
 R385
 R386
 R387
 R388
 R389
 R390
 R391
 R392
 R393
 R394
 R395
 R396
 R397
 R398
 R399
 R400
 R401
 R402
 R403
 R404
 R405
 R406
 R407
 R408
 R409
 R410
 R411
 R412
 R413
 R414
 R415
 R416
 R417
 R418
 R419
 R420
 R421
 R422
 R423
 R424
 R425
 R426
 R427
 R428
 R429
 R430
 R431
 R432
 R433
 R434
 R435
 R436
 R437
 R438
 R439
 R440
 R441
 R442
 R443
 R444
 R445
 R446
 R447
 R448
 R449
 R450
 R451
 R452
 R453
 R454
 R455
 R456
 R457
 R458
 R459
 R460
 R461
 R462
 R463
 R464
 R465
 R466
 R467
 R468
 R469
 R470
 R471
 R472
 R473
 R474
 R475
 R476
 R477
 R478
 R479
 R480
 R481
 R482
 R483
 R484
 R485
 R486
 R487
 R488
 R489
 R490
 R491
 R492
 R493
 R494
 R495
 R496
 R497
 R498
 R499
 R500
 R501
 R502
 R503
 R504
 R505
 R506
 R507
 R508
 R509
 R510
 R511
 R512
 R513
 R514
 R515
 R516
 R517
 R518
 R519
 R520
 R521
 R522
 R523
 R524
 R525
 R526
 R527
 R528
 R529
 R530
 R531
 R532
 R533
 R534
 R535
 R536
 R537
 R538
 R539
 R540
 R541
 R542
 R543
 R544
 R545
 R546
 R547
 R548
 R549
 R550
 R551
 R552
 R553
 R554
 R555
 R556
 R557
 R558
 R559
 R560
 R561
 R562
 R563
 R564
 R565
 R566
 R567
 R568
 R569
 R570
 R571
 R572
 R573
 R574
 R575
 R576
 R577
 R578
 R579
 R580
 R581
 R582
 R583
 R584
 R585
 R586
 R587
 R588
 R589
 R590
 R591
 R592
 R593
 R594
 R595
 R596
 R597
 R598
 R599
 R600
 R601
 R602
 R603
 R604
 R605
 R606
 R607
 R608
 R609
 R610
 R611
 R612
 R613
 R614
 R615
 R616
 R617
 R618
 R619
 R620
 R621
 R622
 R623
 R624
 R625
 R626
 R627
 R628
 R629
 R630
 R631
 R632
 R633
 R634
 R635
 R636
 R637
 R638
 R639
 R640
 R641
 R642
 R643
 R644
 R645
 R646
 R647
 R648
 R649
 R650
 R651
 R652
 R653
 R654
 R655
 R656
 R657
 R658
 R659
 R660
 R661
 R662
 R663
 R664
 R665
 R666
 R667
 R668
 R669
 R670
 R671
 R672
 R673
 R674
 R675
 R676
 R677
 R678
 R679
 R680
 R681
 R682
 R683
 R684
 R685
 R686
 R687
 R688
 R689
 R690
 R691
 R692
 R693
 R694
 R695
 R696
 R697
 R698
 R699
 R700
 R701
 R702
 R703
 R704
 R705
 R706
 R707
 R708
 R709
 R710
 R711
 R712
 R713
 R714
 R715
 R716
 R717
 R718
 R719
 R720
 R721
 R722
 R723
 R724
 R725
 R726
 R727
 R728
 R729
 R730
 R731
 R732
 R733
 R734
 R735
 R736
 R737
 R738
 R739
 R740
 R741
 R742
 R743
 R744
 R745
 R746
 R747
 R748
 R749
 R750
 R751
 R752
 R753
 R754
 R755
 R756
 R757
 R758
 R759
 R760
 R761
 R762
 R763
 R764
 R765
 R766
 R767
 R768
 R769
 R770
 R771
 R772
 R773
 R774
 R775
 R776
 R777
 R778
 R779
 R780
 R781
 R782
 R783
 R784
 R785
 R786
 R787
 R788
 R789
 R790
 R791
 R792
 R793
 R794
 R795
 R796
 R797
 R798
 R799
 R800
 R801
 R802
 R803
 R804
 R805
 R806
 R807
 R808
 R809
 R810
 R811
 R812
 R813
 R814
 R815
 R816
 R817
 R818
 R819
 R820
 R821
 R822
 R823
 R824
 R825
 R826
 R827
 R828
 R829
 R830
 R831
 R832
 R833
 R834
 R835
 R836
 R837
 R838
 R839
 R840
 R841
 R842
 R843
 R844
 R845
 R846
 R847
 R848
 R849
 R850
 R851
 R852
 R853
 R854
 R855
 R856
 R857
 R858
 R859
 R860
 R861
 R862
 R863
 R864
 R865
 R866
 R867
 R868
 R869
 R870
 R871
 R872
 R873
 R874
 R875
 R876
 R877
 R878
 R879
 R880
 R881
 R882
 R883
 R884
 R885
 R886
 R887
 R888
 R889
 R890
 R891
 R892
 R893
 R894
 R895
 R896
 R897
 R898
 R899
 R900
 R901
 R902
 R903
 R904
 R905
 R906
 R907
 R908
 R909
 R910
 R911
 R912
 R913
 R914
 R915
 R916
 R917
 R918
 R919
 R920
 R921
 R922
 R923
 R924
 R925
 R926
 R927
 R928
 R929
 R930
 R931
 R932
 R933
 R934
 R935
 R936
 R937
 R938
 R939
 R940
 R941
 R942
 R943
 R944
 R945
 R946
 R947
 R948
 R949
 R950
 R951
 R952
 R953
 R954
 R955
 R956
 R957
 R958
 R959
 R960
 R961
 R962
 R963
 R964
 R965
 R966
 R967
 R968
 R969
 R970
 R971
 R972
 R973
 R974
 R975
 R976
 R977
 R978
 R979
 R980
 R981
 R982
 R983
 R984
 R985
 R986
 R987
 R988
 R989
 R990
 R991
 R992
 R993
 R994
 R995
 R996
 R997
 R998
 R999
 R1000

This drawing is property of SDC
 Use or copy of this drawing without proper permission from the appropriate
 technical/document managing department is prohibited.

PCB LED POWER



TITLE					
SAMSUNG	Doc. CODE		Rev. No		SHEET NO /

1

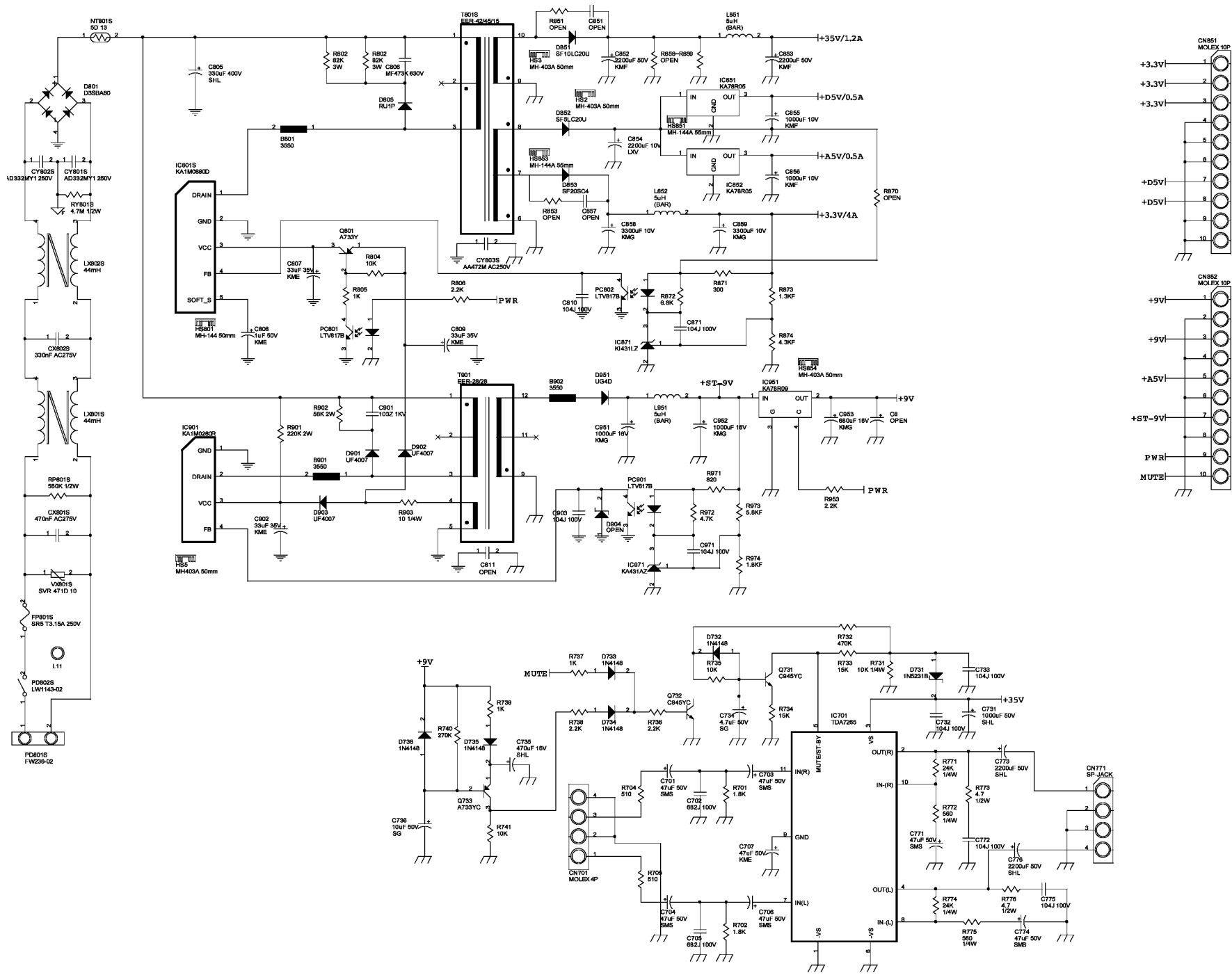
2

3

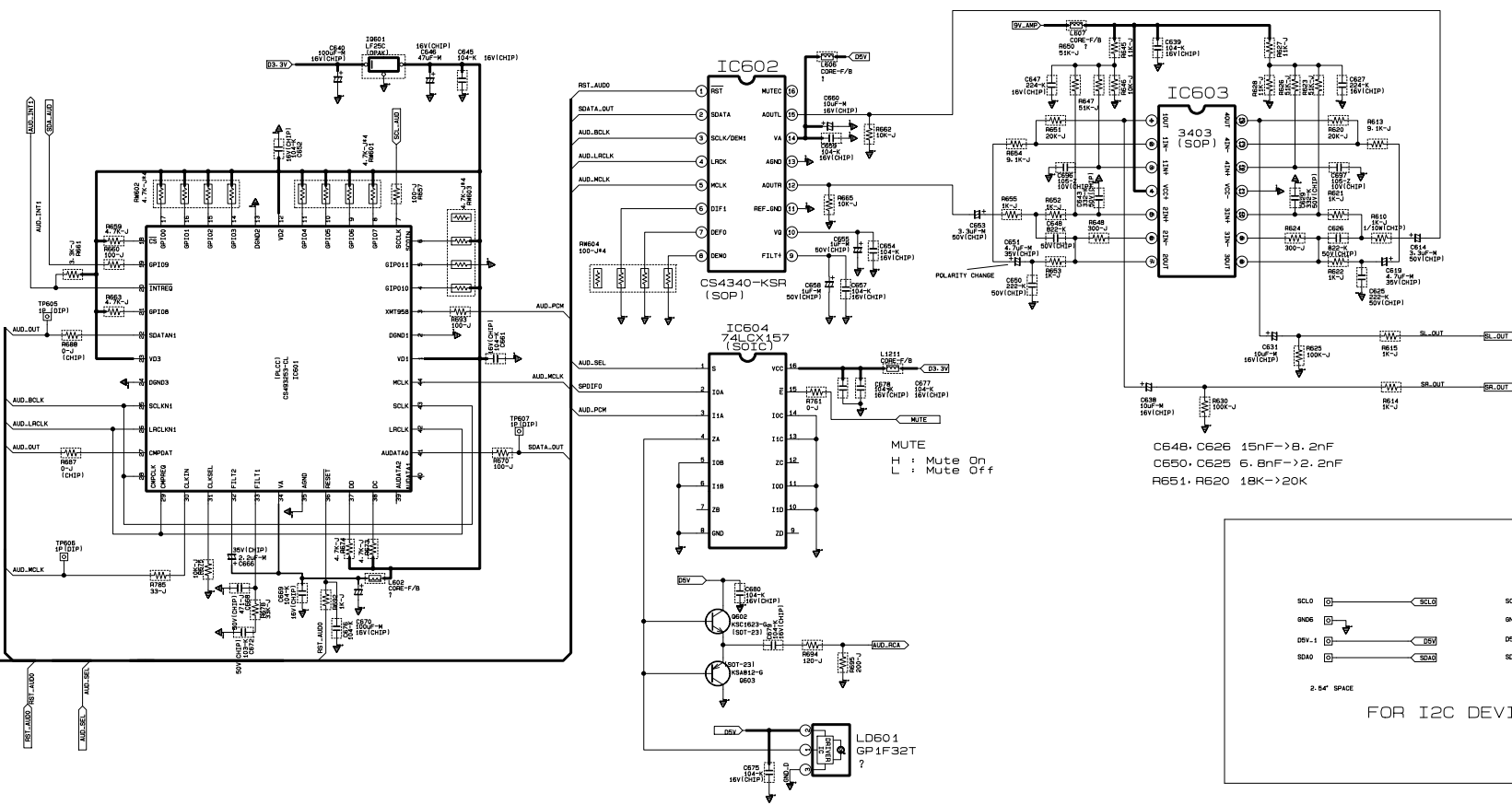
4

5

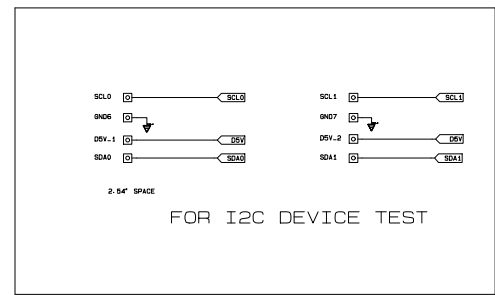
6



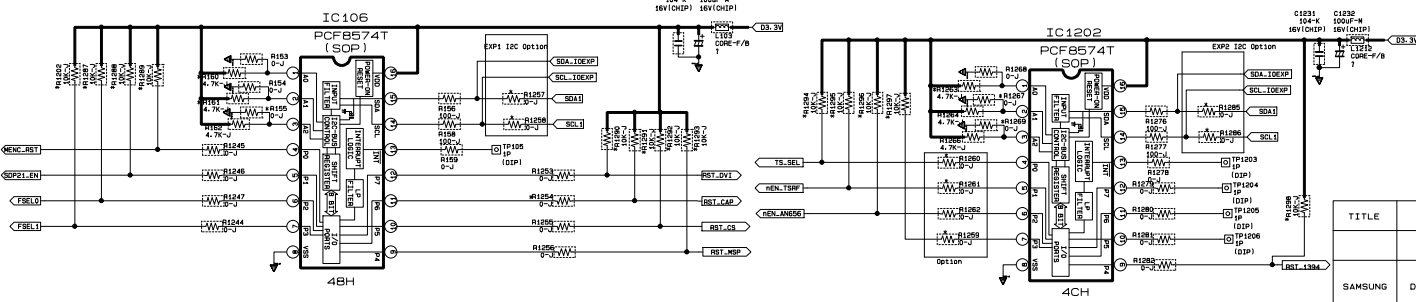
This drawing is property of SEC
Use or copy of this drawing without proper permission from the appropriate
technical-document managing department is prohibited.



C648, C626 15nF → 8.2nF
 C650, C625 6.8nF → 2.2nF
 R651, R620 18K → 20K



I/O Expander
 Addr : 0100 A2A1A0R/W



TITLE	SAMSUNG	Doc. CODE	Rev. No	SHEET NO /

This drawing is property of SEC
Use or copy of this drawing without proper permission from the appropriate
technical-document managing department is prohibited.

This drawing is property of SEC. Use or copy of this drawing without proper permission from the appropriate technical-document managing department is prohibited.

03.3V1
CORE-F/B

- 24 56 R192 1/10K(CHIP) LA24
- 83 84 n06
- 175 85 LD15
- 107 51 LD7
- 114 60 LD14
- 106 48 LD6
- 113 47 LD13
- 105 46 LD5
- 112 45 LD12
- 104 44 LD4
- 45 43 LD3
- 111 42 LD11
- 103 40 LD3
- 110 39 LD10
- 102 38 LD2
- 109 36 LD9
- 101 35 LD1
- 108 34 LD8
- 100 33 LD0
- 40 31 R122 1/10K(CHIP)
- 41 32 R121 1/10K(CHIP)
- 42 30 R120 1/10K(CHIP)
- 43 29 R119 1/10K(CHIP)

uration

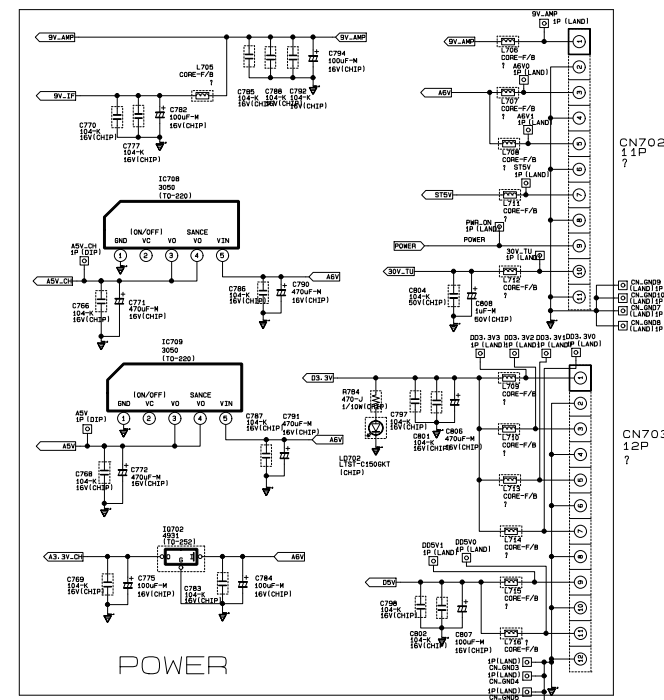
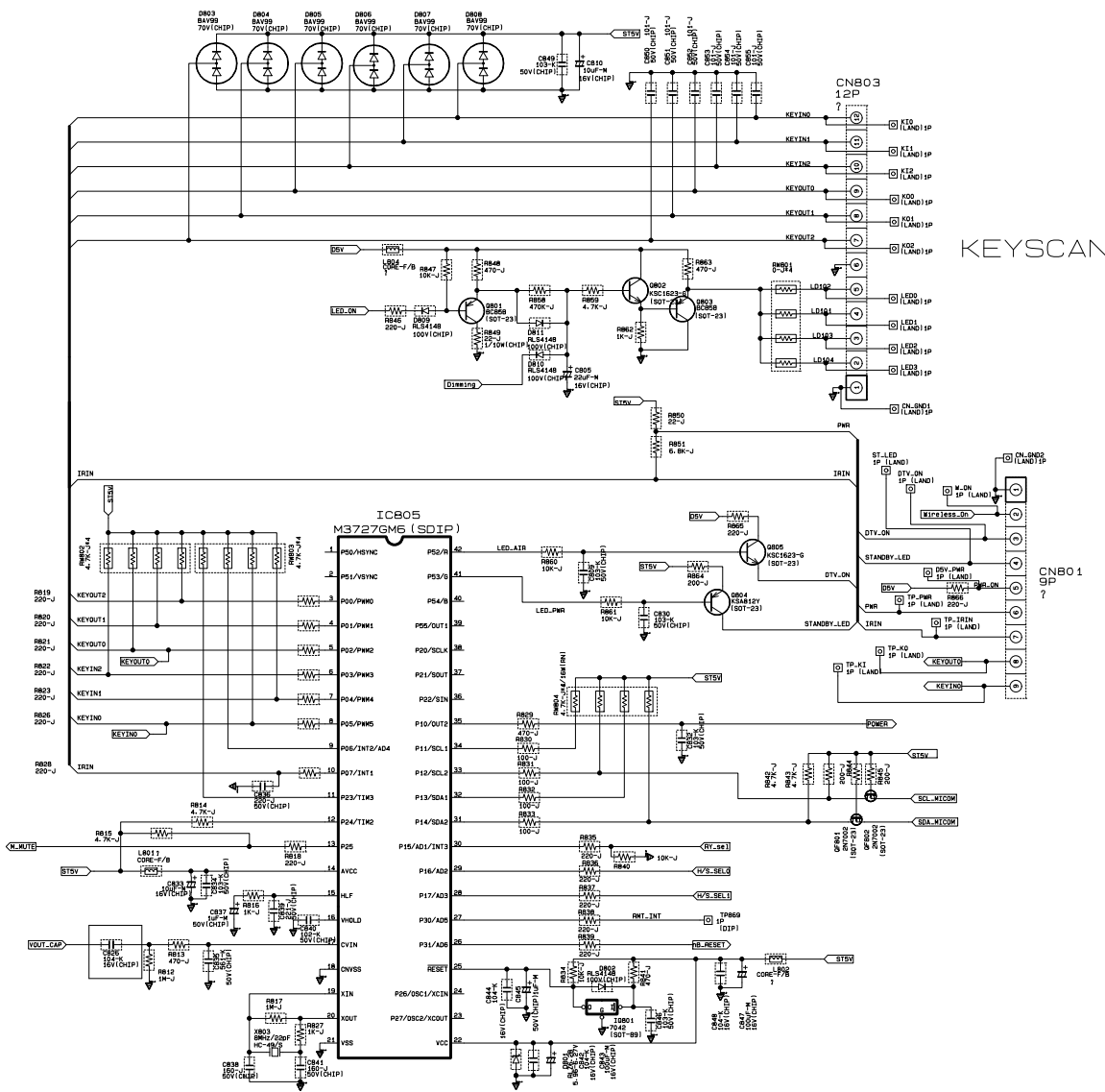
A24

NC

NC

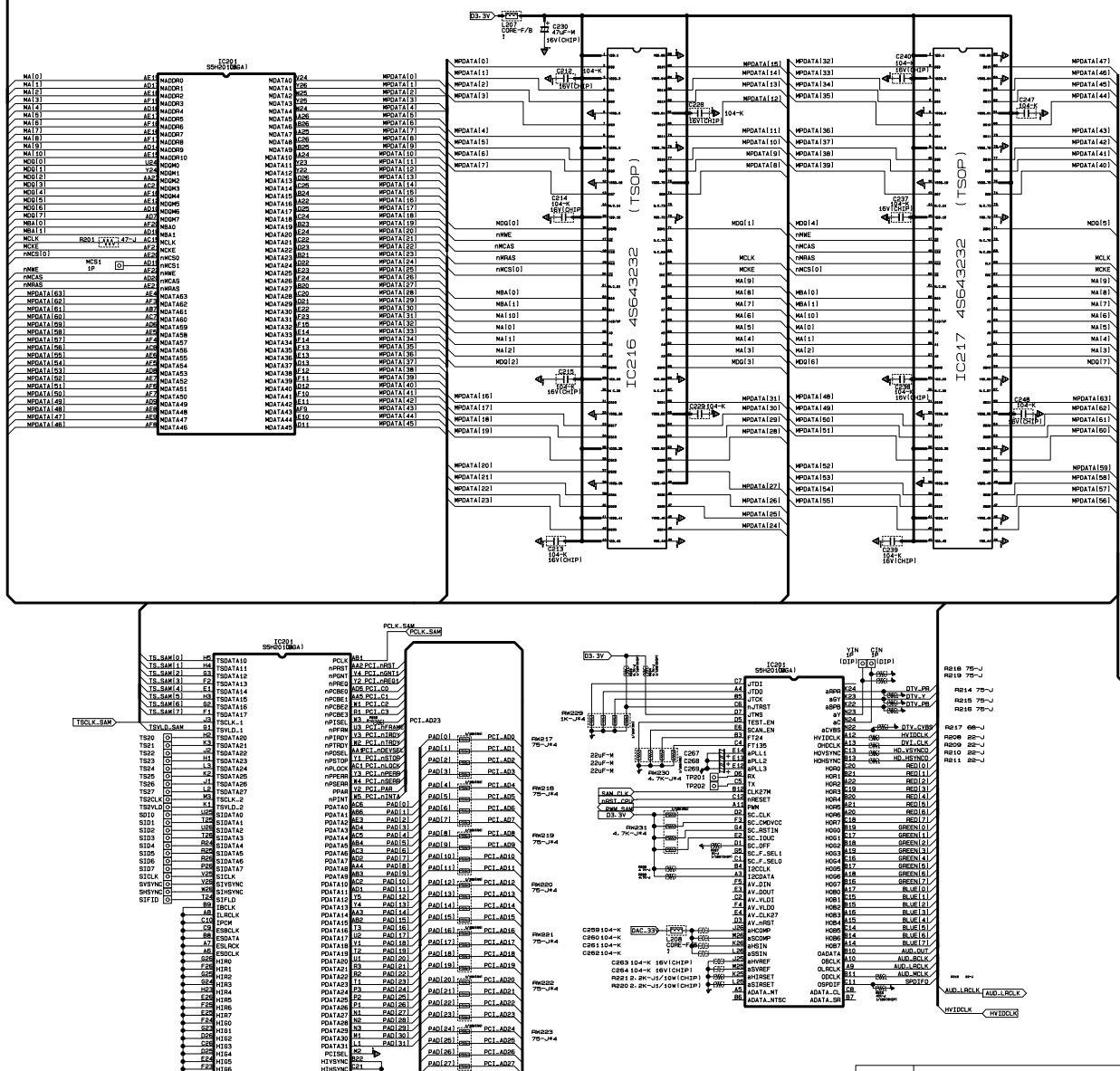
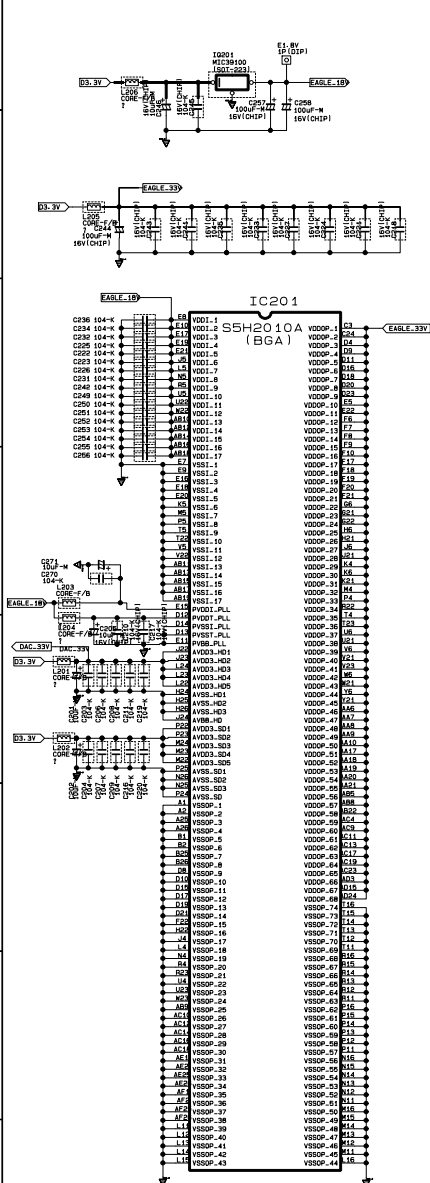
R122

This drawing is property of SEC. Use or copy of this drawing without proper permission from the appropriate technical-document managing department is prohibited.



TITLE			
SAMSUNG	Doc. CODE	Rev. No	SHEET NO /

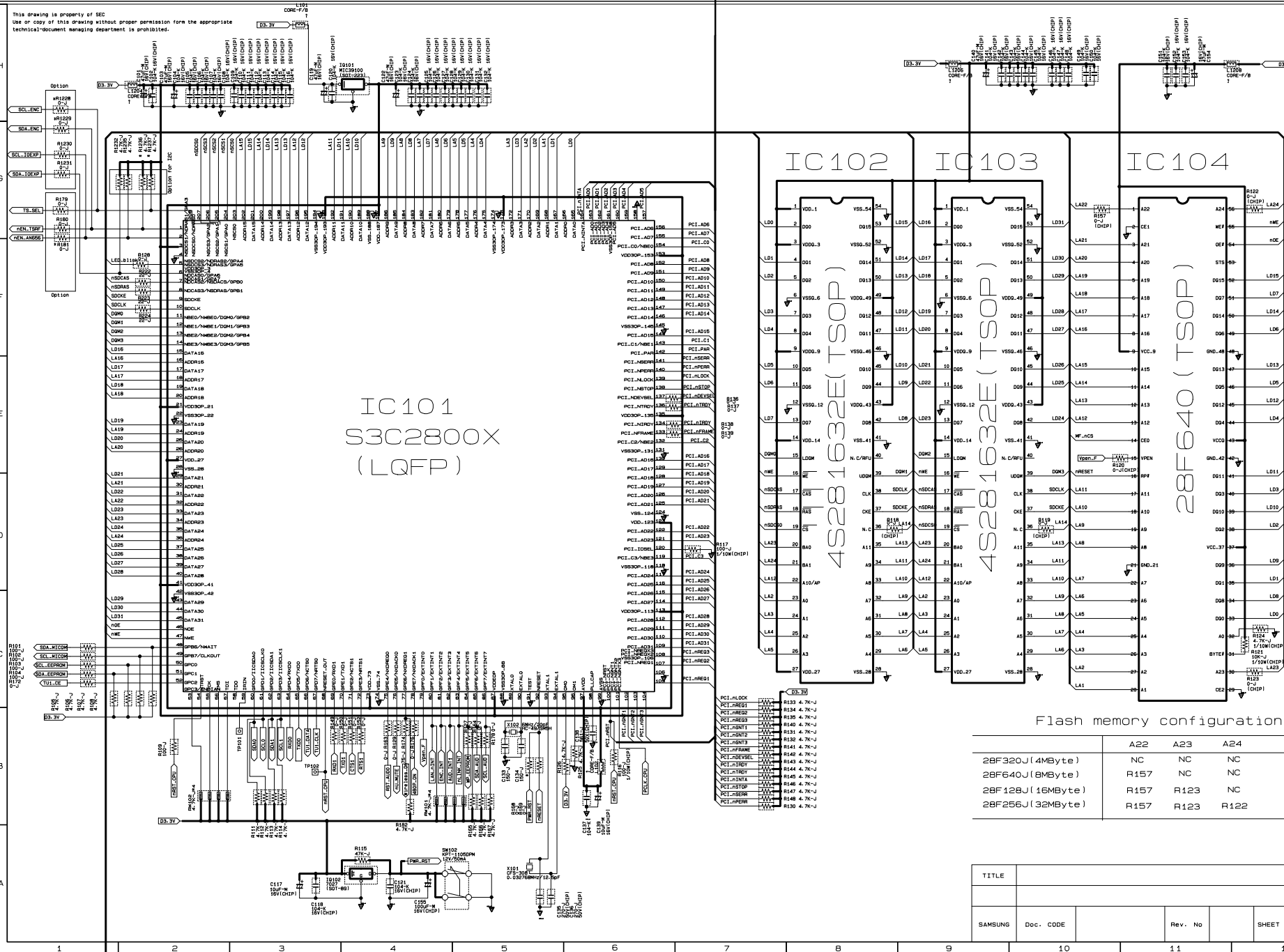
This drawing is property of SEC
 Use or copy of this drawing without proper permission from the appropriate
 technical-document managing department is prohibited.



TITLE			
SAMSUNG	Doc. CODE	Rev. No	SHEET NO /

This drawing is property of SEC
 Use or copy of this drawing without proper permission from the appropriate
 technical-document managing department is prohibited.

This drawing is property of SEC
Use or copy of this drawing without proper permission from the appropriate
technical-document managing department is prohibited.



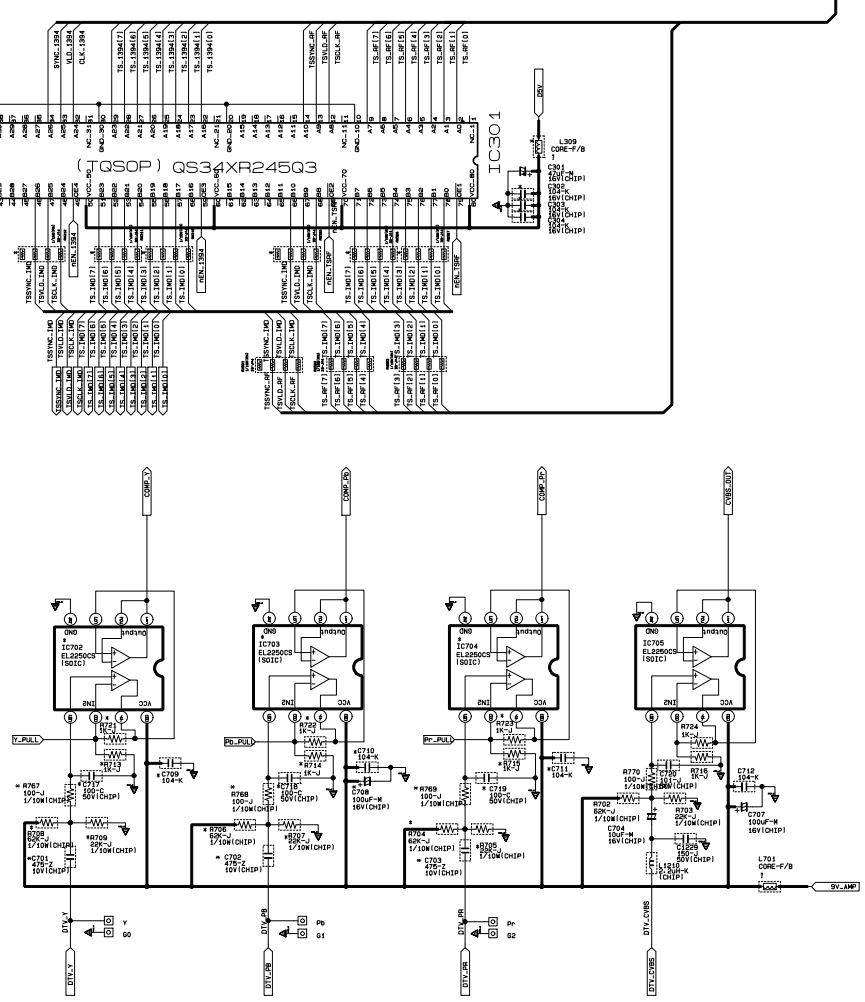
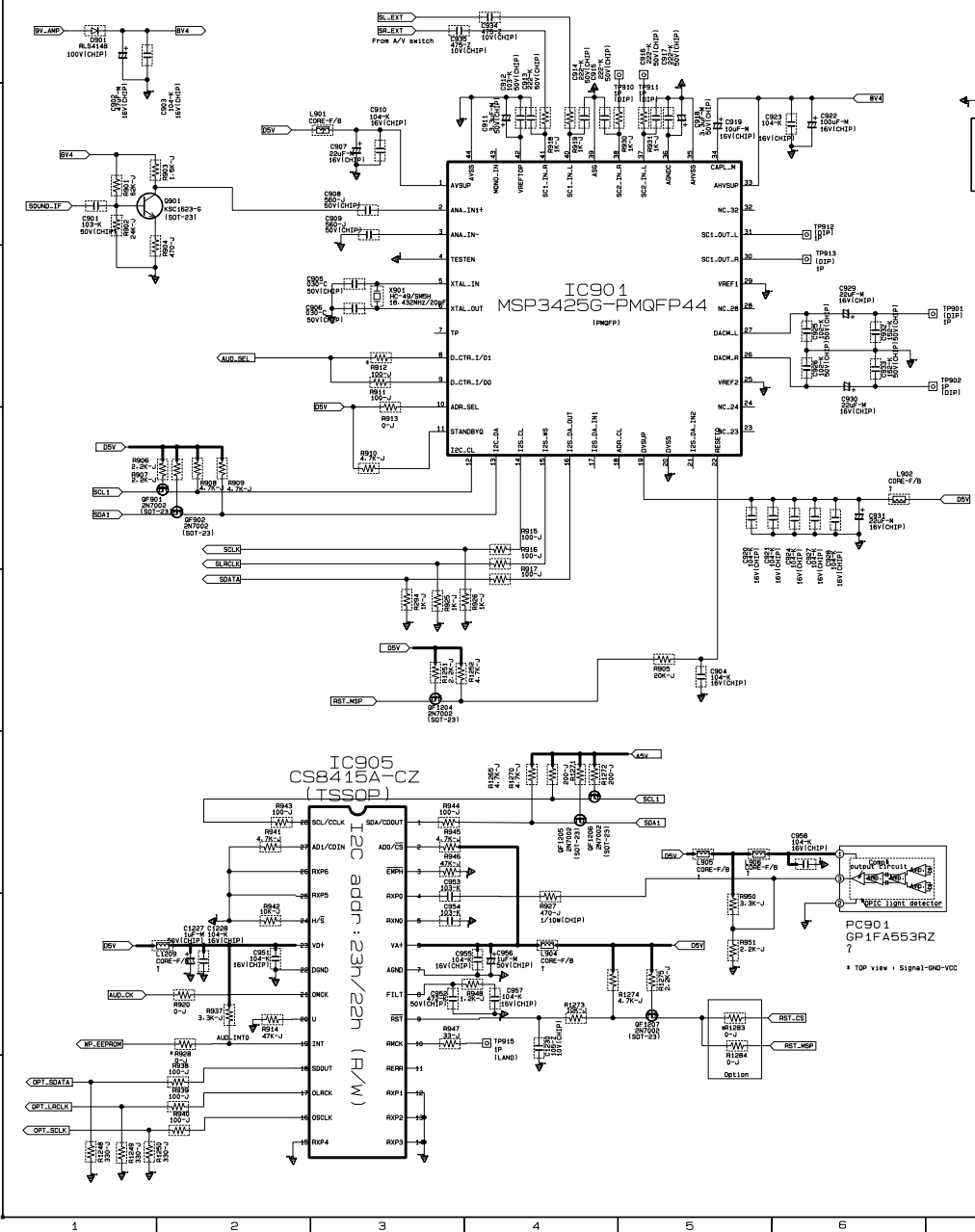
Flash memory configuration

	A22	A23	A24
28F320J (4MByte)	NC	NC	NC
28F640J (8MByte)	R157	NC	NC
28F128J (16MByte)	R157	R123	NC
28F256J (32MByte)	R157	R123	R122

TITLE	SAMSUNG	Doc. CODE	Rev. No	SHEET NO
				12

This drawing is property of SEC
Use or copy of this drawing without proper permission from the appropriate
technical-document managing department is prohibited.

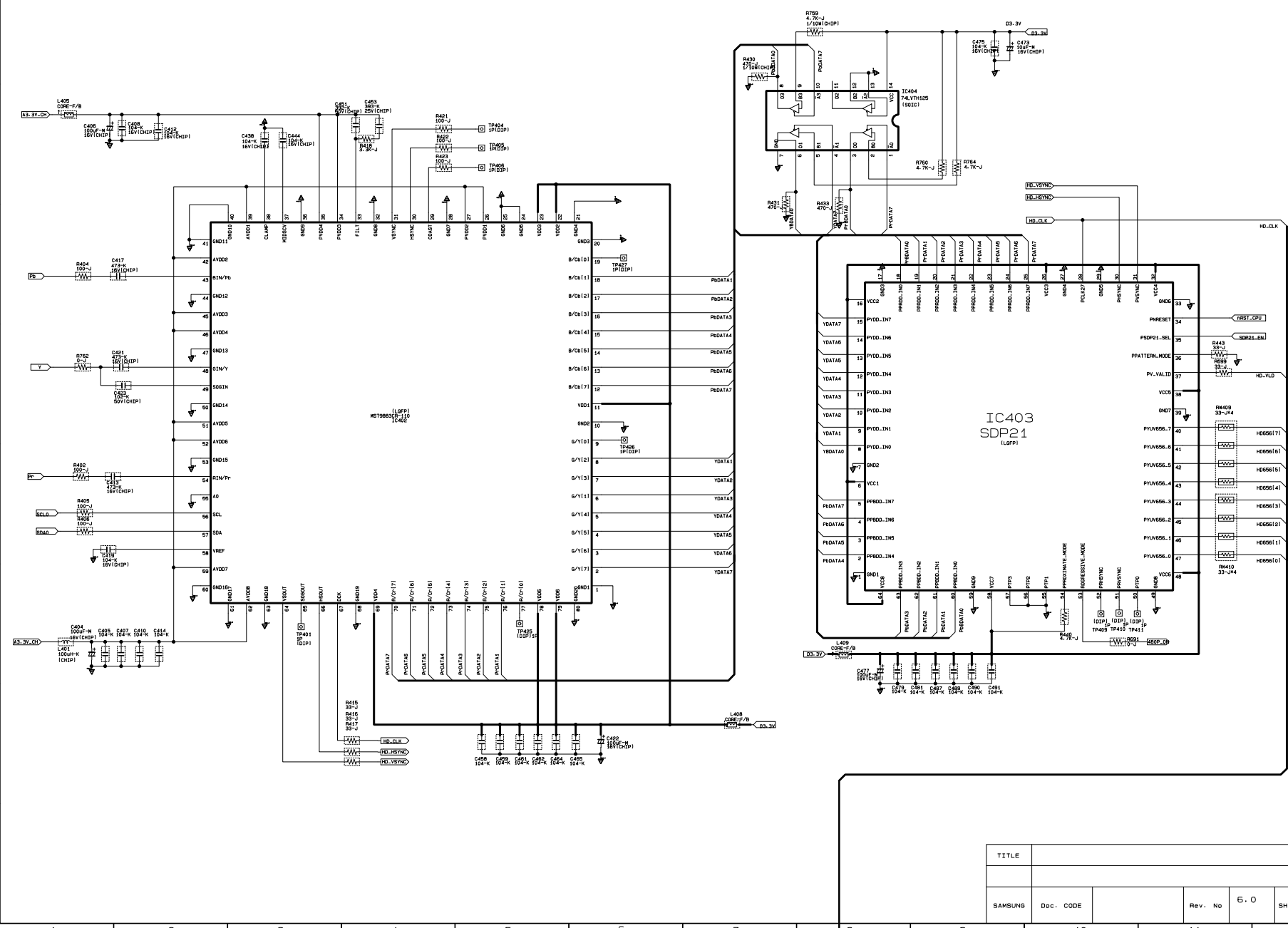
This drawing is property of SEC
 Use on copy of this drawing without proper permission from the appropriate
 technical/document managing department is prohibited.



TITLE				
SAMSUNG	Doc. CODE	Rev. No	SHEET NO	/

This is a
 Use of C
 service

This drawing is property of SEC
 Use or copy of this drawing without proper permission from the appropriate
 technical-document managing department is prohibited.



TITLE	
SAMSUNG	Doc. CODE
Rev. No	6.0
SHEET NO	1/4

This drawing is property of SEC
 Use or copy of this drawing without proper permission from the appropriate
 technical-document managing department is prohibited.

This drawing is property of SEC
 Use or copy of this drawing without proper permission from the appropriate
 technical-document managing department is prohibited.

This drawing is property of SEC
 Use or copy of this drawing without proper permission from the appropriate
 technical-document managing department is prohibited.

This drawing is property of SEC
 Use or copy of this drawing without proper permission from the appropriate
 technical-document managing department is prohibited.

OFF



SL_OUT
 SB_OUT

COMP_V

COMP_PB

COMP_PA

SHEET NO /

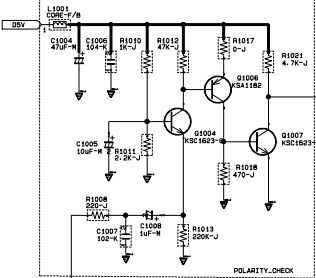
12

12

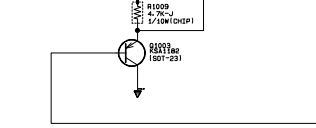
12

12

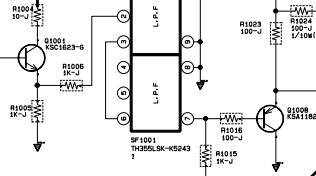
COMPOSITE_SYNC_SEPARATION



POLARITY_CHECK



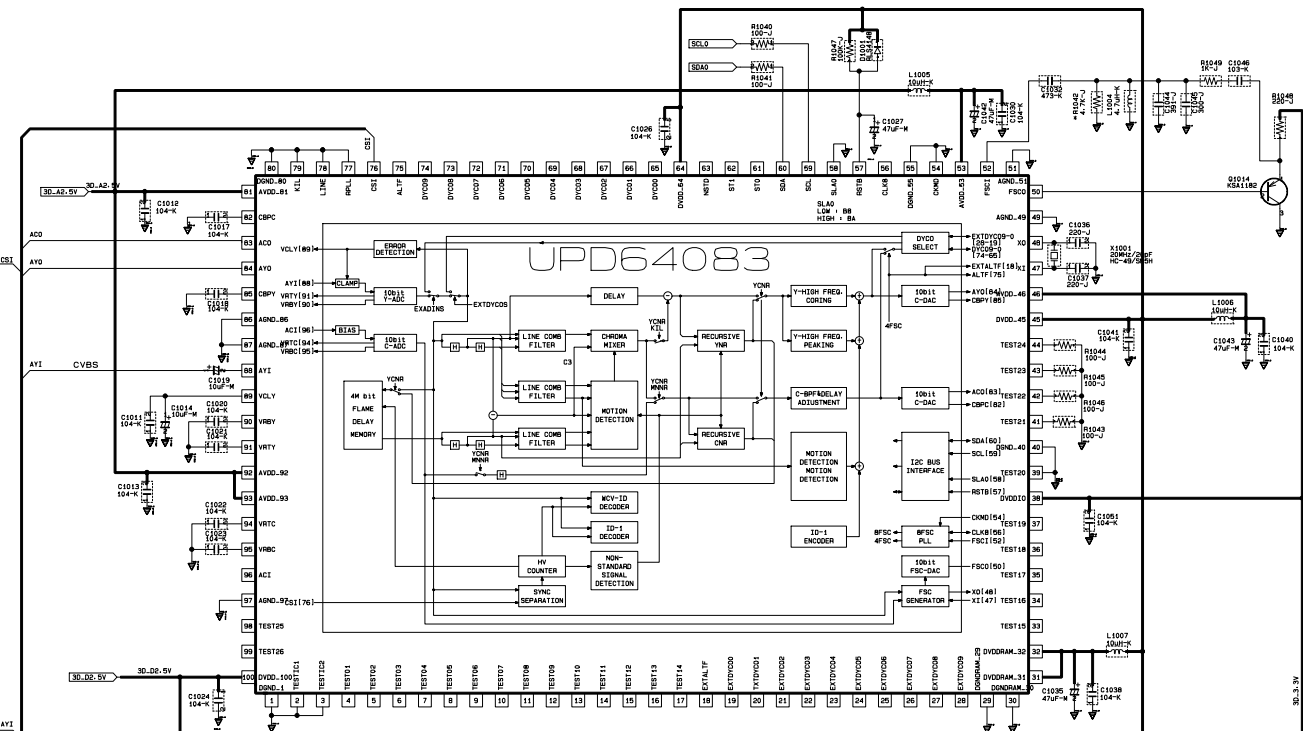
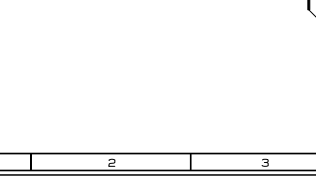
TH95L5K-K5243



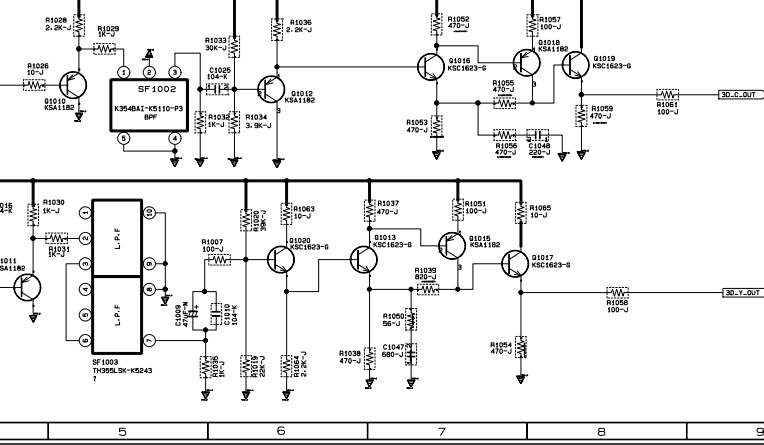
TH95L5K-K5243



TH95L5K-K5243



IC1001
 UPD64083GF
 12189

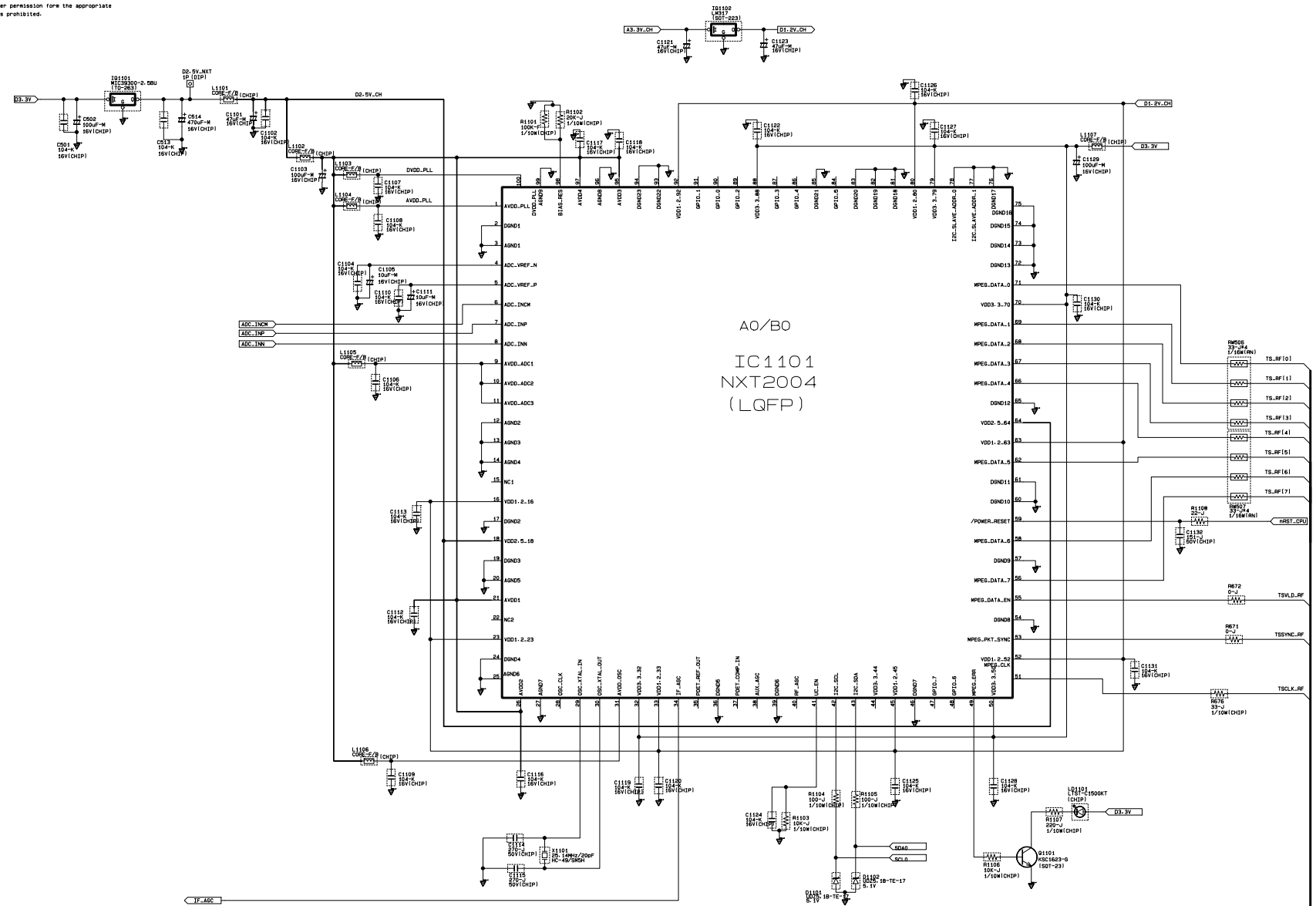


TITLE				
SAMSUNG	Doc. CODE	Rev. No	SHEET NO	/

This drawing is property of SEC
 Use or copy of this drawing without proper permission from the appropriate
 technical-document managing department is prohibited.

This drawing is property of SEC
 Use or copy of this drawing without proper permission from the appropriate
 technical-document managing department is prohibited.

This drawing is property of SEC
 Use or copy of this drawing without proper permission from the appropriate
 technical-document managing department is prohibited.

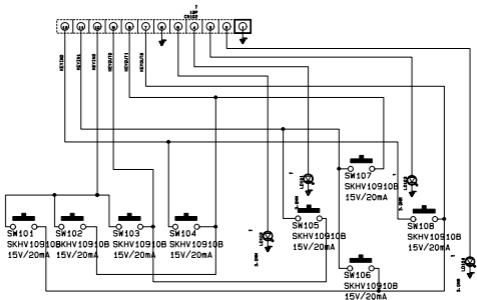


A0/B0
 IC1101
 NXT2004
 (LQFP)

TITLE	
SAMSUNG Doc. CODE	Rev. No SHEET NO /

This drawing is property of SEC
 Use or copy of this drawing without proper permission from the appropriate
 technical-document managing department is prohibited.

This drawing is property of SEC
 Use or copy of this drawing without proper permission from the appropriate
 technical-document managing department is prohibited.



TV/ VIDEO INFO MENU ENTER

TITLE					
SAMSUNG	Doc. CODE		Rev. No	SHEET NO	/