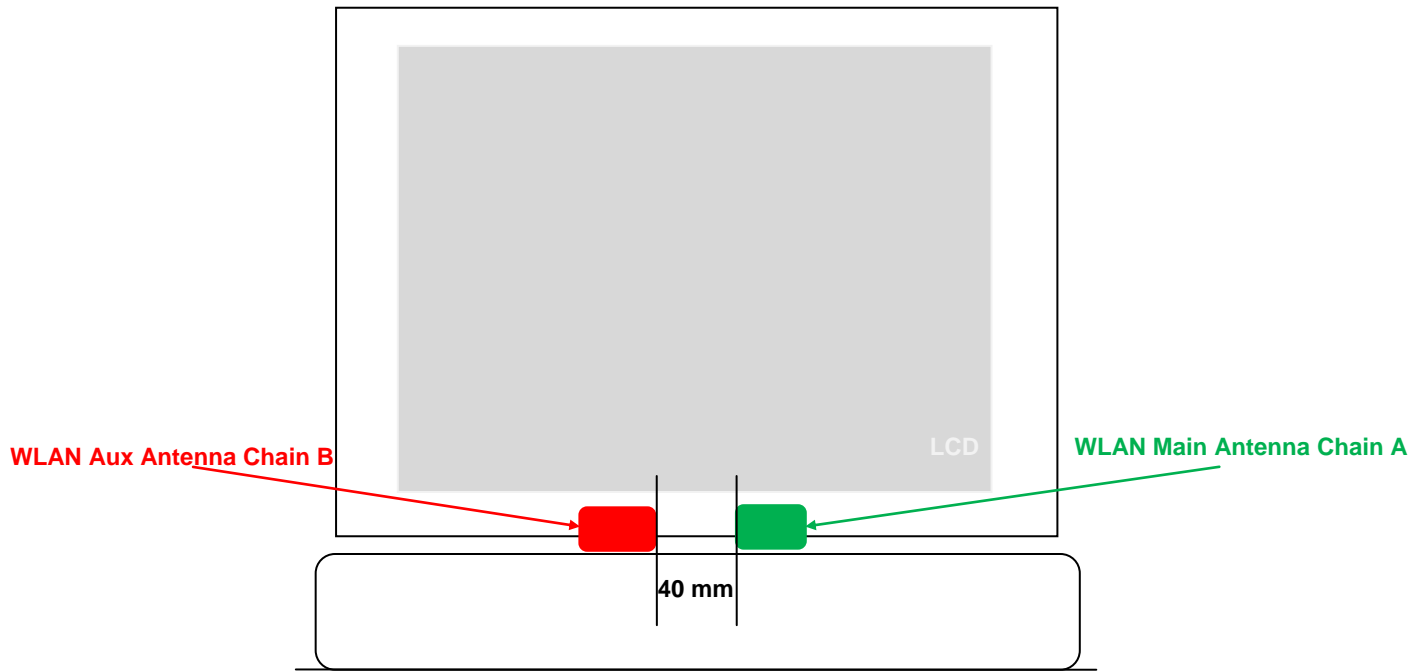


16. Host Device Photo

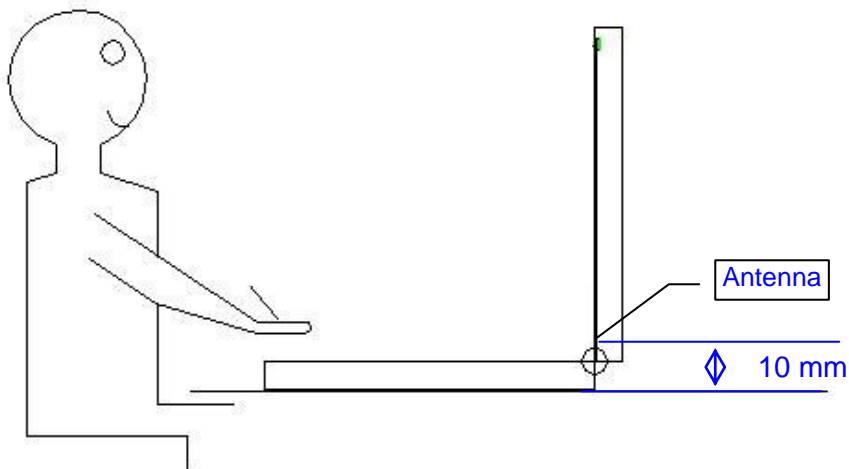
Lap-held view



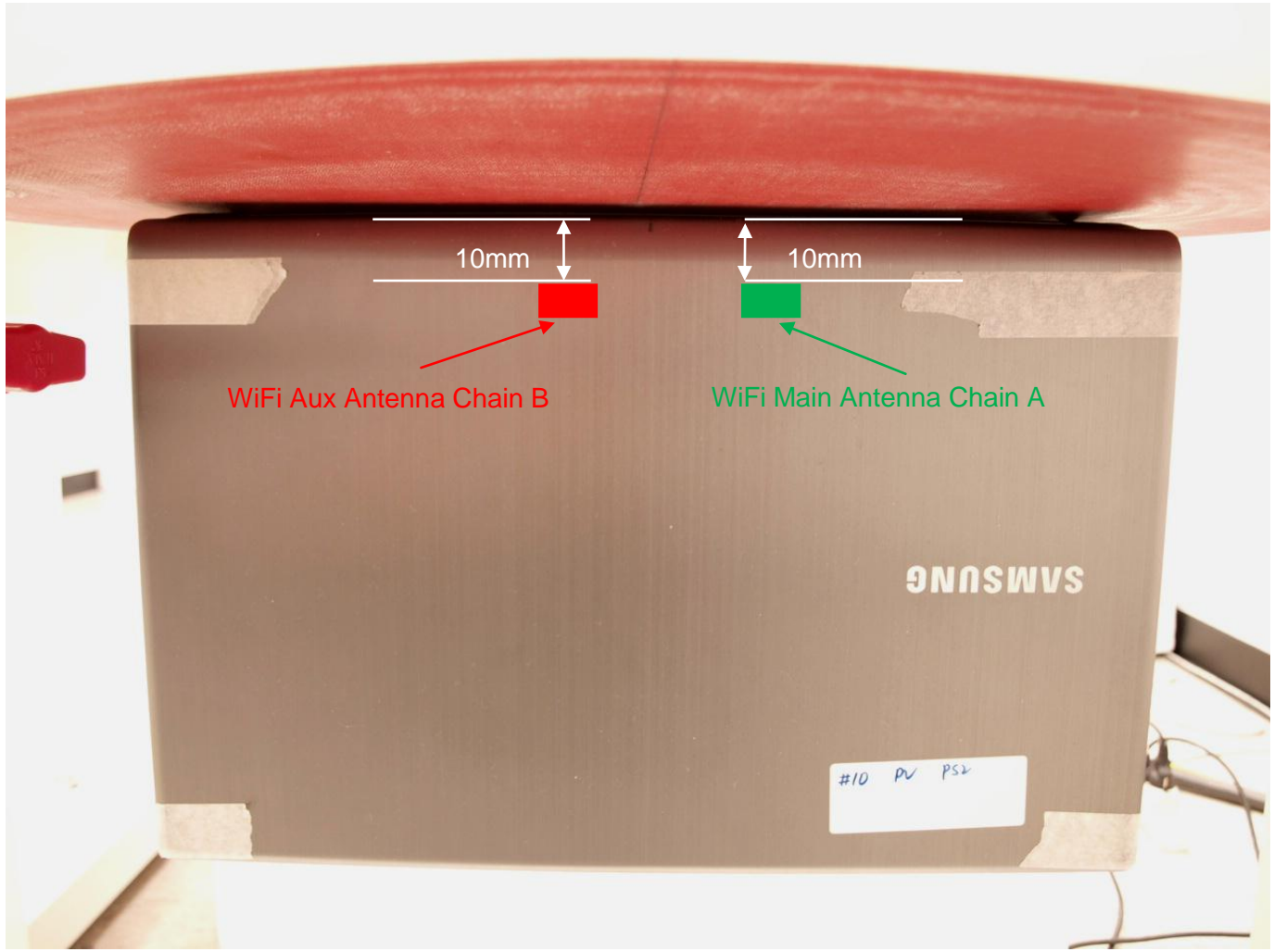
17. Antenna Locations & Separation Distances



Lap-held configuration
(Separation distance between antenna and user)



18. Setup Photos



END OF REPORT