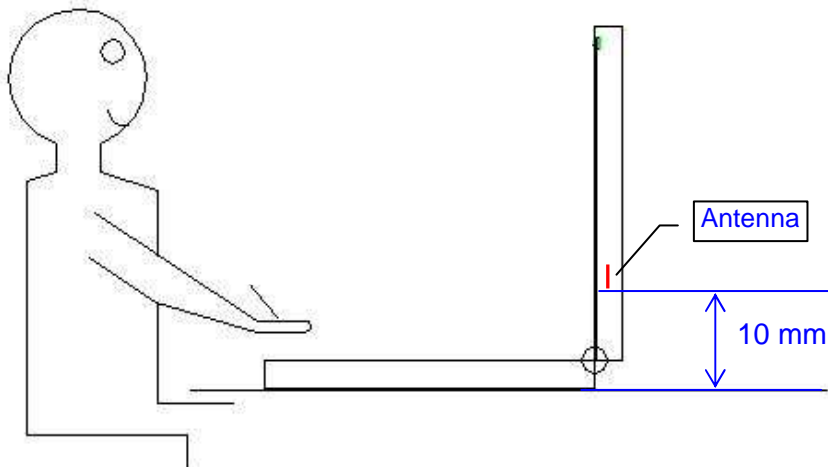


## 15. ANTENNA LOCATIONS AND SEPARATION DISTANCES

### ANTENNA-TO-USERS AND NEARBY PERSONS

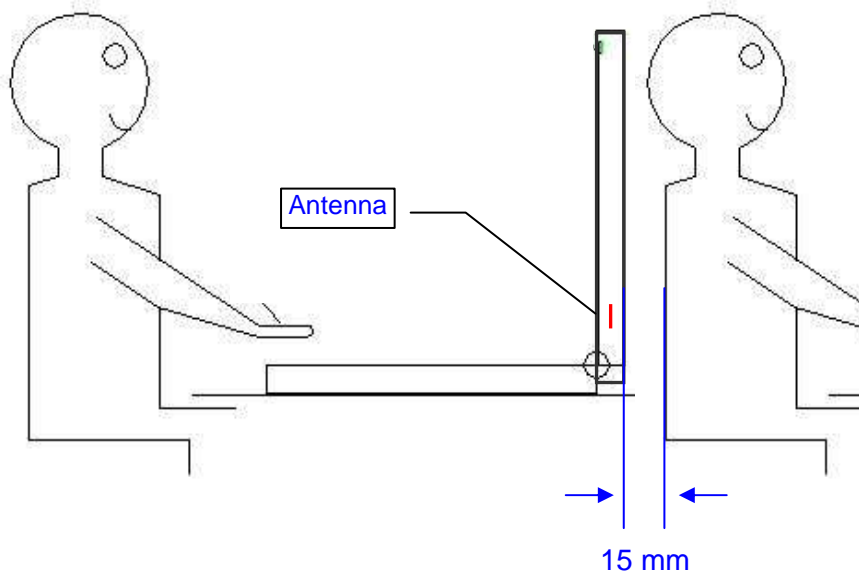
#### Lap-held

(Separation distance between antenna and user)



#### Bystanders

(Separation distance between antenna and nearby person)



### 16. TEST SETUP PHOTOS

Lap-held w/ 0.0 mm from the bottom of the laptop base-to-phantom



Bystanders w/ 15 mm from back of the screen-to-phantom



## 17. HOST DEVICE PHOTO



**END OF REPORT**