

V

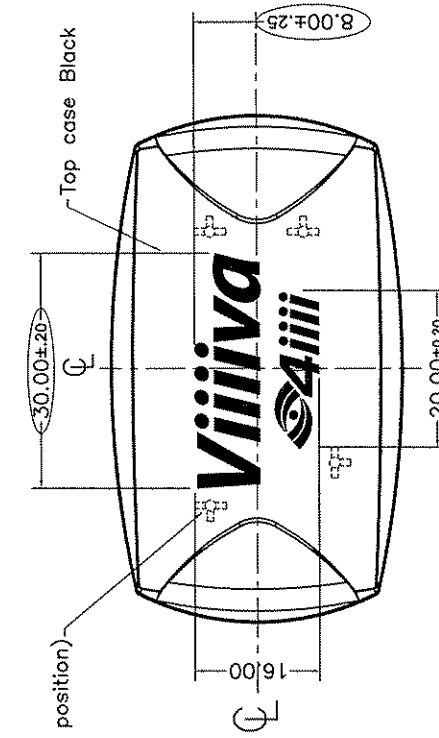
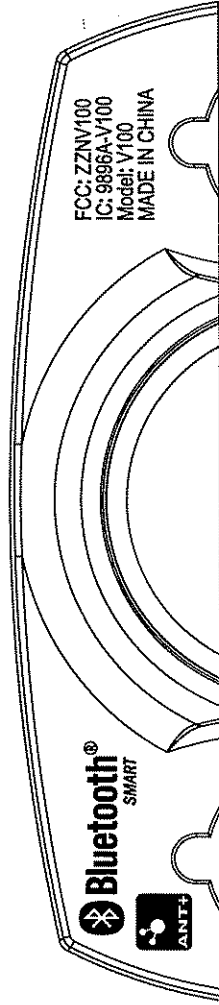
iiii

4iiii

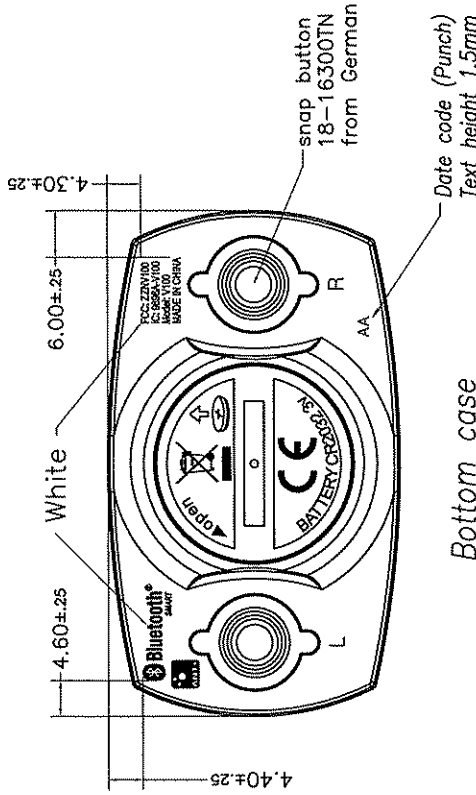
White

Red 485C
with white background

Scale 2:1



Top case
P/N:A0-4210B31



Bottom case
P/N:A1-4220D124

測試規範

絲印黏附力測試: 用3M透明膠紙(#600) 壓貼在表面拉3次。
 抗腐測試(SUS304L): 浸24小時5%鹽水後 不可出現腐蝕現象。
 成品防水測試: 用1Bar內壓浸水看汽泡

All must be check for above

ALL DIMENSIONS IN MM

DAYTON INDUSTRIAL CO. LTD.
 KENDY ENTERPRISE LTD.

TITLE:	HR TX Cosmetic	MODEL NAME:	Bluetooth HR TX A2B Pod	LINEAR ±	0.10
PART NO:	B4-4210B02II	MODEL NO:	II21301	ANGULAR ±	0.50
MAT'L:	ABS	SCALE:	1:1	UNSPECIFIED TOLERANCE	
FINISH:	FIND EDM	DOC CONTROL NO:	004-8794	VERSION NO:	1.0
REV.	REVISIONS	QTY:	1	DATE:	3/2/2013
				SHEET	1 OF 1
				APPD	

REV.

REVISIONS

DATE

B

C

D

E