

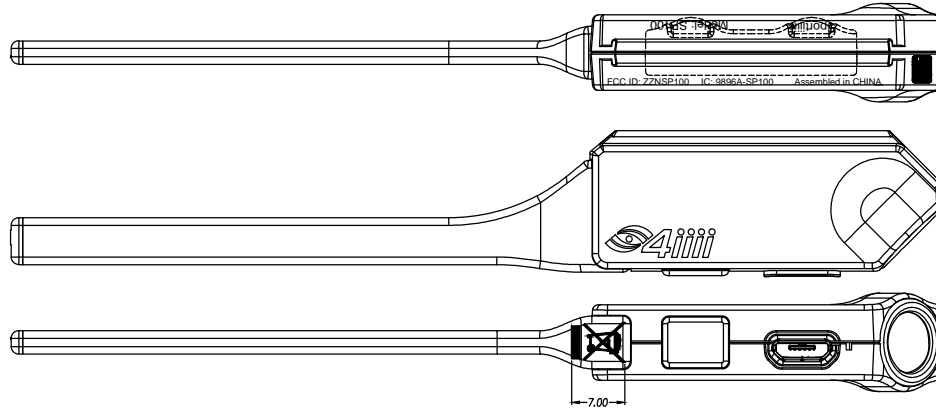
A

B

C

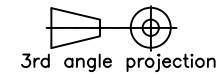
D

E



ALL DIMENSIONS IN MM

DAYTON INDUSTRIAL CO. LTD.
KENDY ENTERPRISE LTD.



LINEAR ± 0.1
 ANGULAR $\pm 1^\circ$
 UNSPECIFIED TOLERANCE

TITLE: cosmetic		MODEL NAME: SPORTiiii Rev3		VERSION NO: 1.1	
PART NO:		MODEL NO: I150900		DATE: 26/Oct/2011	
MAT'L:		SCALE: 1:1		DOC CONTROL NO:	
FINISH: EDM		QTY: 1		SHEET: 1/1	
REV.	REVISIONS	DATE	DWN	CHKD	APPD

A

B

C

D

E