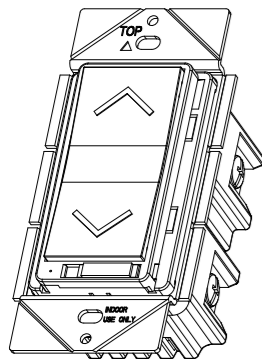


INSTALLATION INSTRUCTIONS

WF500D Wireless Home Automation WIFI Control Device Dimmer Switch



◆ SPECIFICATIONS

Voltage.....	120VAC, 60Hz
Incandescent.....	600W
CFL/LED/Electronic self-ballasted.....	2A (150W)
Operating Temperature.....	32°F~104°F(0°C~40°C)
Wire Strip Length.....	16mm(5/8 in.)
Supply Connection.....	14 AWG wires
Screw Torque.....	.20 lbf-in
Protocol.....	IEEE 802.11b/g/n
Wireless Type.....	2.4GHz

◆ FEATURES

- Perfect Replacement for regular wall ON/OFF & Dim switch, 120VAC
- Manual and Remote ON/OFF& Dim control of any permanently installed incandescent, dimmable LED and CFL lamp fixture
- Preset light level option allows the dimmer will turn on to the light level that it was adjusted to the previous time when the light was on
- Air-Gap Switch feature meets UL requirement and disconnect power from load locally.

◆ DESCRIPTION

The WF500D Dimmer Switch is a perfect wireless manual and remote on/off/ dim bright control replacement of regular on/off and dimmer switch, controlling incandescent, dimmable LED and CFL. Sliding Air-Gap switch to a totally disconnect power while replacing light bulbs and preventing from leakage current from the fixture(s). The LED dimming performance may vary based upon dimmer type, model, manufacturer, circuit wiring and circuit loading. No specific recommendation on product selection and there are no warranties of performance or compatibility implied.

WARNINGS AND CAUTIONS

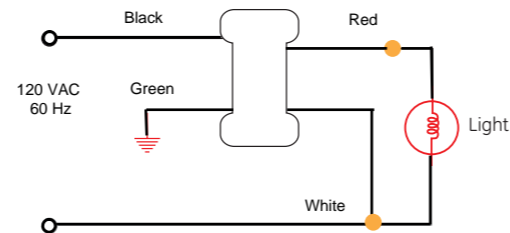
Be sure to read the instruction carefully before installation, and the manufacturer will not be responsible for any product damage that does not follow the instruction

1. Wet hands are strictly prohibited.
2. Must work strictly according to the rated load.
3. Do not continue to work after self-disassembly of any nature and damage of external forces.

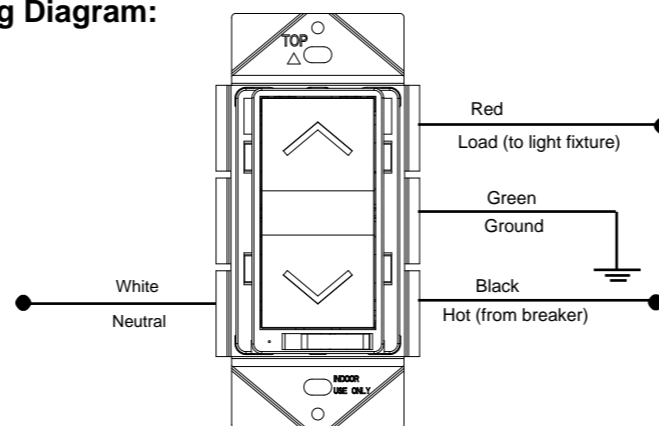
◆ INSTALLATION

This WF500D dimmer switch may be used in new installations or replace an existing wall switch.

Typical Dimmer Wiring Schematic:



Wiring Diagram:



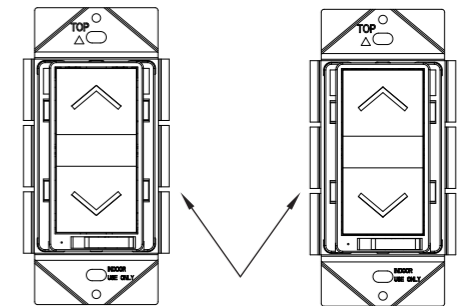
1. WARNING : To avoid fire, shock, or death. High Voltage - Turn off power at circuit breaker or fuse and test that power is off before wiring.
2. CAUTION : To Reduce The Risk of Overheating and Possible Damage to Other Equipment, Do Not Install to Control a Receptacle, a Motor-Operated Appliance or a Fluorescent Lighting Fixture or a Transformer Supplied Appliance.
3. Remove wall plate and existing switch mounting screws.
4. Carefully remove the existing switch from the switch box.
5. Disconnect the wiring from the existing switch.
6. Connect the dimmer switch as shown in the wiring diagram: Black lead to hot wire, white lead to neutral wire, red lead to load wire, green lead to ground wire.
7. Check connections to be sure they are tight and no bare conductors are exposed.
8. Insert the WF500D dimmer switch into the standard outlet box carefully.
9. Make sure the WF500D dimmer switch to the box using the supplied screws.
10. Attach the wall plate.
11. Restore power at the circuit breaker and test the system.

Air Gap Switch

During normal operation, there is a small amount of power passing through the switch to the load even when the dimmer switch is turned off. The WF500D has an air gap switch on the lower right side to completely disconnect power to the load. Slide the air gap switch to left to disconnect the power while replacing light bulbs and slide it to right for normal operation. The air gap switch must be all the way in for the dimmer to function and control the lighting.

◆ MULTIGANG INSTALLATION

When installing more than one control in the same wall box, it may be necessary to remove the side tabs before installing (see below). Using pliers, bend each tab back and forth until they break off. Repeat for each tab to be removed. Removal of tabs WILL REDUCE MAXIMUM LOAD CAPACITY.



Tabs Removed for Multigang installation

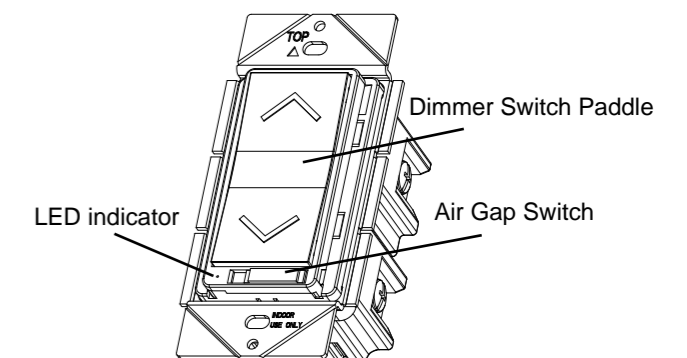
LED/CFL Derating Chart			
Load Capacity when Tabs are removed from:			
Dimmable LED/CFL	0 Sides	1 Side	2 Sides
		150W	150W

When using the Dimmer to control LED/CFL lights in conjunction with another Dimmer to control Incandescent /Halogen lights follow this Derating Chart for Maximum Capacity on EACH device.

If the combined Wattage of ALL LED/CFL bulbs on 1 dimmer is:	Then the Maximum COMBINED Wattaged for the Incandescent/Halogen bulbs on EACH attached dimmer:		
	If NO Tabs are removed then Max Wattage is:	If 1 side of Tabs are removed then Max Wattage is:	If 2 sides of Tabs are removed then Max Wattage is:
0W	600W	500W	400W
1-25W	500W	400W	300W
26-50W	400W	300W	200W
51-75W	300W	200W	100W
76-100W	200W	100W	50W
101-125W	100W	50W	0W
126-150W	0W	0W	0W

If you are using ONLY LED/CFL bulbs on ALL Dimmers, DO NOT USE this Derating Chart. Follow the LED/ CFL Derating Chart.

◆ OPERATIONS



INSTALLATION INSTRUCTIONS

Manual Control

The WF500D dimmer switch allows the user to:

Turn ON/OFF and control the brightness level of the connected lighting.

1. To turn the connected lighting ON: Tap the top of the dimmer switch paddle. The LED indicator will be turned on in blue.
2. To turn the connected lighting OFF: Tap the bottom of the dimmer switch paddle again. The LED indicator will be turned off.
3. To brighten the connected lighting: Press and hold the top of the dimmer switch paddle, release when desired level is achieved.
4. To dim the connected lighting: Press and hold the bottom of the dimmer switch paddle, release when desired level is achieved.

Please note: pressing and holding the dimmer switch paddle until the light intensity is at the minimum setting does not turn the power OFF, you must still tap (short press) the bottom of the dimmer switch paddle to turn the power OFF.

Tuya Smart App Control

1. Download Tuya Smart app from the App Store or Google Play.

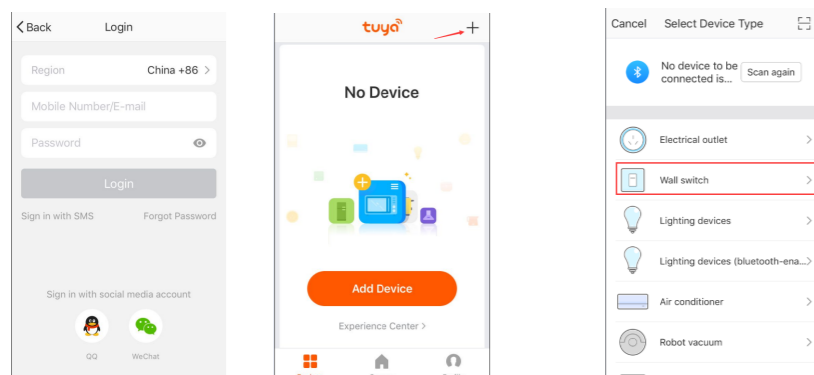


2. Connect mobile device to your 2.4GHz WIFI network. Please note this Smart Dimmer Switch can only be connected to 2.4GHz network.

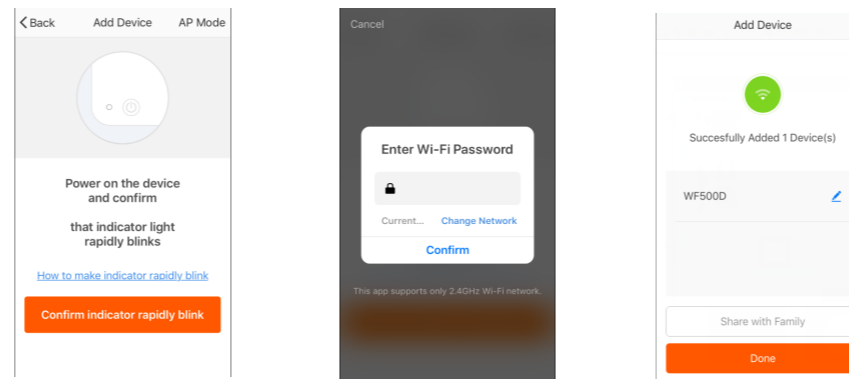


3. Launch Tuya and follow the in-app instructions to connect the Smart Dimmer Switch to your network.

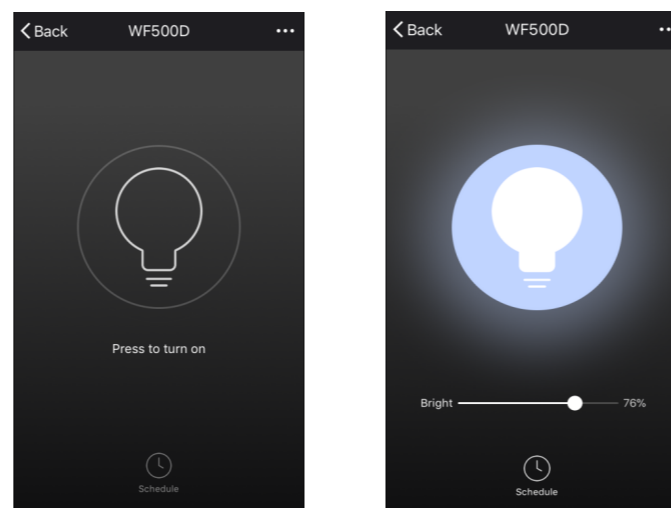
- a. Login the Tuya
- b. Click the button "+"
- c. Select the "Wall switch"



- d. Click the bottom button
- e. Enter your Wifi password
- f. Finished

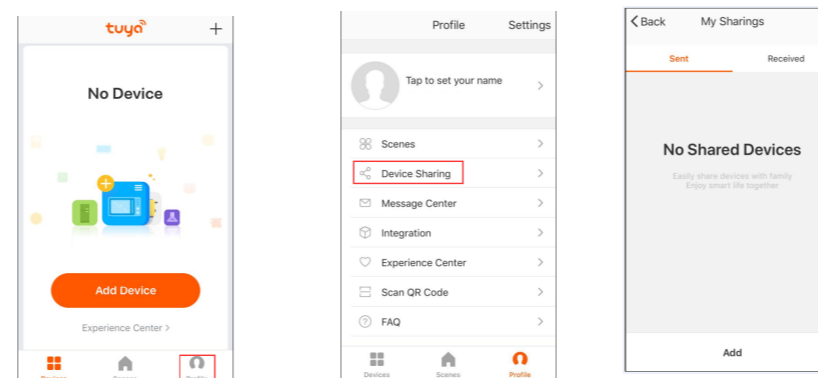


4. When the device is added successfully, this WIFI Dimmer can be turned ON/OFF and dimmed.

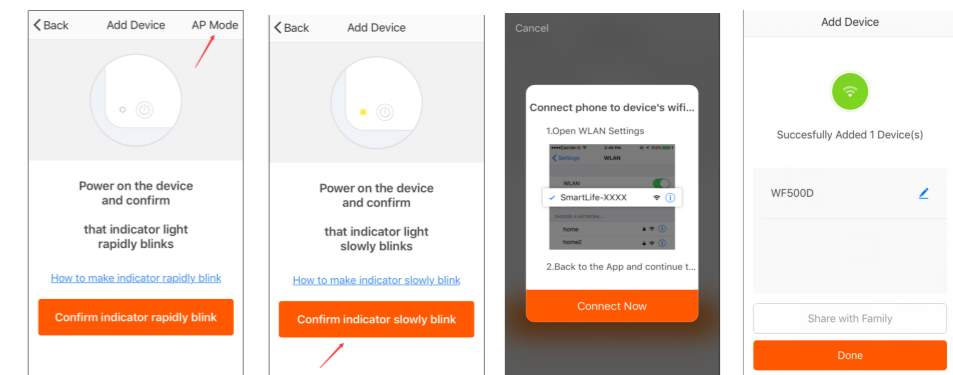


Please Note:

1. During the process of adding device, you must select the correct name of WIFI router and fill in the correct WIFI password, otherwise the device will not be able to add successfully.
2. Now, this WIFI Dimmer is paired with one phone device. If you want to control the WIFI Dimmer by different phones, click the "profile" then chose the " Device Sharing".



3. When the device fail to add in the App, please try to enter the AP mode. Before enter the AP mode please press the top or bottom button 5 times continuously, then press and hold at the sixth for 5 seconds then release, the LED indicator in green and slowly blinks.



Restoring Factory Defaults

When power on the device and confirm that indicator light if rapidly blinks, if not please press the top or bottom button 5 times continuously, then press and hold at the sixth time then release, the LED indicator in green and flashes quickly.

Please Note: When power is reconnected after the interruption, the LED indicator in green will flash quickly which means that the Dimmer is searching for WIFI. It will stop flashing and turn off when WIFI is connected successfully for 5 seconds. when the LED indicator in solid green that means your network anomaly, pls check the network.

◆ LED INDICATION

Quick Blinking Green: Connecting to the network.

Slow Blinking Green: AP mode.

Green bright after 2 seconds off: Connected to the network.

Soild Green: Network abnormaly .

Solid Blue: The WIFI Dimmer is switched on.

Off: The WIFI Dimmer is switched off.

◆ FCC COMPLIANCE

This device complies with Part 15 of the FCC Rules. Operation is subject to the following two conditions: 1. This device may not cause interference, and 2. This device must accept any interference received, including interference that may cause undesired operation.

◆ WARRANTY INFORMATION

Our company warranties its products to be free of defects in materials and workmanship for a period of two (2) years. There are no obligations or liabilities on the part of our company for consequential damages arising out of or in connection with the use or performance of this product or other indirect damages with respect to loss of property, revenue, or profit, or cost of removal, installation or reinstallation.

Federal Communication Commission Interference Statement

This equipment has been tested and found to comply with the limits for a Class B digital device, pursuant to Part 15 of the FCC Rules. These limits are designed to provide reasonable protection against harmful interference in a residential installation. This equipment generates, uses, and can radiate radio frequency energy and, if not installed and used in accordance with the instructions, may cause harmful interference to radio communications. However, there is no guarantee that interference will not occur in a particular installation. If this equipment does cause harmful interference to radio or television reception, which can be determined by turning the equipment off and on, the user is encouraged to try to correct the interference by one or more of the following measures:

- Reorient or relocate the receiving antenna.
- Increase the separation between the equipment and receiver.
- Connect the equipment into an outlet on a circuit different from that to which the receiver is connected.
- Consult the dealer or an experienced radio/TV technician for help.

Caution: Any changes or modifications not expressly approved by the party responsible for compliance could void the user's authority to operate this equipment.

FCC Radiation Exposure Statement:

This equipment complies with FCC radiation exposure limits set forth for an uncontrolled environment. This equipment should be installed and operated with minimum distance 20cm between the radiator & your body.

RF Exposure: A distance of 20 cm shall be maintained between the antenna and users, and the transmitter module may not be co-located with any other transmitter or antenna.