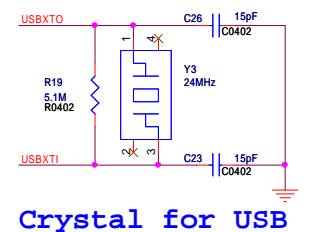
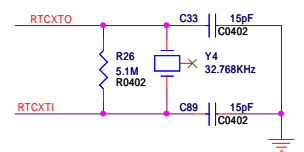


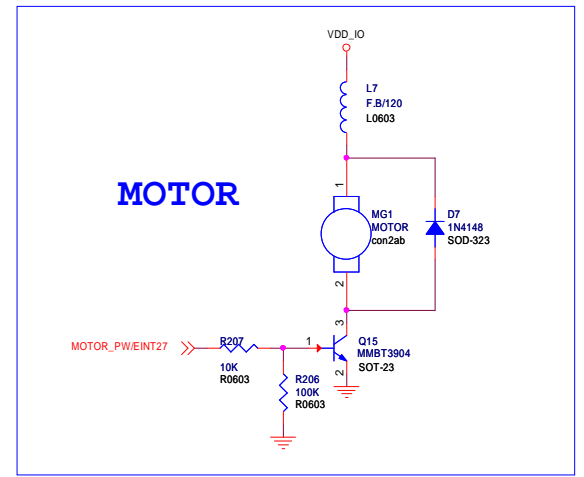
Crystal for core



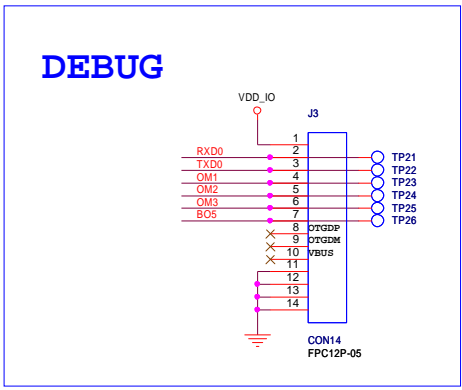
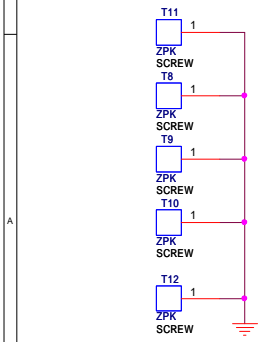
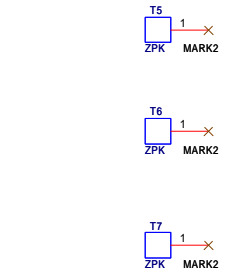
Crystal for USB



Crystal for RTC

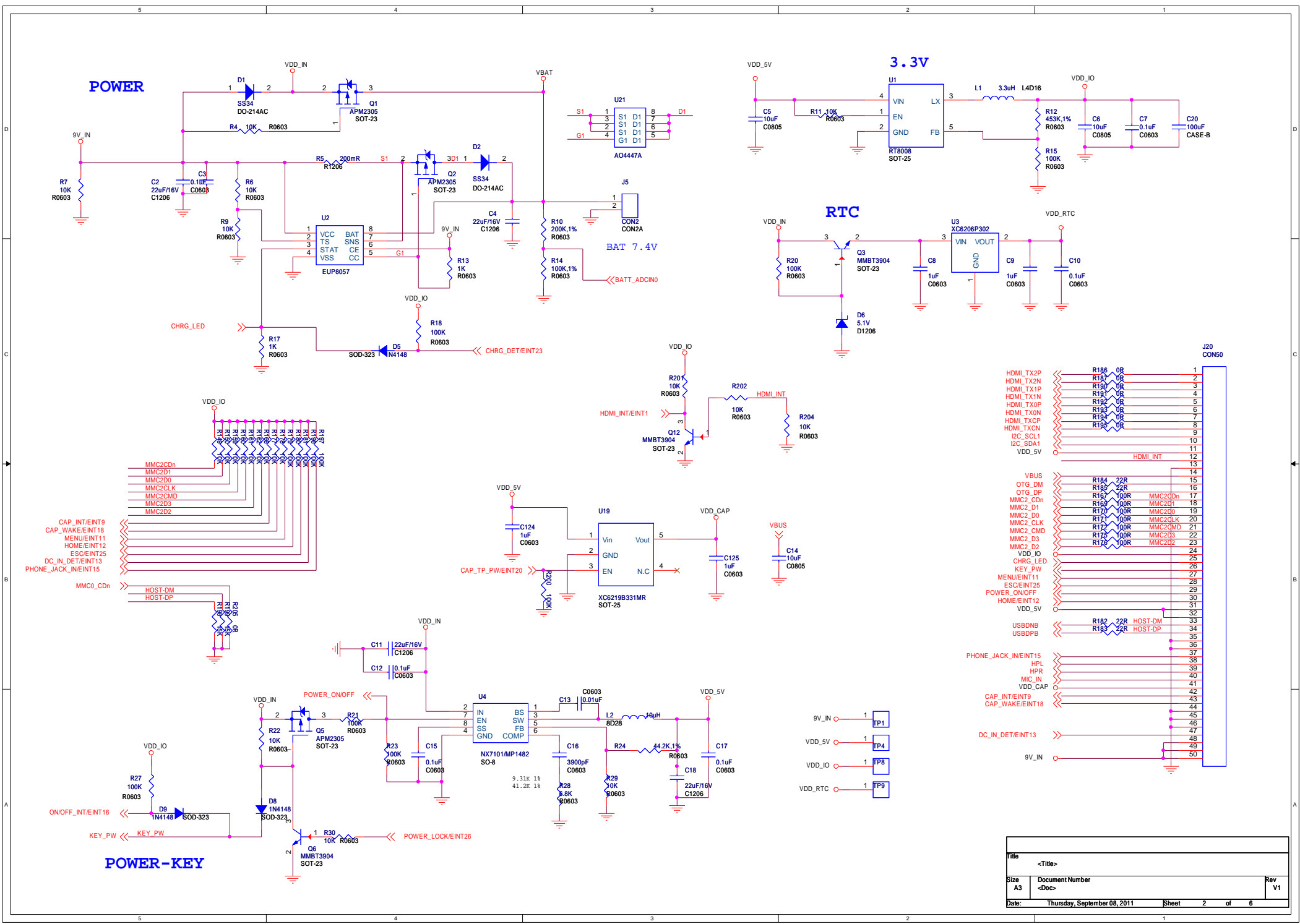


MOTOR



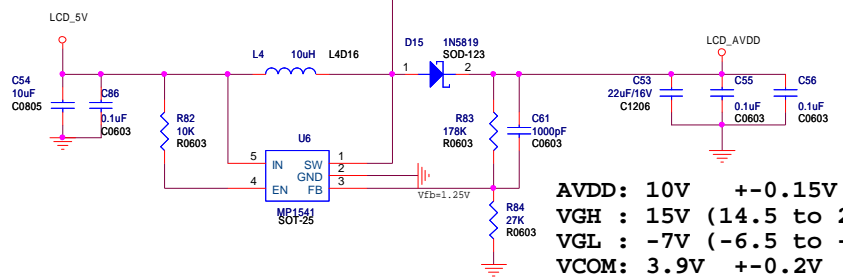
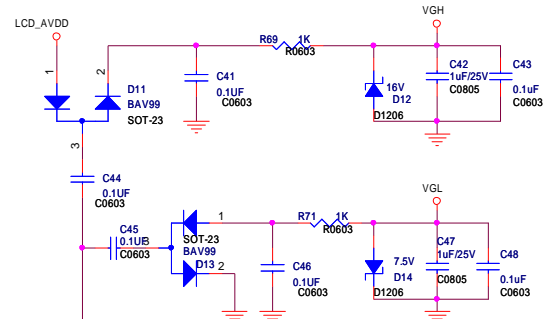
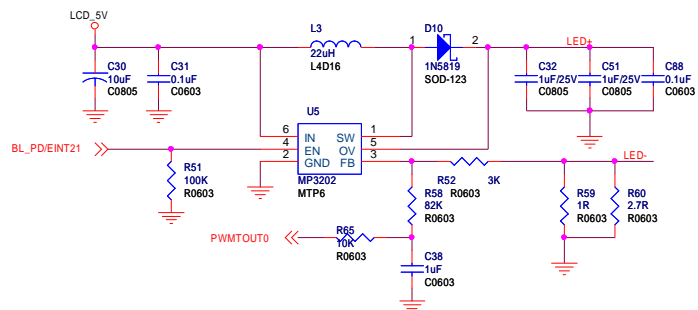
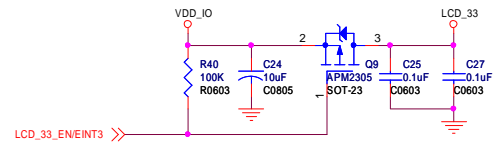
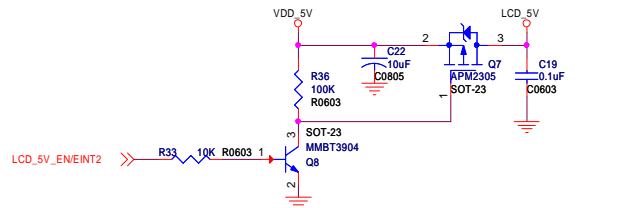
DEBUG

Title	<Title>		Rev	V1
Size	A3	Document Number	<Doc>	
Date:	Monday, September 19, 2011	Sheet	1	of 6

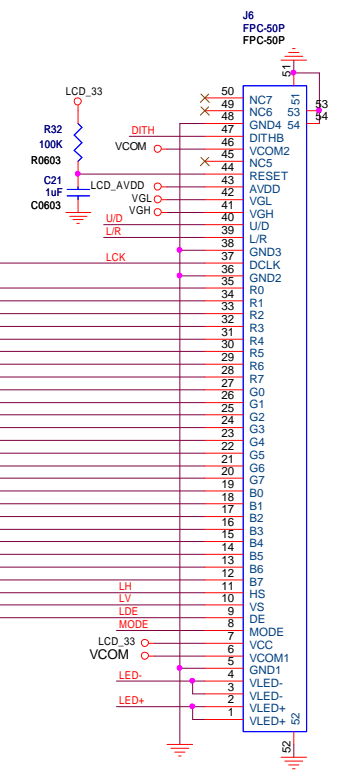
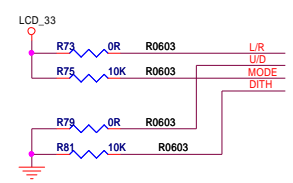
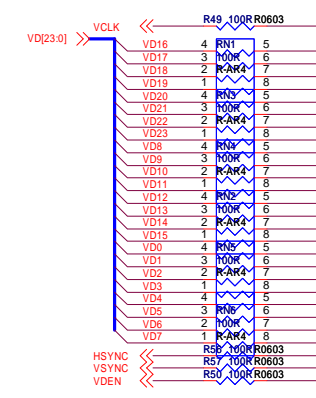
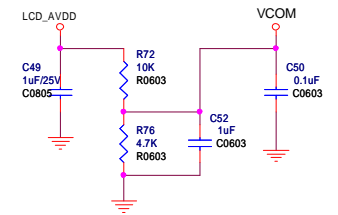


Signal Name	Component	Value	Pin
HDMI_TX2P	R186	0R	1
HDMI_TX2N	R187	0R	2
HDMI_TX1P	R190	0R	3
HDMI_TX1N	R191	0R	4
HDMI_TX0P	R192	0R	5
HDMI_TX0N	R193	0R	6
HDMI_TXCP	R194	0R	7
HDMI_TXCN	R195	0R	8
I2C_SCL1	R196	0R	9
I2C_SDA1	R197	0R	10
VDD_5V			11
HDMI_INT			12
VBUS			13
OTG_DM	R184	22R	14
OTG_DP	R185	22R	15
MMC2_CdN	R160	00R	16
MMC2_D1	R161	00R	17
MMC2_D0	R162	00R	18
MMC2_CLK	R171	00R	19
MMC2_CMD	R172	00R	20
MMC2_D3	R173	00R	21
MMC2_D2	R174	00R	22
VDD_IO	R175	00R	23
CHRG_LED			24
KEY_PW			25
MENU/ENT11			26
ESC/ENT12			27
POWER_ON/OFF			28
HOME/ENT12			29
VDD_5V			30
USBDB	R182	22R	31
USBDPB	R183	22R	32
PHONE_JACK_IN/ENT15			33
HPR			34
MIC_IN			35
VDD_CAP			36
CAP_INT/ENT9			37
CAP_WAKE/ENT18			38
DC_DET/ENT13			39
9V_IN			40
			41
			42
			43
			44
			45
			46
			47
			48
			49
			50

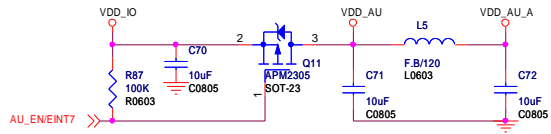
Title		<Title>
Size	Document Number	
A3	<Doc>	Rev V1
Date:	Thursday, September 08, 2011	Sheet 2 of 6



AVDD: 10V +/-0.15V
VGH : 15V (14.5 to 20v)
VGL : -7V (-6.5 to -10v)
VCOM: 3.9V +/-0.2V
VCC : 3V (2.7 to 3.5V)

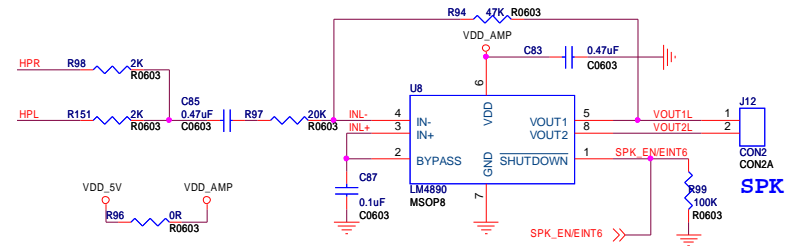
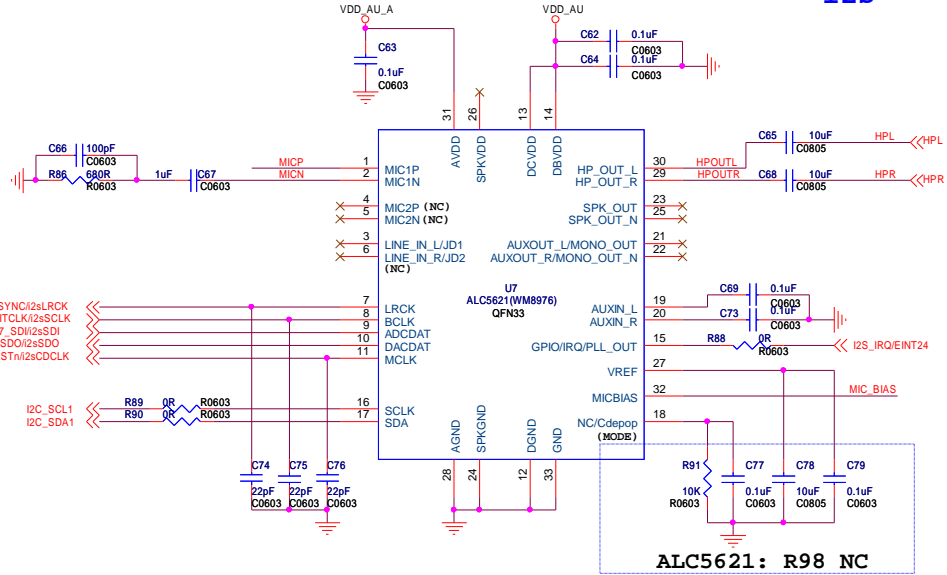
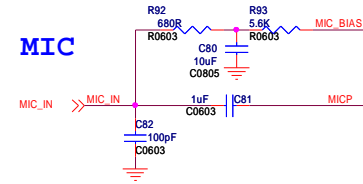


Title			<Title>
Size	Document Number	Rev	
A3	<Doc>	V1	
Date:	Thursday, September 08, 2011	Sheet	3 of 6

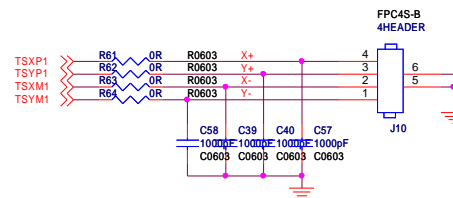
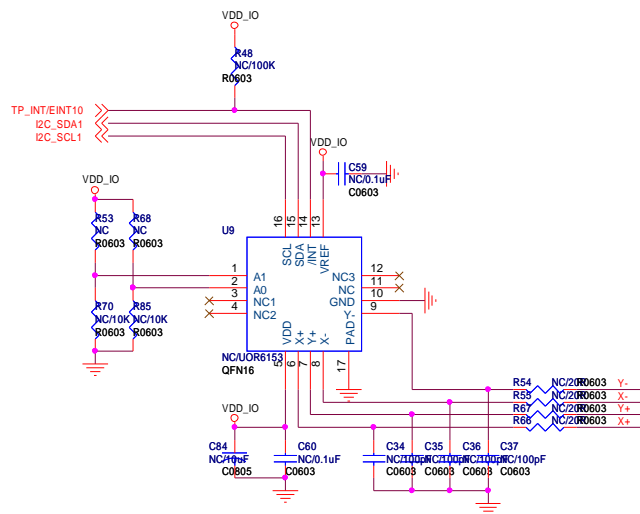


I2S

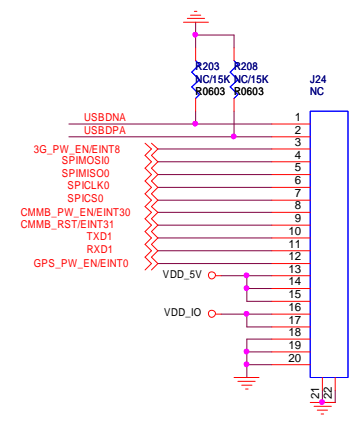
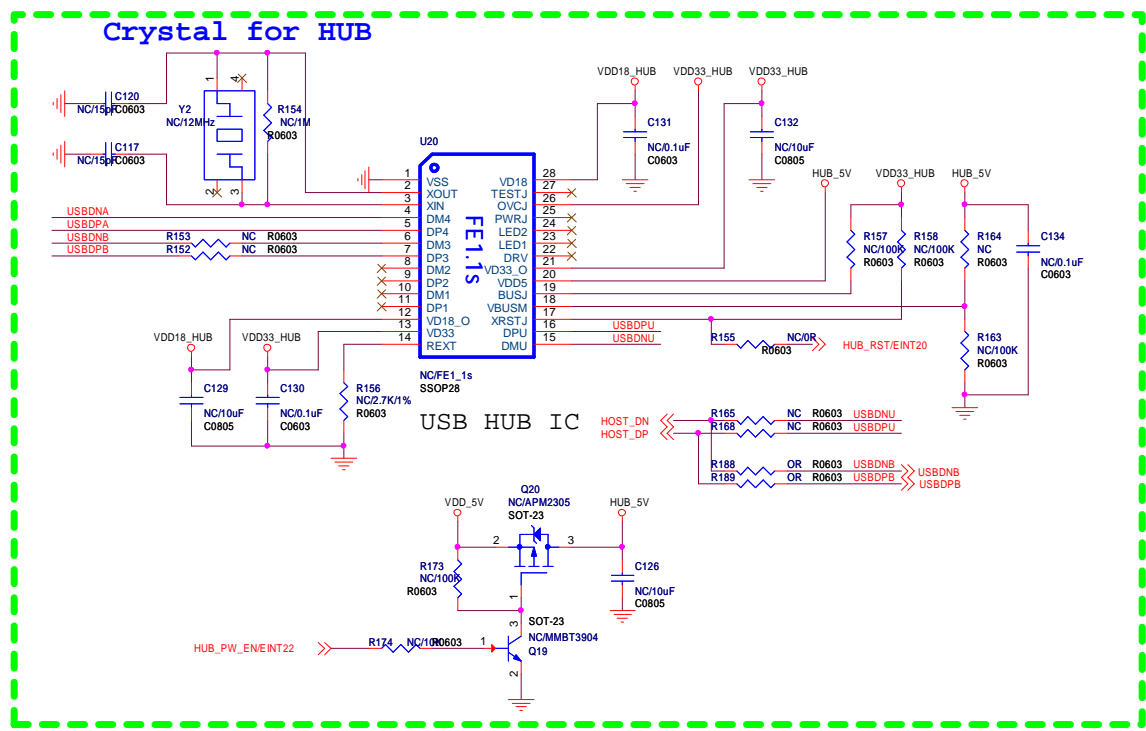
MIC



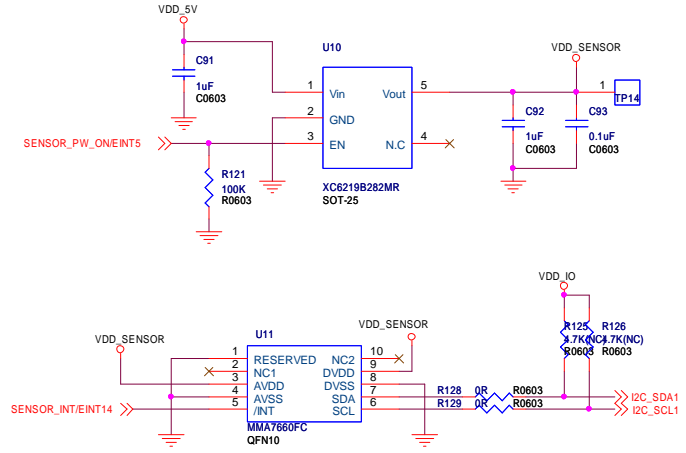
SPK



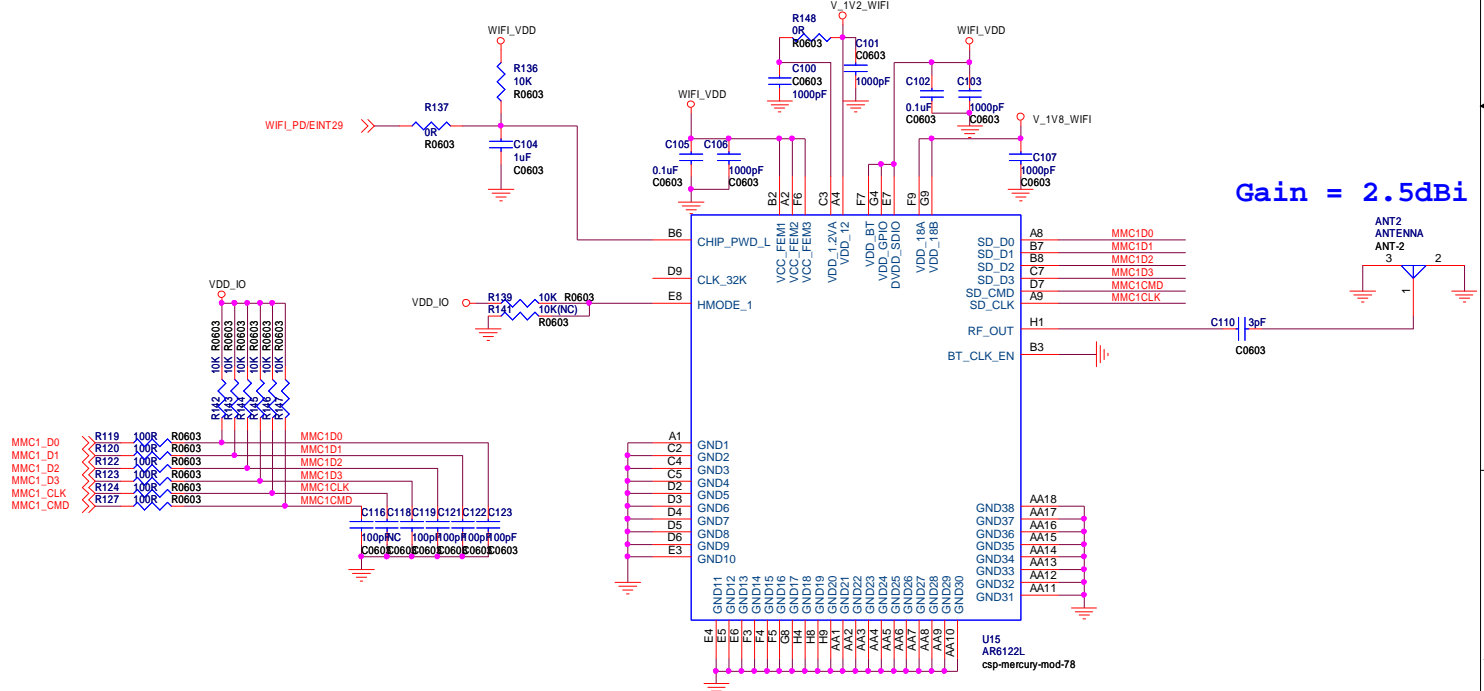
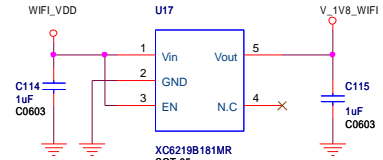
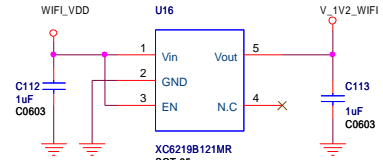
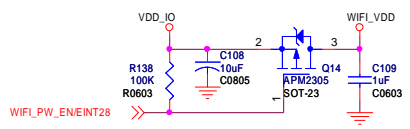
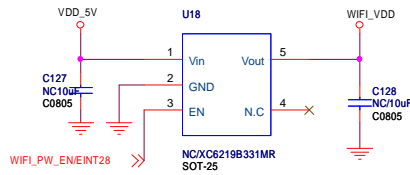
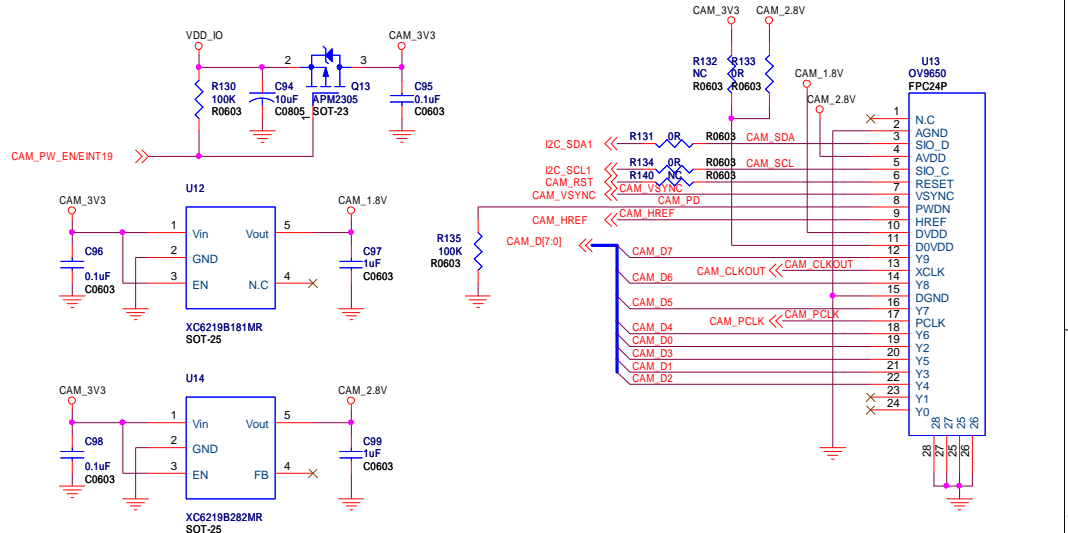
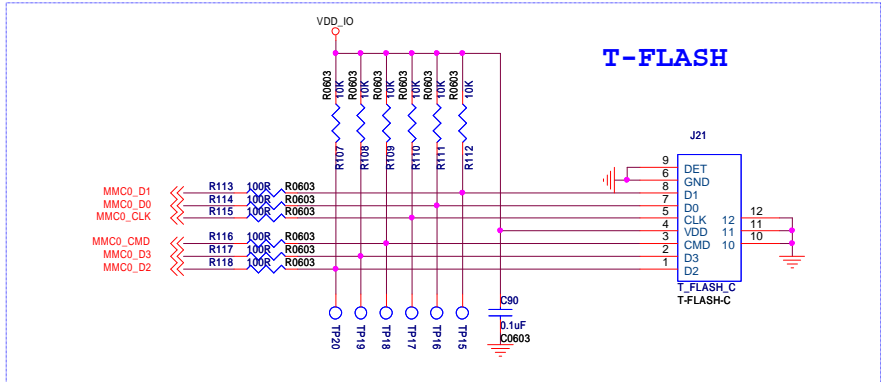
Title		<Title>
Size	Document Number	Rev
A3	<Doc>	V1
Date:	Thursday, September 08, 2011	Sheet 4 of 6



Orientation/Motion Detection Sensor



Title			<Title>
Size	Document Number	Rev	
A3	<Doc>	V1	
Date:	Monday, September 19, 2011	Sheet	5 of 6



Gain = 2.5dBi

Title		<Title>
Size	Document Number	Rev
A3	<Doc>	V1
Date:	Monday, September 19, 2011	Sheet 6 of 6