

6

5

4

3

2

1

D

D

C

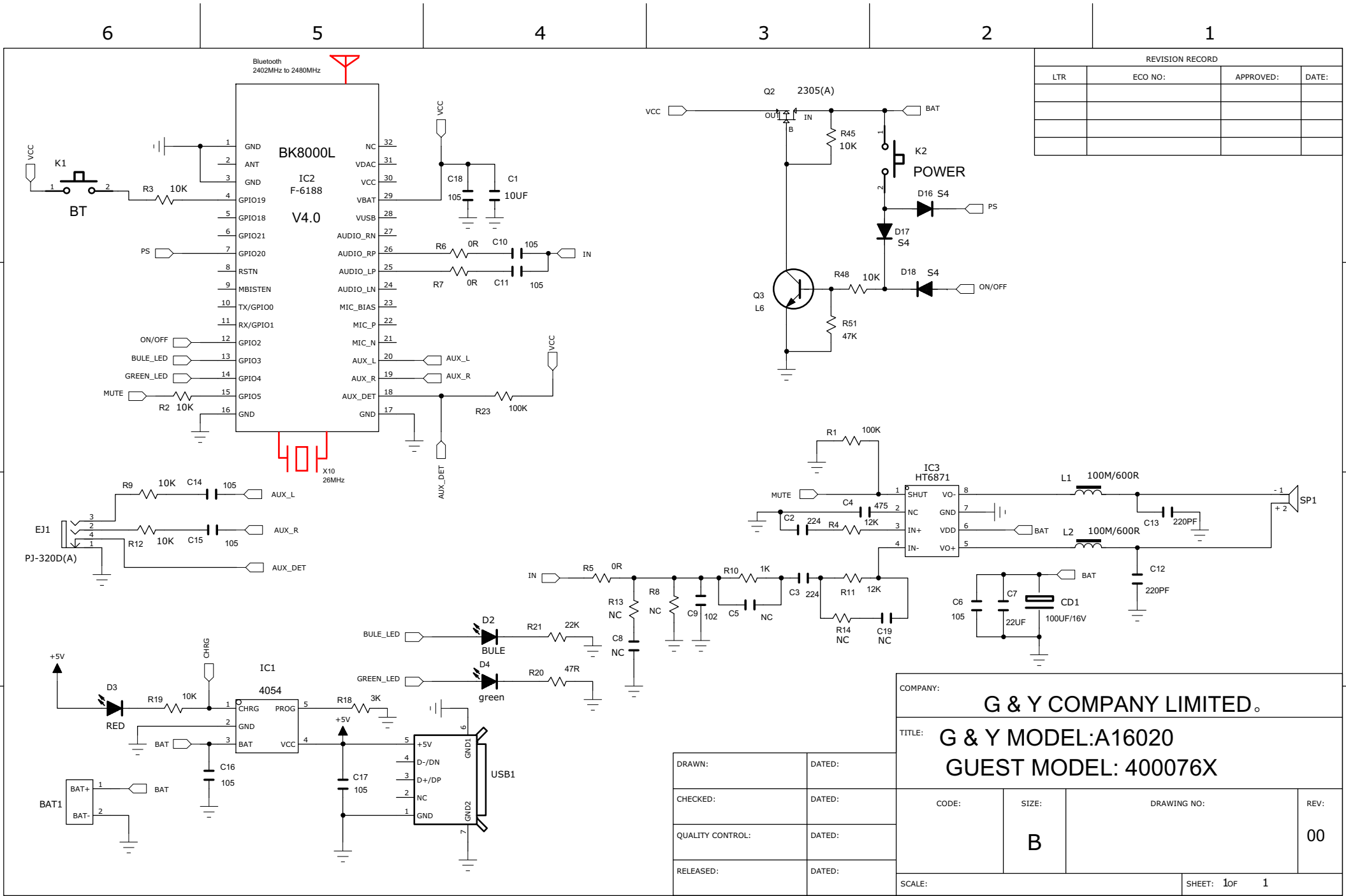
C

B

B

A

A



REVISION RECORD			
LTR	ECO NO:	APPROVED:	DATE:

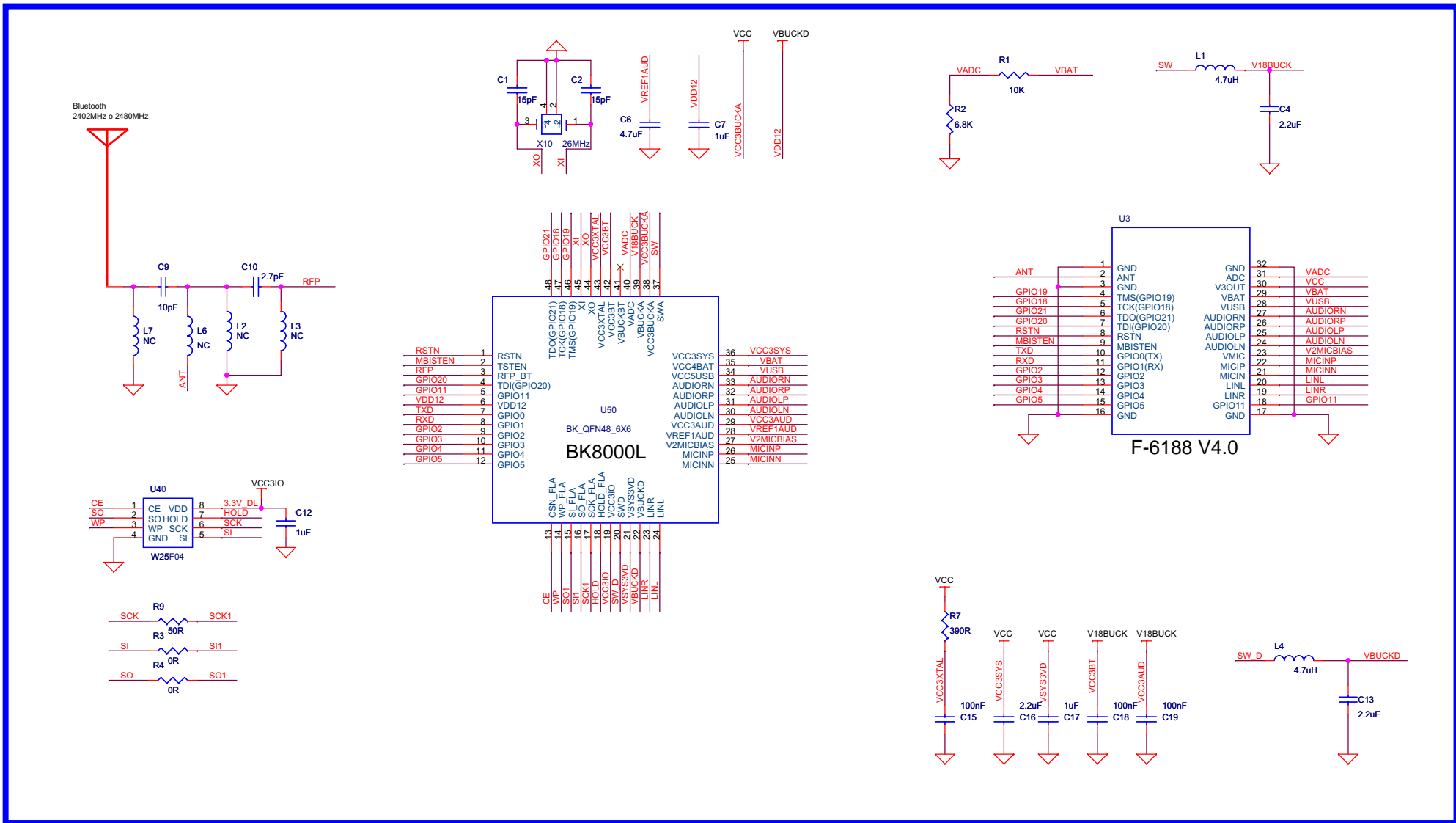
COMPANY: **G & Y COMPANY LIMITED.**

TITLE: **G & Y MODEL:A16020**
GUEST MODEL: 400076X

CODE:	SIZE:	DRAWING NO:	REV:
	B		00

SCALE: SHEET: 1 of 1

DRAWN:	DATED:
CHECKED:	DATED:
QUALITY CONTROL:	DATED:
RELEASED:	DATED:



A

A