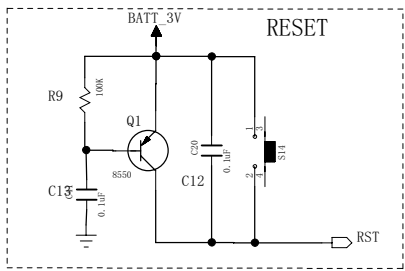
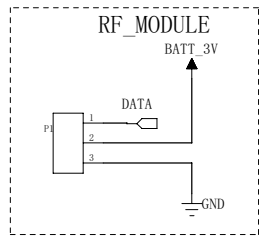
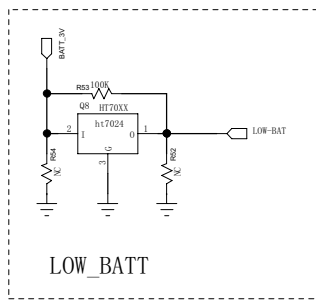
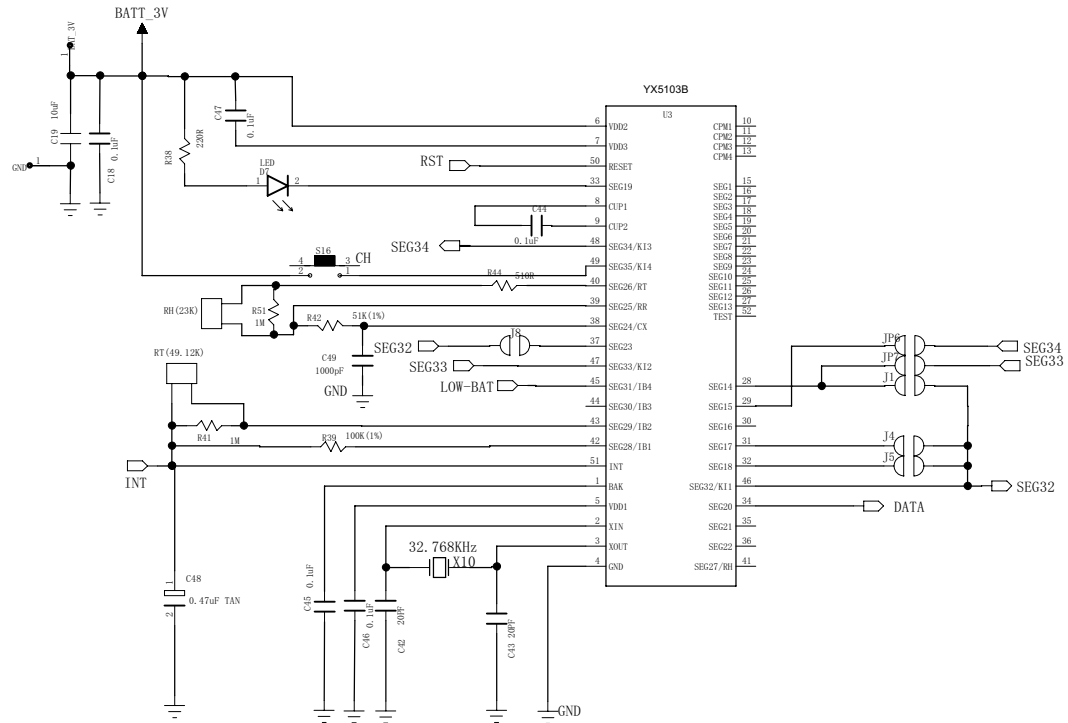


REV.	MODIFICATION	DATE:	CHK:	APP:
1				



J6 J7 J8	000	0%
J6 J7 J8	001	+2%
J6 J7 J8	010	+4%
J6 J7 J8	011	+6%
J6 J7 J8	100	-2%
J6 J7 J8	101	-4%
J6 J7 J8	110	-6%
J6 J7 J8	111	-6%

RH\_OFFSET

J1	OPEN	c
J1	CLOSE	F
J4 J5	0 0	Channel 1
J4 J5	1 0	Channel 2
J4 J5	0 1	Channel 3
J4 J5	1 1	KEY CONTROL CHANNEL

COMPANY:					
MODEL:					
PCB VER:	00	TITLE	SCH	DOC VER	00
PAGE NO. DRN./DATE:			DWG NO: *		
CHK. /DATE:			IC:		
APP. /DATE:			LCD:		
<input type="checkbox"/> TO FILE			SHEET OF: 1/1		

# RF Module

