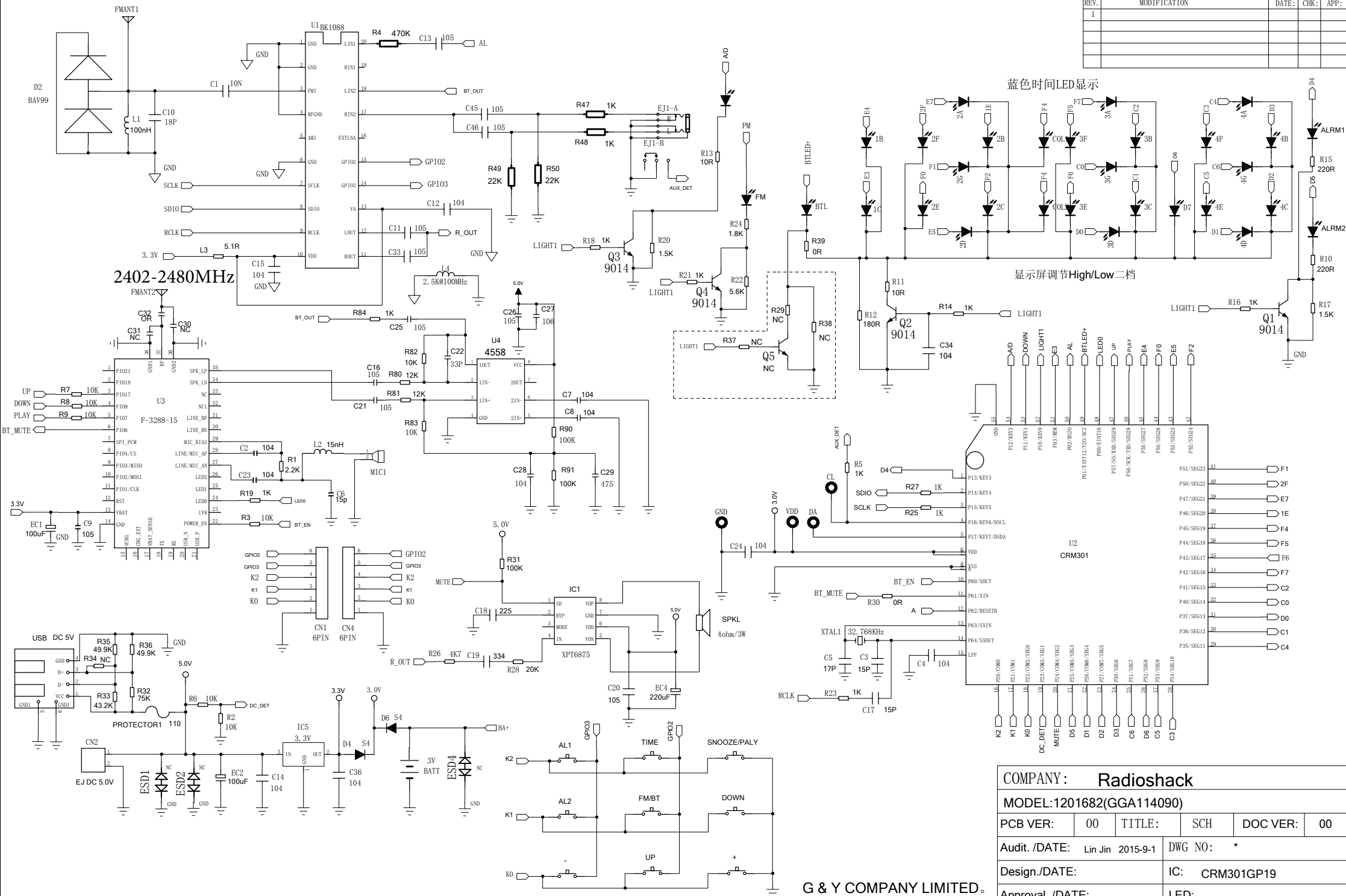


| REV. | MODIFICATION | DATE: | CHK: | APP: |
|------|--------------|-------|------|------|
| 1 | | | | |
| | | | | |
| | | | | |



| | | | | |
|----------------------------------|----|--------|----------------|-------------|
| COMPANY: Radioshack | | | | |
| MODEL: 1201682(GGA114090) | | | | |
| PCB VER: | 00 | TITLE: | SCH | DOC VER: 00 |
| Audit./DATE: Lin Jin 2015-9-1 | | | DWG NO: * | |
| Design./DATE: | | | IC: CRM301GP19 | |
| Approval./DATE: | | | LED: | |
| <input type="checkbox"/> TO FILE | | | SHEET OF: 1/1 | |

G & Y COMPANY LIMITED.

