

Declaration of Antenna combination

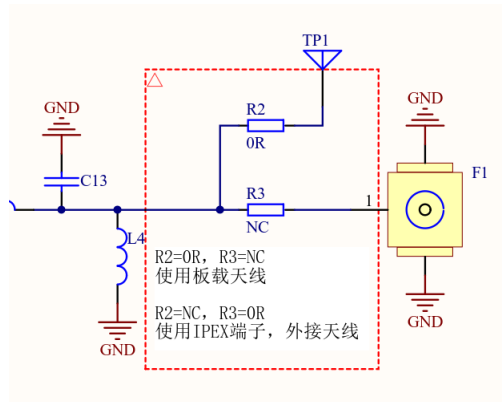
To whom it may concern,

Product name: DC CURTAIN MOTOR

Models: CM-36

FCC ID: ZY4CM36B

We declared that the Bluetooth uses an external antenna via IPEX port, which is realized by R2 vacant and R3 connected to 0ohm resistor, and the on-board antenna is blocked and not used.



R2=0ohm & R3=NC, uses on board antenna

R2=NC & R3=0ohm, uses external antenna via IPEX port

Yours sincerely,

Company Name: Coulisse B.V.
Company Officer: Manager Engineering / Bas Klein Tuinte
Telephone Number: +31 547855555
Email: bas.kleintuinte@coulisse.com