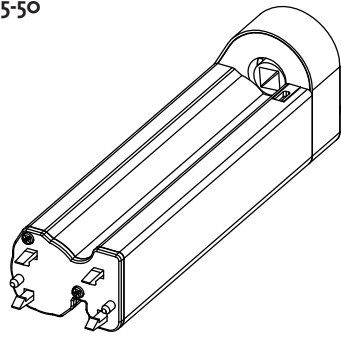


User manual
Tilt-only motor 35-50
ABC-18



coulisse

WARNING: Important safety instructions. Follow all instructions, since incorrect installation can lead to severe injury.

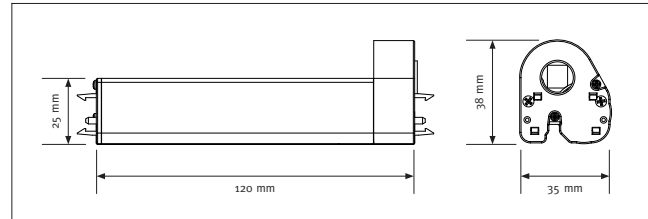
WARNING: Do not make repairs yourself. Do not attempt to open the device or disassemble it. You run the risk of electric shock and voiding the limited warranty. No user-serviceable parts are inside.



1. General information

The ABC-18 is a universal tilt-motor for 35 mm and 50 mm venetian blinds. The motor is placed in the middle of the head rail.

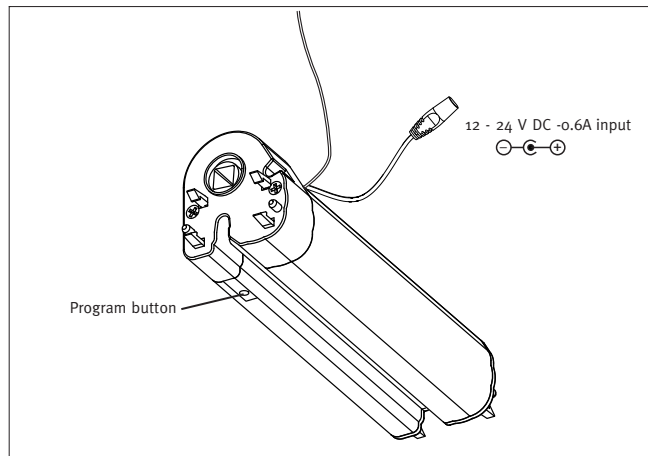
1.1 Dimensions



1.2 Specifications

ABC-18	
Power supply	12-24V - 0,3 A
Rated power	3W
Torque (rpm)	0.65Nm
Operating temperature	5 - 60 °
Max. number of channels	32 channels

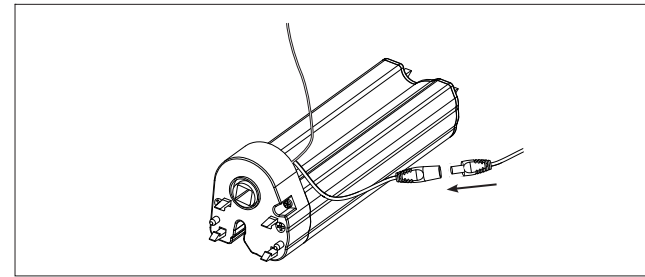
1.3 Power supply and buttons



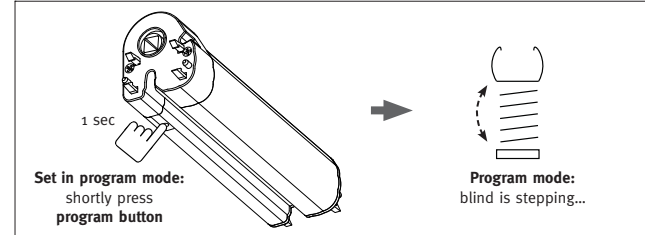
2. Programming and operation

2.1 First use

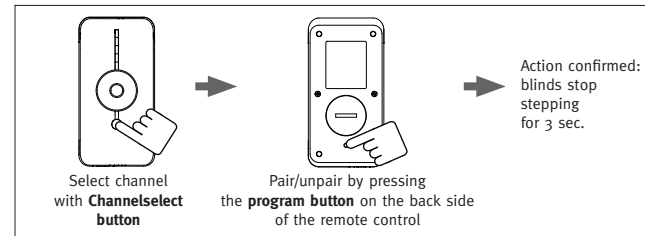
Step 1: Connect the motor to 12 - 24 V DC



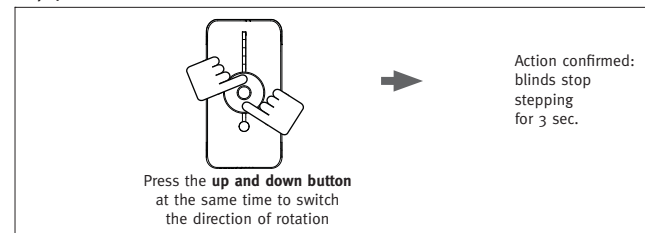
Step 2: Set the blind in program mode by pressing the program button (also possible with SingleSelect, See manual remote control)



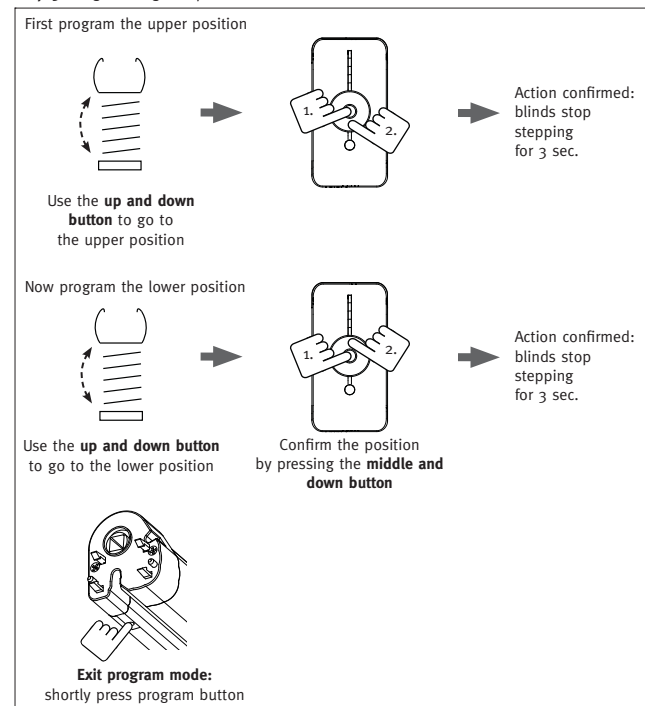
Step 3: Pair blind to channel/remote control



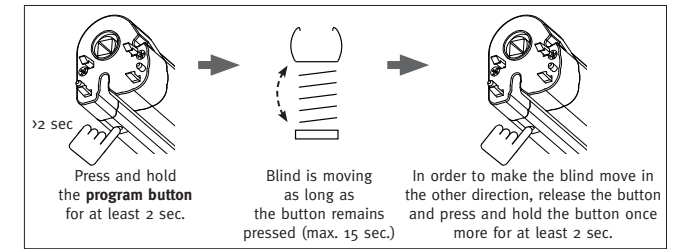
Step 4: Switch direction of rotation



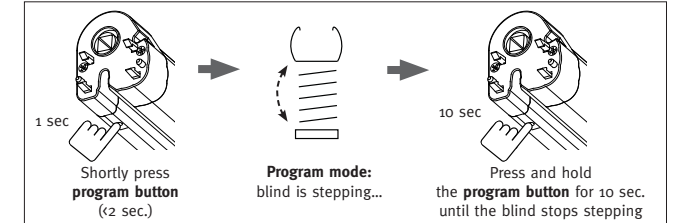
Step 5: Programming end positions



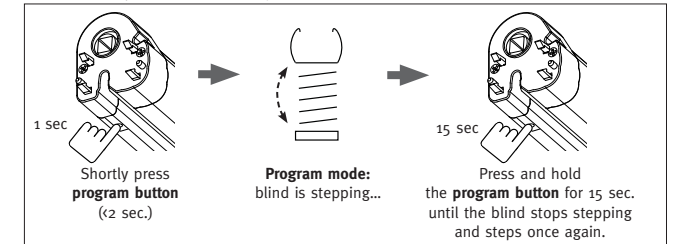
2.2 Operation
- Manual operation



2.3 Reset
- Reset to factory defaults



- Reset to factory defaults & erase all paired channels/remote controls



2.4 Advanced settings

Advanced settings:	Available
Switch rotation direction	Yes
Favourite position	Yes
BatteryMode	Yes

See manual remote control for programming of advanced settings.

3. Tips & Troubleshooting

Please check www.coulisse.nl for the latest tips and troubleshooting guide.

4. Safety & Cleaning

4.1 Safety

WARNING: Do not make repairs yourself. Do not attempt to open the device or disassemble it. You run the risk of electric shock and voiding the limited warranty. No user-serviceable parts are inside.

- Do not let children play with the blind and/or remote control.
- Only use powersupplies or batteries that comply with the specifications on the motor.
- In case of malfunction, unplug the device or remove the batteries and contact your dealer.
- Take care that the blind can move freely and is not blocked by objects.
- Take care that the powersupply cable is out of reach for children.
- Do not paint the device.
- Keep the device dry.

4.2 Cleaning

Follow these general rules when cleaning the outside of the device and its components:

- Make sure the device is unplugged.
- Use a damp, soft, lint-free cloth. Avoid getting moisture in openings.
- Don't use aerosol sprays, solvents, alcohol, or abrasives.

5. Service & Support

WARNING: Do not make repairs yourself. Do not attempt to open the device or disassemble it. You run the risk of electric shock and voiding the limited warranty. No user-serviceable parts are inside.

Online Resources

For the latest information and updated manuals go to www.coulisse.nl.

Obtaining Warranty Service

First follow the advice in this booklet and then go to your local dealer. If the product appears to be damaged or does not function properly, go to your local dealer for instructions on how to obtain warranty service.

Disclaimer:

© Copyright Coulisse

All rights reserved. No part of this publication may be reproduced, stored in a retrieval system, or transmitted, in any form, by any means, electronic, mechanical, photocopying, recording, digital or otherwise without the written permission of the publisher.

Although this manual has been composed with the most care, Coulisse B.V. does not accept any responsibility for damage due to mistakes and/or faults in this manual.

Coulisse B.V. reserves the right to revise the manual and to revise and/or changes its content at any time, without obligation to notify any person or entity of such revisions or changes.

The most recent version replaces older versions of this manual. The most recent version is available at www.coulisse.nl or contact your Coulisse contact person.

We invite you to send remarks and comments about this manual to manuals@coulisse.nl.