



# Instruction Manual

CD Shelf System

ITCDS-5000a blk

## IMPORTANT SAFETY INSTRUCTIONS

1. Read these instructions – All the safety and operating instructions should be read before this product is operated.
2. Keep these instructions – The safety and operating instructions should be retained for future reference.
3. Heed all warnings – All warnings on the appliance and in the operating instructions should be adhered to.
4. Follow all instructions – All operating and use instructions should be followed.
5. Do not use this apparatus near water – The appliance should not be used near water or moisture – for example, in a wet basement or near a swimming pool, and the like.
6. Clean only with a dry cloth.
7. Do not block any ventilation openings. Install in accordance with the manufacturer's instructions.
8. Do not install near any heat sources such as radiators, heat registers, stoves, or other apparatus (including amplifiers) that produce heat.
9. Do not defeat the safety purpose of the polarized or grounding plug. A polarized plug has two blades with one wider than the other. A grounding plug has two blades and a third grounding prong. The wide blade or the third prong is provided for your safety. If the provided plug does not fit into your outlet, consult an electrician for replacement of the obsolete outlet.
10. Protect the power cord from being walked on or pinched particularly at the plugs, convenience receptacles, and at the point where they exit from the apparatus.
11. Only use attachments/accessories specified by the manufacturer.
12. Use only with the cart, stand, tripod, bracket, or table specified by the manufacturer, or sold with the apparatus. When a cart or rack is used, use caution when moving the cart/apparatus combination to avoid injury from tip-over. 
13. Unplug the apparatus during lightning storms or when unused for long periods of time.
14. Refer all servicing to qualified personnel. Servicing is required when the apparatus has been damaged in any way, such as power supply cord or plug is damaged, liquid has been spilled or objects have fallen into the apparatus, the apparatus has been exposed to rain or moisture, does not operate normally, or has been dropped.
15. Please keep the unit in a well ventilated environment.
16. Only use attachments/accessories specified or provided by the manufacturer
17. To reduce the risk of fire or electric shock, do not expose this apparatus to rain or moisture. The apparatus shall not be exposed to dripping or splashing and no objects filled with liquids, such as vases, shall not be placed on apparatus.
18. CAUTION: Danger of explosion if battery is incorrectly replaced. Replace only with the same or equivalent type. Danger d'explosion si la batterie est remplacée de façon incorrecte. Remplacez-la uniquement avec le même type ou équivalent

19. The battery (battery or batteries or battery pack) shall not be exposed to excessive heat such as sunshine, fire or the like.
20. The mains plug is used as disconnect device, the disconnect device shall remain readily operable.
21.  This equipment is a Class II or double insulated electrical appliance. It has been designed in such a way that it does not require a safety connection to electrical earth.



**AVERTISSEMENT:**  
**RISQUE DE CHOC ÉLECTRIQUE—NE PAS OUVRIR.**

- This lightning flash with arrowhead symbol within an equilateral triangle is intended to alert the user to the presence of non-insulated “dangerous voltage” within the product’s enclosure that may be of sufficient magnitude to constitute a risk of electric shock.
- Warning: To reduce the risk of electric shock, do not remove cover (or back) as there are no user-serviceable parts inside. Refer servicing to qualified personnel.
- The exclamation point within an equilateral triangle is intended to alert the user to the presence of important operating and maintenance instructions in the literature accompanying the appliance.

23. The use of the equipment in moderate climate.
24. The ventilation should not be impeded by covering the ventilation openings with items, such as newspapers, table-cloths, curtains, etc.
25. No naked flame sources, such as lighted candles, should be placed on the apparatus.
26. The symbol with ~ indicate AC voltage.
27. Attention should be drawn to the environmental aspects of battery disposal.



**WARNING**  
**DO NOT INGEST BATTERY, CHEMICAL BURN HAZARD**

This product contains a coin/button cell battery. If the coin/button cell battery is swallowed, it can cause severe internal burns in just 2 hours and can lead to death.

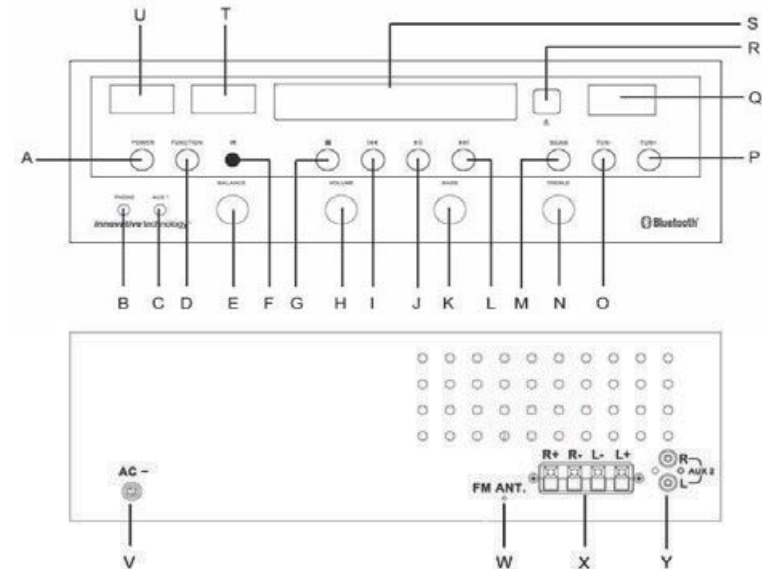
Keep new and used batteries away from children. If the battery compartment does not close securely, stop using the product and keep it away from children.

**If you think batteries might have been swallowed or placed inside any part of the body, seek immediate medical attention.**

28. Cells or batteries should not be disassembled, crushed, punctured, opened, or otherwise mutilated.
29. Always take care to correctly insert cells and batteries observing the positive (+) and negative (-) polarity marks on the product and the device for which it is intended.
30. Do not short circuit the cells or batteries. Store cells and batteries in their original packaging and away from metal objects which may short-circuit them.
31. Batteries should not be heated or exposed to temperatures exceeding the manufacturer’s recommended maximum temperature. Such thermal exposure may lead to leakage, fire, or explosion/disassembly.

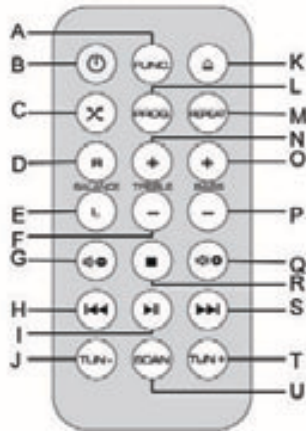
32. Do not drop or subject the cell or battery to strong mechanical shock.
33. Use the cell or battery with equipment that specifies its use.
34. Keep cells and batteries out of reach of children.
35. Seek medical advice immediately if a cell or battery has been swallowed.
36. In the event that the electrolyte comes into contact with the skin or eyes, immediately flush with fresh water for at least 15 minutes and seek medical advice.
37. Do not mix cells or batteries of different sizes, brands, capacities, or chemistries.
38. Consult the cell manufacturer for the maximum number of cells to be assembled in a battery.
39. Batteries should not be placed into a fire except under conditions of controlled incineration.
40. Failure to observe this precaution may result in an explosion/disassembly.

**BUTTONS AND CONTROLS**



- |                         |                          |  |
|-------------------------|--------------------------|--|
| A. POWER BUTTON         | J. ►   PLAY/PAUSE BUTTON | S. CD COMPARTMENT                      |
| B. HEADPHONE JACK       | K. BASS KNOB             | T&U. VOLUME (VU) METER                 |
| C. AUX IN 1 SOCKET      | L. ►► (NEXT) BUTTON      | V. AC POWER CORD                       |
| D. FUNCTION BUTTON      | M. SCAN BUTTON           | W. FM ANTENNA                          |
| E. BALANCE KNOB         | N. TREBLE KNOB           | X. SPEAKER INPUT SOCKET (LEFT & RIGHT) |
| F. IR                   | O. TUNING DOWN BUTTON    | Y. AUX IN 2 SOCKET (L/R)               |
| G. ■ STOP BUTTON        | P. TUNING UP BUTTON      |  |
| H. VOLUME KNOB          | Q. DISPLAY               |  |
| I. ◀◀ (PREVIOUS) BUTTON | R. EJECT/ENTER BUTTON    |  |

## REMOTE CONTROL



- A. **FUNCTION BUTTON:** Select a source
- B. **ON/STANDBY BUTTON:** Set the unit to ON / STANDBY
- C. **RANDOM:** Select for random playback
- D. **BALANCE RIGHT:** Increase right speaker output
- E. **BALANCE LEFT:** Increase left speaker output
- F & N. **TREBLE (+/-):** Increase or decrease treble
- G & Q. **VOLUME + / - :** Adjust the volume level
- H & S. **▶▶ NEXT / ◀◀ PREVIOUS:** Skip tracks forward or backward
- I. **▶|| PLAY/PAUSE:** Pause and resume playback
- J & T. **TUN- / TUN+ :** Adjusts the frequency in FM mode
- K. **EJECT/ENTER:** In CD mode, eject and close CD tray
- L. **PROGRAM:** Set program playback
- M. **REPEAT:** Set playback to repeat
- O & P. **BASS (+/-):** Increase or decrease bass
- R. **■ STOP BUTTON:** Stop playback
- U. **SCAN:** Scans available radio stations

## GETTING STARTED

### CONNECTING THE EXTERNAL SPEAKERS

The speaker input sockets are located at the back of the main unit.

1. Unwrap the speaker wire from the left speaker and plug it into the left (L) speaker socket on the main unit.
2. Unwrap the speaker wire from the right speaker and plug it into the right (R) speaker socket on the main unit.
3. Make sure the speaker cables are not run in areas where they could cause danger.

### PRELIMINARY

Before using your audio system, the protective packing should be removed from the CD compartment. To remove the protective packing:

1. Press the **EJECT/ENTER** button to the right of the CD door to open the CD door.
2. Remove the protective packing from the CD compartment.
3. Close the CD door by pressing the **EJECT/ENTER** button again.

### FM Antenna

Unwrap the FM antenna and extend it fully. You may need to adjust the position of the antenna to get optimum reception.

### Connecting to a Power Source

1. Check that the mains voltage on the rating plate on the back of the main unit is the same as the voltage in your area.
2. Plug the electric plug into the wall socket. The CD Stereo System is now ready for use.

### Standby Control

Press the **POWER** button to turn the unit **ON**. Press again to turn the unit **OFF**.

NOTE: When leaving the unit unattended for long periods (such as vacations), please disconnect the power plug from the mains supply.

## LISTENING TO THE RADIO

1. Press the **FUNCTION BUTTON** to switch to the **FM RADIO**. The display will show a radio station: "**87.5**".
2. Tune to a desired radio station. The frequency is indicated on the display.
  - **MANUAL TUNING:** Press the **TUN+** or **TUN-** button briefly and the frequency will tune up or down.
  - **AUTO SEARCHING:** Press the **TUN+** or **TUN-** button for more than 2 seconds, the radio frequency will start to change on the display. Once a station is found, the radio will stop searching and start to broadcast immediately.
3. Re-position the antenna if necessary.

## SETTING FM RADIO PRESETS

The CD Stereo System can store up to 20 radio station presets.

### To Manually Set Presets

1. Find the radio station you would like to save.
2. Press the **PROGRAM** button on the remote control.
3. Press **NEXT BUTTON / PREVIOUS BUTTON** to select the preferred Preset Number. The display will show "P 01, P 02, etc..."
4. Press the **PROGRAM** button again to save the station.
5. Repeat steps 1-4 until you have finished saving your presets.
6. To navigate through the stored presets, press the **PREVIOUS BUTTON** or **NEXT BUTTON**

NOTE: If you press and hold the **SCAN** button, it will delete all of the previous presets you have stored and automatically reprogram all 20 presets.

### To Automatically Save Presets

Using the **SCAN** feature, the CD Stereo System can automatically find and save your presets.

1. Press and hold the **SCAN** button. The unit will begin searching for radio stations with clear reception.
2. Once a station is found the unit will save it as a preset. The unit will continue searching for and save stations until all 20 presets have been filled.
3. To navigate through the stored presets, press the **PREVIOUS BUTTON** or **NEXT BUTTON**

NOTE: If you press and hold the **SCAN** button, it will delete all of the previous presets you have stored and automatically reprogram all 20 presets.

## ADJUSTING THE VOLUME

### VOLUME ADJUSTMENT

Twist the **VOLUME KNOB** to adjust the volume. The volume level will be shown in the LED Display in the top right corner of the unit.

NOTE: Depending on the type of music/audio output from the CD Stereo System, the 2 Volume (VU) Meters might not move at lower volumes. In some cases, the volume must be around "#10 or higher" to see very active movement.

### BALANCE

Twist the **BALANCE KNOB** to adjust the volume between the left speaker and the right speaker. The volume of the left speaker and right speaker is equal when the LED display shows "00".

### TREBLE AND BASS

Twist the **TREBLE KNOB** and **BASS KNOB** to adjust the treble and bass levels from "-3" to "3".

## LISTENING TO A CD

1. Press **FUNCTION** button until the display reads "CD".
2. Press the **EJECT/ENTER** button to open the CD door, put a CD onto the CD tray with the printed label facing up (towards you). To close the CD door, press **EJECT/ENTER** button again.

**Note:** Remember to remove the CD when you are finished listening.

**To Play a CD When Stopped:** Press the **PLAY/PAUSE** button. The disc will play from track 1.

**To Pause a CD While Playing:** Press the **PLAY/PAUSE** button. The disc will pause and pause indicator appears on the display. Press the **PLAY/PAUSE** button again to resume playback.

**To Stop a CD While Playing:** Press the **STOP** button.

**To Change Tracks:** Press **PREVIOUS BUTTON** or **NEXT BUTTON**.

**To Search During Playback:** Press and hold the **PREVIOUS BUTTON** or **NEXT BUTTON** until the desired section is located. While searching, sound will be played at a distorted speed. Playback returns to normal when the button is released.

### REPEATING/RANDOM PLAYBACK OF A TRACK OR A CD

Press the **REPEAT** button on the remote control to circle the play mode:

- Repeat 1---Press the **REPEAT** button on the remote control once and the current track will be played continuously
- Repeat All---Press the **REPEAT** button again and ALL tracks on the current disc will be played continuously.
- Normal playback --- Press **REPEAT** button again to resume normal playback.  
**Note:** Pressing the **STOP** button will stop playback and the play mode will be cleared.

### PROGRAM PLAY

Program play must be set when the CD is stopped. You can program up to 20 tracks in any order.

1. Press **STOP** button and then press **PROGRAM** button on the remote control.
2. Press **NEXT BUTTON / PREVIOUS BUTTON** to select a track. The display shows the selected track.
3. Press the **PROGRAM** button on the remote control to add the track into the program list.
4. Repeat steps 2 and 3 until you complete the programming. You can program up to 20 tracks.

**To Start the Program Play:** Press **PLAY/PAUSE** button.

**To Pause or Stop a Program Play:** Press **PLAY/PAUSE** or **STOP** button.

**To Replay a Program:** Press **PLAY/PAUSE** button.

**To Review the Content of a Program:** Press **STOP** button then keep pressing the **PROGRAM** button to review the programmed tracks.

**To Clear the Program:** Press **STOP** button twice or open and close the CD door.