

V3
FINAL
FOR PRINT

RF-WHP212_12-0593_MAN_V3.fm Page 1 Thursday, May 31, 2012 7:39 AM



2.4 GHz Digital Wireless Stereo Headphones

RF-WHP212

User Guide



Rocketfish RF-WHP212 2.4 GHz Digital Wireless Stereo Headphones

Contents

Introduction	3
Safety information	4
Features	6
Setting up your system	9
Using your system.....	13
Maintaining your system	16
Troubleshooting	17
Specifications.....	18
Legal notices	18
One-year limited warranty	21

Introduction

Congratulations on your purchase of high-quality Rocketfish 2.4 GHz Digital Wireless Stereo Headphones. This system represents the state of the art in 2.4 GHz wireless headphone design, and gives you complete freedom while enjoying your music or movie without the limitations of cables.

The system has a maximum transmission range of up to 60 feet (20 m). You can use the docking station to recharge the headphones when they are not in use.

The system can be used with your television or other audio components, like your CD/DVD player, home theater system, or even audio output from a computer or MP3 player.

This User Guide explains how to correctly install, operate, and get the best performance from your Rocketfish Digital Wireless Stereo Headphones. Read this guide carefully before installing your system, and then keep it handy for quick reference.

Safety information

Warning: To reduce the risk of fire or electric shock, do not expose this system to rain or moisture.

Caution: To reduce the risk of electric shock, do not remove screws, covers, or the cabinet. There are no user-serviceable parts inside. Refer servicing to qualified service personnel.

- Read these instructions.
- Keep these instructions.
- Heed all warnings.
- Follow all instructions.
- Do not use this system near water.
- Clean only with a dry cloth.
- Do not install near any heat sources such as radiators, heat registers, stoves, or other apparatus (including amplifiers) that produce heat.
- Do not defeat the safety purpose of the polarized or grounding-type plug. A polarized plug has two blades with one wider than the other. A grounding type plug has two blades and a third grounding prong. The wide blade or the third is provided for your safety. If the provided plug does not fit into your outlet, consult an electrician for replacement of the obsolete outlet.

- Protect the power cord from being walked on or pinched particularly at plugs, power outlets, and the point where they exit from the system.
- Only use attachments or accessories specified by the manufacturer.
- Unplug this system during lightning storms or when unused for long periods of time.
- Refer all servicing to qualified service personnel. Servicing is required when the system has been damaged in any way, such as power-supply cord or plug is damaged, liquid has been spilled or objects have fallen into the system, the system has been exposed to rain or moisture, does not operate normally, or has been dropped.
- To reduce the risk of fire or electric shock, do not expose this system to rain or moisture.
- The shock hazard marking and associated graphical symbol are provided on the supplied AC adapter.
- The system shall not be exposed to dripping or splashing and objects filled with liquids should not be placed on the system.
- The AC plug or AC adapter is used as the disconnect device. The disconnect device shall remain readily available.
- Excessive sound pressure from headphones can cause hearing loss.
- Batteries (battery pack and batteries installed) should not be exposed to excessive heat such as sunshine or fire.
- Do not place any conductive material in the cradle to avoid short circuits involving the charging pins.



Features

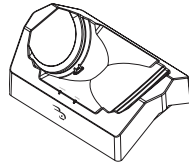
- High-Performance Audio - Digital sound with adjustable volume control.
- Strong Wireless Signal - 60 ft. (20 m) wireless range (maximum, line-of-sight).
- Easy to Use - Easy setup, rechargeable batteries with convenient base docking station.

Package contents

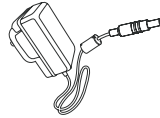
Examine the contents of the box for your digital wireless stereo headphones. The box should contain:



Headphones



Docking station



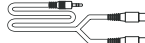
AC adapter



AAA Rechargeable batteries (2)



RCA audio cable (1)



3.5 mm-to-RCA adapter cable

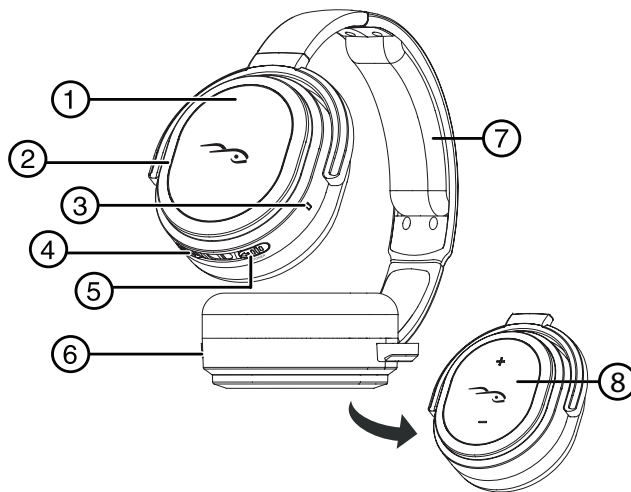


User Guide



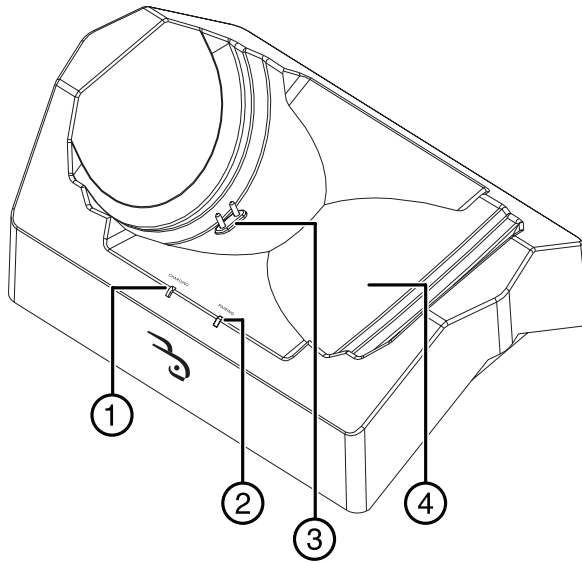
Quick Start Guide

Headphones back



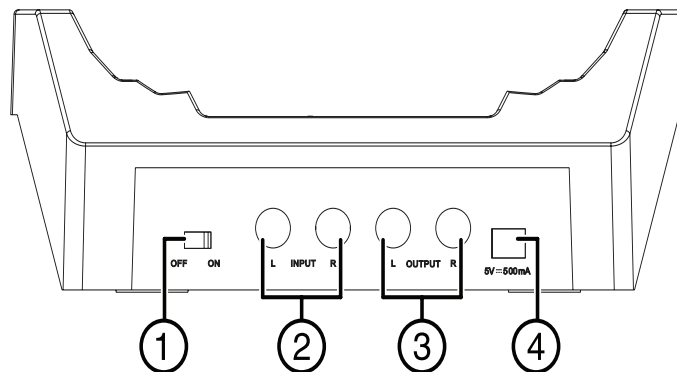
Item	Description
1	Left earpiece.
2	Battery compartment lid.
3	Power/Pairing indicator (red/blue): <ul style="list-style-type: none"> • Blue - lights steadily if the headphone and docking station are paired. • Blue - blinks rapidly if the headphone and docking station are pairing. • Red - blinks rapidly if the headphone batteries are exhausted. (The light will turn to blinking red at around 30 minutes before the batteries are dead)
4	Battery compartment latch. Use to open the battery compartment.
5	Headphone POWER switch (on left earpiece). Slide in the direction of the arrow to turn the headphones on. Slide again to turn off.
6	Right earpiece.
7	Adjustable headband.
8	Volume switch (on the right earpiece). Press + to increase the volume. Press - to decrease the volume.

Docking station top



Item	Description
1	CHARGING indicator: <ul style="list-style-type: none"> • Turns red when the headphones are charging. • Turns green when the headphones are charged. • Turns off when the headphones are removed from the docking station.
2	PAIRING indicator (blue): <ul style="list-style-type: none"> • Lights steadily if the headphones and docking station are paired. • Blinks rapidly if the headphones and docking station are pairing. • Blinks slowly if the headphones and docking station are not paired.
3	Charging pins.
4	Headphone cradle.

Docking station back



Item	Description
1	Docking station On/Off switch.
2	INPUT jacks (L and R). Connect a TV or other sound source to these jacks.
3	OUTPUT jacks (L and R). Optional. Can be used if you need to connect this device to a stereo system or other audio device.
4	DC 5V jack. Connect the AC adapter to this jack.

Setting up your system

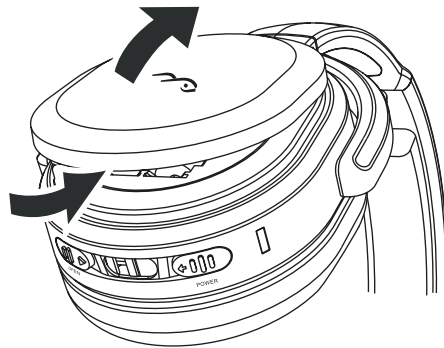
Installing or replacing headphone batteries

The headphones are powered by two AAA rechargeable batteries. Both batteries are housed in the left earpiece.

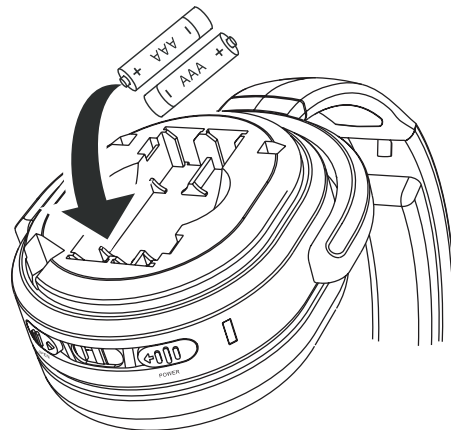
Notes: Make sure that the batteries are installed correctly.

To install batteries in the headphones:

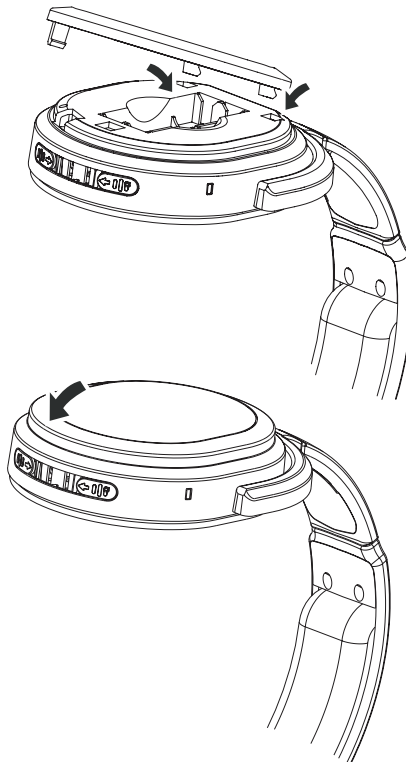
- 1 Hold the left earpiece in one hand with the battery compartment facing up, then slide the battery compartment latch to the right.
- 2 Remove the battery compartment lid.



- 3 Insert both AAA batteries into the battery compartment. Make sure to align the + and - symbols on the batteries with the symbols in the battery compartment.



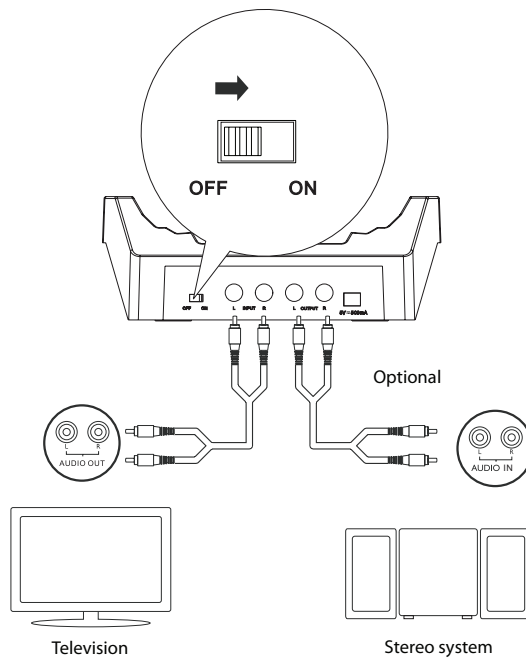
- 4 Close the battery compartment by engaging the pins in the battery compartment cover with the grooves in the top of the earpiece, then shutting the battery compartment until it clicks into place.



Connecting the headphones

Caution: To prevent damage to your system, make sure that all components are turned off before making the connections.

The following diagram shows a typical user installation. In this example the docking station is connected to the audio output of a TV and the audio input of a stereo system (optional). This optional connection is helpful if your audio source component only has one audio output and you want to connect it to both the docking station and another component, like an audio amplifier.



Note: If your audio device does not have RCA outputs, you can use the 3.5 mm-to-RCA adapter (included) to make the connections.

Your setup may differ from the example shown above.

Connecting the AC adapter to the docking station

Cautions:

To avoid risk of fire and to prevent damage, only use the AC adapter supplied with your wireless headphones. Make sure that the AC power outlet matches the AC adapter's 100-240V before making the connection.

Plug the AC adapter into the power outlet only after all other connections are completed.

To connect the AC adapter to your docking station:

- 1 Connect the AC adapter connector to the docking station's **DC 5V** jack.
- 2 Connect the AC adapter plug to an AC power outlet.
- 3 Turn the Power switch on the back of the docking station to "ON." The **PAIRING** indicator begins to blink rapidly (blue).

Using your system

Charging the headphones

Important: *Before using the wireless headphones for the first time, make sure that the batteries are fully charged for at least four hours. This will provide a longer operating lifetime for the batteries.*

To charge the headphones:

- Place the headphones onto the docking station. Make sure that the headphone charging contacts and the docking station charging pins make contact.
 - The docking station **CHARGING** indicator turns red to indicate the headphones are charging.

- When the headphones are fully charged (which takes about four hours), the docking station **CHARGING** indicator turns green.
- When the headphone battery charge is low, the **POWER/PAIRING** indicator on the headphones blinks red. The **POWER/PAIRING** indicator on the headphones turns red 30 minutes prior to the batteries being exhausted.

Note: It can take about four hours to charge the batteries. The batteries will last up to ten hours with continuous use (depending on the headphone volume level and distance from the docking station or other Rocketboost sender).

Note: The headphones cannot be charged when the docking station is turned off.

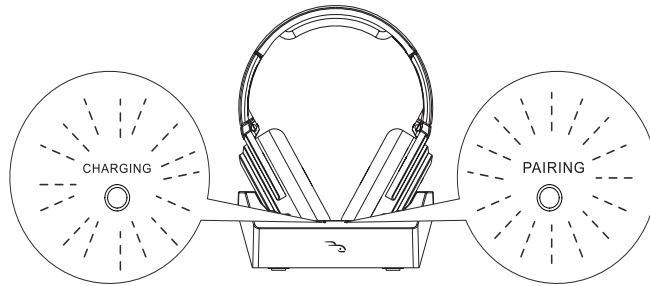
Using the headphones

Turning on the system

To turn on the system:

- 1 Slide the **ON/OFF** switch on the docking station to ON. The **PAIRING** indicator on docking station blinks rapidly (blue).
- 2 Slide the **POWER** switch on the left earpiece to turn on the headphones. The **POWER/PAIRING** indicator on headphone blinks rapidly (blue).
- 3 When the **POWER/PAIRING** indicator on headphones and **PAIRING** indicator on docking station both light steadily blue, an active link is established between headphone and docking station. The system is now on and ready to be used.

Note: Autopairing takes 5-10 seconds.

**Notes:**

If the charge on the headphone batteries is low, the **POWER/PAIRING** indicator on the headphones blinks red. When this happens, you should charge the headphones. For instructions, see "Charging the headphones" on page 13.

Tip: If the power indicators on the headphones and docking station continue to blink after 30 seconds, they are no longer paired to each other. If this happens, follow these steps:

- Make sure the headphones and docking station are within range of each other (ideally in the same room).
- Turn off the headphones and the docking station.
- Turn on both the headphones and the docking station. The lights will initially blink fast, then they should turn on steady.

Listening to your digital wireless stereo headphones

To listen through the headphones:

- 1 Turn on the headphones and docking station. Make sure that your docking station and headphones are wirelessly paired. See "Using the headphones" on page 14.
- 2 Set the headphone volume level to the minimum.

- 3 Put your headphones on your head. Adjust the fit until you feel comfortable.
- 4 Turn on your audio source and begin playback. Depending on the audio source, you may need to turn up the volume on the audio source.
- 5 Adjust the headphone volume to your normal listening level.

Caution: Continuous use at high volume may permanently damage your hearing.

Notes: If the system is connected to a TV, you may want to turn off the TV sound to prevent hearing sound from the TV speakers. Refer to your TV manual.

Turning off the system

To turn off the system:

- 1 Slide the **POWER** switch located on the headphones' left earpiece toward the arrow to turn off the headphones.
- 2 Slide the **ON/OFF** switch on the docking station to OFF to turn off the system.

Note: It's important to turn the headphones off when not in use to conserve the battery, or if you prefer you can leave them on as long as they are placed in the docking station.

Maintaining your system

Use a soft cloth dampened with a weak solution of mild detergent and water. Dry the device immediately afterwards with a clean cloth. Do not use abrasive cloth, thinners, alcohol, or other chemical solvents, because they may damage the finish or remove the panel lettering.

Troubleshooting

Check this list for a possible solution before calling for service.

Problem	Solution
My Wireless Headphones are not working at all (will not turn on using power button, no indicator lights lighting).	<ul style="list-style-type: none"> • Make sure the batteries are installed correctly and have been charged. • Try power cycling the docking station by unplugging it and plugging it back in. • Try another power outlet.
My Wireless headphones are not charging.	<ul style="list-style-type: none"> • Make sure that the headphone charging contacts and the docking station charging pins make contact. You might have to rock them back and forth to make a good connection. The docking station CHARGING indicator turns red to indicate the headphones are charging.
No sound	<ul style="list-style-type: none"> • Check the volume level of the headphones or audio sources connected to the docking station. • Make sure that all of the cables are connected correctly. • Make sure that the POWER/PAIRING indicators of the headphones and PAIRING indicator on the docking station are lit solidly. If the indicators are blinking blue, see "Using the headphones" on page 14. • Check if the audio source has internal/external speaker settings that allow the internal speakers to be turned off and for the sound to be heard from the external source (your headphones). If this is the case be sure your audio source is not set to Mute. • To maximize your volume level through the system, make sure that your audio source (for example, a TV or MP3 player) has its volume turned up to at least 50% of their volume level.
Sound interference	<ul style="list-style-type: none"> • Move the docking station slowly to find the best reception position for your headphones. • Shorten the distance between your headphones and the docking station. The maximum distance is 60 feet (20 m), but walls and other obstructions will limit this distance. • Make sure that all of the cables are connected correctly. • It is possible that other devices like cordless phones, microwaves, or wireless routers may be causing interference. Try turning one device off at a time to determine which device is causing interference. • If your cordless phone or wireless router is causing interference, try changing the channel it is using. Refer to your device's owner manual.

Problem	Solution
No communication between the headphones and docking station	<ul style="list-style-type: none"> • Make sure that the AC adapter is connected to the docking station. • Make sure that the docking station is turned on. • Make sure that the headphone batteries are installed correctly. • Make sure the headphone batteries are charged. • Make sure that the POWER/PAIRING indicator on the headphones and PAIRING indicator on the docking station are on. • If they are lit solidly, a communication link has been successfully established between the system. • If they are blinking on one or both devices, see "Using the headphones" on page 14.
There is sound coming from the audio source	<ul style="list-style-type: none"> • Turn off the internal speakers of your audio sound source. Contact the manufacturer of the audio sound source, such as your TV, for support.

Specifications

Battery life	Up to 10 hours
Wireless type	2.4 GHz band
Wireless range	60 feet (20 m) maximum, line-of-sight

Legal notices

FCC and IC Information:

This device complies with Part 15 of the FCC Rules. Operation is subject to the following two conditions: (1) This device may not cause harmful interference, and (2) this device must accept any interference received, including interference that may cause undesired operation.

This device complies with Industry Canada licence-exempt RSS standard(s). Operation is subject to the following two conditions: (1) this device may not cause interference, and (2) this device must accept any interference, including interference that may cause undesired operation of the device.

This equipment has been tested and found to comply with the limits for a Class B digital device, pursuant to Part 15 of the FCC Rules. These limits are designed to provide reasonable protection against harmful interference in a residential installation. This equipment generates, uses and can radiate radio frequency energy and, if not installed and used in accordance with the instructions, may cause harmful interference to radio communications. However, there is no guarantee that interference will not occur in a particular installation. If this equipment does cause

harmful interference to radio or television reception, which can be determined by turning the equipment off and on, the user is encouraged to try to correct the interference by one or more of the following measures:

- Reorient or relocate the receiving antenna.
- Increase the separation between the equipment and receiver.
- Connect the equipment into an outlet on a circuit different from that to which the receiver is connected.
- Consult the dealer or an experienced radio/TV technician for help.

Warning: Changes or modifications not expressly approved by the party responsible for compliance could void the user's authority to operate the equipment.

This equipment complies with Industry Canada radiation exposure limits set forth for an uncontrolled environment.

Information for Users on Disposal of Old Equipment

European Union

Note: This symbol is only valid in the European Union.



This symbol indicates that the electrical and electronic equipment should not be disposed as general household waste at its end-of-life. Instead, the product should be handed over to the applicable collection point for the recycling in accordance with your national legislation.

By disposing of this product correctly, you will help to conserve natural resources and will help prevent potential negative effects on the environment and human health that could otherwise be caused by inappropriate waste handling of this product. For more information about collection point and recycling of this product, please contact your local municipal office, your household waste disposal service or the shop where you purchased the product. Penalties may be applicable for incorrect disposal of this waste, in accordance with national legislation.

Other Countries Outside the European Union

If you wish to dispose of this product, please do so in accordance with applicable national legislation or other rules in your country for the treatment of old electrical and electronic equipment.



One-year limited warranty

Rocketfish Products ("Rocketfish") warrants to you, the original purchaser of this new **RF-WHP212** ("Product"), that the Product shall be free of defects in the original manufacture of the material or workmanship for one (1) year from the purchase of the Product ("Warranty Period"). This Product must be purchased from an authorized dealer of Rocketfish brand products and packaged with this warranty statement. This warranty does not cover refurbished Product. If you notify Rocketfish during the Warranty Period of a defect covered by this warranty that requires service, terms of this warranty apply.

How long does the coverage last?

The Warranty Period lasts for one year (365 days), beginning on the date you purchased the Product. The purchase date is printed on the receipt you received with the product.

What does this warranty cover?

During the Warranty Period, if the original manufacture of the material or workmanship of the Product is determined to be defective by an authorized Rocketfish repair center or store personnel, Rocketfish will (at its sole option): (1) repair the Product with new or rebuilt parts; or (2) replace the Product at no charge with new or rebuilt comparable products or parts. Products and parts replaced under this warranty become the property of Rocketfish and are not returned to you. If service of Products and parts are required after the Warranty Period expires, you must pay all labor and parts charges. This warranty lasts as long as you own your Rocketfish Product during the Warranty Period. Warranty coverage terminates if you sell or otherwise transfer the Product.

How to obtain warranty service?

If you purchased the Product at a retail store location, take your original receipt and the Product to the store you purchased it from. Make sure that you place the Product in its original packaging or packaging that provides the same amount of protection as the original packaging. If you purchased the Product from an online web site, mail your original receipt and the Product to the address listed on the web site. Make sure that you put the Product in its original packaging or packaging that provides the same amount of protection as the original packaging.

Where is the warranty valid?

This warranty is valid only to the original purchaser of the Product in the United States, Canada, and Mexico.

What does the warranty not cover?

This warranty does not cover:

- Customer instruction
- Installation
- Set up adjustments
- Cosmetic damage
- Damage due to acts of God, such as lightning strikes
- Accident
- Misuse
- Abuse
- Negligence
- Commercial use
- Modification of any part of the Product, including the antenna

This warranty also does not cover:

- Damage due to incorrect operation or maintenance
- Connection to an incorrect voltage supply
- Attempted repair by anyone other than a facility authorized by Rocketfish to service the Product
- Products sold as is or with all faults
- Consumables, such as fuses or batteries
- Products where the factory applied serial number has been altered or removed

REPAIR REPLACEMENT AS PROVIDED UNDER THIS WARRANTY IS YOUR EXCLUSIVE REMEDY. ROCKETFISH SHALL NOT BE LIABLE FOR ANY INCIDENTAL OR CONSEQUENTIAL DAMAGES FOR THE BREACH OF ANY EXPRESS OR IMPLIED WARRANTY ON THIS PRODUCT, INCLUDING, BUT NOT LIMITED TO, LOST DATA, LOSS OF USE OF YOUR PRODUCT, LOST BUSINESS OR LOST PROFITS. ROCKETFISH PRODUCTS MAKES NO OTHER EXPRESS WARRANTIES WITH RESPECT TO THE PRODUCT, ALL EXPRESS AND IMPLIED WARRANTIES FOR THE PRODUCT, INCLUDING, BUT NOT LIMITED TO, ANY IMPLIED WARRANTIES OF AND CONDITIONS OF MERCHANTABILITY AND FITNESS FOR A PARTICULAR PURPOSE, ARE LIMITED IN DURATION TO THE WARRANTY PERIOD SET FORTH ABOVE AND NO WARRANTIES, WHETHER EXPRESS OR IMPLIED, WILL APPLY AFTER THE WARRANTY PERIOD. SOME STATES, PROVINCES AND JURISDICTIONS DO NOT ALLOW LIMITATIONS ON HOW LONG AN IMPLIED WARRANTY LASTS, SO THE ABOVE LIMITATION MAY NOT APPLY TO YOU. THIS WARRANTY GIVES YOU SPECIFIC LEGAL RIGHTS, AND YOU MAY ALSO HAVE OTHER RIGHTS, WHICH VARY FROM STATE TO STATE OR PROVINCE TO PROVINCE.

Contact Rocketfish:

For customer service please call 1-800-620-2790
www.rocketfishproducts.com

Distributed by Best Buy Purchasing, LLC
7601 Penn Avenue South, Richfield, Minnesota, U.S.A. 55423-3645
© 2012 BBY Solutions, Inc.
All rights reserved. ROCKETFISH is a trademark of BBY Solutions, Inc. Registered in
some countries. All other products and brand names are trademarks of their
respective owners.



www.rocketfishproducts.com (800) 620-2790
Distributed by Best Buy Purchasing, LLC
7601 Penn Avenue South, Richfield, MN 55423-3645 USA
© 2012 BBY Solutions, Inc.

All rights reserved. ROCKETFISH is a trademark of BBY Solutions, Inc.
All other products and brand names are trademarks of their respective owners.

12-0593
ENGLISH