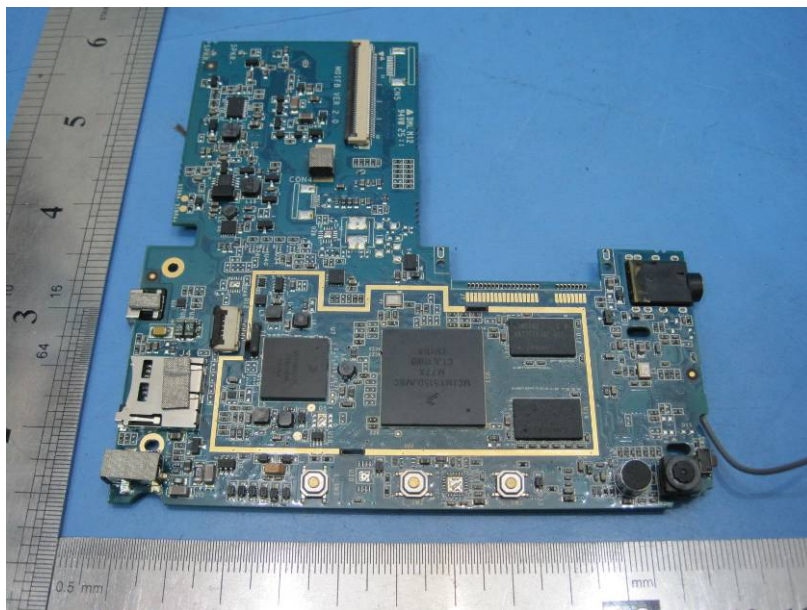


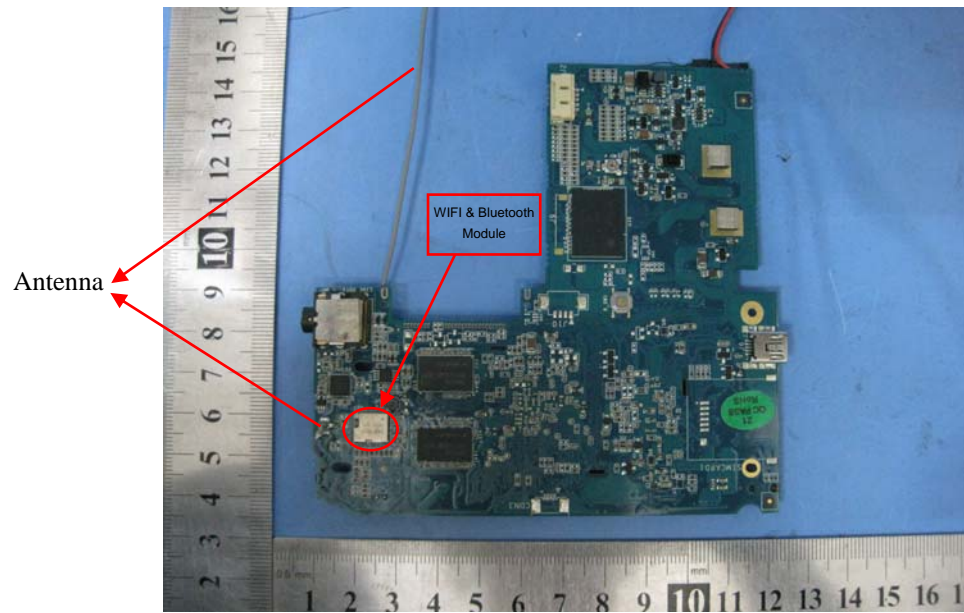
2.1 EUT - Open View



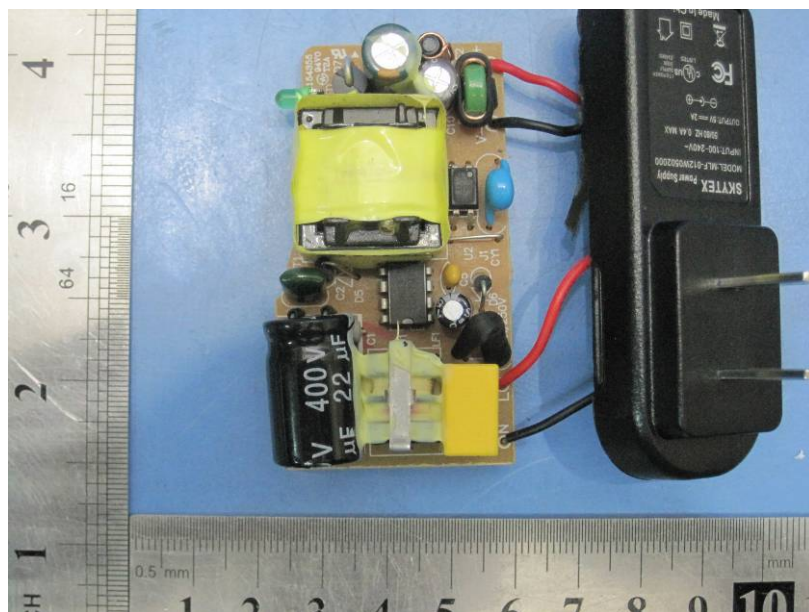
2.2 PCB - Front View



2.3 PCB - Back View



2.4 PCB of Adapter - Front View



2.5 PCB of Adapter - Back View

