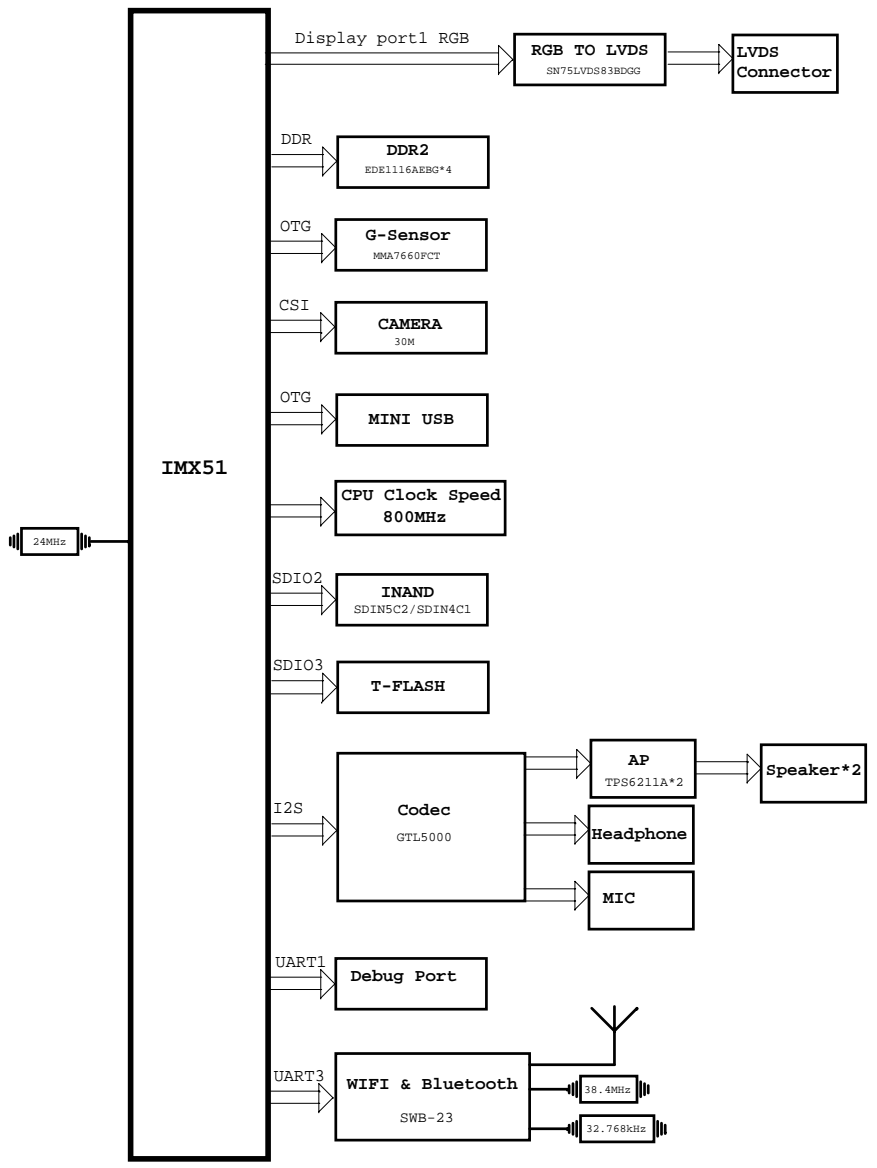


System Block



| | | | |
|---|--------------|---------------|--|
| GAEA Electronics | | <OrigAddr1> | |
| Page Name | | <Title> | |
| Size | Project Name | Rev | |
| A2 | M03F | 1.0 | |
| Date: Monday, September 05, 2011 | | Sheet: 2 of 2 | |
| <small>PROPERTY NOTE: this document contains information confidential and property to GAEA and shall not be reproduced or transferred to other documents or disclosed to others or used for any purpose other than that for which it was obtained with the expressed written consent of GAEA.</small> | | | |

Block Diagram - RF Module

