

User Guidance for MTA801

Product name: Multimedia vehicle central controller

Model Name: MTA801

Manufacturer: Huizhou BYD Electronic Co., Ltd.

FCC ID: ZW9MTA801

1. Product Introduction

This product is a Multimedia vehicle central controller that uses the Android 9 operating system, with pre-installed applications such as Bluetooth phone, Bluetooth music, etc., to support car audio and video entertainment functions. At the same time, the Multimedia vehicle central controller has functions such as adjusting the air conditioning settings in the vehicle, viewing vehicle energy consumption information, and viewing vehicle health information.

The power supply voltage of the Multimedia vehicle central controller supports 9V-16V and the rated voltage is 12V.

2. Function

Multimedia Center

- Music player
- Video player

System control

- Air conditioning control
- Screen brightness control
- Volume control

Connection

- WIFI 2.4G 802.11 b/g/n
- Bluetooth

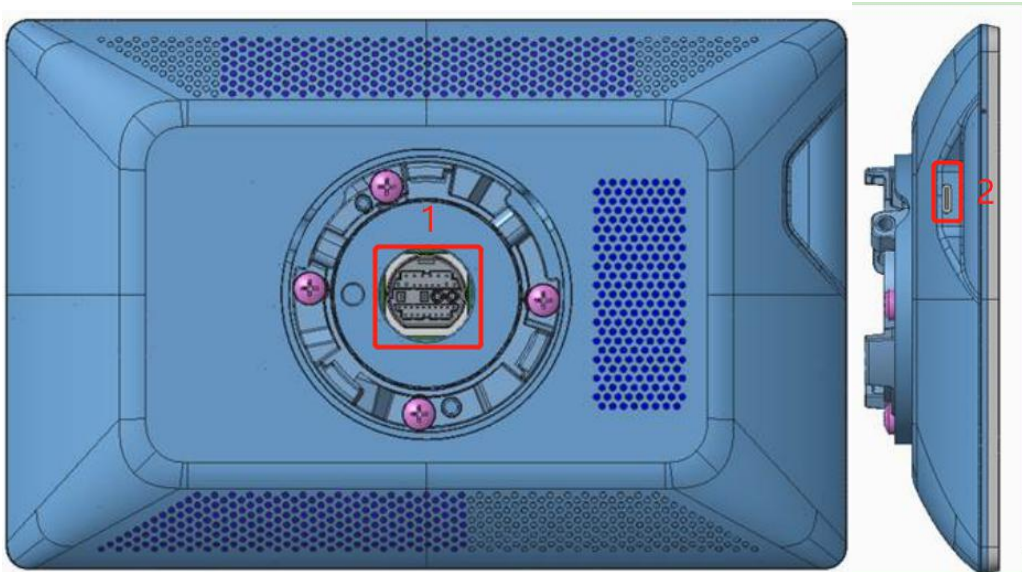
GNSS

- GPS/Glonass/Galileo/BDS

Others

- Bluetooth Phone
- Bluetooth Music
- Album
- FM

3. Connector

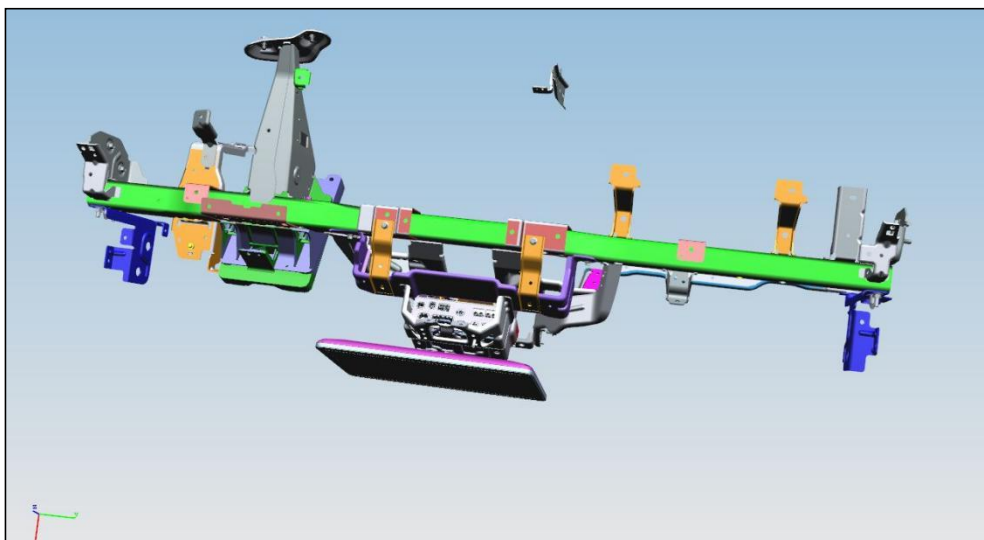


The picture 1 is the main connector of the Multimedia vehicle central controller, including the power supply for the system.

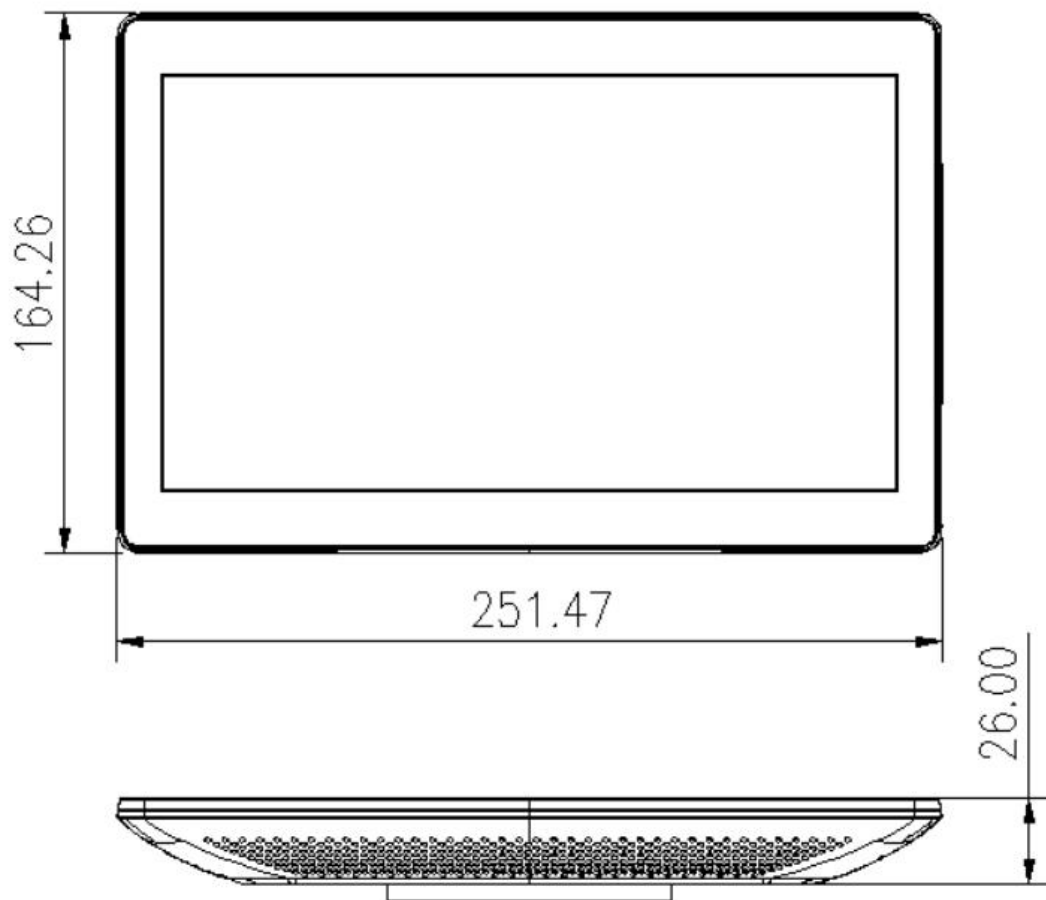
The picture 2 is the USB Type C connector supporting file transfer by U disk.

4. Installation in the Car

Installation location



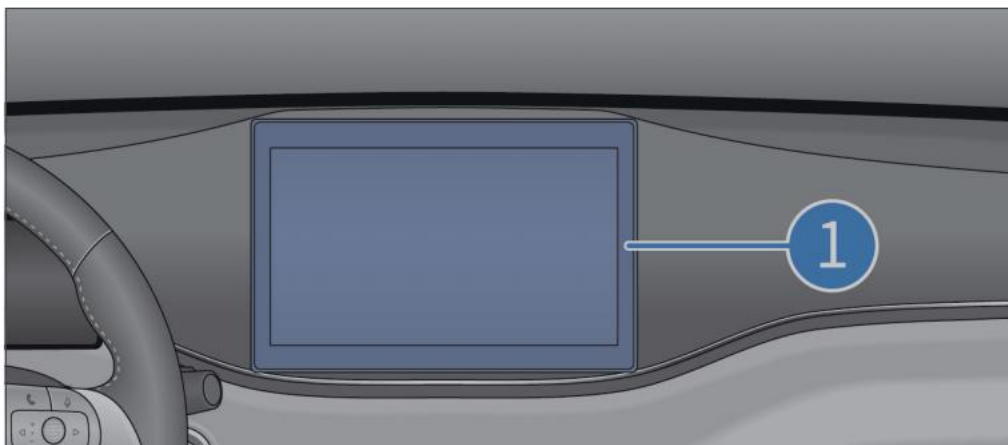
5. Space size requirements



6. User Guidance

- Multimedia Control Panel

When the power supply is in the "OK" position, the initial screen will be displayed for a few seconds, and the system will start working.



① Multimedia touch screen


- **Warning:**

- Do not use high-power inverters in the vehicle, as this may cause abnormalities in the multimedia system.
- It is strictly prohibited to brush or root the machine without permission, otherwise it may cause multimedia or vehicle damage.
- For your driving safety, it is recommended to use the multimedia system horizontally during the driving process.


- **Attention:**

- To prevent damage to the touch screen
 - ✓ Gently touch the screen with your hand. If there is no response, remove your finger from the screen and touch again.
 - ✓ Do not use detergent when wiping the screen with a soft cloth.
- Using the touch screen
 - ✓ When the display temperature is low, the displayed image may be darker, or the system may operate slightly slower than normal.
 - ✓ Wearing sunglasses may make the screen darker or difficult to see clearly. Please change the angle of viewing the screen or remove your sunglasses.
 - ✓ The touch screen buttons in a gray state are not operable.
- **The touch screen display interface is for reference only, and the specific information is subject to the actual vehicle.**
- **When multimedia malfunctions, please contact BYD authorized service stores for assistance in handling.**

- **Navigation bar**

 : Return to the previous page or exit the program.

 : Click the homepage button to return to the homepage.

 : Click on the multitasking button to view the recently opened applications.

 : Click on the off screen button to enter the screen saver state.

- **Gestures and responses**

The gesture operation and response are as follows:

- Click: If you want to open an application, select a function, press a button on the screen, or use screen keys to input characters, just click with your finger.

- Drag: To move an icon, thumbnail, or preview to a new location, press and hold it down, drag it to the target location, and then release it.
- Sliding: This operation can be performed on the main page or application interface.
- Double click: Double click to enlarge the image, full screen the image, and double click again to return.
- Split/Close: By separating two fingers on an image, a certain part can be enlarged and closed to reduce size.
- Screen top slide: opens the convenience menu.

● Bluetooth phone

➤ Bluetooth connection

1. Enter the Bluetooth phone interface and click the "Please connect bluetooth" button to make a jump connection;
2. Click on "Search for Devices" to start searching for available devices;
3. Select an available device to initiate pairing and confirm that the pairing code for the mobile and car terminals is consistent;
4. After successful connection, various commonly used settings can be made for Bluetooth.

➤ Bluetooth phone

1. After the Bluetooth connection is successful, enter the dialing page.
2. You can click on the contact person, recent and missed call records, make a call, or enter a phone number on the numeric keypad to make a call;
3. Slide up the call card/click on the blank space to narrow down the dialing interface;
4. Click on the virtual keyboard to display the dialing keyboard, then click on the hidden keyboard again;
5. When the video interface calls, it will notify the driver in the form of a small window.

7. Regulation information:

USA—FCC COMPLIANCE STATEMENT:

This device complies with part 15 of the FCC Rules. Operation is subject to the following two conditions: (1) This device may not cause harmful interference, and (2) this device must accept any interference received, including interference that may cause undesired operation.

To comply with RF exposure compliance requirements, for mobile configurations, a separation distance of at least 20cm must be maintained between the antenna of this device and all persons

NOTE: This equipment has been tested and found to comply with the limits for a Class B digital device, pursuant to part 15 of the FCC Rules.

These limits are designed to provide reasonable protection against harmful interference in a residential installation.

This equipment generates uses and can radiate radio frequency energy and, if not installed and used in accordance with the instructions, may cause harmful interference to radio communications. However, there is no guarantee that interference will not occur in a particular installation. If this equipment does cause harmful interference to radio or television reception, which can be determined by turning the equipment off and on, the user is encouraged to try to correct the interference by one or more of the following measures:

- Reorient or relocate the receiving antenna.
- Increase the separation between the equipment and receiver.
- Connect the equipment into an outlet on a circuit different from that to which the receiver is connected.
- Consult the dealer or an experienced radio/TV technician for help
- This device and its antenna(s) must not be co-located or operating in conjunction with any other antenna or transmitter.

This equipment complies with FCC radiation exposure limits set forth for an uncontrolled environment.

This equipment should be installed and operated with minimum distance of 20 cm between the radiator and your body

The User Manual must feature the following mandatory statement:

Para su uso en México, la operación de este equipo está sujeta a las siguientes dos condiciones: (1) es posible que este equipo o dispositivo no cause interferencia perjudicial y (2) este equipo o dispositivo debe aceptar cualquier interferencia, incluyendo la que pueda causar su operación no deseada.

Translation:

For use in Mexico, the operation of this equipment is subject to these two conditions: (1) this equipment or device does not cause harmful interference, and (2) this equipment must accept any interference, including any that may cause its malfunction.

Brazil

Interference statement to be included in the Users Guide

Este equipamento opera em caráter secundário, isto é, não tem direito a proteção contra interferência prejudicial, mesmo de estações do mesmo tipo, e não pode causar interferência a sistema operando em caráter primário. (Note The above statement followed by the ANATEL logo with the Homologation Number and the Resolution 506 Statement)

Translation:

This equipment operates in a secondary capacity, that is, it does not have any right of protection against harmful interference, even from same type of equipment and cannot cause any interference for systems operating in a primary capacity. (Note The above statement followed by the ANATEL logo with the Homologation Number and the Resolution 506 Statement)

This user manual that changes or modifications not expressly approved by the party responsible for compliance could void the user's authority to operate the equipment