

TOSHIBA
Leading Innovation >>>

User Information Guide
TOSHIBA WT10PE-C



Accessing the online User's Manual

A comprehensive online user's manual is preinstalled on your tablet equipping with a Windows® operating system. You can access by the following way:

- Click **Start -> All apps -> TOSHIBA -> User's Manual.**

Refer to the online user's manual for detailed information and instruction concerning each item in this manual.

Safety icons

Safety icons are used in this guide to bring important information to your attention. Each type of icon and its implication are identified as shown below.



Indicates a potentially hazardous situation, which could result in death or serious injury, if you do not follow instructions.



Pay attention! A caution informs you that improper use of equipment or failure to follow instructions may cause data loss or damage your equipment.



Please read. A note is a hint or advice that helps you make best use of your equipment.

Unpack the box

1. Remove the components and tablet from the box. Save the packing materials in case you need them later.
2. Remove the documentation package for important information.



All product specifications, configurations, prices, system/component/options availability are all subject to change without notice.

Check the components

Your tablet comes with:

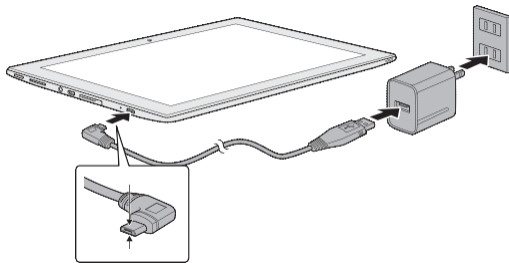
- AC adaptor (2-pin or 3-pin)
- Micro-USB cable
- Stylus pen (provided with some models)
- Several documents, including Instruction Manual for Safety and Comfort.
- It may also ship with documentation for other software that may be pre-installed on your tablet. Some software may differ from its retail version (if available), and may not include user manuals or all program functionality.

If any of the items are missing or damaged, contact your dealer immediately.

Charging your tablet

Your tablet contains a rechargeable battery that may need to be charged prior to use.

1. Plug the USB connector of the Micro-USB cable into the AC adaptor and the other smaller connector into the Micro-USB port on your tablet.



Depending on the model, either a 2-pin or 3-pin AC adaptor will be bundled with the tablet.

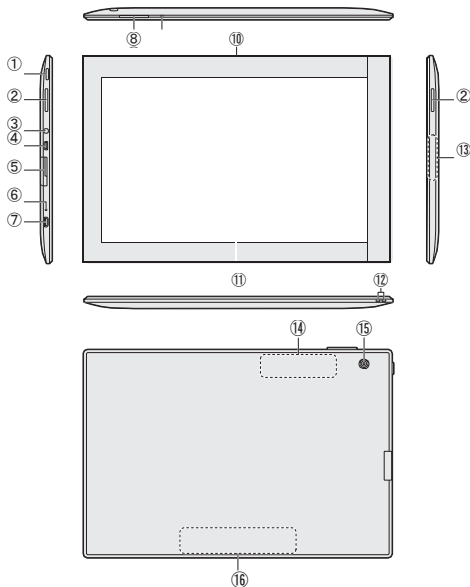


The Micro-USB connector of the Micro-USB cable must be correctly plugged into the Micro-USB port on the tablet. Failure to do so correctly may result in possible damage to the Micro-USB port.

2. Plug the AC adaptor into a wall outlet.

Quick tour

The following figure shows each important part of your tablet.

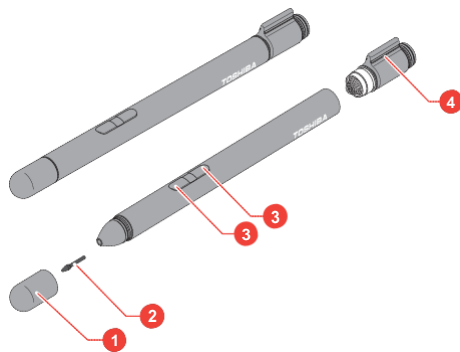


1. Power button
2. Speakers
3. Headphone/Microphone combo jack
4. Micro HDMI port
5. Memory media slot
6. Battery indicator
7. Micro-USB port
8. Volume up/down button
9. Microphone
10. Web Camera (front)
11. Display screen
12. Strap hol
13. Model number
14. Wireless communication antennas (not shown)
15. Web Camera (back)
16. Serial number

Product appearance depends on the model you purchased.

Pen

Stylus Pen



1. Pen cap
2. Pen point
3. Pen button
4. Pen clip


Product appearance depends on the model you purchased.

Getting to know Windows

For detailed information on what is new and how to operate Windows, refer to **Get Started** in the Start menu.

Start menu

The Start menu is the launching pad for everything you can do in the Windows operating system, providing easy ways to access your apps, programs, websites and other important information.

You can access the Start menu by tapping  icon in the upper-left corner on the Main screen.

Most used allows quick access to your frequently used apps, and your recently installed apps are highlighted under **Recently added**.


You can pin your favorite apps to the Start menu as tiles in grid-like pattern, and also group them. Typical tiles are the **People** tile and the **Mail** tile for instance. Tiles show you dynamic information from apps without having to open them.

Windows taskbar



By default, the bottom of the screen is Windows taskbar. You can see all of your currently running apps on the Windows taskbar

Power Options icon

The Main screen provides you a convenient way to enter the Shut Down/Sleep modes or Restart your tablet.

You can tap the power icon () on the lower left of the Main screen and then select the option you want.

Task View

Task view () is launched from Windows taskbar at the bottom of the screen. You can view the apps that are currently running by tapping the Task view () icon.

Search

Search on the Windows taskbar allows you to find apps, files, settings, and more on the computer. When Internet connection is available, it also shows you the best search result from the Internet. The personal assistant called **Cortana** might be available depending on your country/region. You can ask questions or talk to Cortana in natural voice, and Cortana answers your questions using information from the Internet. To use Cortana, an internal or external microphone is required.

Action center


You can review important notifications from apps or Windows in action center, and take action without having to open apps. It also provides quick action buttons to access to most-used settings instantly.

Select the action center icon () on the Windows taskbar to view your notifications and quick actions.

Settings

Settings provides system settings including advanced settings in the Control Panel. They are divided in categories so that you can configure, optimize, or personalize Windows.

You can also type in the keyword, use **Search** to find any setting.

To open Settings, tap the  icon on the Main screen and select **Settings** ().




You can pin it to the Start menu as a tile by pressing and holding on **Settings** and selecting **Pin to Start**.

Windows Store

Although many applications are pre-installed in your tablet, you can also download many others from the Windows Store.

You can search for and browse thousands of apps, all grouped into easy-to-find categories there.

Sign-in options

Windows offers a number of sign-in options including **Password** (), **PIN** () and **Picture password** () authentication to prevent from unauthorized access. If you have multiple sign-in methods set for a user account, you can select an option on the Windows login screen by tapping sign-in options. Password authentication is the default sign-in option.

Turning on/off

To turn on the tablet, press and hold the **Power** button for several seconds. When your tablet is on, press the **Power** button to put it into sleep mode or wake it up.

To turn off the tablet, you can use either of the following way:

- Tap the Power () icon on the Main screen and then select Shut down.



The tablet can not be powered on by pressing the power button if the battery power is completely exhausted. It is recommended to charge the battery pack by connecting the AC adaptor for 30 minutes before turning on the power.

Creating Recovery Media


It is strongly recommended that you create recovery media before using your tablet for the first time. This will enable you to return your system to its out-of-box state.

A recovery image of the software on your tablet is stored on the internal storage, and can be copied to a USB Flash Memory by using the following steps:

1. Turn on your tablet and allow it to load the Windows operating system as normal.
2. Insert the USB Flash Memory into Micro-USB port on your tablet by using the "Micro USB to USB Converter Cable".
3. Tap **Control Panel -> System and Security -> Security and Maintenance -> Recovery -> Create a recovery drive** under **Windows System** group in **All apps**.
4. Follow the on-screen instructions to finish creating the Recovery Media.

Restoring the pre-installed software from the Internal Storage

A portion of the total internal storage space is used to store the recovery image which can be used to restore pre-installed software in the event of a problem.

1. Tap the Power () icon on the Main screen and then select Shut down.
2. After completely shut down the tablet, wait for about 10 seconds. Then hold down the **Power** button and **Volume up** button simultaneously until the Boot menu is loaded and then select **HDD Recovery**.
3. Select **Troubleshoot**.
4. Select **Reset your PC**.
5. Follow the on screen instructions to finish the recovery.

You can also perform the restoration through PC settings in the operating system:

1. Go to **Settings** and tap **Update & Security -> Recovery**.
2. Tap **Get started** under **Reset this PC**.
3. Follow the on screen instructions to finish the recovery.

Please refer to the online user's manual for detailed information.Magnets location

Copyright

© 2015 by TOSHIBA Corporation. All rights reserved. Under the copyright laws, this manual cannot be reproduced in any form without the prior written permission of TOSHIBA. No patent liability is assumed, with respect to the use of the information contained herein.

First edition December 2015

Disclaimer

This manual has been validated and reviewed for accuracy. The instructions and descriptions it contains are accurate for your tablet at the time of this manual's production. However, succeeding tablets and manuals are subject to change without notice. TOSHIBA assumes no liability for damages incurred directly or indirectly from errors, omissions or discrepancies between the tablet and the manual.

Trademarks

Windows, Microsoft and Windows logo are registered trademarks of Microsoft Corporation.

The terms HDMI and HDMI High-Definition Multimedia Interface, and the HDMI Logo are trademarks or registered trademarks of HDMI Licensing LLC in the United States and other countries.

The Bluetooth® word mark and logos are registered trademarks owned by Bluetooth SIG, Inc. and any use of such marks by Toshiba Corporation and its affiliates is under license.

All other product names and service names in this manual may be trademarks or registered trademarks of their respective companies.

EU Declaration of Conformity



This product is carrying the CE-Mark in accordance with the related European Directives. Responsible for CE-Marking is TOSHIBA EUROPE GMBH, Hammfelddamm 8, 41460 Neuss, Germany. The complete and official EU Declaration of Conformity can be found on TOSHIBA's web site <http://epps.toshiba-teg.com> on the Internet.

Disposing of the Tablet and the Tablet's Battery

Contact an authorized TOSHIBA service provider for details regarding how to dispose of the tablet and the battery.



CAUTION: RISK OF EXPLOSION IF BATTERY IS REPLACED BY AN INCORRECT TYPE. DISPOSE OF USED BATTERIES ACCORDING TO THE INSTRUCTIONS.

ENERGY STAR

User Information Requirements

1. Products shall be shipped with informational materials to notify customers of the following:
 - A description of power management settings that have been enabled by default,
 - A description of the timing settings for various power management features, and
 - Instructions for properly waking the product from Sleep Mode.
2. Products shall be shipped with one or more of the following:
 - A list of default power management settings.

- A note stating that default power management settings have been selected for compliance with ENERGY STAR (within 15 min of user inactivity for the display, within 30 min for the computer, if applicable per Table 2), and are recommended by the ENERGY STAR program for optimal energy savings.
 - Information about ENERGY STAR and the benefits of power management, to be located at or near the beginning of the hard copy or electronic user manual, or in a package or box insert.
3. Provisions 1 and 2 may be met through use of either electronic or printed product documentation, provided it adheres to all of the following:
- Documentation is shipped with the product (e.g., in a printed manual or insert, on included optical media, in a file installed with the software load shipped to the customer) or available electronically on the manufacturer's website. In the latter case, instructions for accessing the information on the website shall be provided in the product package or on the Desktop or home screen; and
 - Documentation is included either (a) only with ENERGY STAR certified Computers; or (b) as part of the standard documentation if and only if accompanied by EPA-approved customer guidance on how to identify if their computer configuration is ENERGY STAR certified.

Information for Wireless Devices

Wireless devices and your health

Wireless products, like other radio devices, emit radio frequency electromagnetic energy. The level of energy emitted by Wireless products however is far much less than the electromagnetic energy emitted by wireless devices like for example mobile phones.

Because Wireless products operate within the guidelines found in radio frequency safety standards and recommendations, TOSHIBA believes Wireless products is safe for use by consumers. These standards and recommendations reflect the consensus of the scientific community and result from deliberations of panels and committees of scientists who continually review and interpret the extensive research literature.

In some situations or environments, the use of Wireless products may be restricted by the proprietor of the building or responsible representatives of the organization. These situations may for example include:

- Using the Wireless products equipment on board of airplanes, or
- In any other environment where the risk of interference to other devices or services is perceived or identified as harmful.

If you are uncertain of the policy that applies on the use of wireless devices in a specific organization or environment (e.g. airports), you are encouraged to ask for authorization to use the Wireless device prior to turning on the equipment.

Canada - Industry Canada (IC)

This device complies with RSS 210 of Industry Canada.

Operation is subject to the following two conditions: (1) this device may not cause interference, and (2) this device must accept any interference, including interference that may cause undesired operation of this device.

The term “IC” before the equipment certification number only signifies that the Industry Canada technical specifications were met.

USA-Federal Communications Commission (FCC)

This equipment has been tested and found to comply with the limits for a Class B digital device, pursuant to Part 15 of FCC Rules. These limits are designed to provide reasonable protection against harmful interference in a residential installation.

1. Changes or modifications not expressly approved by the party responsible for compliance could void the user's authority to operate the equipment
2. NOTE: This equipment has been tested and found to comply with the limits for a Class B digital device, pursuant to Part 15 of the FCC Rules. These limits are designed to provide reasonable protection against harmful interference in a residential installation. This equipment generates, uses and can radiate radio frequency energy and, if not installed and used in accordance with the instructions, may cause harmful interference to radio communications. However, there is no guarantee that interference will not occur in a particular installation. If this equipment does cause harmful interference to radio or television reception, which can be determined by turning the equipment off and on, the user is encouraged to try to correct the interference by one or more of the following measures:
 - Reorient or relocate the receiving antenna.
 - Increase the separation between the equipment and receiver.
 - Connect the equipment into an outlet on a circuit different from that to which the receiver is connected.

- Consult the dealer or an experienced radio/TV technician for help.
- 3. This equipment complies with FCC radiation exposure limits set forth for an uncontrolled environment. End users must follow the specific operating instructions for satisfying RF exposure compliance. This transmitter must not be co-located or operating in conjunction with any other antenna or transmitter. This equipment has been SAR-evaluated for use in hand. SAR measurements are based on a 5mm spacing from the body and that compliance is achieved at that distance.
- 4. This device complies with Industry Canada licence-exempt RSS standard(s). Operation is subject to the following two conditions: (1) this device may not cause interference, and (2) this device must accept any interference, including interference that may cause undesired operation of the device

Le présent appareil est conforme aux CNR d'Industrie Canada applicables aux appareils radio exempts de licence. L'exploitation est autorisée aux deux conditions suivantes : (1) l'appareil ne doit pas produire de brouillage, et (2) l'utilisateur de l'appareil doit accepter tout brouillage radioélectrique subi, même si le brouillage est susceptible d'en compromettre le fonctionnement.

- 5. Complies with the Canadian ICES-003 Class B specifications. Cet appareil numérique de la classe B est conforme à la norme NMB-003 du Canada.
- 6. The user manual for LE-LAN devices shall contain instructions related to the restrictions mentioned in the above sections, namely that:
 - The device for operation in the band 5150-5250 MHz is only for indoor use to reduce the potential for harmful interference to co-channel mobile satellite systems;
 - for devices with detachable antenna(s), the maximum antenna gain permitted for devices in the bands 5250-5350 MHz and 5470-5725 MHz shall be such that the equipments still complies with the e.i.r.p. limit;

- for devices with detachable antenna(s), the maximum antenna gain permitted for devices in the band 5725-5850 MHz shall be such that the equipment still complies with the e.i.r.p. limits specified for point-to-point operation as appropriate; and
- the worst-case tilt angle(s) necessary to remain compliant with e.i.r.p. elevation mask requirement set forth in Section 6.2.2(3) shall be clearly indicated.
- This equipment complies with FCC radiation exposure limits set forth for an uncontrolled environment. End users must follow the specific operating instructions for satisfying RF exposure compliance. This transmitter must not be co-located or operating in conjunction with any other antenna or transmitter. This equipment has been SAR-evaluated for use in hand. SAR measurements are based on a 0mm spacing from the body and comply with the limit 1.6W/Kg at that distance.

Setting sound volume



To prevent possible hearing damage, do not listen at high volume levels for long periods.



TOSHIBA Support

If you require any additional help using your tablet or if you are having problems operating the tablet, you may need to contact TOSHIBA for additional technical assistance.

Before you call

Some problems you experience may be related to software or the operating system so it is important that you investigate other sources of assistance first. Before contacting TOSHIBA, try the following:

- Review troubleshooting sections in the documentation supplied with your software and/or peripheral devices.
- If a problem occurs when you are running software applications, consult the software documentation for troubleshooting suggestions and consider calling the software company's technical support department for assistance.
- Consult the reseller or dealer from where you purchased your tablet and/or software - they are your best resource for current information and support.

TOSHIBA technical support

If you are still unable to solve the problem and suspect that it is hardware related, visit TOSHIBA technical support website <http://www.toshiba.co.jp/worldwide/>.

