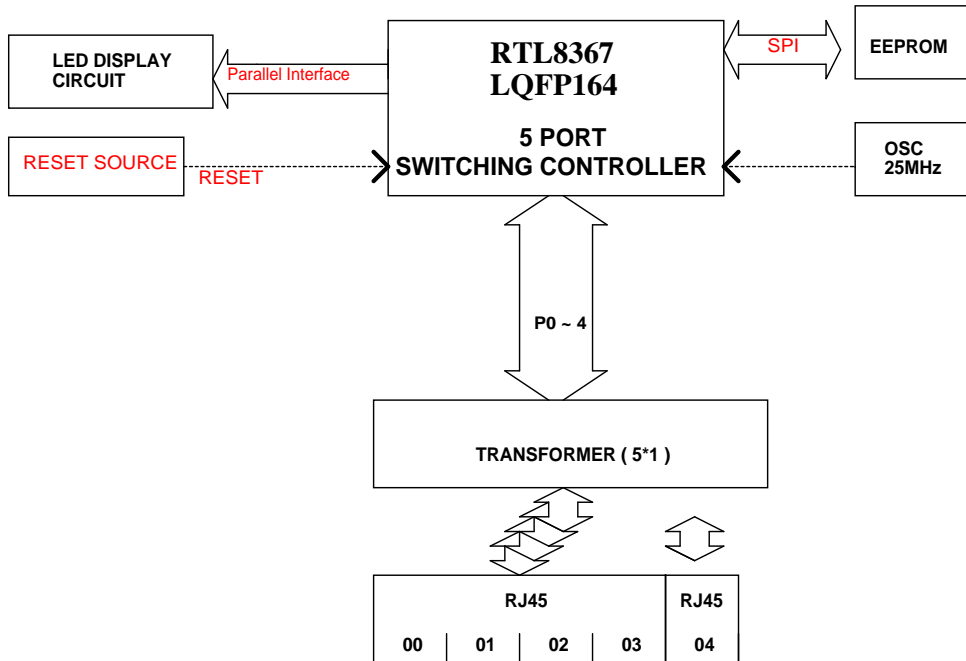


BLOCK DIAGRAM



INTERNAL POWER SUPPLY:
5V DC
POWER MODULE:
3.3V AND 1.0V

