

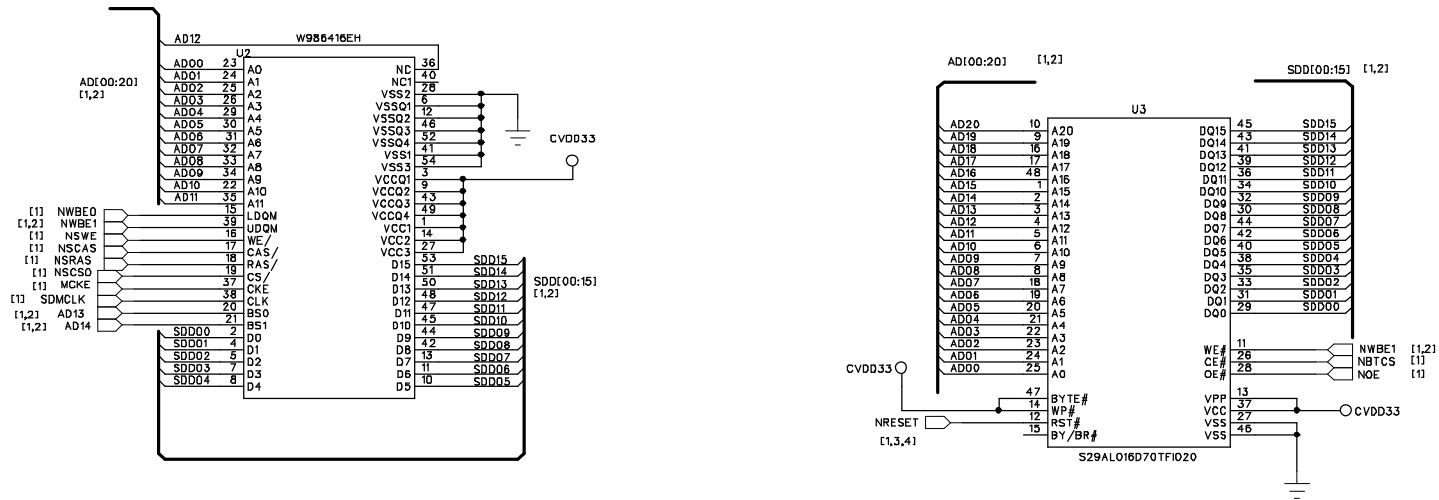
TITLE: MPU-W90N745			
CODE: NETWAVE TECH. LTD.	DRAWING NO: 20070718HX	REV: V1.0	
SCALE:		SHEET: 1 OF 4	

6 5 4 3 2 1

REVISION RECORD			
LTR	ECO NO:	APPROVED:	DATE:

D

D

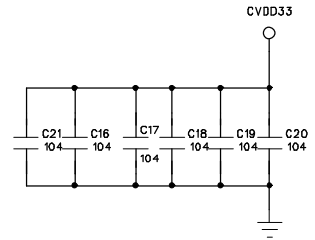


C

C

B

B

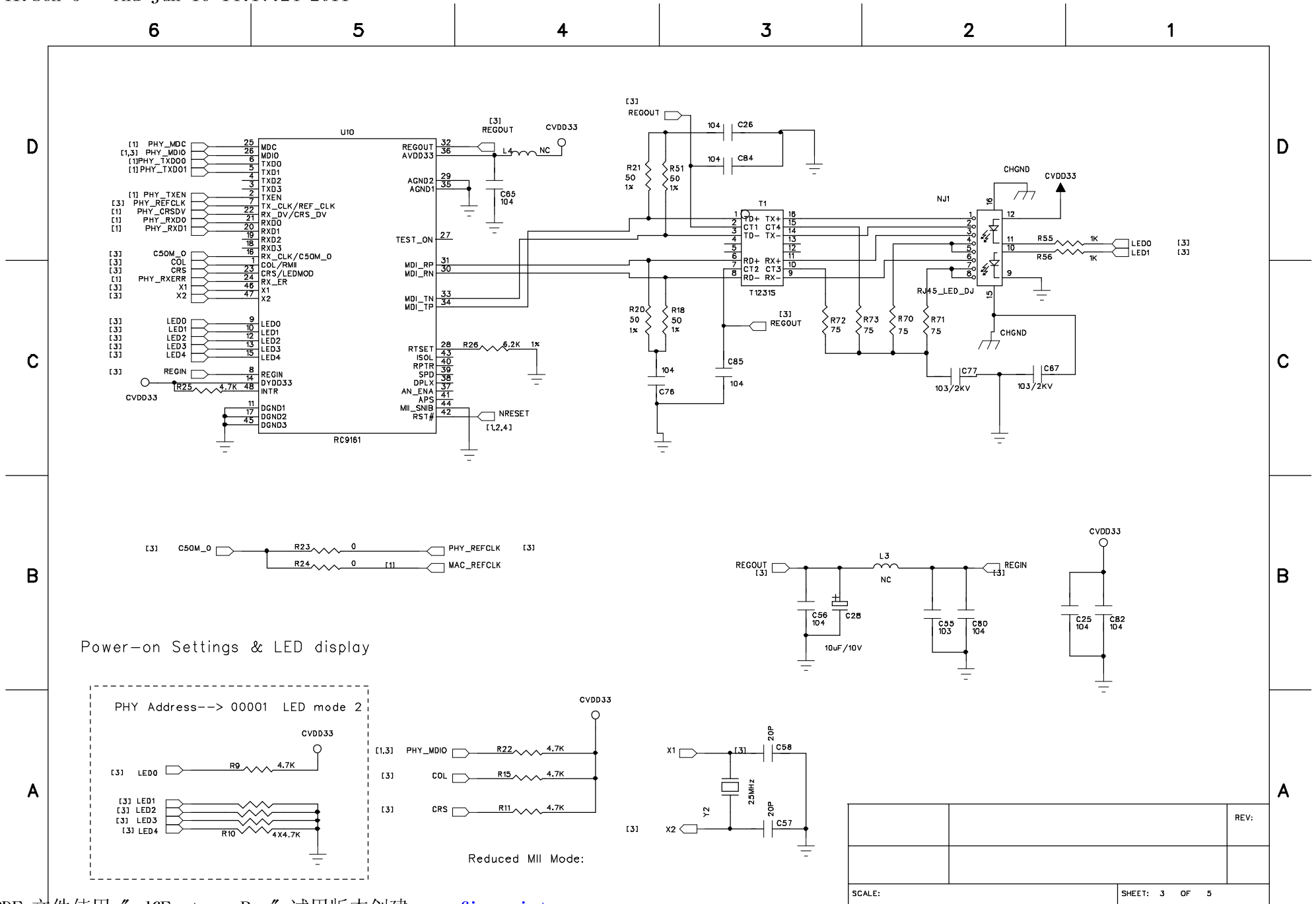


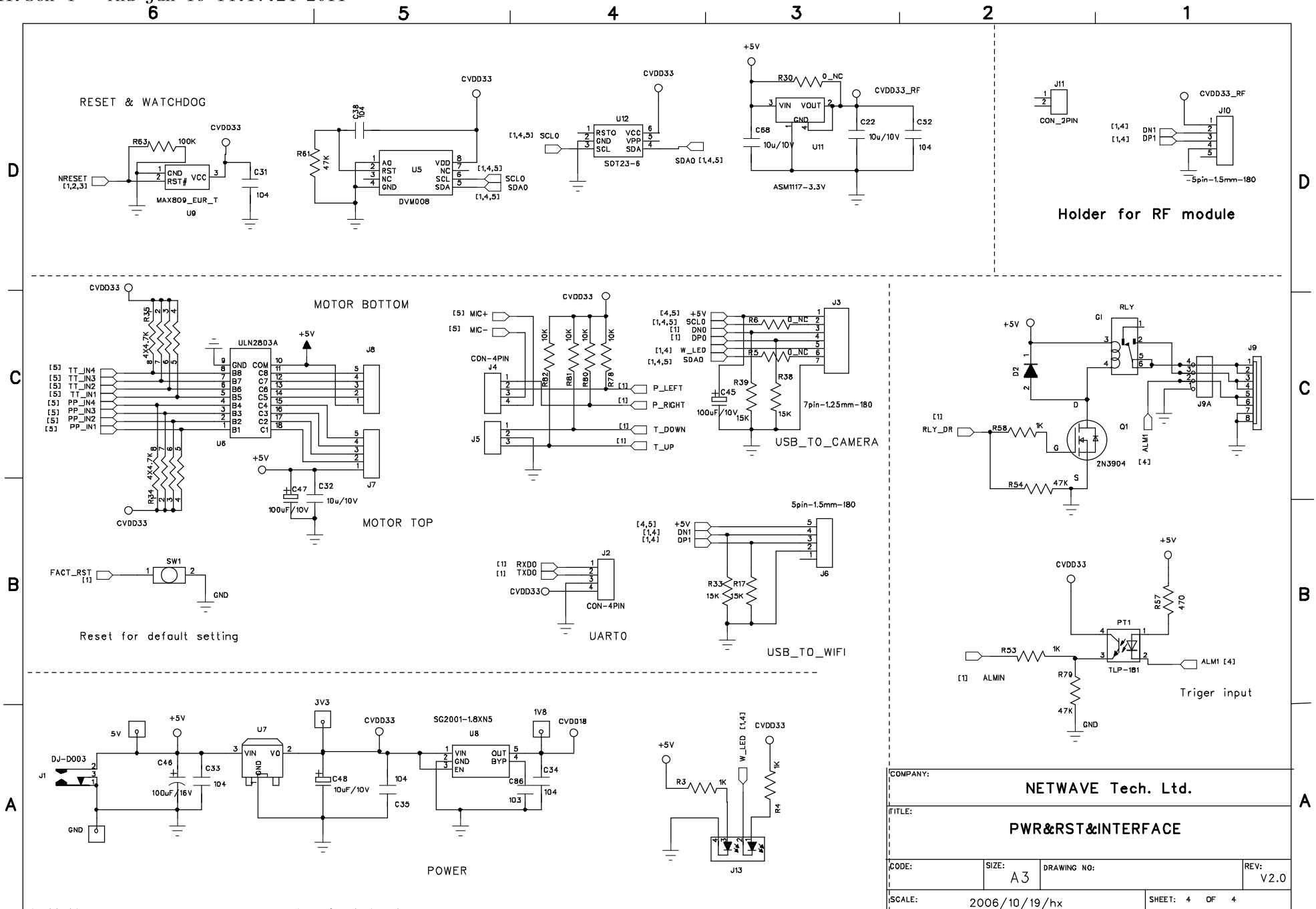
A

A

COMPANY: NETWAVE TECH. LTD.			
TITLE: SDRAM&ROM			
DRAWN:	DATED:	CODE:	SIZE: A3
CHECKED:	DATED:	DRAWING NO:	REV: V1.2
QUALITY CONTROL:	DATED:	SCALE:	SHEET: 2 OF 4
RELEASED:	DATED:		

DRAWN:	DATED:
CHECKED:	DATED:
QUALITY CONTROL:	DATED:
RELEASED:	DATED:





6

5

4

3

2

1

D

D

C

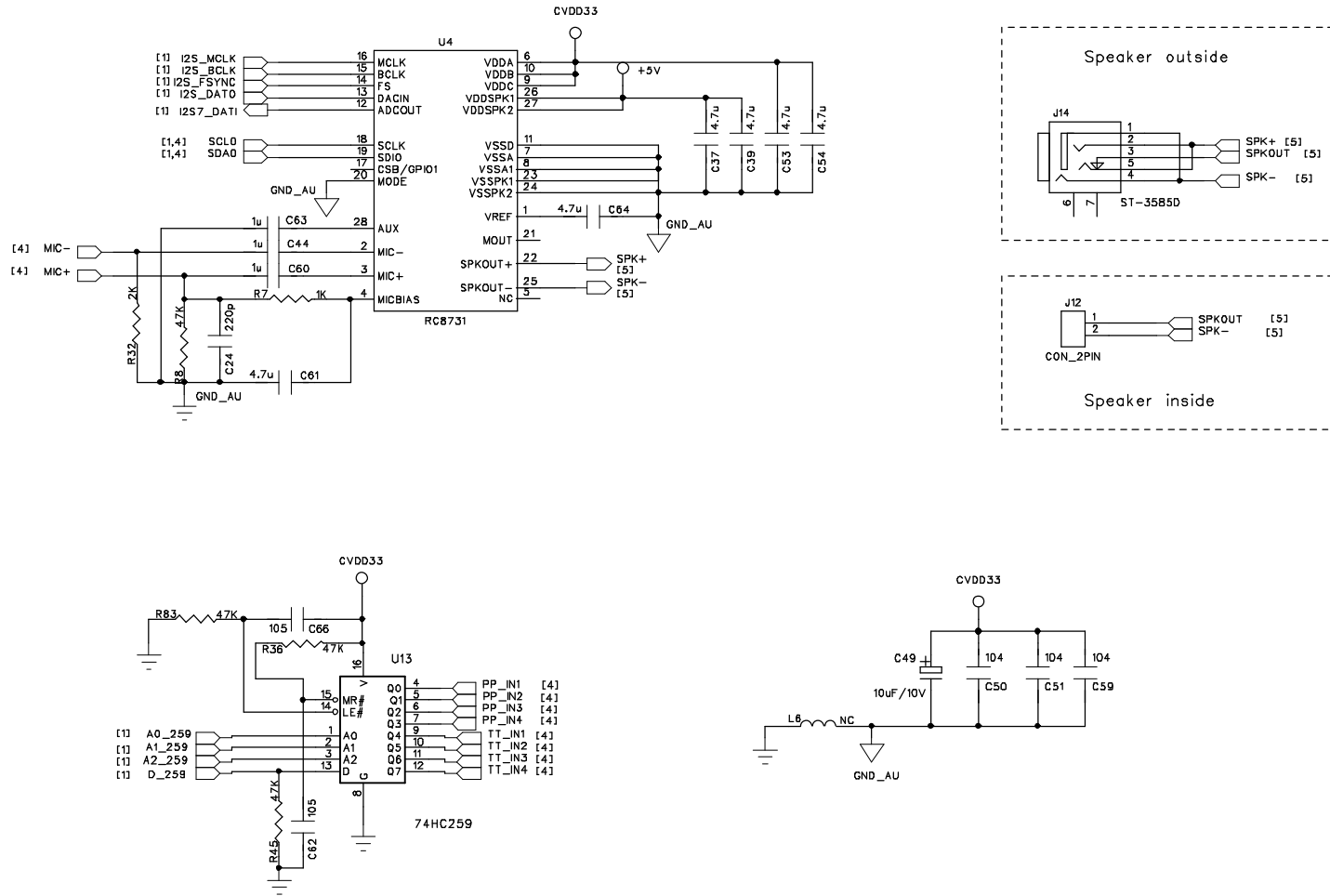
C

B

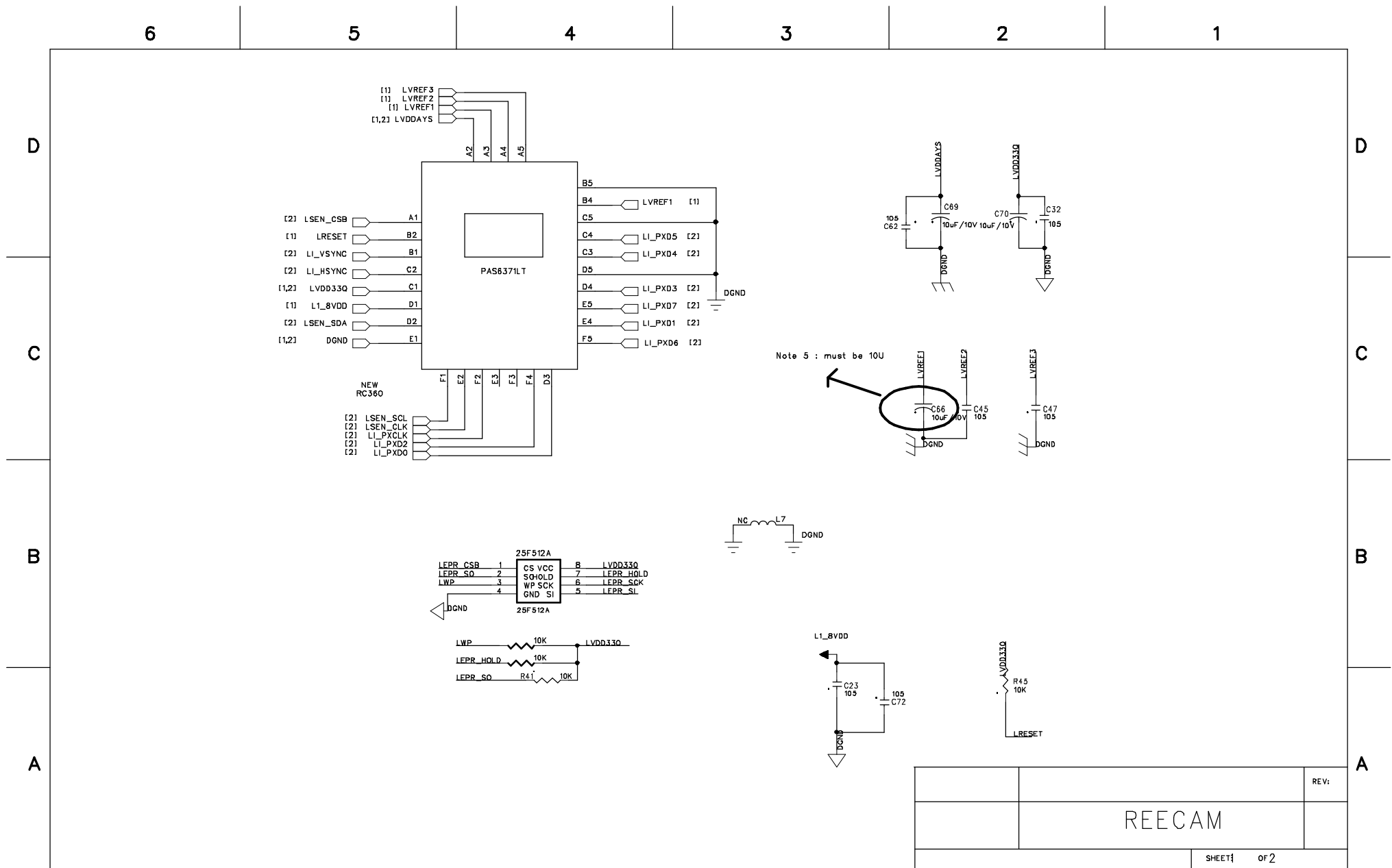
B

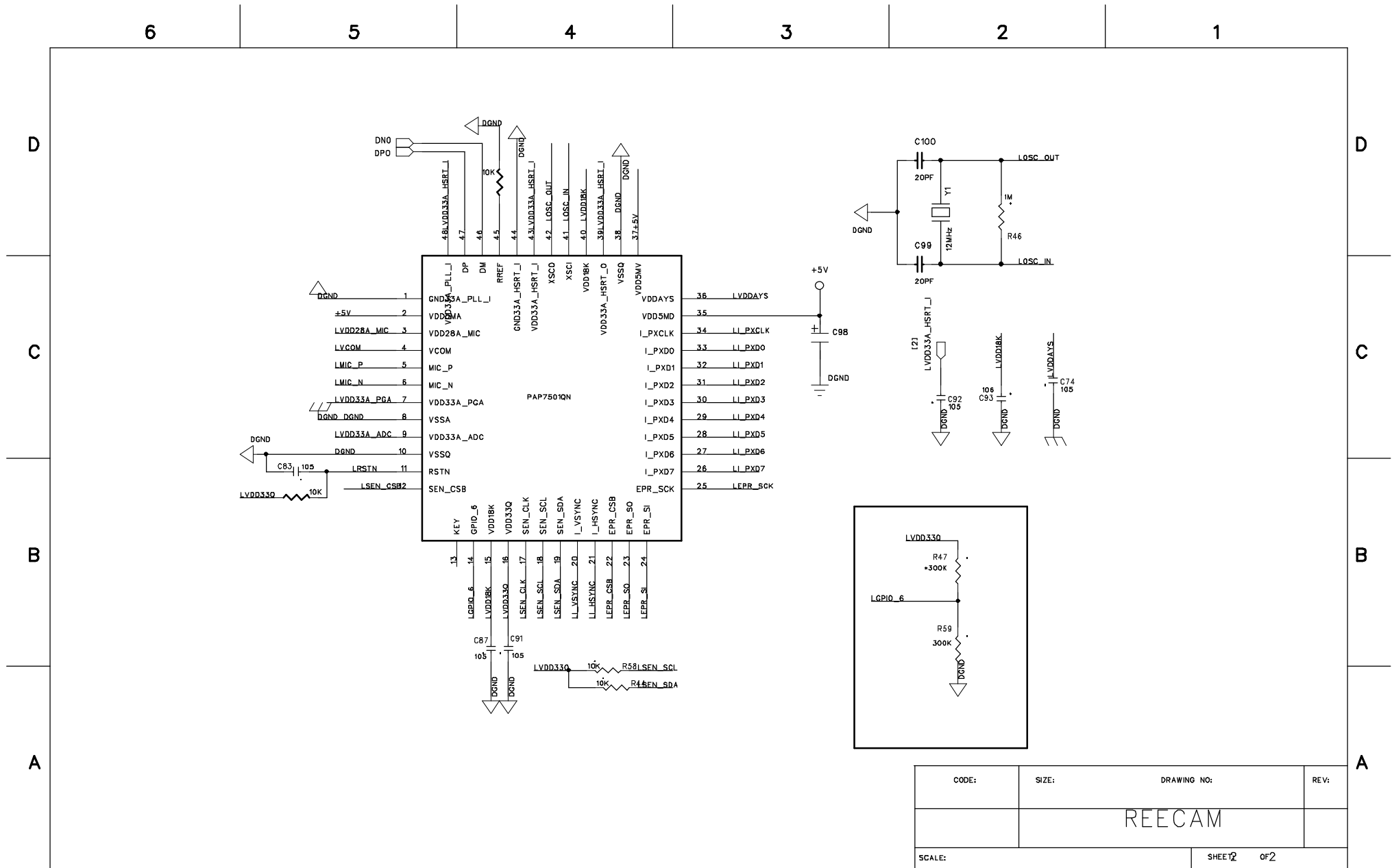
A

A



NETWAVE TECH. LTD.		REV:
Audio		
		SHEET: 5 OF 5





CODE:	SIZE:	DRAWING NO:	REV:
REECAM			
SCALE:		SHEET 2 OF 2	