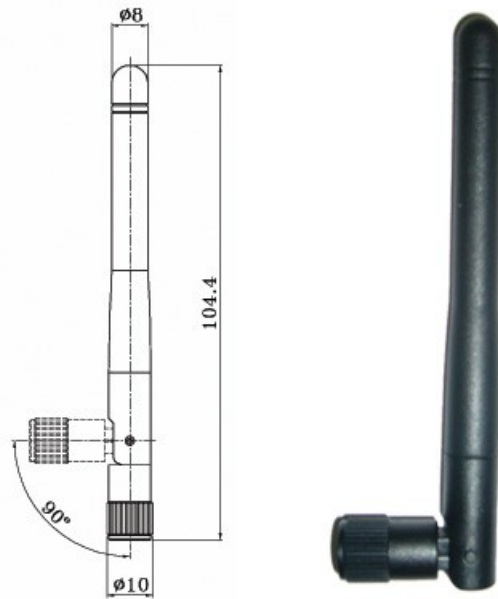


**Product Name:**SMA Swivel,2.4Ghz



**Specifications:**

**Model No.:**AXX-001

**Electrical Properties**

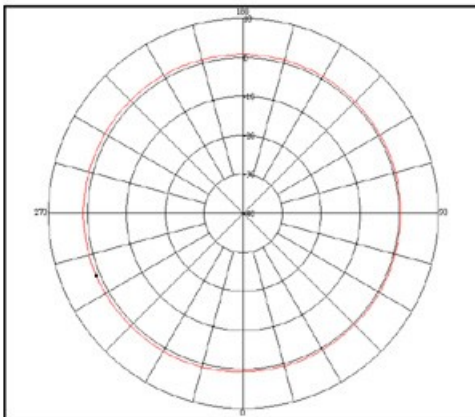
- Frequency Range :2.4 ~ 2.5 GHz
- Impedance :50 Ohms nominal
- SWR :<math>\leq 2.0</math>
- Gain:<math>\leq 2.0</math>
- Radiation:Omni
- Polarization :Vertical

**Mechanical Properties**

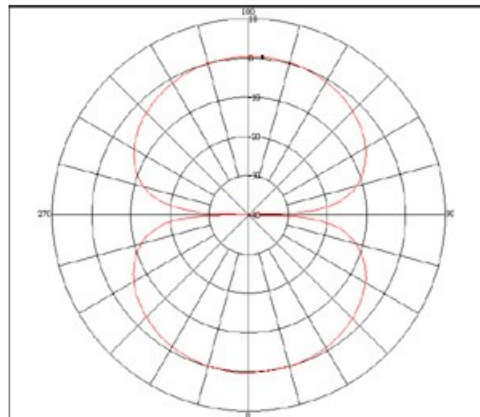
- Standard Connector:SMA Male or Male Reverse
- Antenna Cover :Polyurethane
- Swivel Mechanism :Polycarbonate
- Operation Temperature :-20 ~+65 degree
- Storage Temperature :-30 ~+75 degree

**Pattern Report**

H-Plane



E-Plane



**Songtak Technology Co., Ltd.**

5F-1, NO.888 Jingguo Rd., Taoyuan, Taiwan R.O.C.

Tel :886-3-3553809 Fax:886-3-3553906 Email: [info@songtak.com.tw](mailto:info@songtak.com.tw)