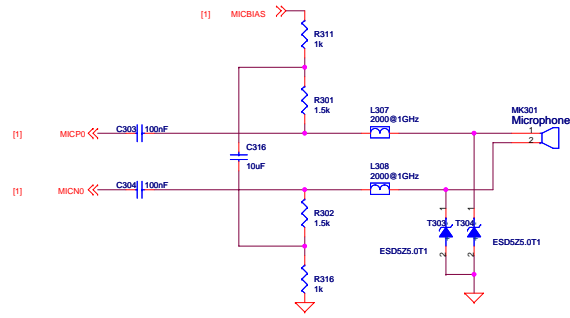
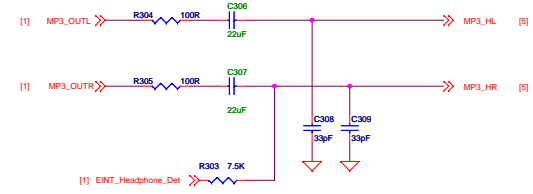


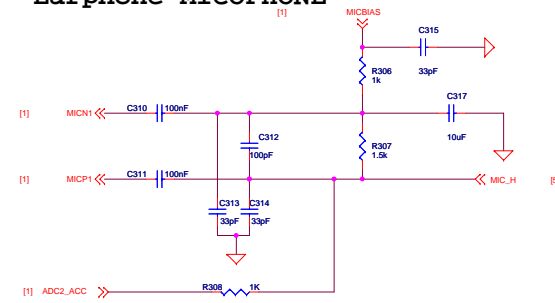
HANDSET MICROPHONE



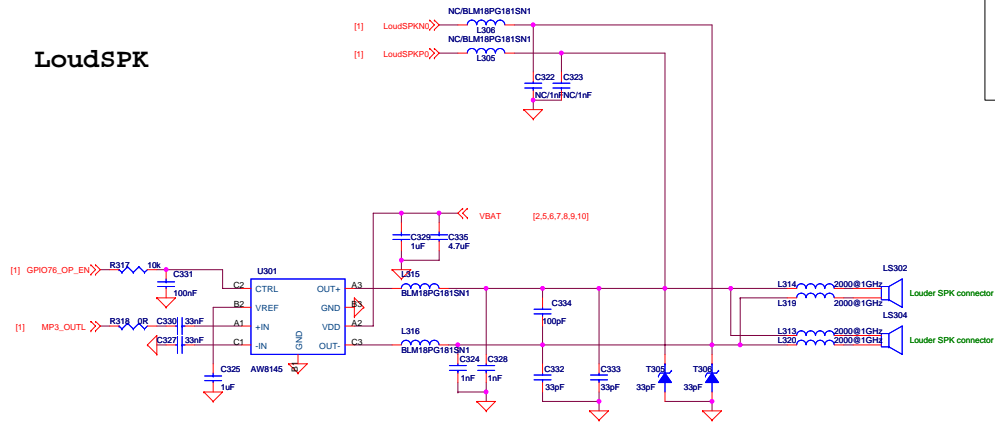
Earphone Receiver



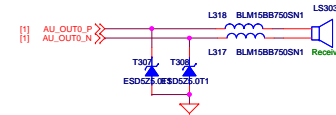
Earphone MICOPHONE



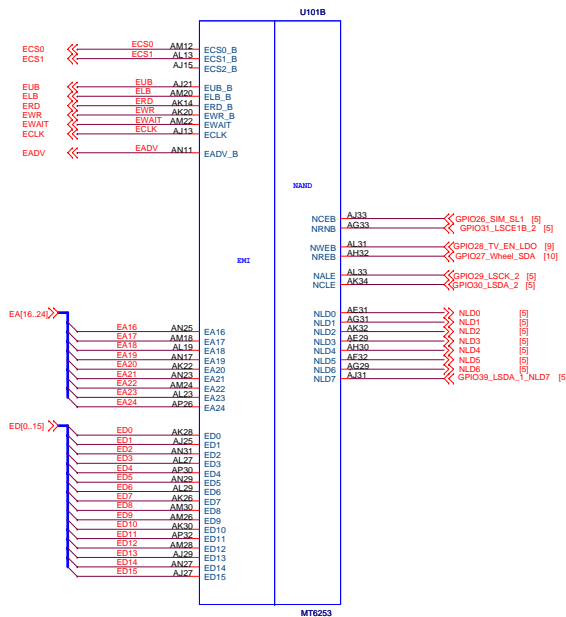
LoudSPK



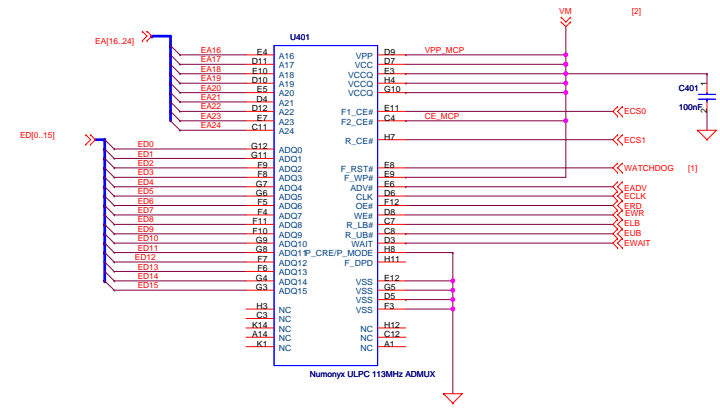
Receiver



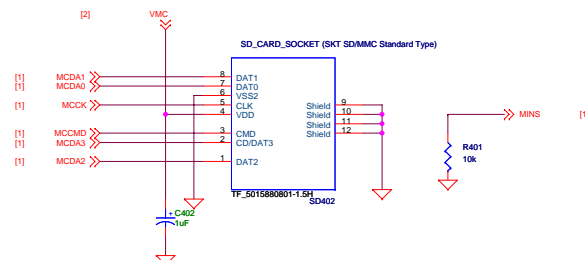
BASEBAND-MCP INTERFACE



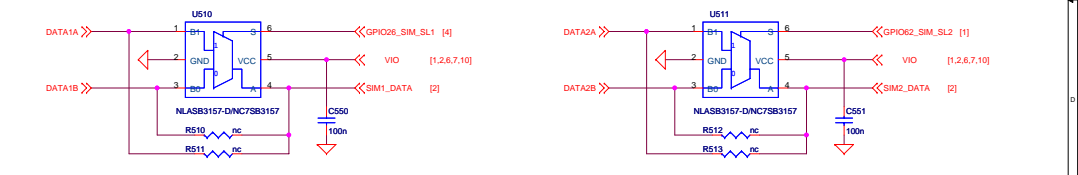
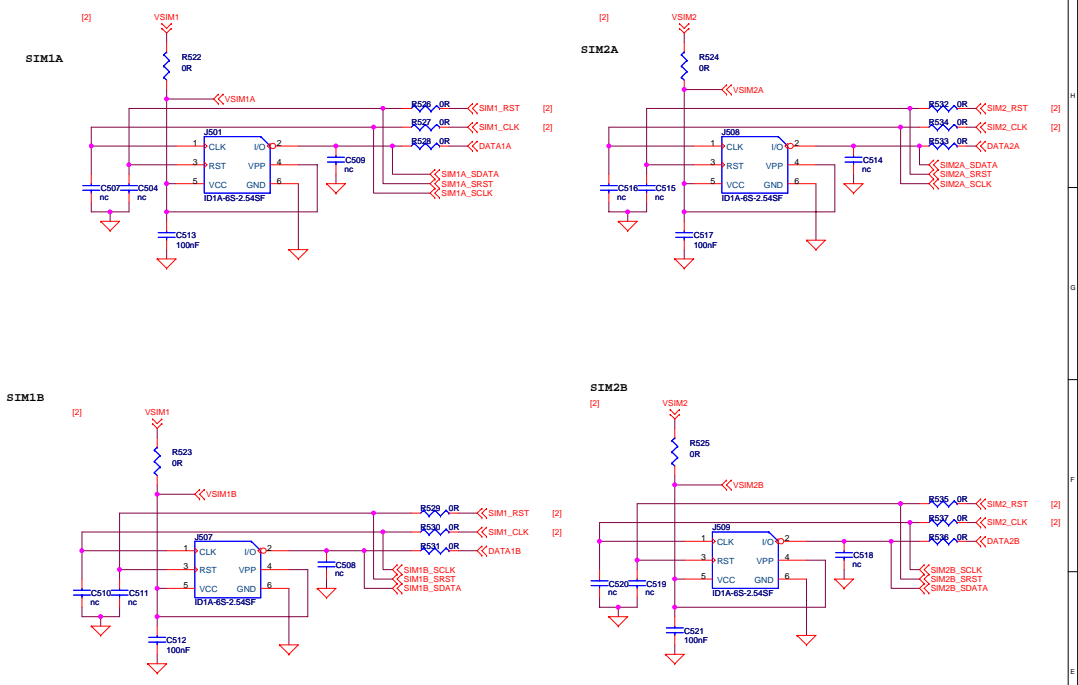
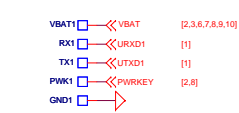
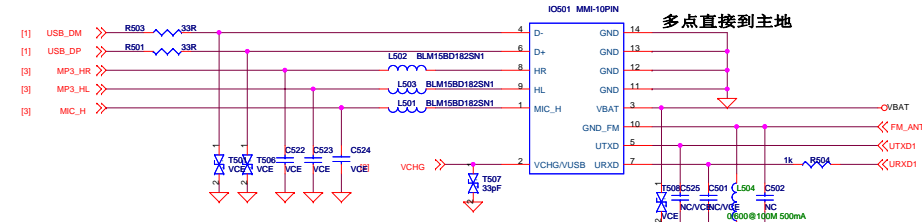
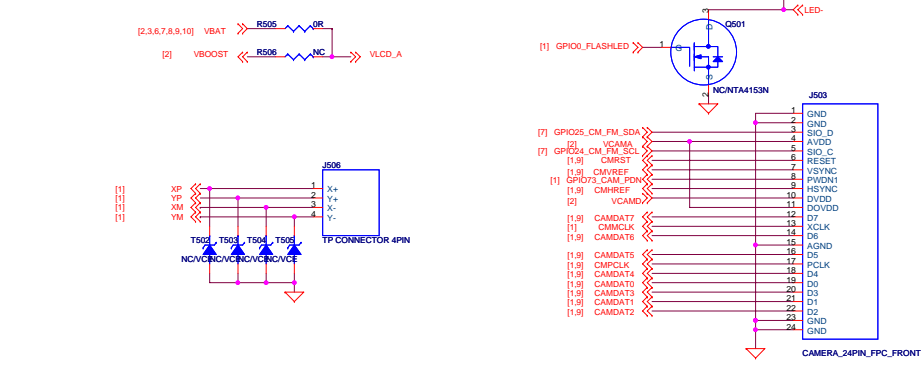
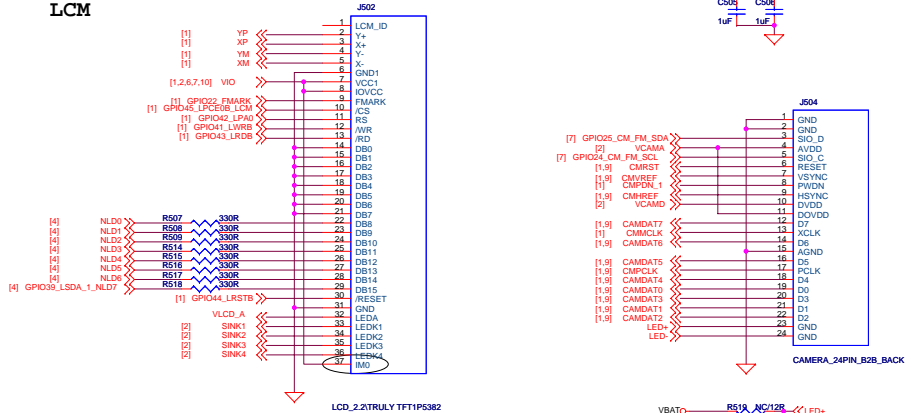
MCP



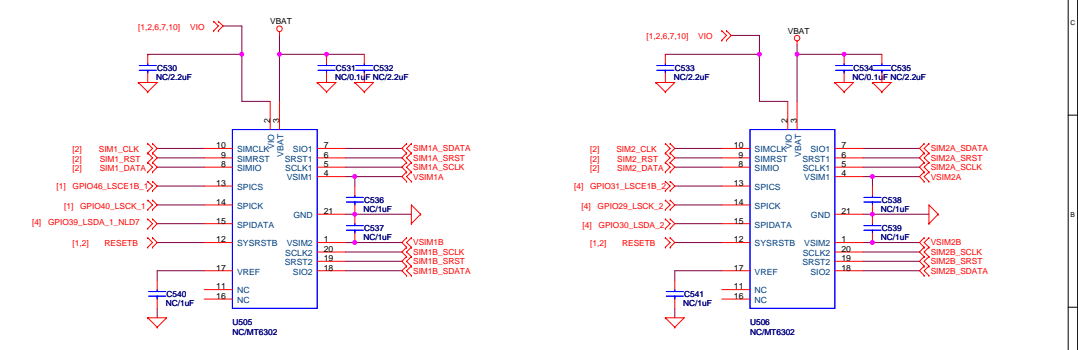
T-Flash



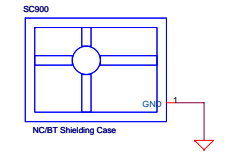
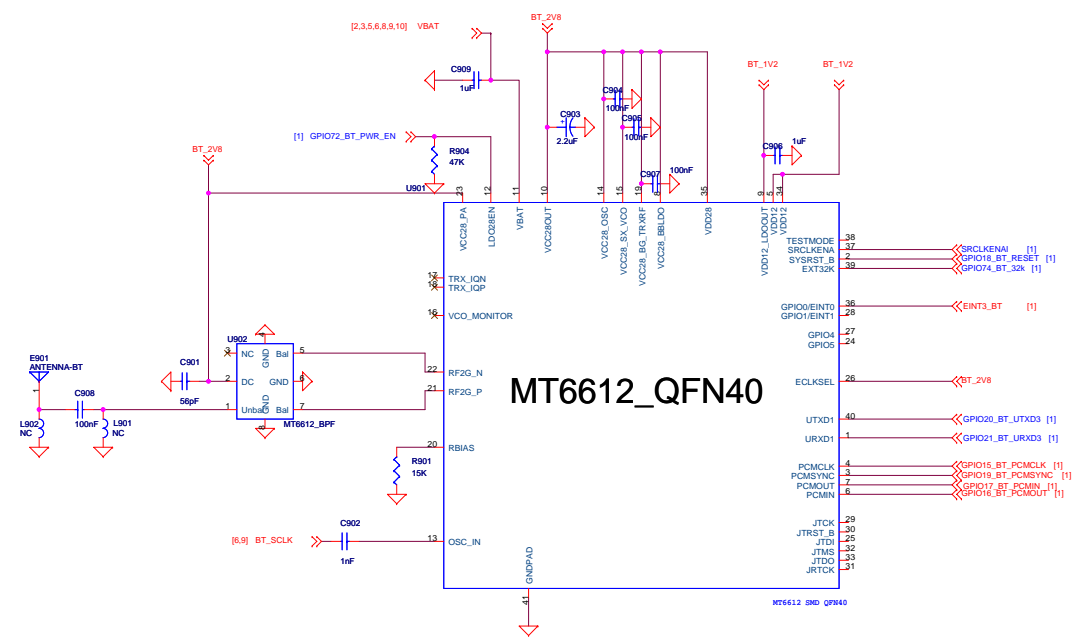
LCM



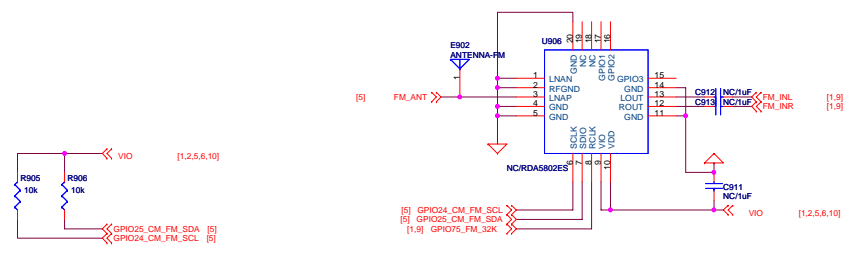
四卡双待



四卡四待



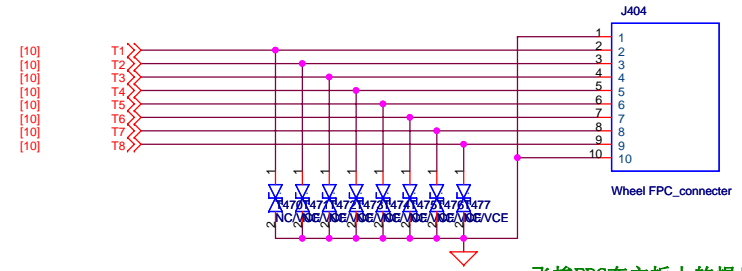
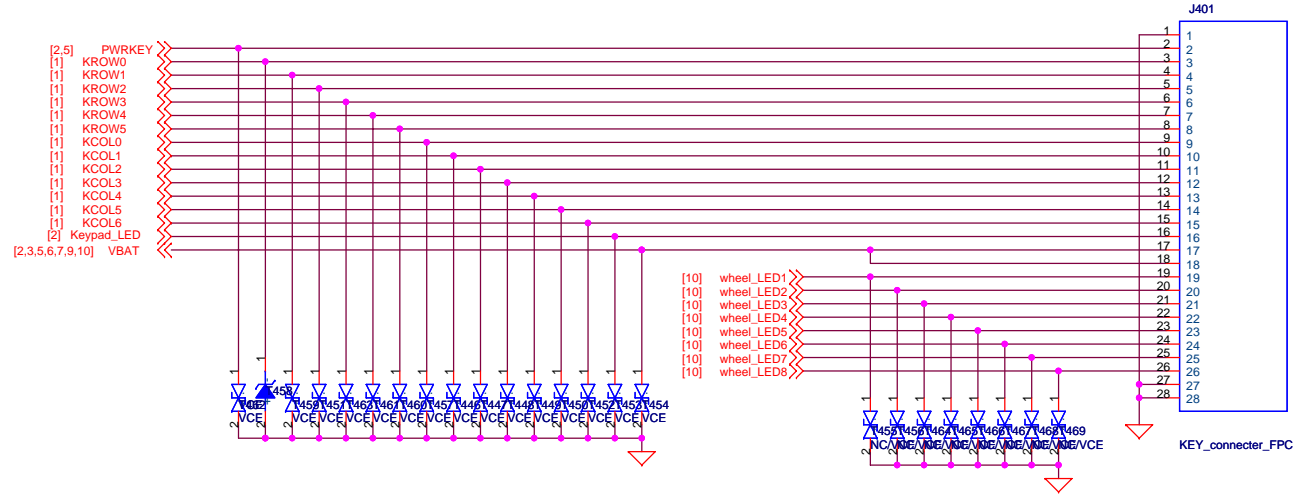
BT



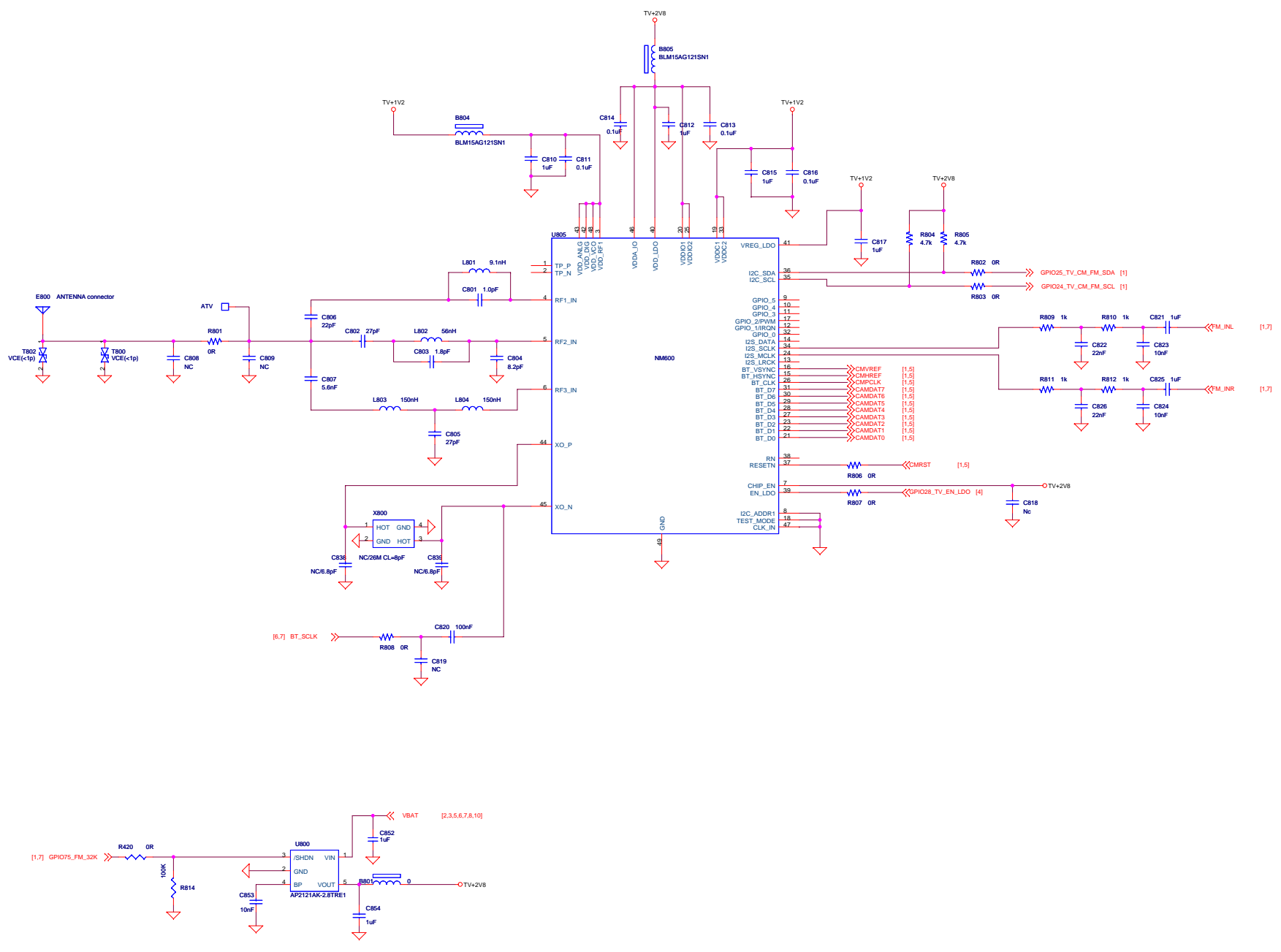
FM

Title		
07 BT, FM		
Size	Document Number	Rev
A2	F01	V0.1
Date:	Friday, February 11, 2011	Sheet 7 of 10

按键板FPC在主板上的焊盘

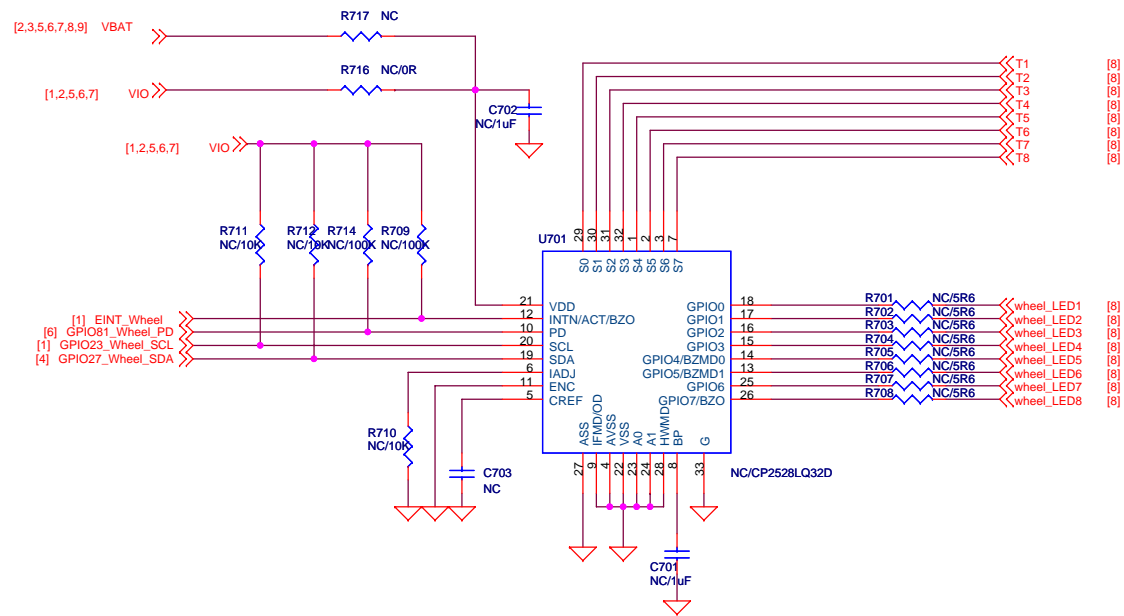


飞梭FPC在主板上的焊盘
在FPC焊盘增加地，防止干扰

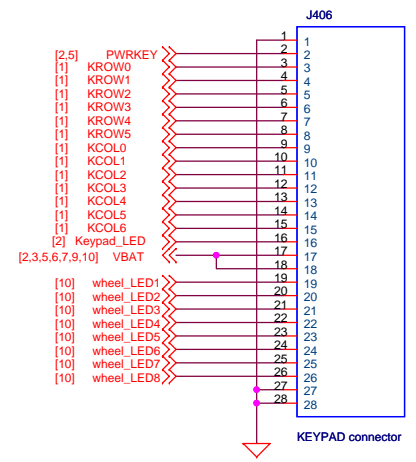
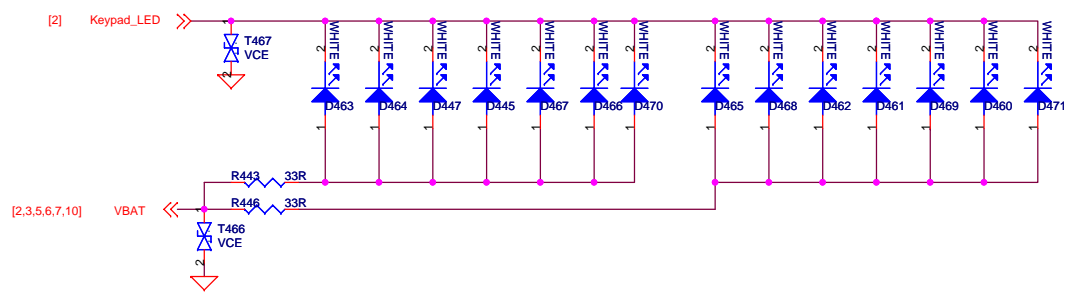
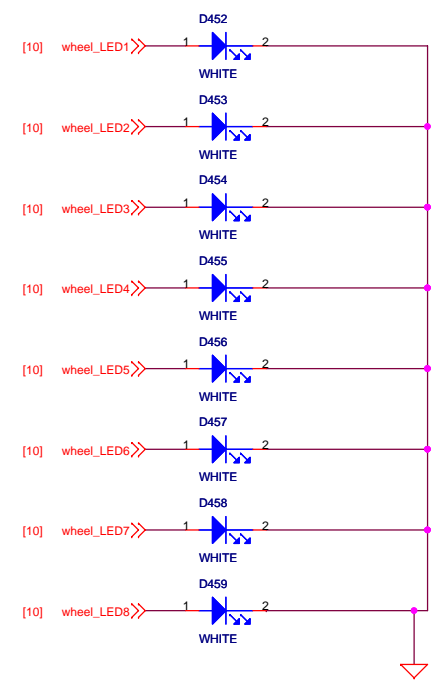
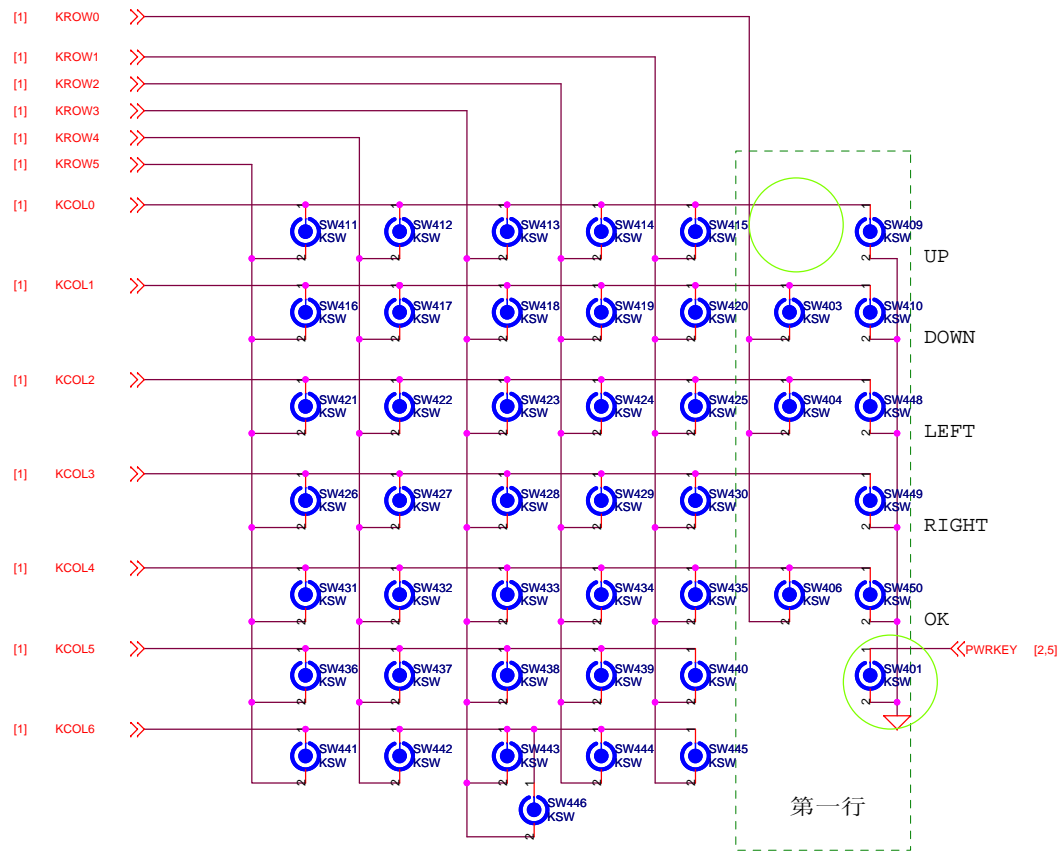


TV

File	09 TV		Rev	V0.1
Size	A2	Document Number	F01	
Date:	Friday, February 11, 2011	Sheet	9	of 10



Title		
10 Turning Wheel		
Size	Document Number	Rev
A3	F01	V0.1
Date:	Friday, February 11, 2011	Sheet 10 of 10



Title			02 KEYPAD		
Size	Document Number		Rev		
A3	F01		V0.1		
Date:	Friday, November 26, 2010	Sheet	2	of	2