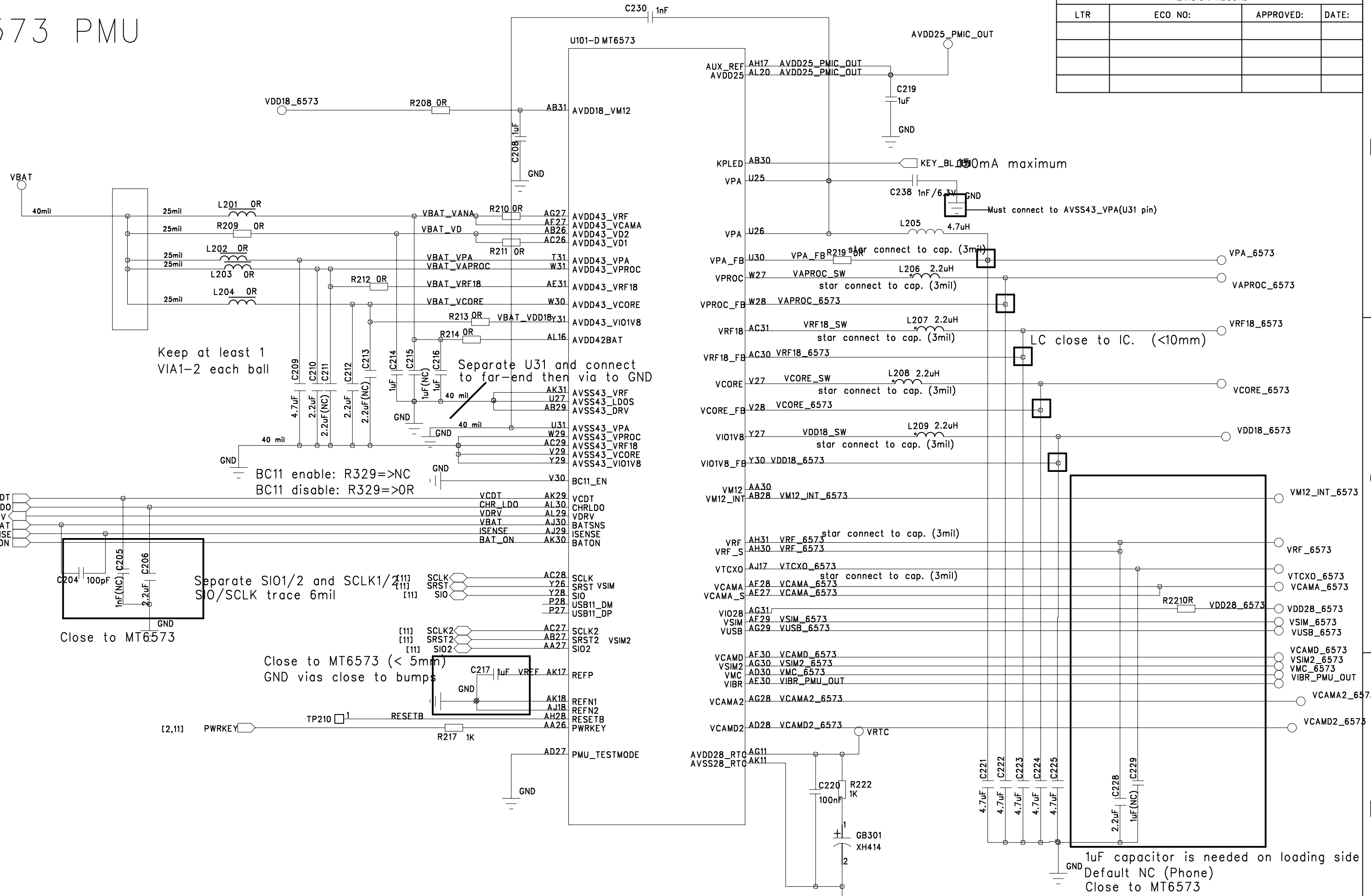


MT6573 PMU

Symbol	Vout (V)	Iout (mA)	
Buck	VPA	0.9 ~ 3.4 with 0.1 step	600
	VPROC	0.85 ~ 1.35	600
	VRF18	1.8	250
	VCORE	1.2	600
	VI01V8	1.8	600
	VRF	2.85	200
RF LDO	VTCXO	2.8	10
Analog LDO	VCAMA	1.5/1.8/2.5/2.8	250
	VCAMA2	1.5/1.8/2.5/2.8	100
	VM12	1.2	200
Digital LDO	VM12_INT	1.2 ~ 1.35	40
	VI028	2.8	100
	VSIM	1.8/3.0	100
	VUSB	3.3	100
	VCAMD	1.3/1.5/1.8/2.5/2.8/3.0/3.3	100
	VCAMD2	1.3/1.5/1.8/2.5/2.8/3.0/3.3	100
	VSIM2	1.3/1.5/1.8/2.5/2.8/3.0/3.3	100
	VMC	1.3/1.5/1.8/2.5/2.8/3.0/3.3	200
Vibrator	VIBR	1.3/1.5/1.8/2.5/2.8/3.0/3.3	200
RTC	VRTC	2.8	1

REVISION RECORD			
LTR	ECO NO:	APPROVED:	DATE:



Keep at least 1 VIA1-2 each ball

Separate U31 and connect to far-end then via to GND

BC11 enable: R329=>NC
BC11 disable: R329=>OR

Separate SIO1/2 and SCLK1/2
SIO/SCLK trace 6mil

Close to MT6573 (< 5mm)
GND vias close to bumps

1uF capacitor is needed on loading side
Default NC (Phone)
Close to MT6573

D

D

C

C

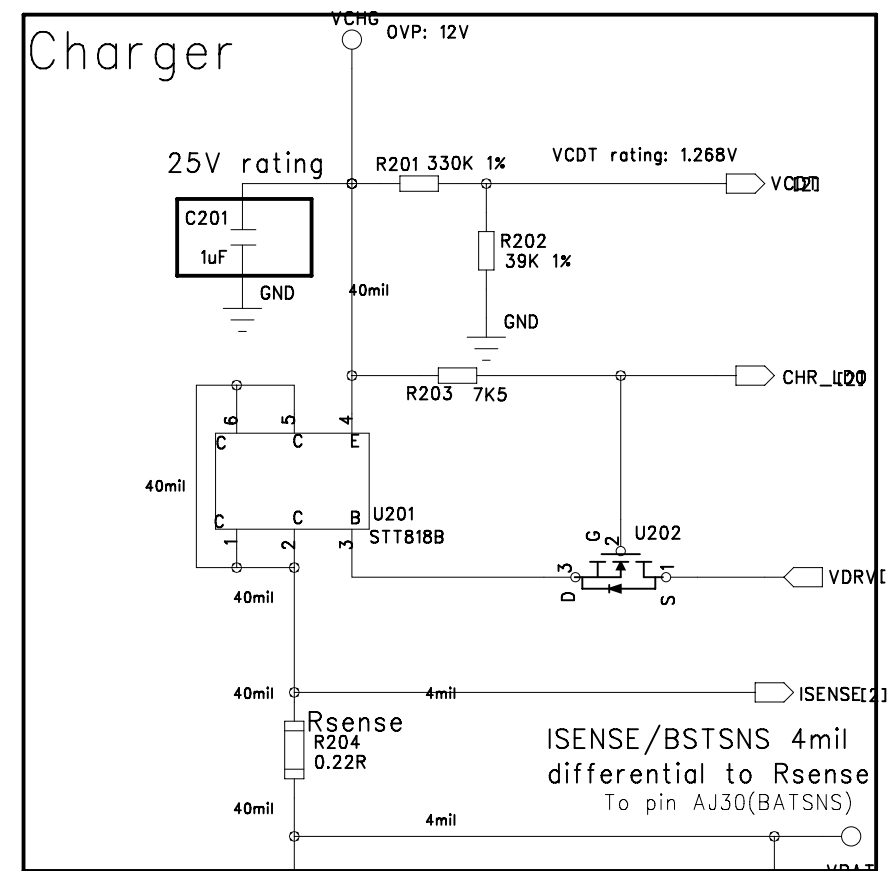
B

B

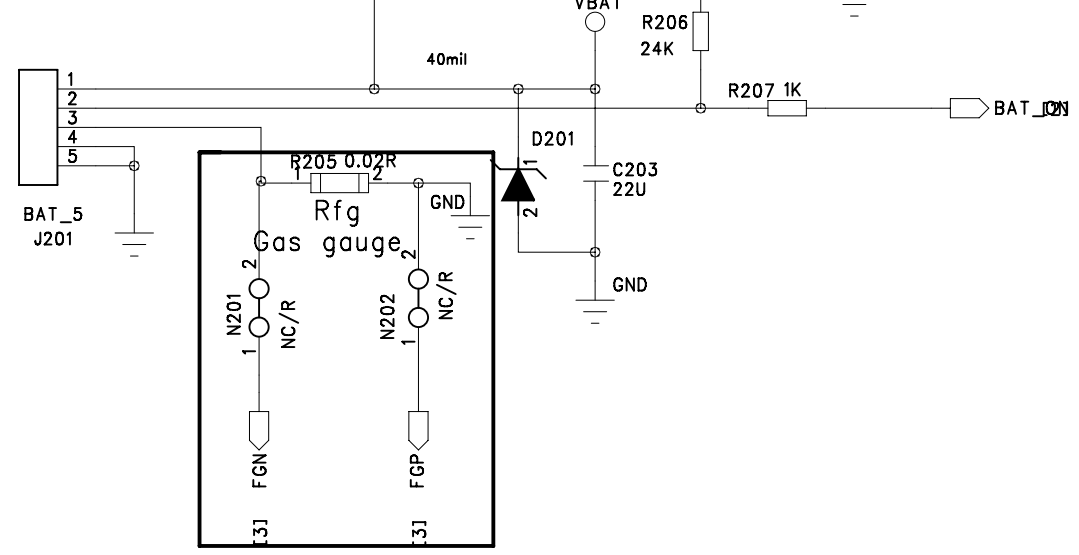
A

A

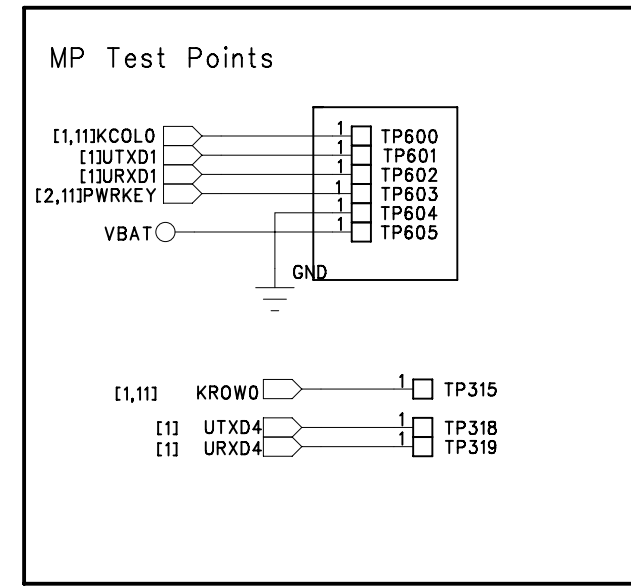
- Close to Battery Connector. (Rsense (R204) <10mm)
- Main path should be 40mil. (VCHG -> U201's E, -> U201's C -> R204 -> VBAT)
- Star connection from R204 to BAT Connector (2,4,5,7,8,9,11)



BATTERY CONNECTOR



FGN/FGP 4 mil differential connect to R205 pin1/2



DRAWN: Zhong Liang	DATED: 2011.10.10
CHECKED: <Checked By>	DATED: <Checked Date>
QUALITY CONTROL: <QC By>	DATED: 2010
RELEASED: <Released By>	DATED: 2010.12

COMPANY: SIMCOM			
TITLE: MT6573			
CODE: Code	SIZE: A2	DRAWING NO: I1800	REV: V1.01
SCALE: <Scale>			SHEET: 2 OF 12

6

5

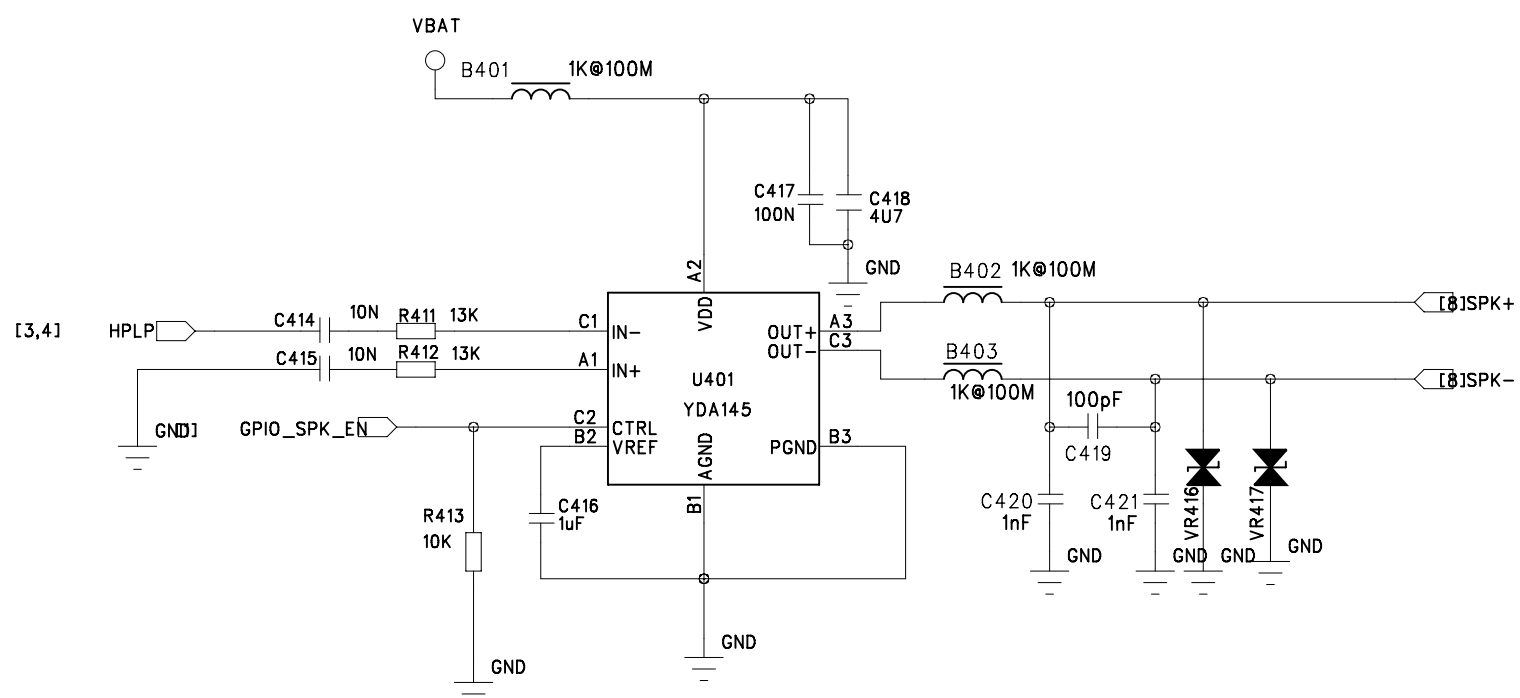
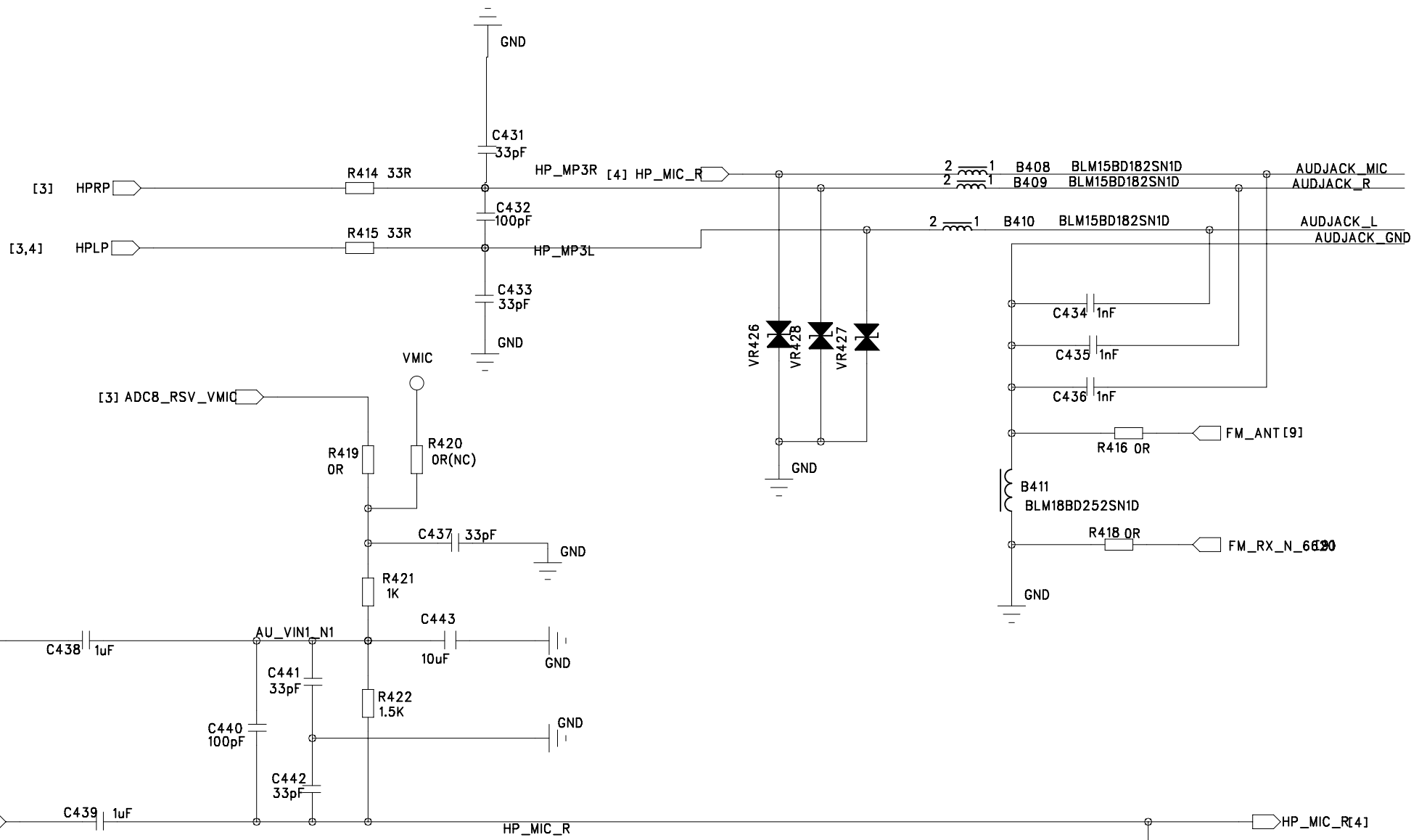
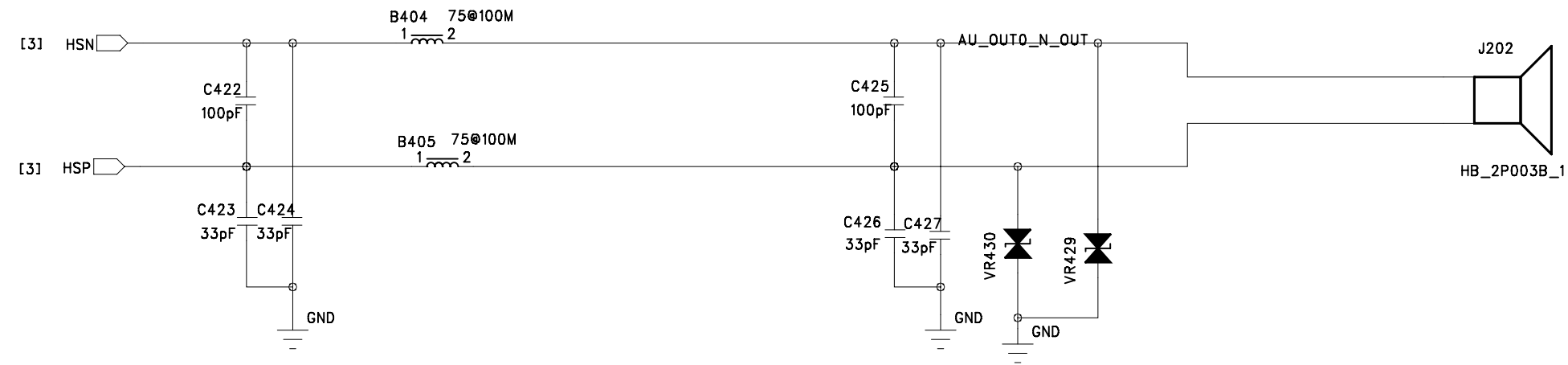
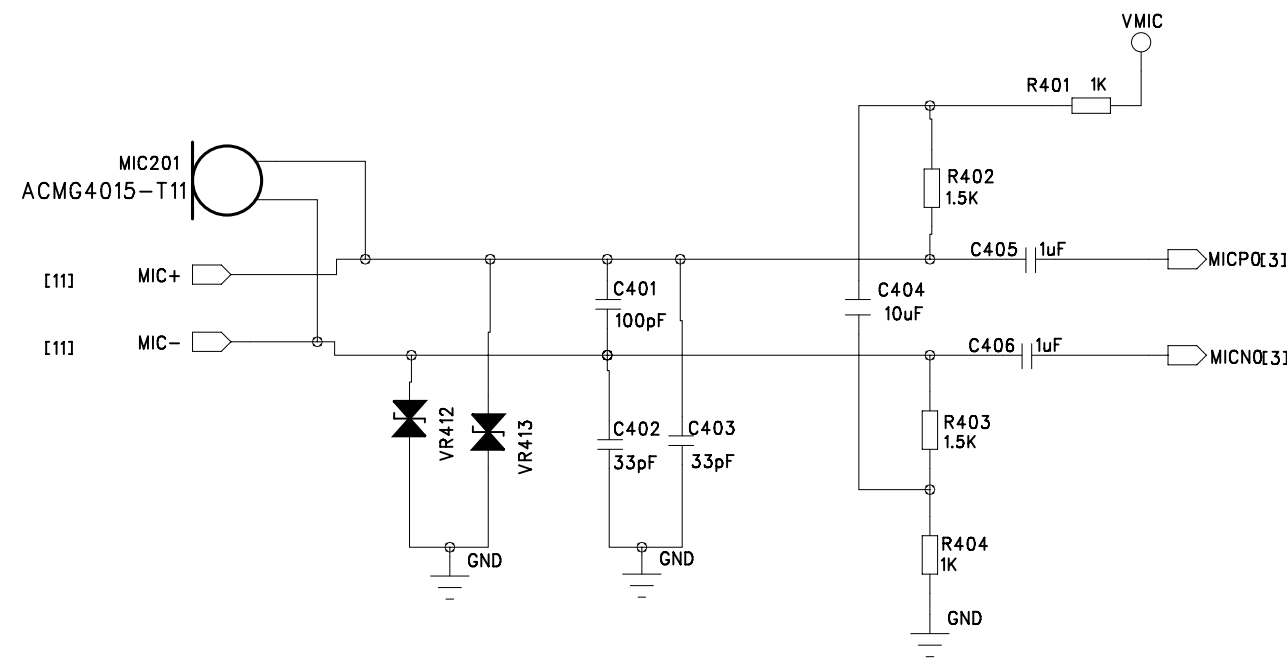
4

3

2

1

REVISION RECORD			
LTR	ECO NO:	APPROVED:	DATE:



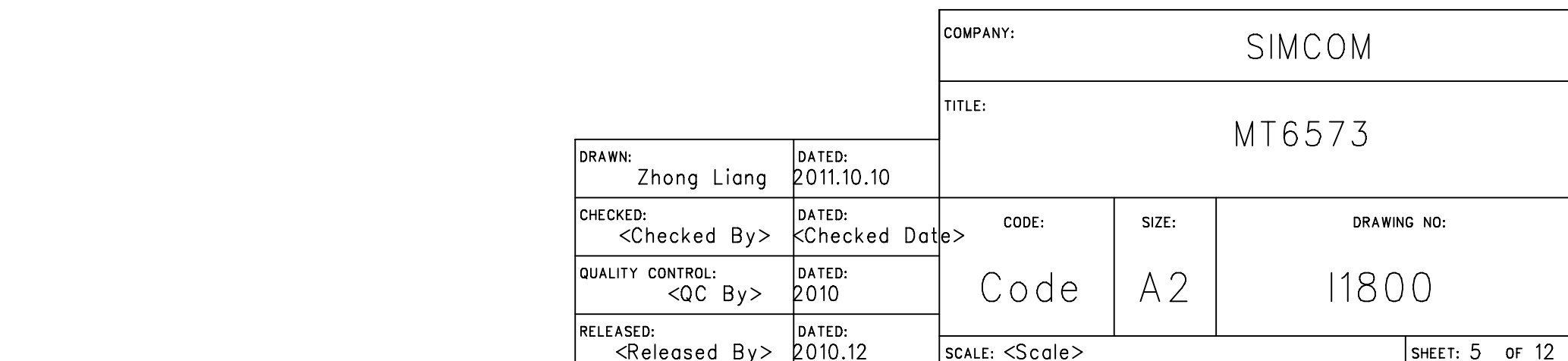
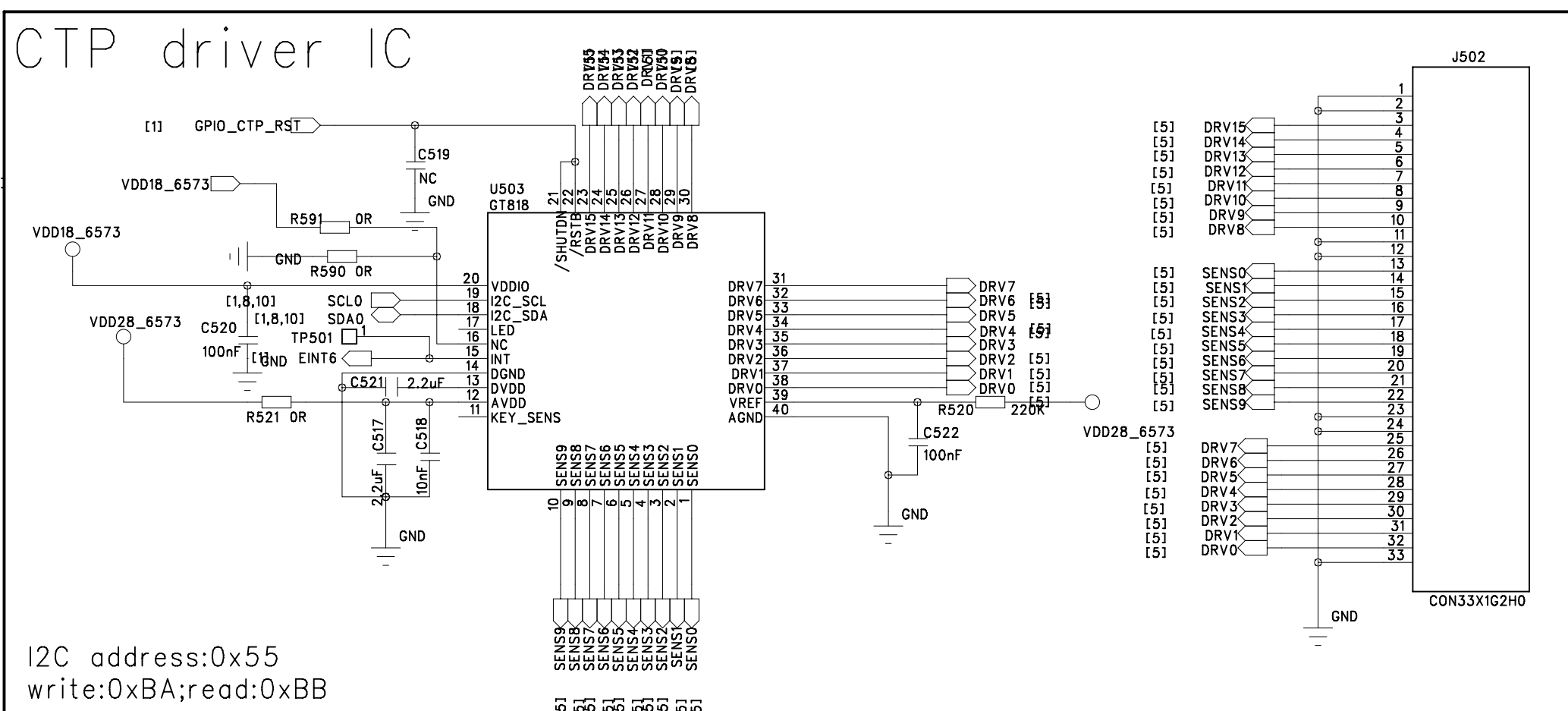
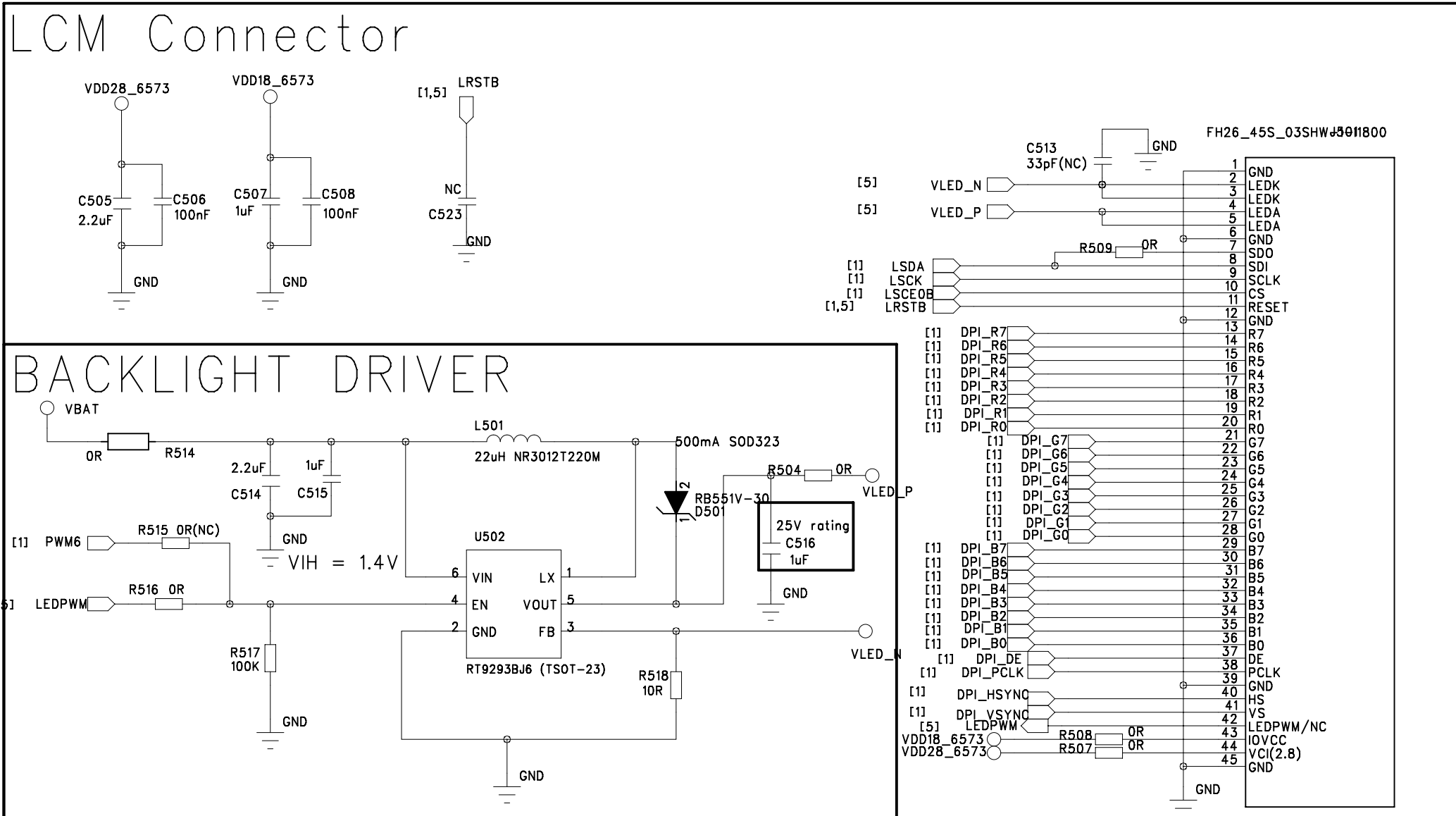
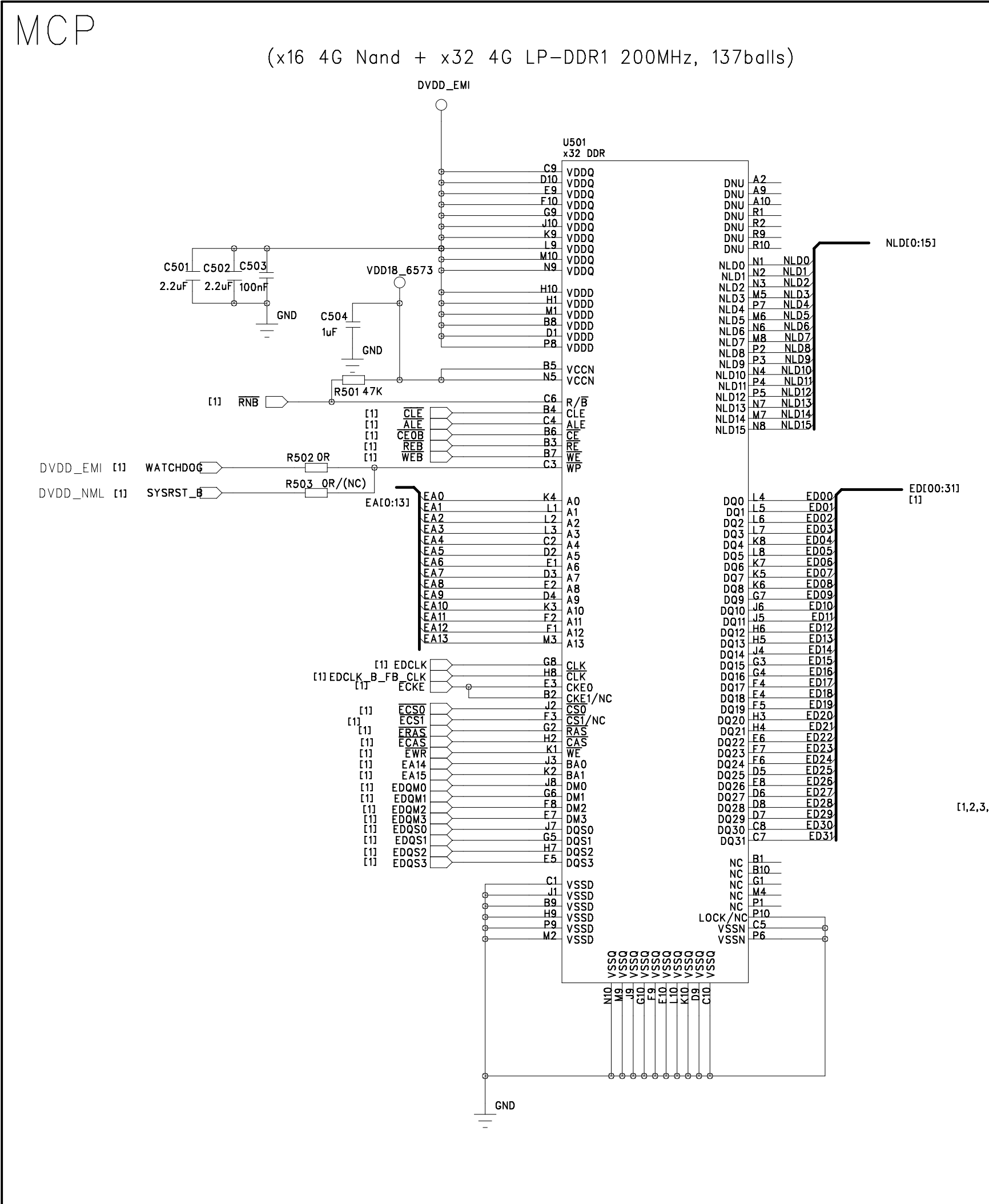
COMPANY: SIMCOM

TITLE: MT6573

DRAWN: Zhong Liang	DATED: 2011.10.10
CHECKED: <Checked By>	DATED: <Checked Date>
QUALITY CONTROL: <QC By>	DATED: 2010
RELEASED: <Released By>	DATED: 2010.12

CODE: Code	SIZE: A2	DRAWING NO: 11800	REV: V1.01
SCALE: <Scale>			SHEET: 4 OF 12

REVISION RECORD			
LTR	ECO NO:	APPROVED:	DATE:



COMPANY:		SIMCOM	
TITLE:		MT6573	
DRAWN:	DATE:	CODE:	SIZE:
Zhong Liang	2011.10.10	Code	A2
CHECKED:	DATE:	DRAWING NO:	REV:
<Checked By>	<Checked Date>	11800	V1.01
QUALITY CONTROL:	DATE:	SCALE: <Scale>	
<QC By>	2010	SHEET: 5 of 12	
RELEASED:	DATE:		
<Released By>	2010.12		

MT6162

REVISION RECORD			
LTR	ECO NO.	APPROVED:	DATE:

D

D

C

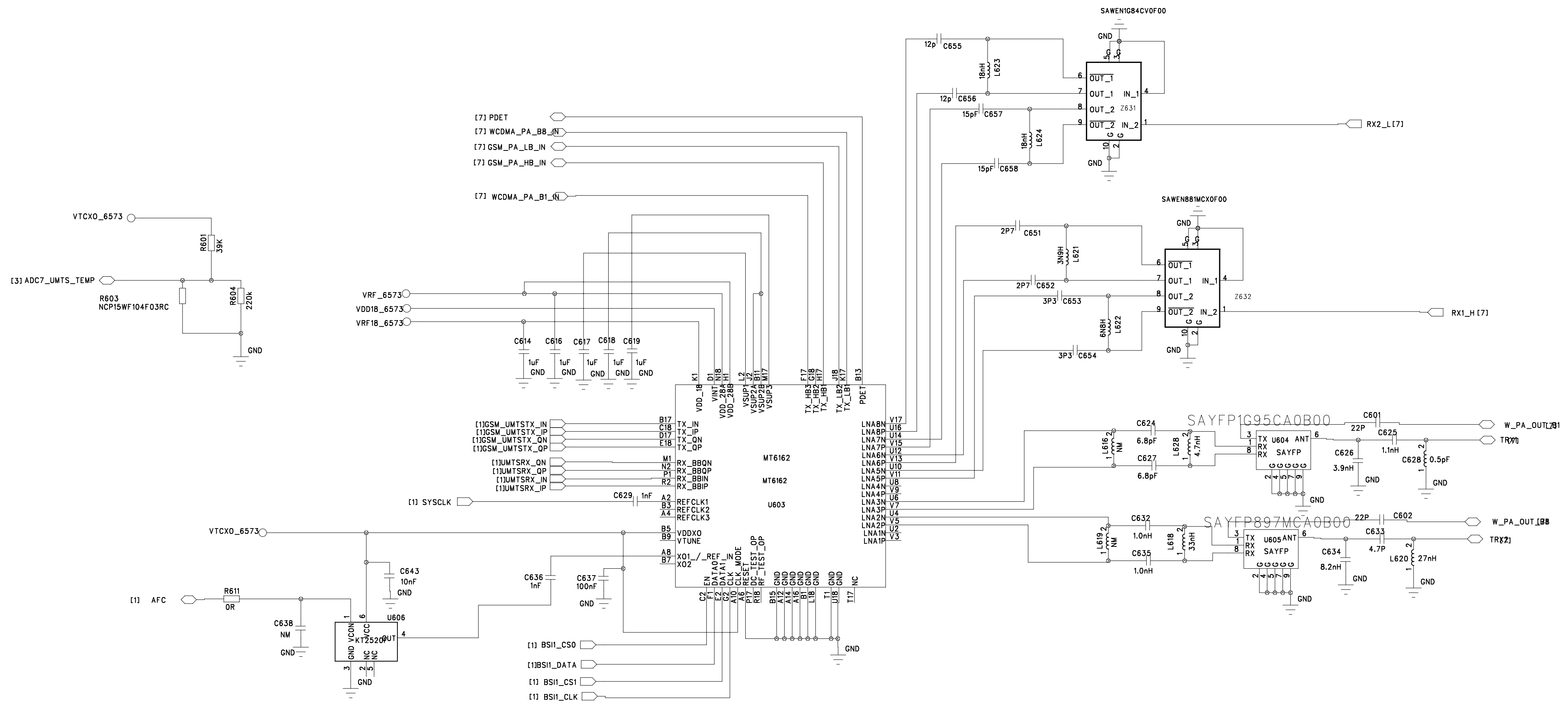
C

B

B

A

A



KT2520F26000DCW28QAK

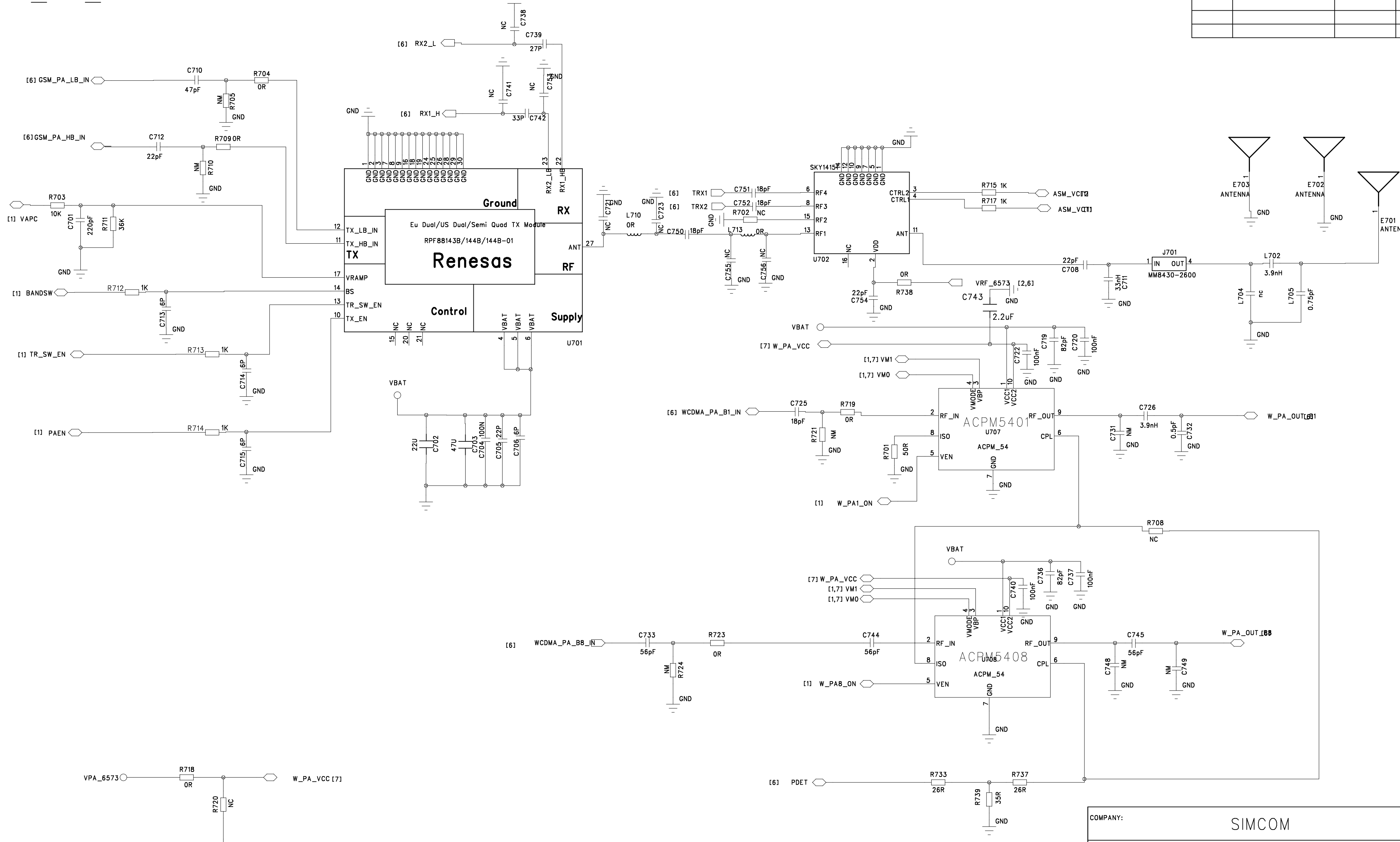
COMPANY:		SIMCOM		
TITLE:		MT6573		
DRAWN: Zhong Liang	DATED: 2011.10.10	CODE:	SIZE: A2	DRAWING NO: 11800
CHECKED: <Checked By>	DATED: <Checked Date>	REV:	V1.01	
QUALITY CONTROL: <QC By>	DATED: 2010	SHEET: 6 OF 12		
RELEASED: <Released By>	DATED: 2010.12	SCALE: <Scale>		

RF_TX_ASM

REVISION RECORD			
LTR	ECO NO:	APPROVED:	DATE:

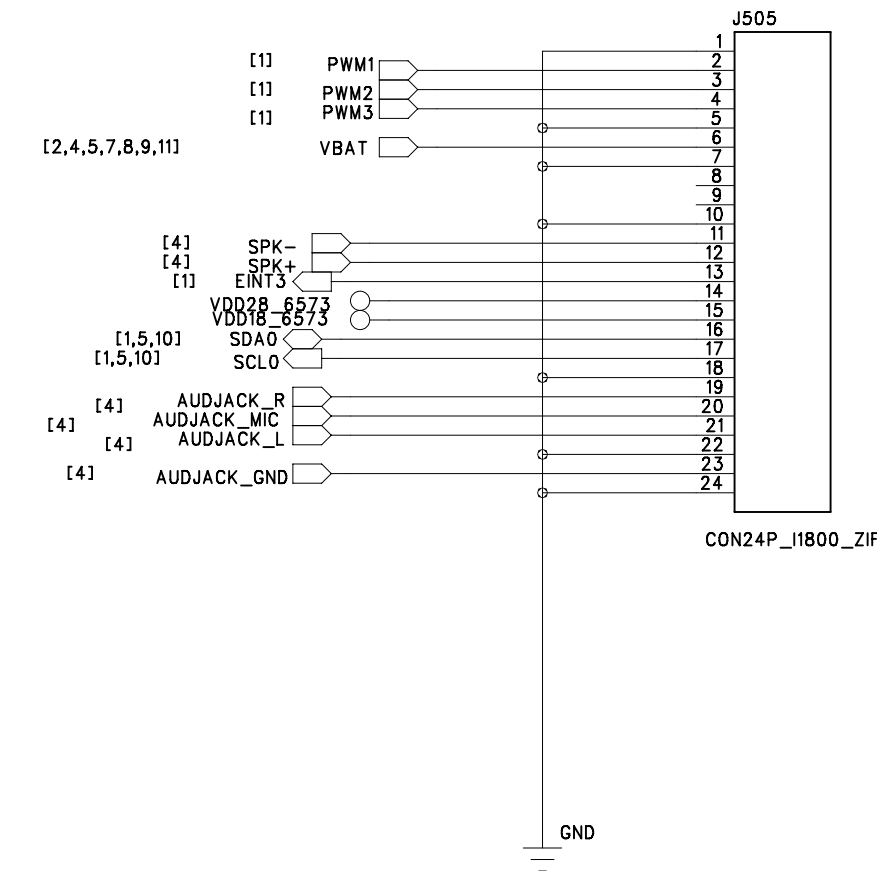
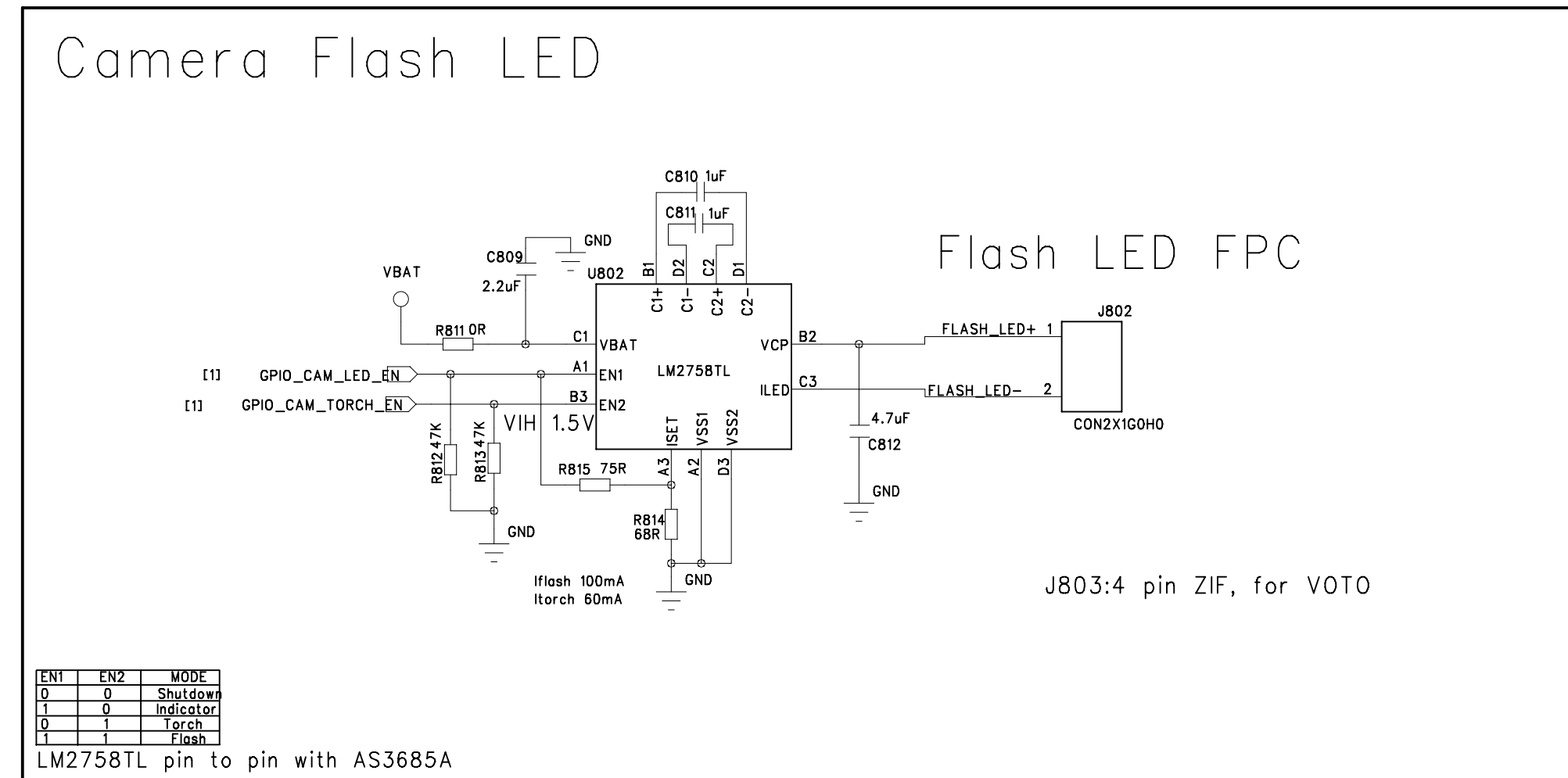
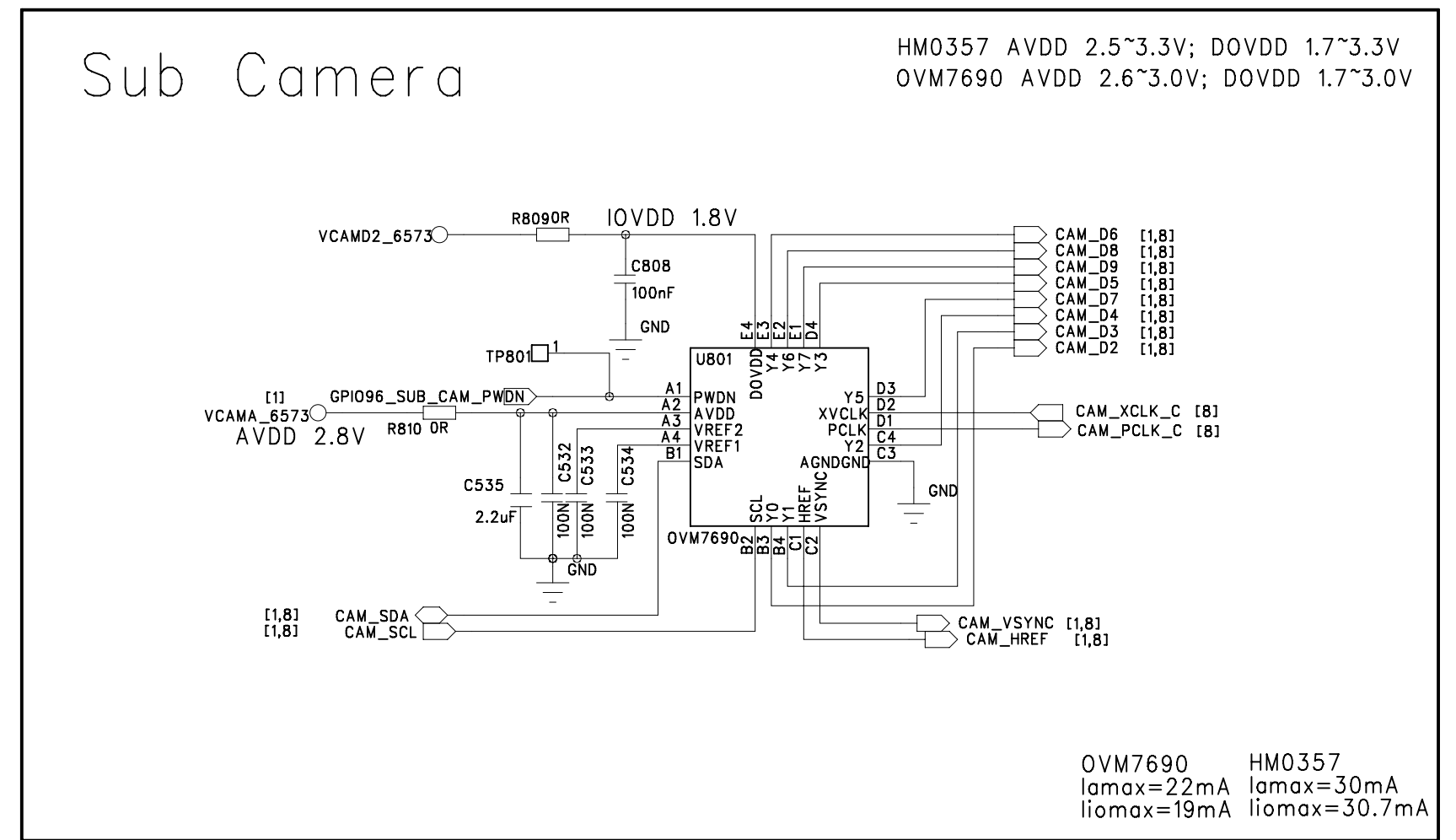
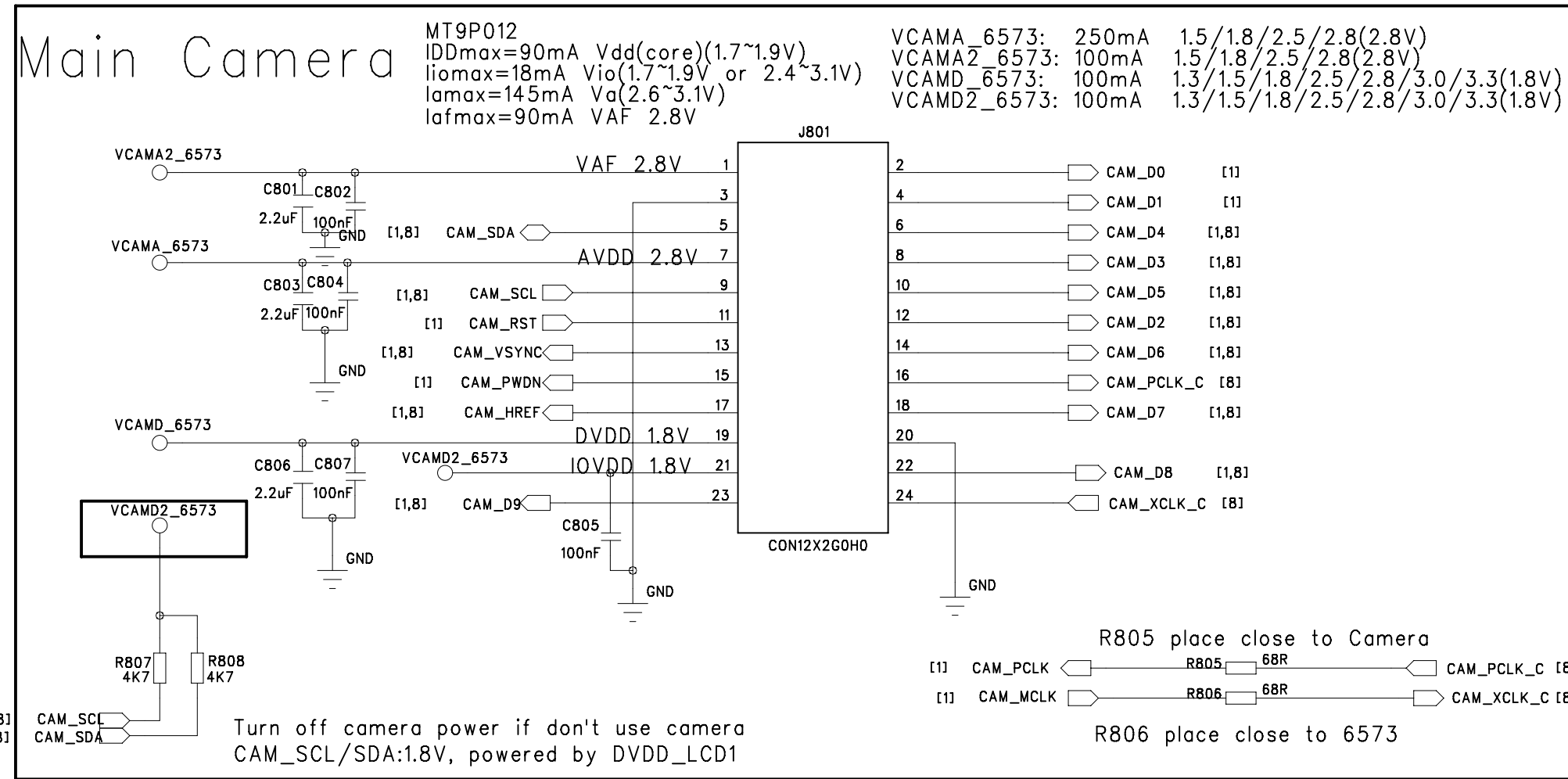
D
C
B
A

D
C
B
A



COMPANY: SIMCOM			
TITLE: MT6573			
DRAWN: Zhong Liang	DATED: 2011.10.10	CODE: Code	SIZE: A2
CHECKED: <Checked By>	DATED: <Checked Date>	DRAWING NO: 11800	REV: V1.01
QUALITY CONTROL: <QC By>	DATED: 2010	SCALE: <Scale>	
RELEASED: <Released By>	DATED: 2010.12	SHEET: 7 of 12	

REVISION RECORD			
LTR	ECO NO:	APPROVED:	DATE:



Checked

DRAWN: Zhong Liang		DATED: 2011.10.10		COMPANY: SIMCOM	
CHECKED: <Checked By>		DATED: <Checked Date>		TITLE: MT6573	
QUALITY CONTROL: <QC By>		DATED: 2010		CODE: Code	SIZE: A2
RELEASED: <Released By>		DATED: 2010.12		DRAWING NO: 11800	
SCALE: <Scale>				REV: V1.01	
				SHEET: 8 OF 12	

6

5

4

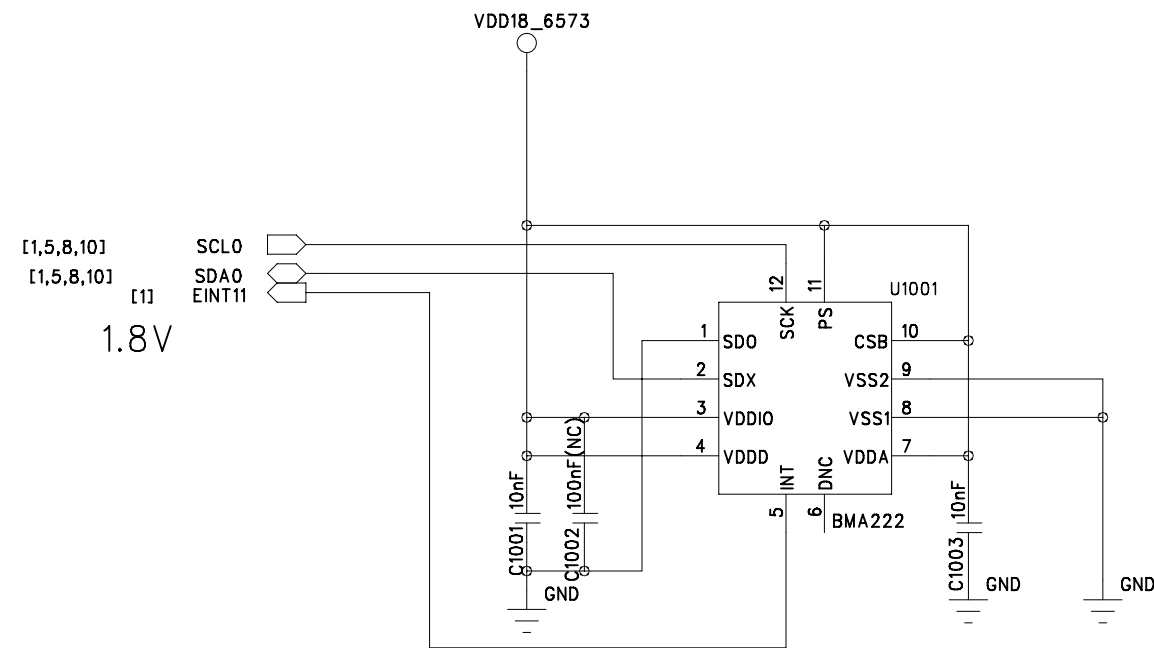
3

2

1

REVISION RECORD			
LTR	ECO NO:	APPROVED:	DATE:

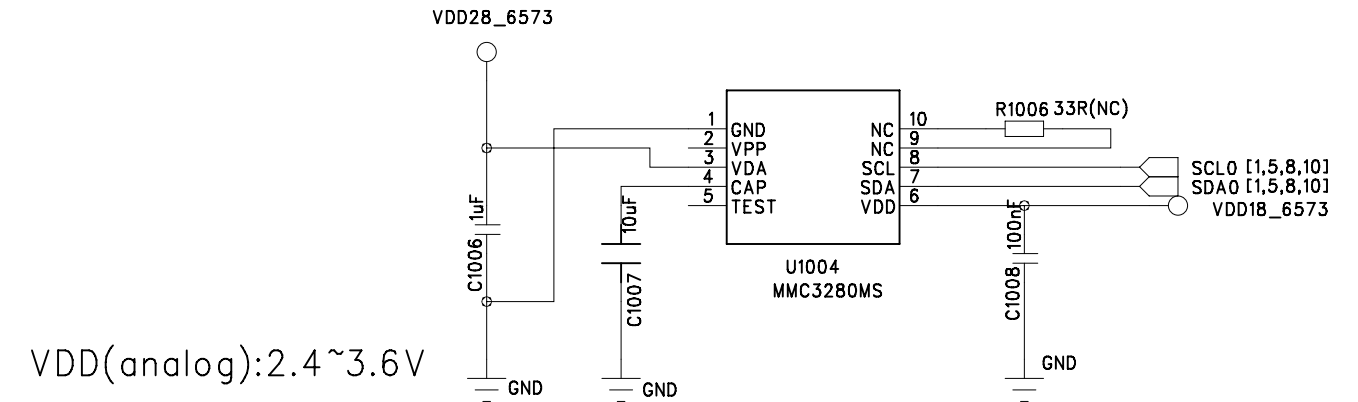
G-SENSOR



I2C address:0x08(write:0x10;read:0x11)

BMA220: VDDA/VDDD 1.62~1.98V; VDDIO:1.62~3.6V
 BMA222: VDD:1.62~3.6V;VDDIO:1.2~3.6V

M-SENSOR



VDD(analog):2.4~3.6V
 VID(digital):1.65~VDD

I2C address:0x30(write:0x18;read:0x19)

D

D

C

C

B

B

A

A

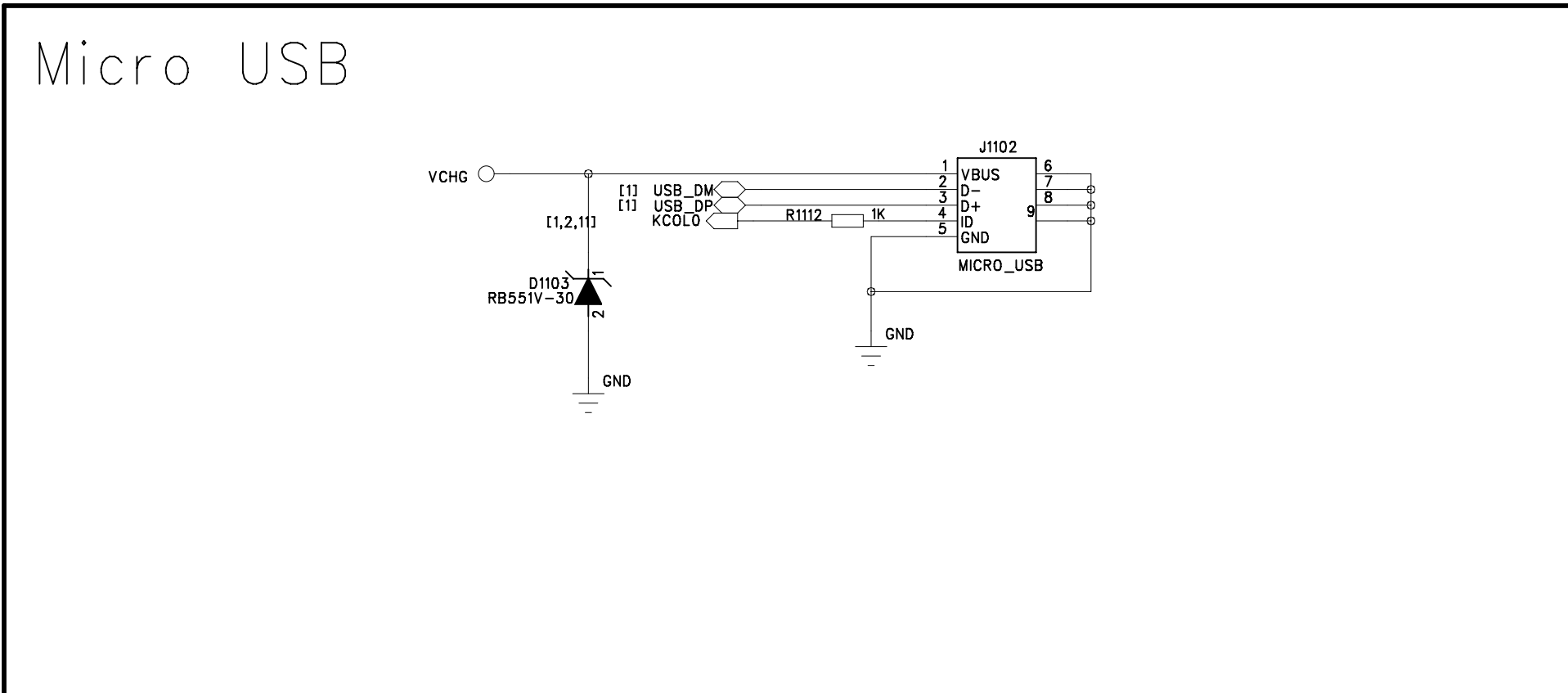
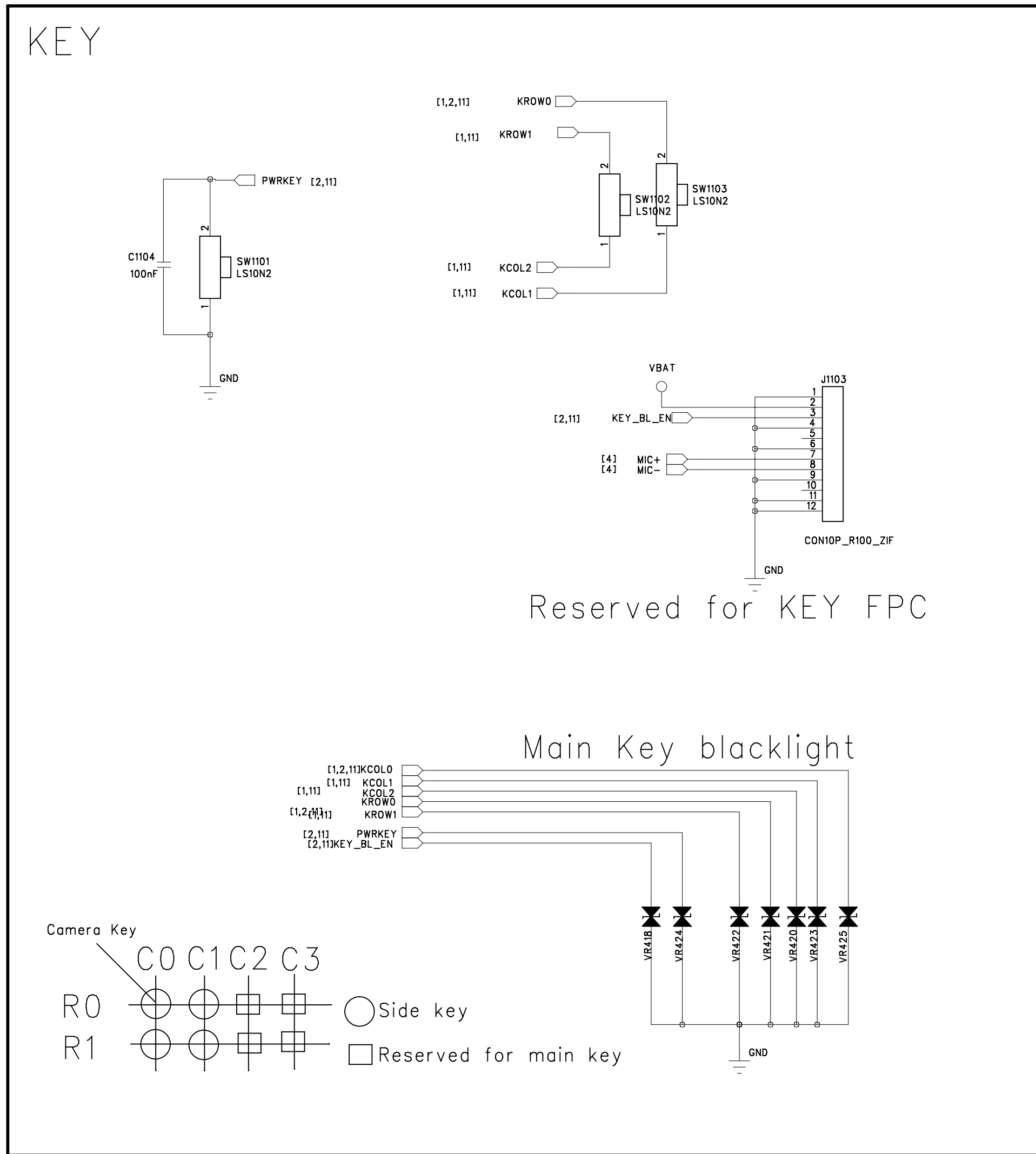
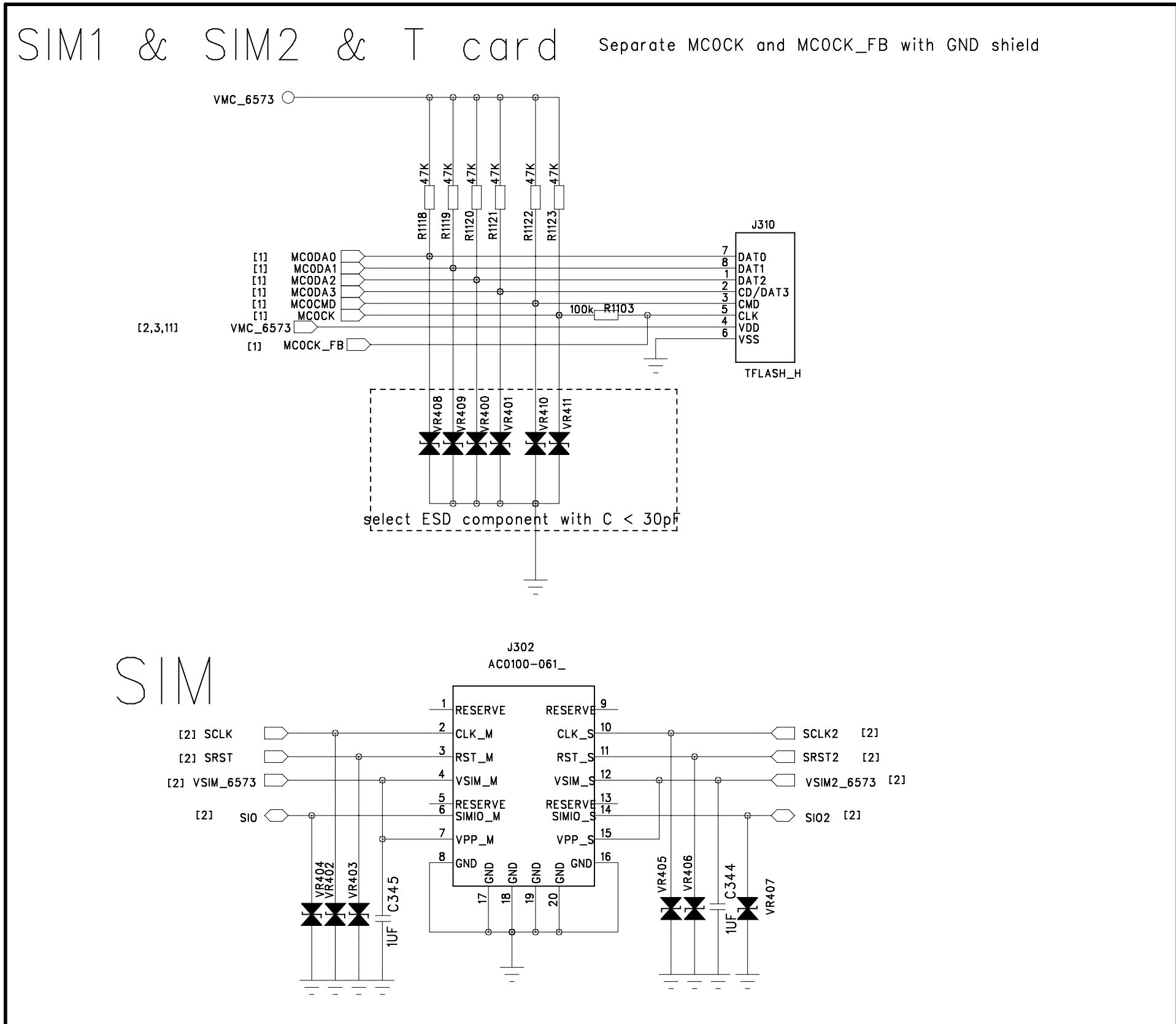
COMPANY: SIMCOM

TITLE: MT6573

DRAWN: Zhong Liang	DATED: 2011.10.10
CHECKED: <Checked By>	DATED: <Checked Date>
QUALITY CONTROL: <QC By>	DATED: 2010
RELEASED: <Released By>	DATED: 2010.12

CODE: Code	SIZE: A2	DRAWING NO: 11800	REV: V1.01
SCALE: <Scale>			SHEET: 10 OF 12

REVISION RECORD			
LTR	ECO NO:	APPROVED:	DATE:



COMPANY: SIMCOM			
TITLE: MT6573			
DRAWN: Zhong Liang	DATED: 2011.10.10	CODE: Code	SIZE: A2
CHECKED: <Checked By>	DATED: <Checked Date>	DRAWING NO: 11800	REV: V1.01
QUALITY CONTROL: <QC By>	DATED: 2010	SCALE: <Scale>	
RELEASED: <Released By>	DATED: 2010.12	SHEET: 11 of 12	

6

5

4

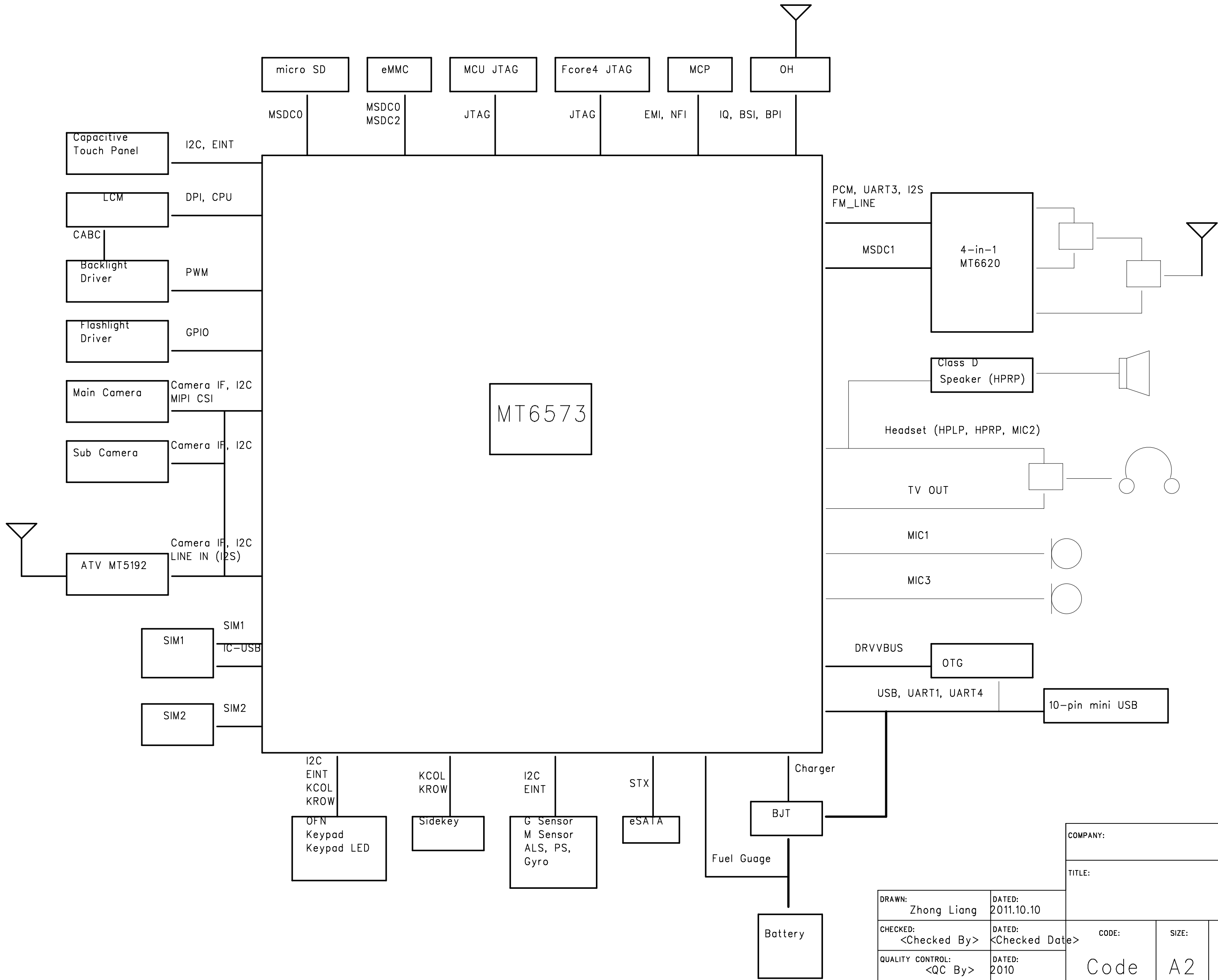
3

2

1

REVISION RECORD			
LTR	ECO NO:	APPROVED:	DATE:

MT6573 Phone w DDR1



COMPANY: SIMCOM			
TITLE: MT6573			
CODE: Code	SIZE: A2	DRAWING NO: 11800	REV: V1.01
SCALE: <Scale>			SHEET: 12 OF 12

DRAWN: Zhong Liang	DATED: 2011.10.10
CHECKED: <Checked By>	DATED: <Checked Date>
QUALITY CONTROL: <QC By>	DATED: 2010
RELEASED: <Released By>	DATED: 2010.12

D

D

C

C

B

B

A

A